



US00D455096S

(12) **United States Design Patent**  
**Wilkinson**

(10) **Patent No.:** **US D455,096 S**

(45) **Date of Patent:** **\*\* Apr. 2, 2002**

(54) **BODY JEWELRY—TURBO**

(75) Inventor: **William R. Wilkinson**, Scottsdale, AZ  
(US)

(73) Assignee: **JJK Industries, L.P.**, Austin, TX (US)

(\*\*) Term: **14 Years**

(21) Appl. No.: **29/132,213**

(22) Filed: **Nov. 1, 2000**

(51) **LOC (7) Cl.** ..... **11-01**

(52) **U.S. Cl.** ..... **D11/1**

(58) **Field of Search** ..... D11/1, 2, 41-78,  
D11/81, 86, 88, 99, 103, 226; 63/1.1, 11-38;  
D24/214, 215; D10/84; 600/38; D19/62

(56) **References Cited**

**U.S. PATENT DOCUMENTS**

D43,807 S	*	4/1913	Sapar	.....	D24/214
D206,346 S	*	11/1966	Steinman	.....	D11/75
3,828,577 A	*	8/1974	Haynes	.....	63/33
D270,280 S	*	8/1983	Epstein	.....	D24/214

D270,818 S	*	10/1983	Simons	.....	D10/84
4,625,526 A	*	12/1986	Milawski	.....	63/14.1
D447,715 S	*	9/2001	Wilkinson	.....	D11/1

\* cited by examiner

*Primary Examiner*—Ralf Seifert

(74) *Attorney, Agent, or Firm*—Charles J. Rogers

(57) **CLAIM**

I claim the ornamental design for body jewelry—turbo, as shown.

**DESCRIPTION**

FIG. 1 is a perspective view of body jewelry—turbo showing my new design;

FIG. 2 is a top plan view;

FIG. 3 is a bottom plan view;

FIG. 4 is a left side elevational view;

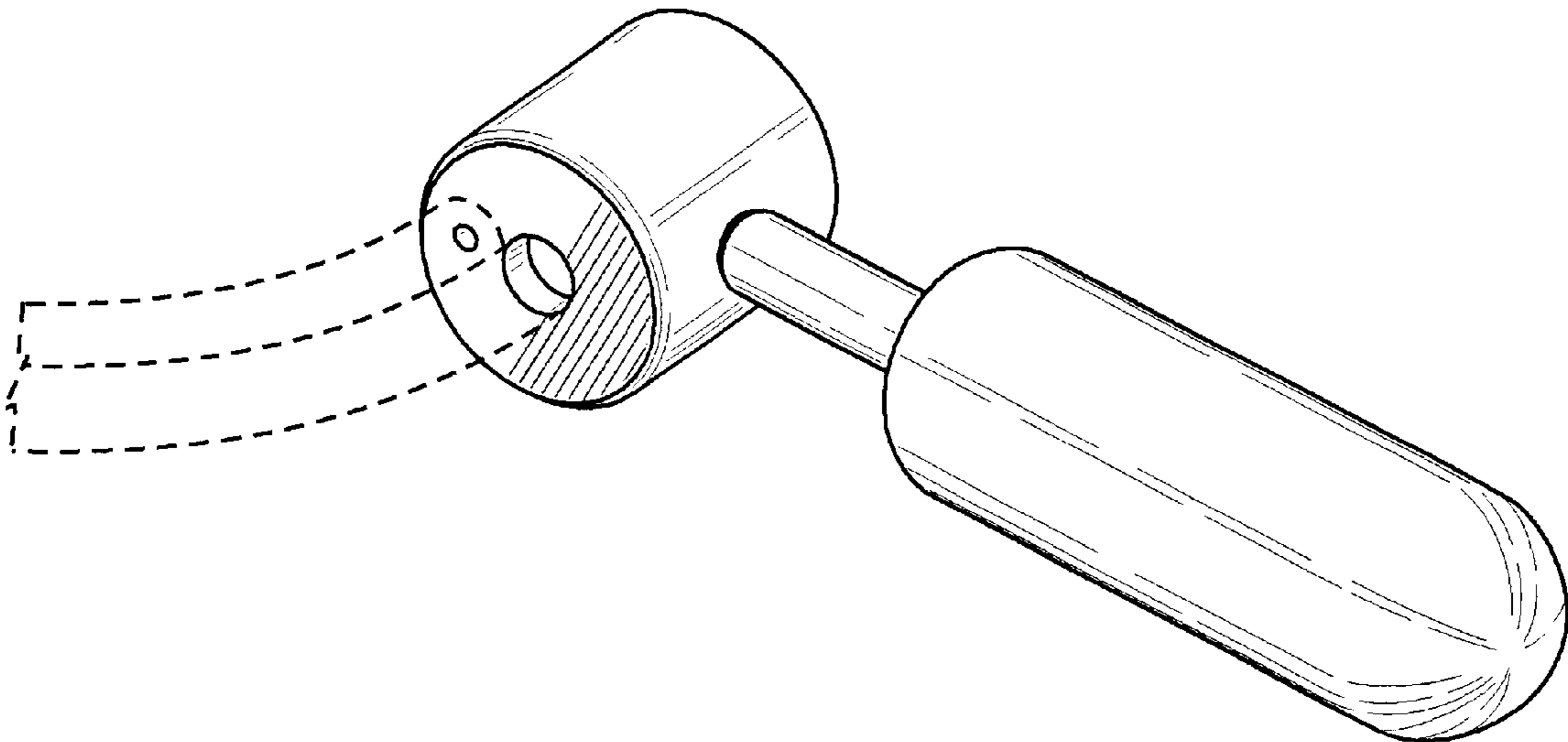
FIG. 5 is a right side elevational view;

FIG. 6 is a front elevational view; and,

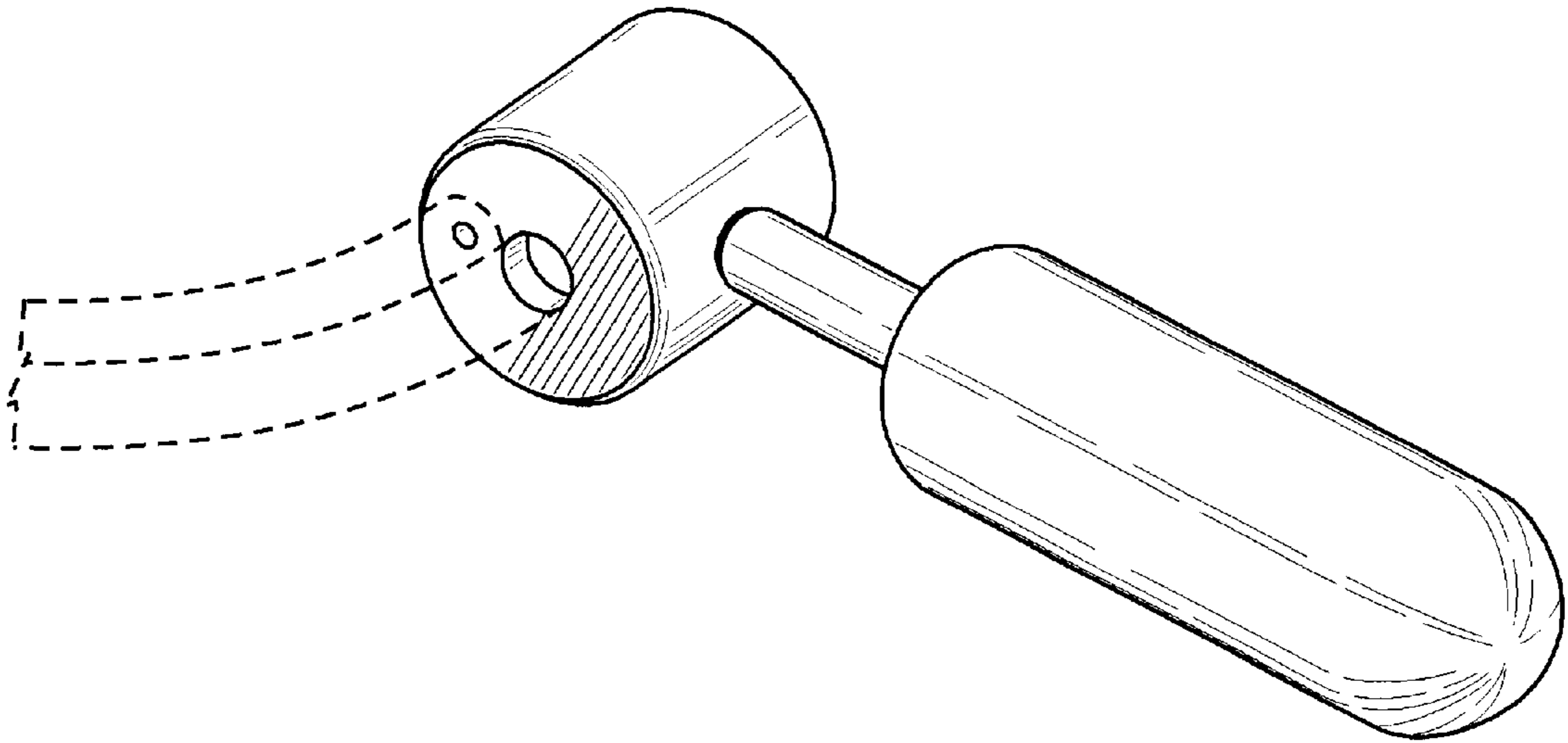
FIG. 7 is a rear elevational view.

It being understood that the broken lines are for illustrative purposes only.

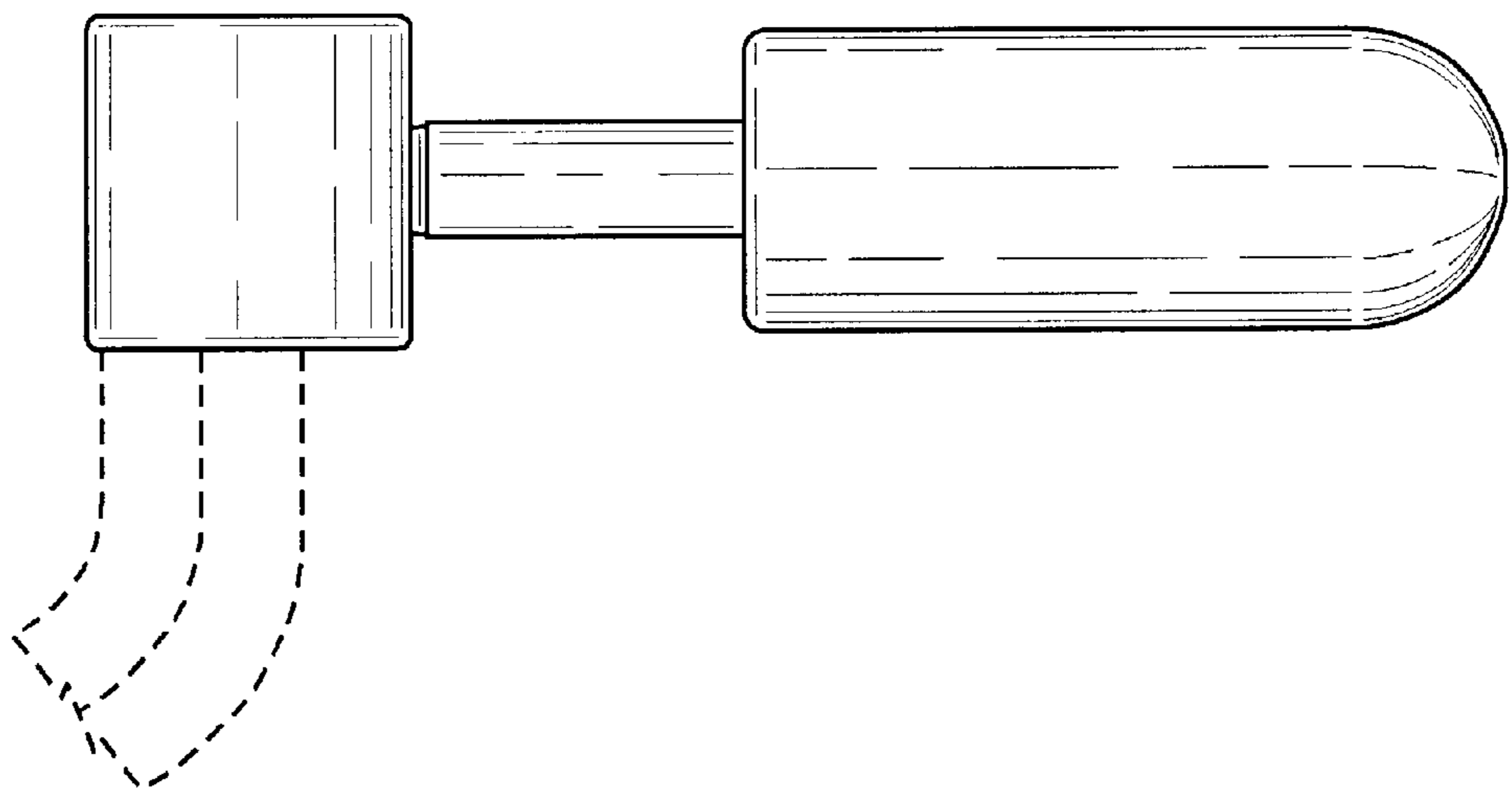
**1 Claim, 3 Drawing Sheets**



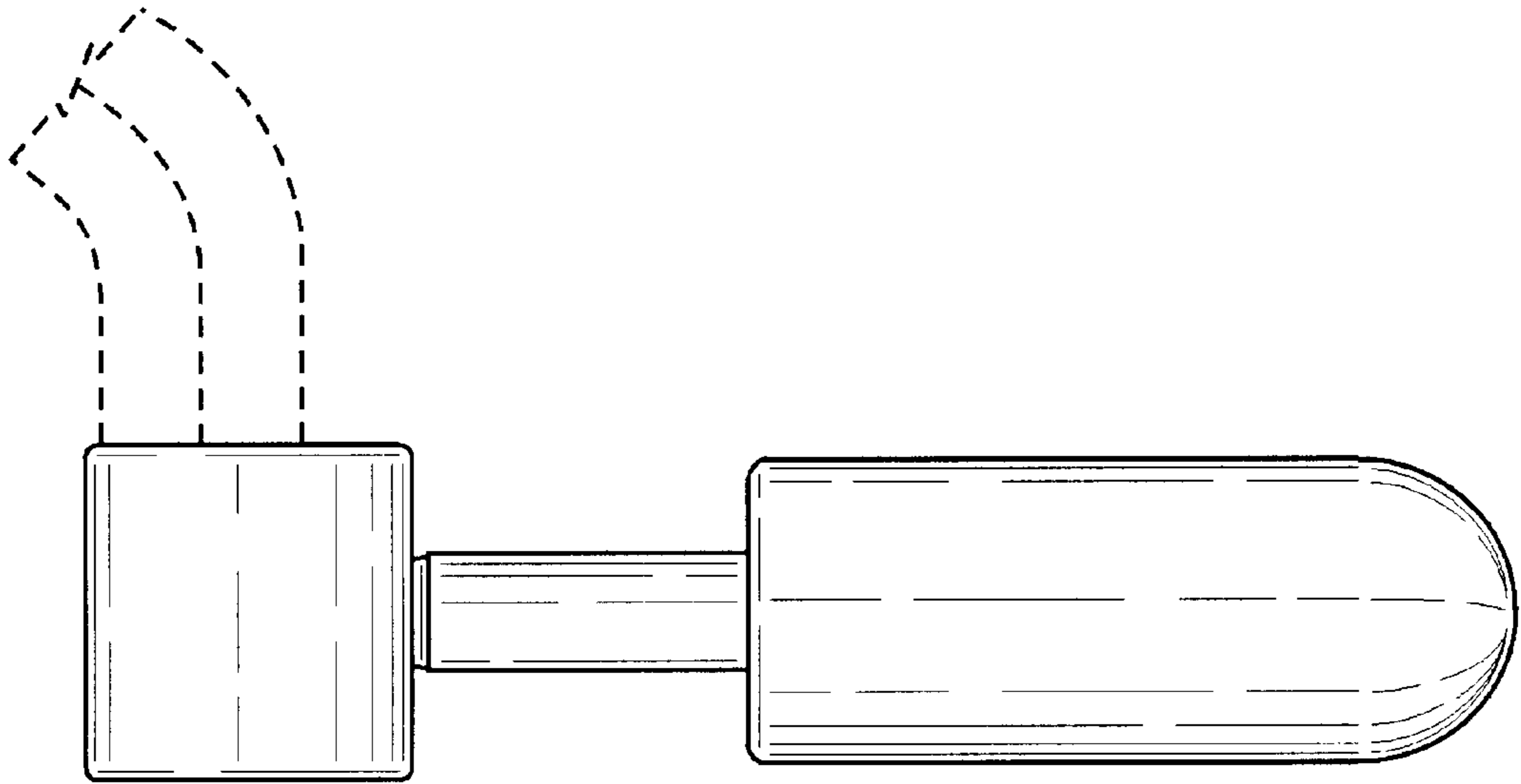
**FIG. 1**



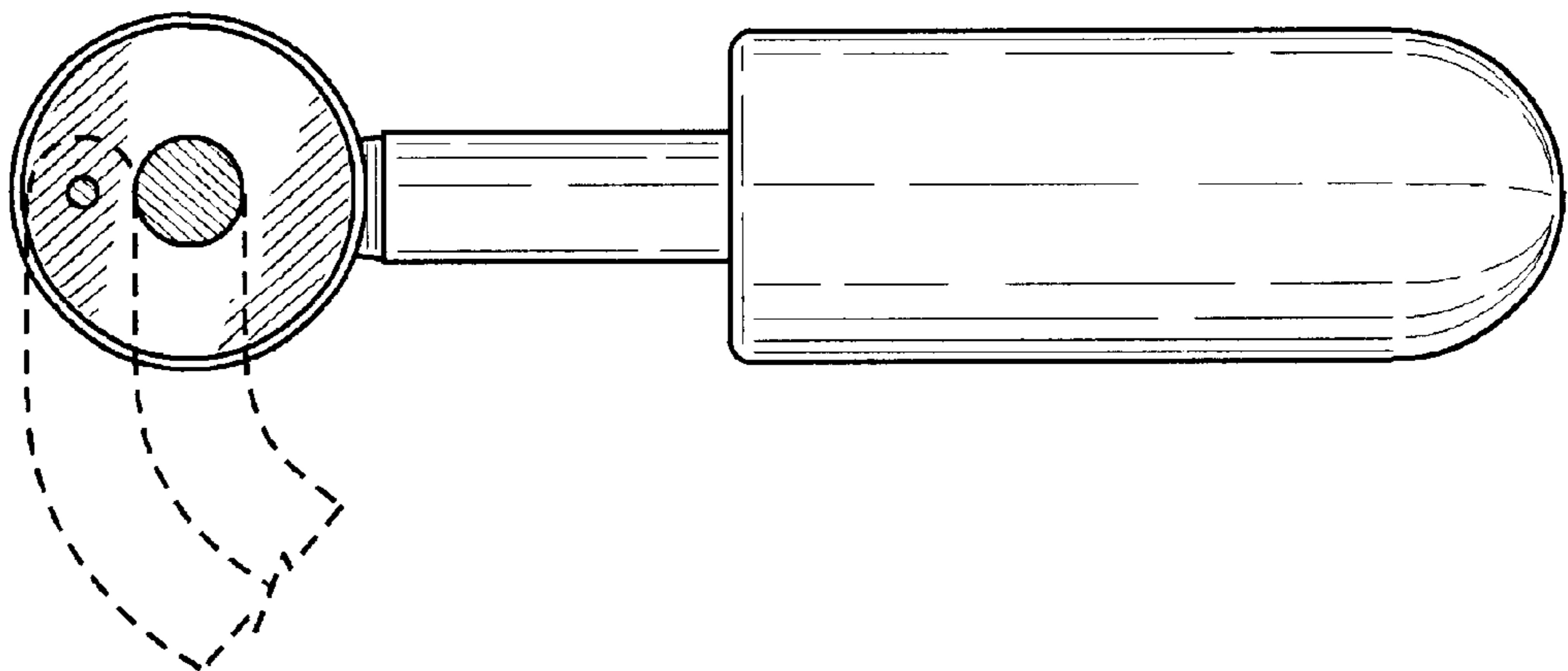
**FIG. 2**



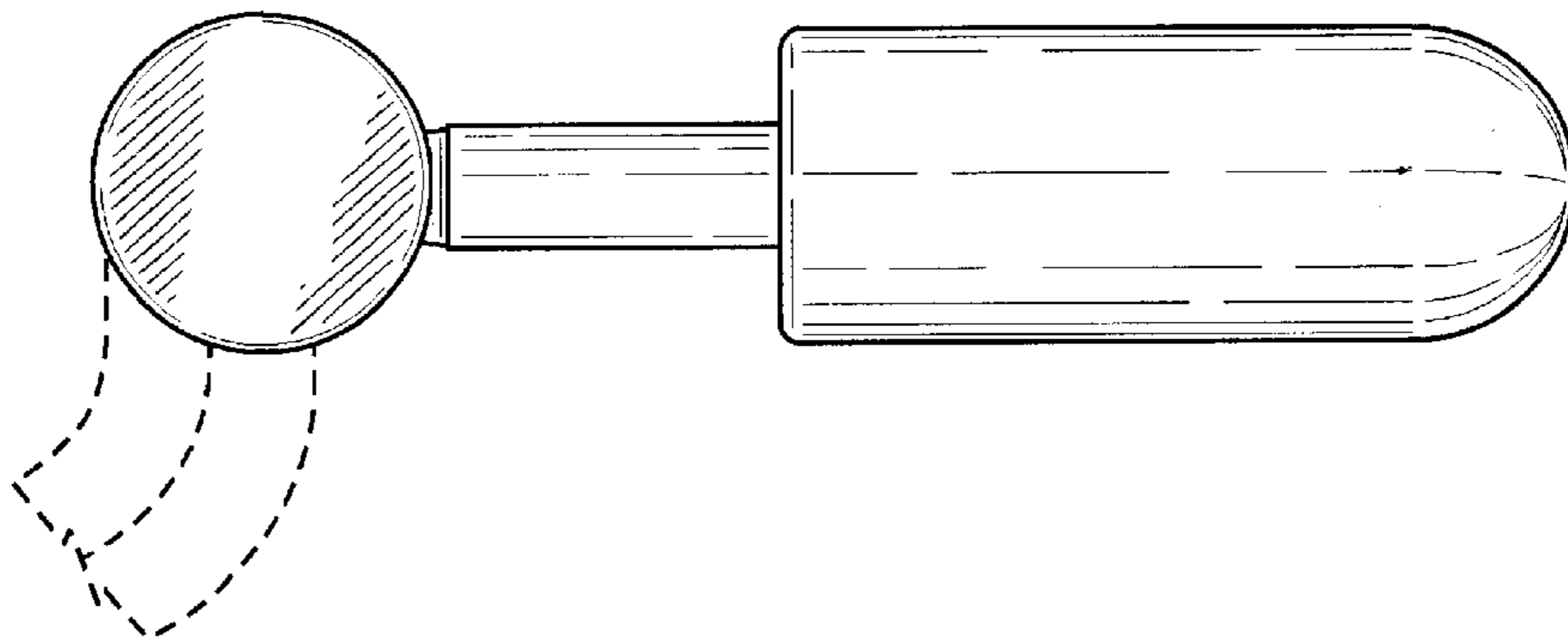
**FIG. 3**



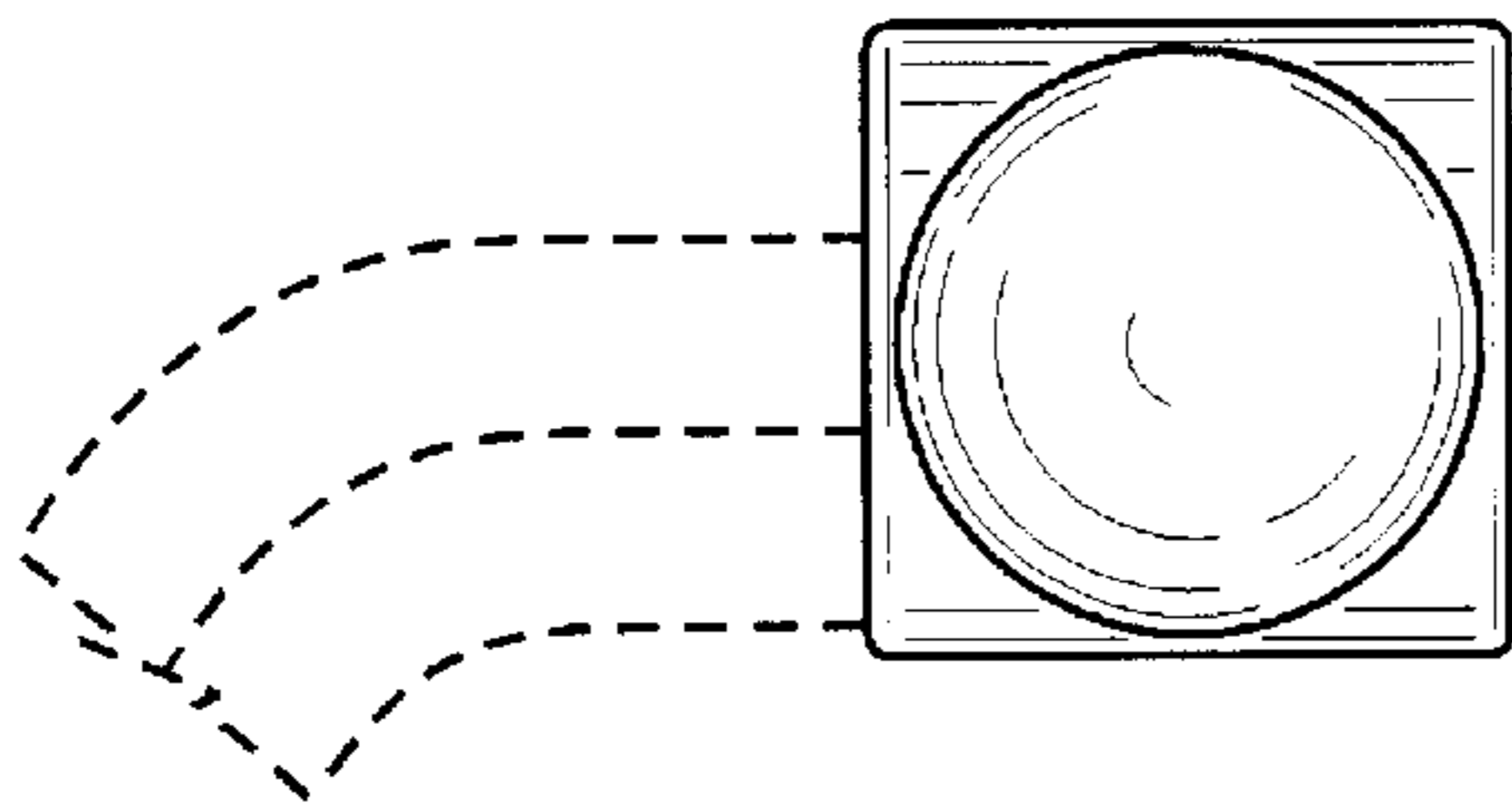
**FIG. 4**



**FIG. 5**



**FIG. 6**



**FIG. 7**

