



US00D455095S

(12) **United States Design Patent**
Carr

(10) **Patent No.:** **US D455,095 S**

(45) **Date of Patent:** **** Apr. 2, 2002**

(54) **TAXI STOPPER**

(76) **Inventor:** **Dwayne L. Carr**, 1030 Harvest Moon
La., Banning, CA (US) 92220

(**) **Term:** **14 Years**

(21) **Appl. No.:** **29/139,809**

(22) **Filed:** **Apr. 6, 2001**

(51) **LOC (7) Cl.** **10-05**

(52) **U.S. Cl.** **D10/114**

(58) **Field of Search** D10/109, 111,
D10/114, 121; D20/10, 40, 41; 40/124.01,
124.19, 538, 586, 584, 593, 606, 607, 611,
612

(56) **References Cited**

U.S. PATENT DOCUMENTS

D306,706 S * 3/1990 Hansel D10/114
D315,695 S * 3/1991 DeCaro D10/114
D331,718 S * 12/1992 Walker D10/114

D396,821 S * 8/1998 Enloe D10/109
D400,462 S * 11/1998 Ivanovic D10/114
D414,516 S * 9/1999 Lopez D10/109
D423,391 S * 4/2000 Hansen D10/114

* cited by examiner

Primary Examiner—Marcus A. Jackson

(57) **CLAIM**

The ornamental design for a taxi stopper, as shown and described.

DESCRIPTION

FIG. 1 is a front elevational view of the taxi stopper illustrating my design.

FIG. 2 is a rear elevational view thereof.

FIG. 3 is a right view thereof.

FIG. 4 is a left view thereof.

FIG. 5 is a top plan view thereof; and,

FIG. 6 is a bottom plan view thereof.

1 Claim, 3 Drawing Sheets

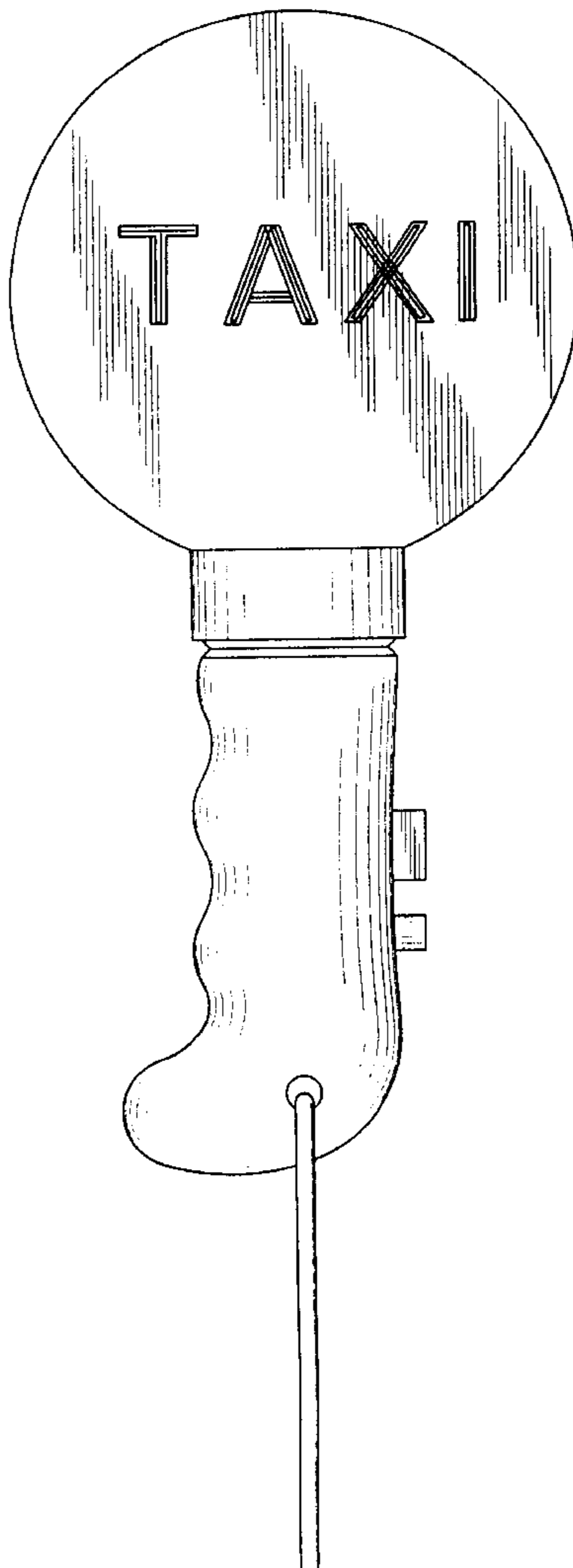


FIG. 1

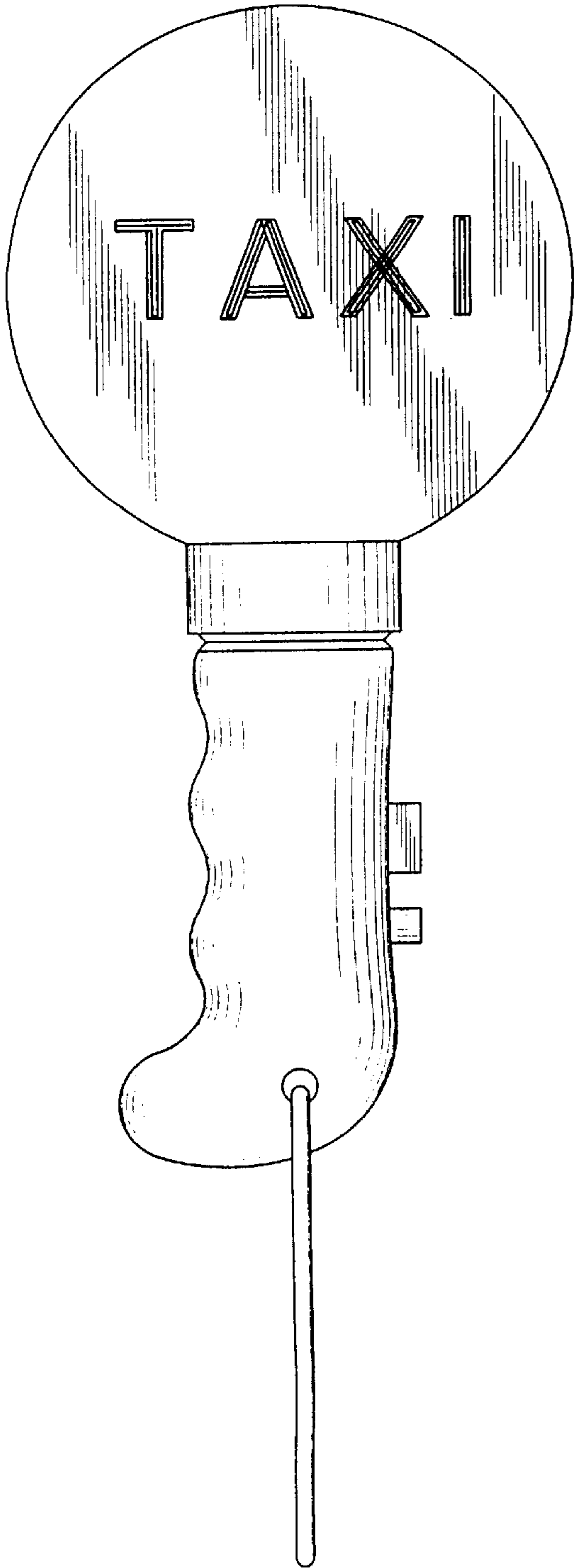


FIG. 2

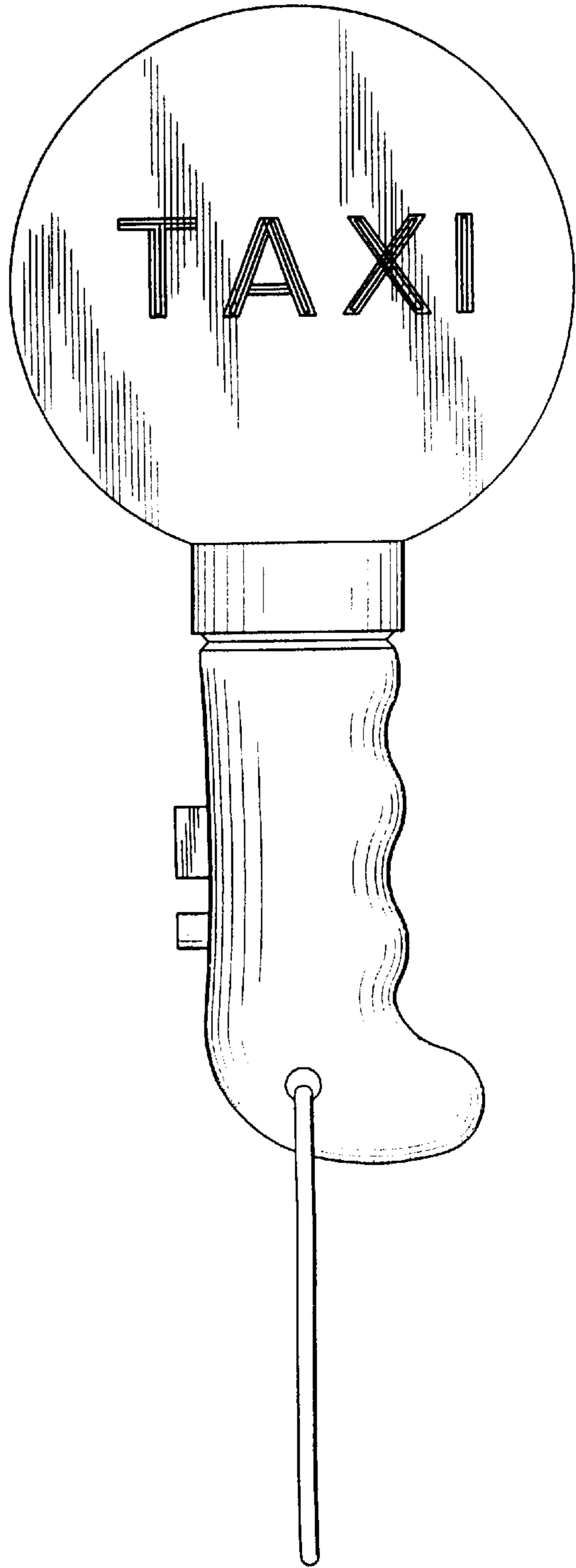


FIG. 3

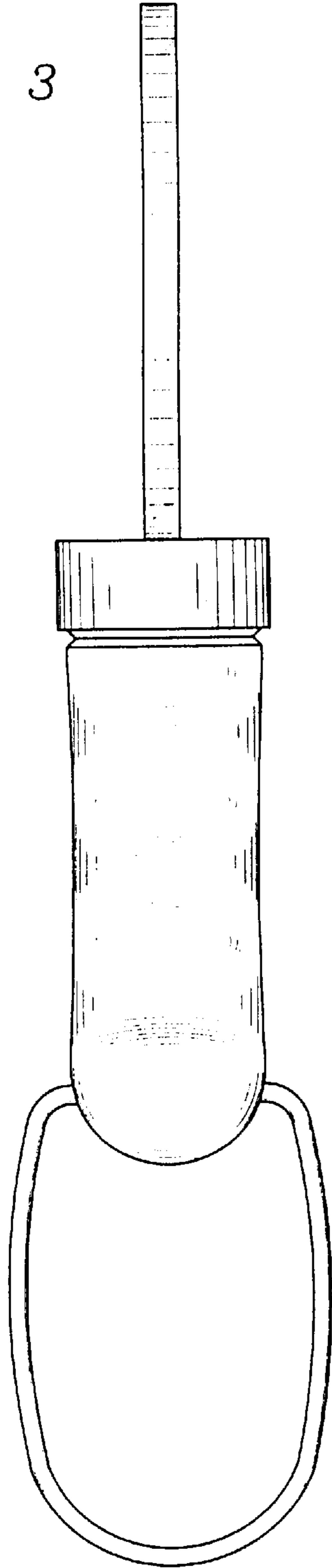


FIG. 4

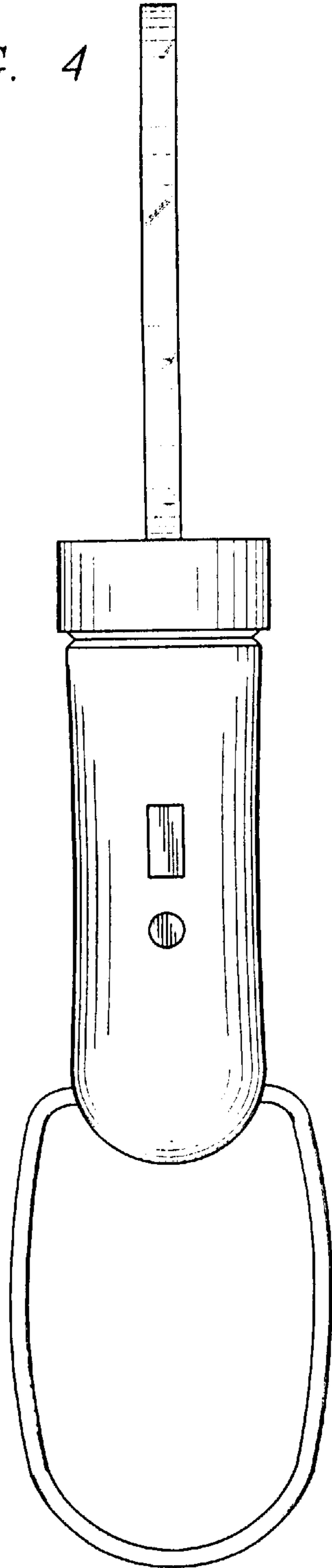


FIG. 5

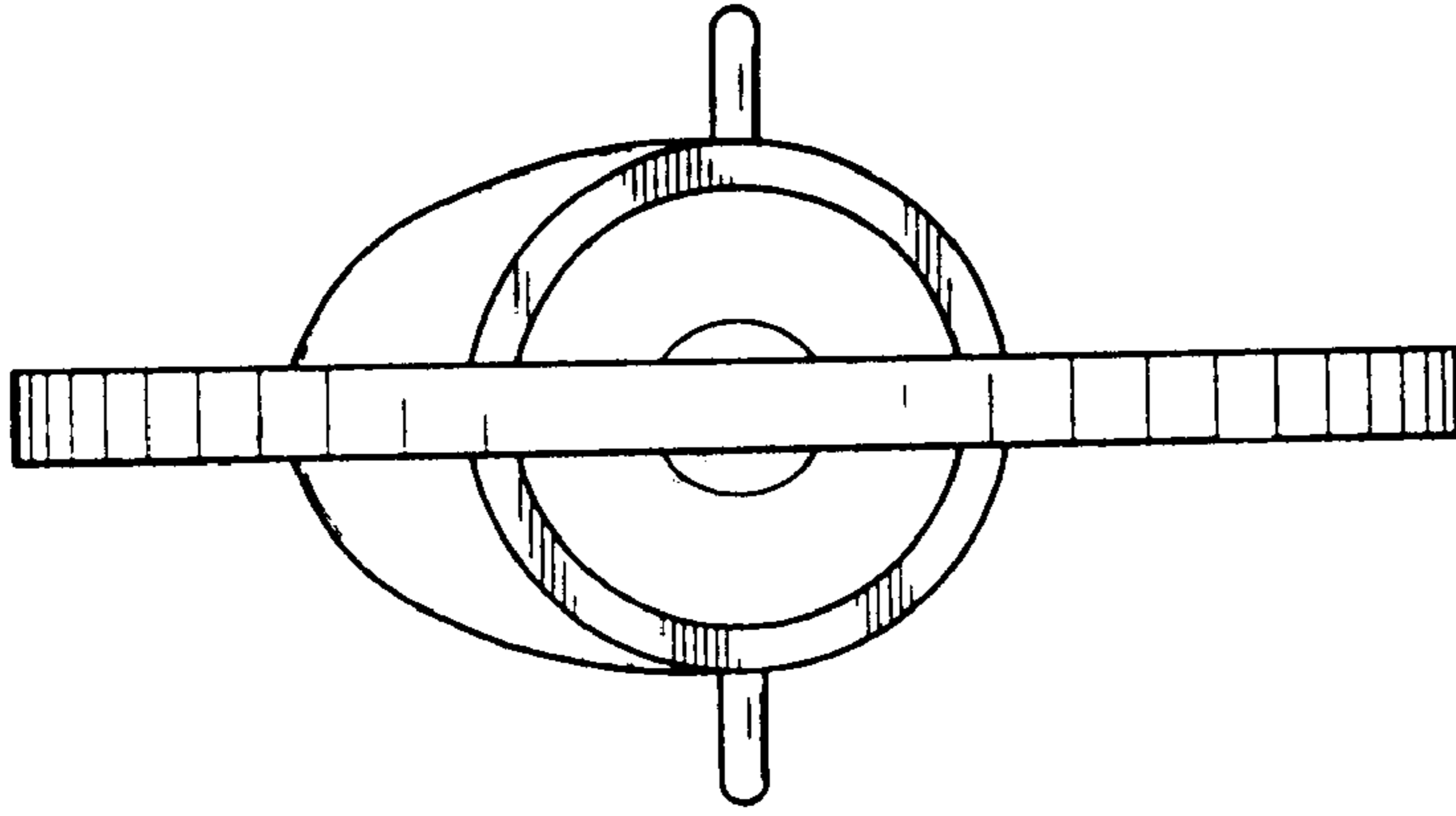


FIG. 6

