



US00D455089S

(12) **United States Design Patent**
Mimoto

(10) **Patent No.:** **US D455,089 S**

(45) **Date of Patent:** **** Apr. 2, 2002**

(54) **ELECTRONIC SCALE WITH PRINTER**

(75) Inventor: **Osamu Mimoto**, Sagamihara (JP)

(73) Assignee: **Toshiba Tec Kabushiki Kaisha** (JP)

(**) Term: **14 Years**

(21) Appl. No.: **29/139,980**

(22) Filed: **Apr. 10, 2001**

(30) **Foreign Application Priority Data**

Oct. 12, 2000 (JP) 2000-028772

(51) **LOC (7) Cl.** **10-04**

(52) **U.S. Cl.** **D10/91**

(58) **Field of Search** D10/91; 177/210 C,
177/238-243, DIG. 3

(56) **References Cited**

U.S. PATENT DOCUMENTS

D367,620 S * 3/1996 Sassoli D10/91
D420,608 S * 2/2000 Lee D10/91

* cited by examiner

Primary Examiner—Antoine Duval Davis

(74) *Attorney, Agent, or Firm*—Morrison Law Firm

(57) **CLAIM**

The ornamental design for an electronic scale with printer, as shown and described.

DESCRIPTION

FIG. 1 is a perspective view of an electronic scale with printer showing a new design.

FIG. 2 is a front elevational view of the new design.

FIG. 3 is a rear elevational view of the new design.

FIG. 4 is a left elevational view of the new design.

FIG. 5 is a right elevational view of the new design.

FIG. 6 is a top plan view of the new design.

FIG. 7 is a bottom plan view of the new design.

FIG. 8 is an end view taken from line A—A of FIG. 7.

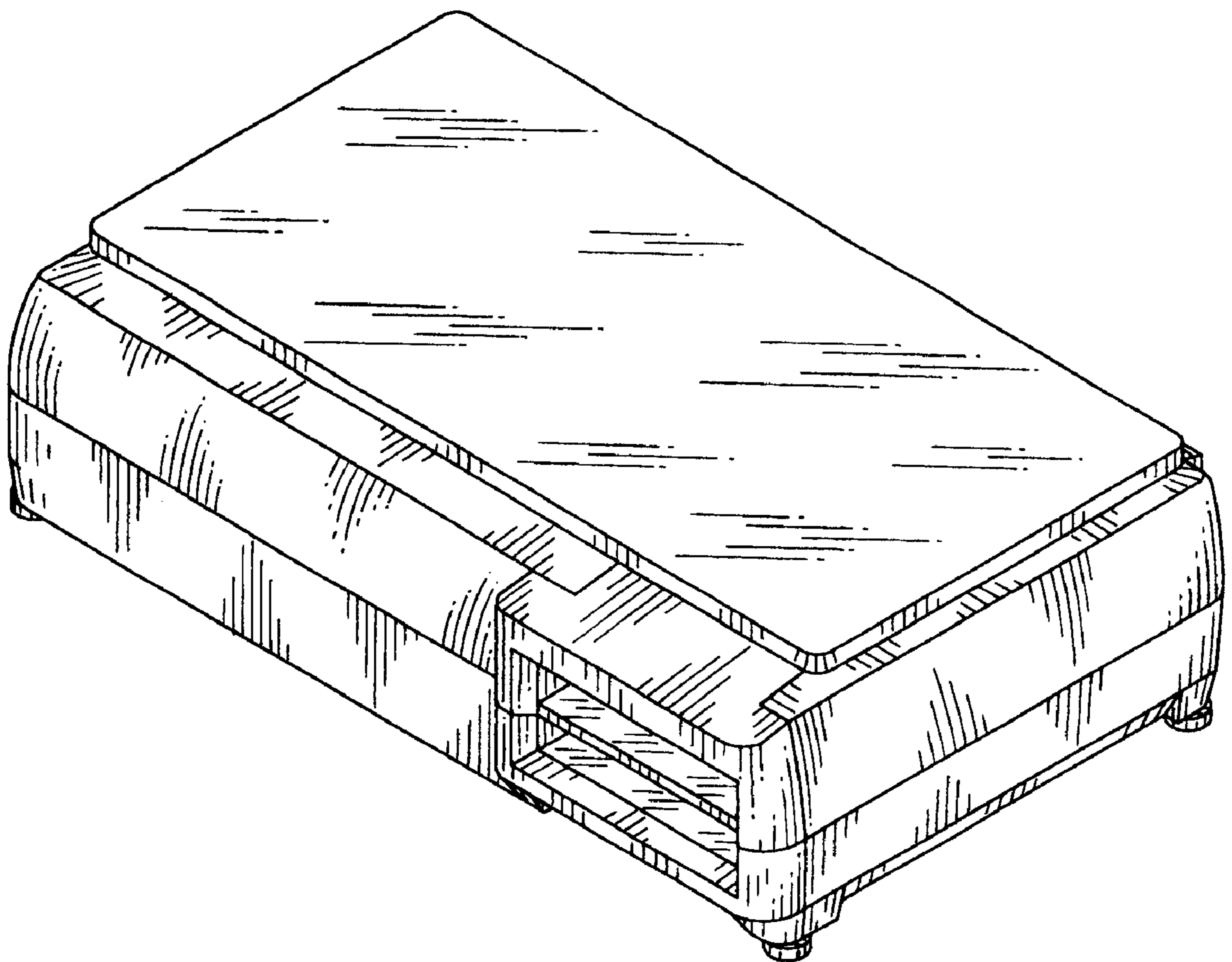
FIG. 9 is an end view taken from line B—B of FIG. 7.

FIG. 10 is a rear elevational view of the new design with indications; and,

FIG. 11 is a perspective view of the new design with indications and a data entry apparatus.

The broken line showing is for illustrative purposes only and forms no part of the claimed design.

1 Claim, 5 Drawing Sheets



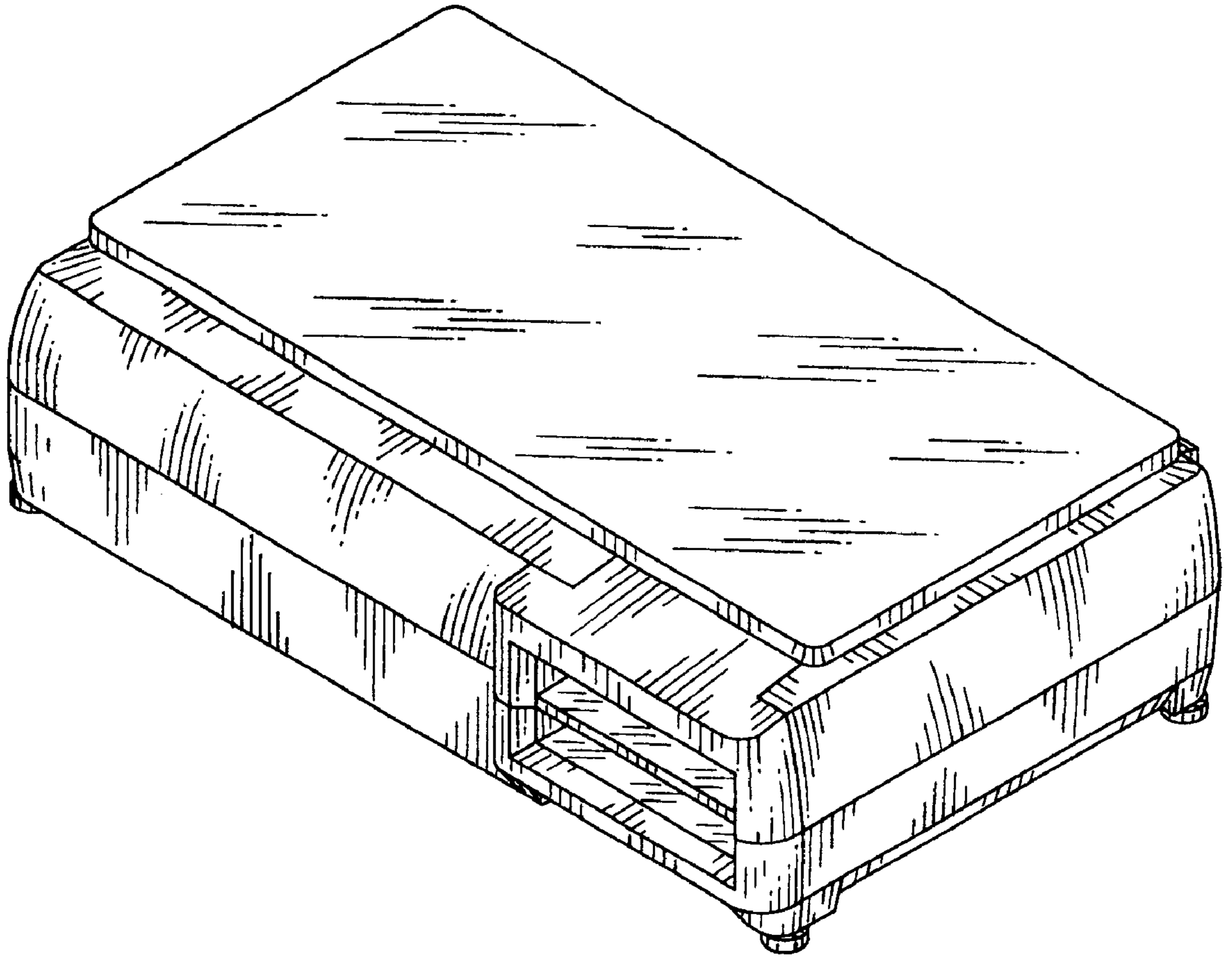


FIG. 1

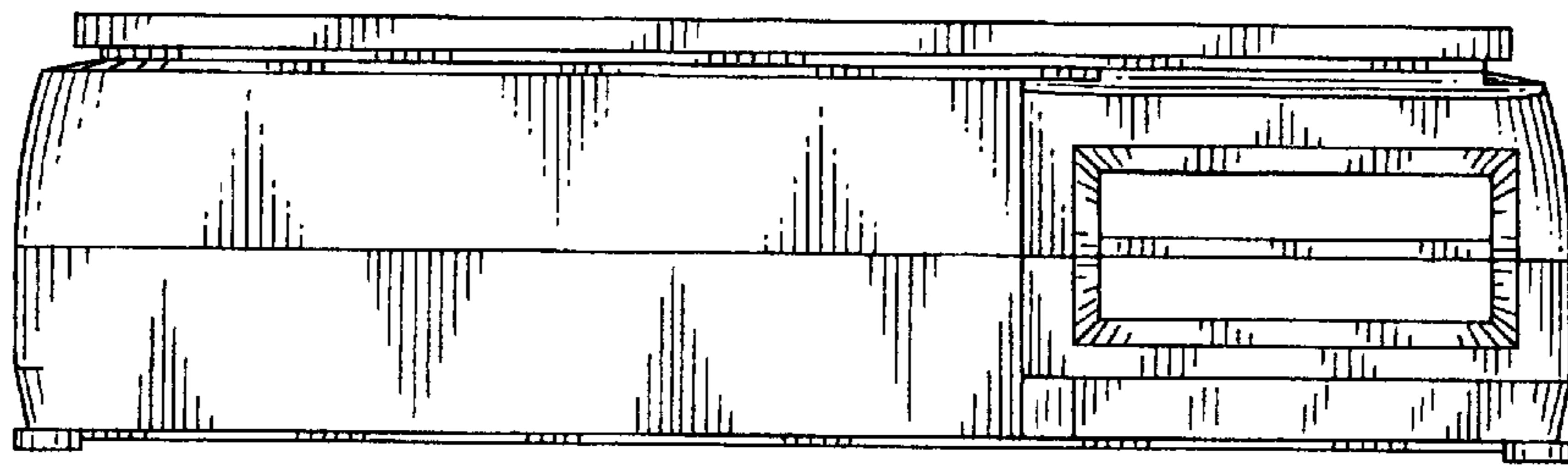


FIG. 2

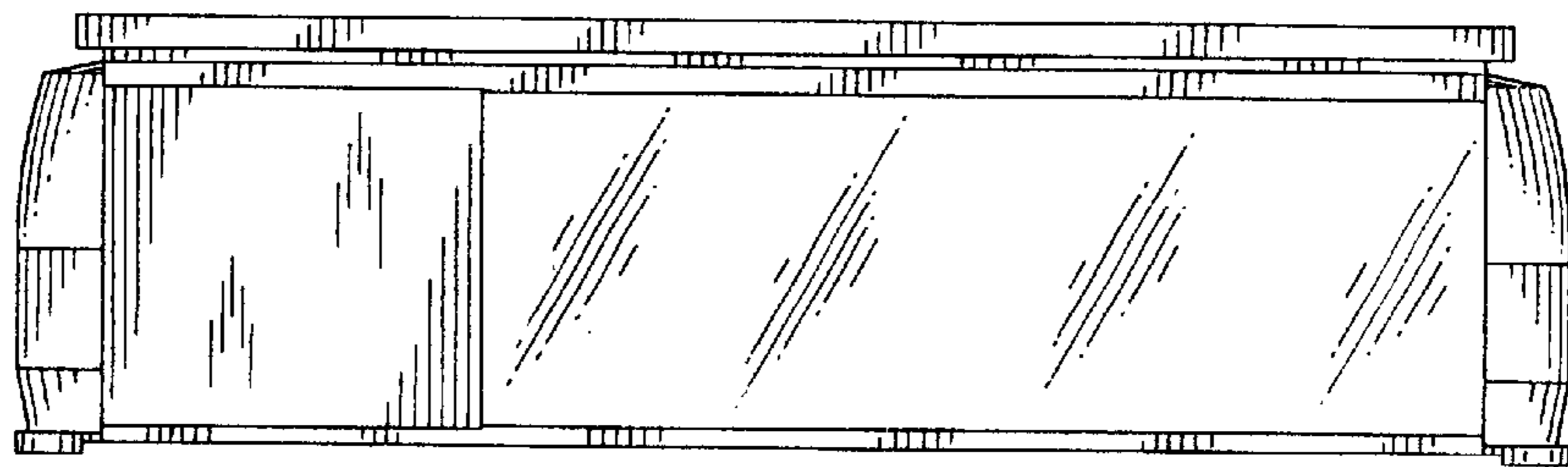


FIG. 3

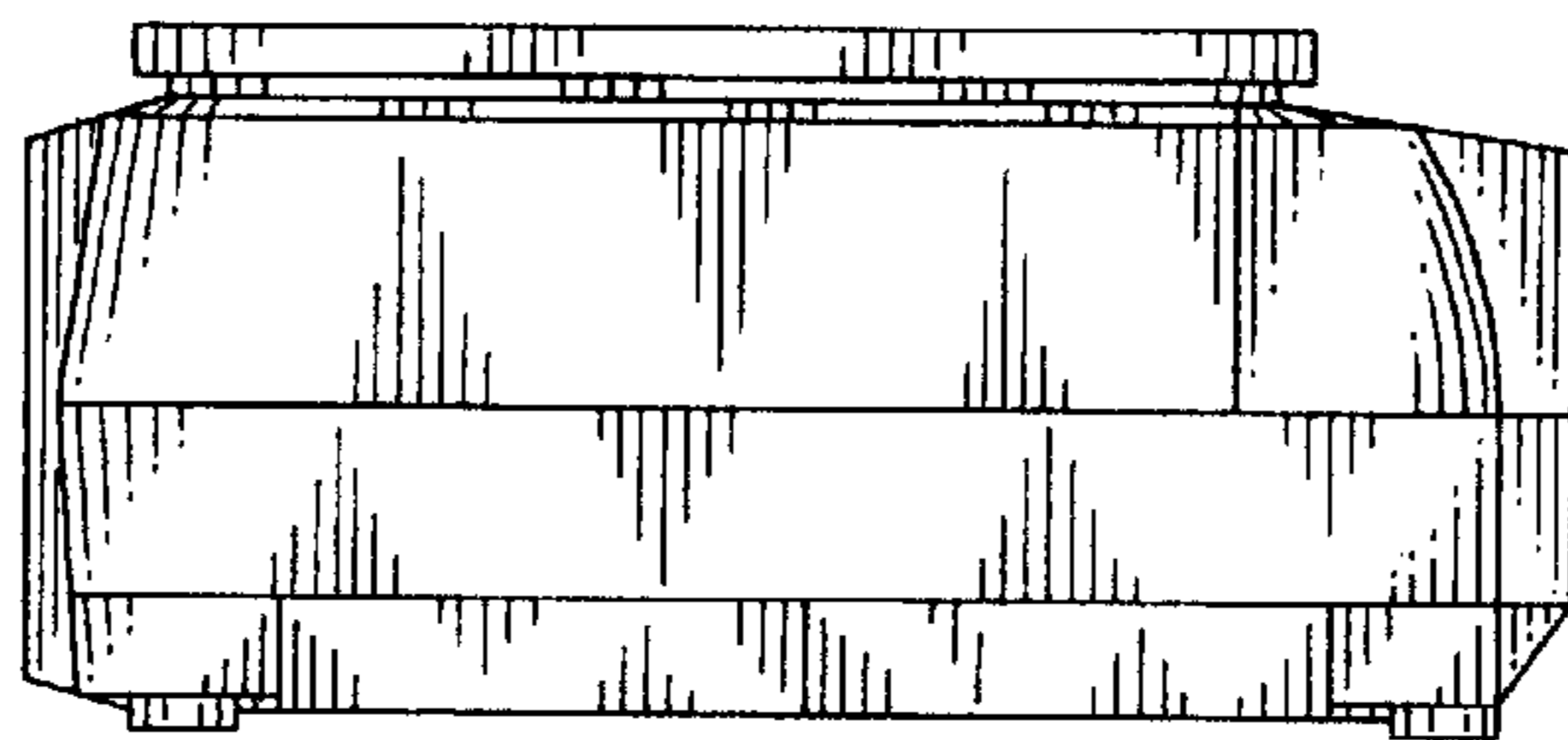


FIG. 4

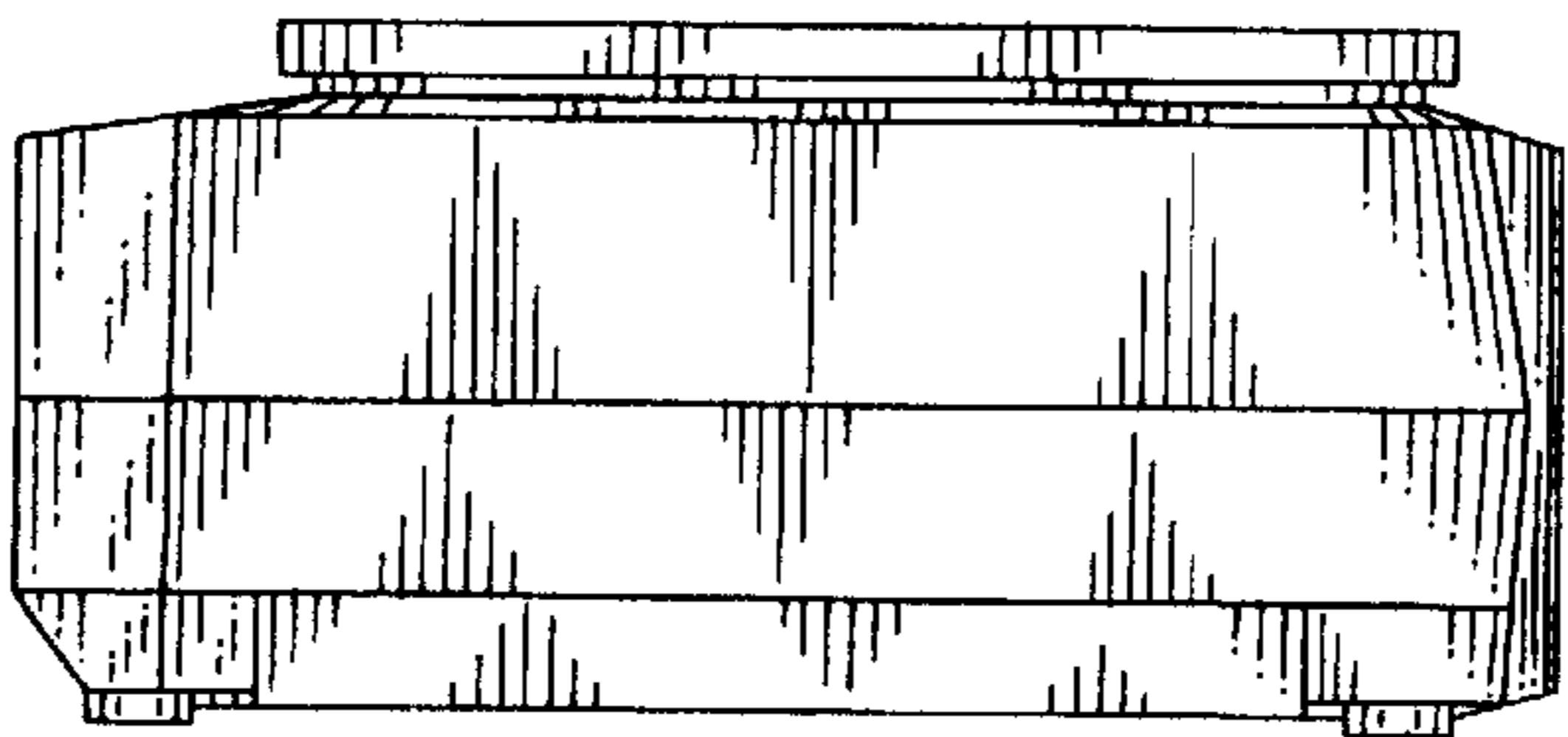


FIG. 5

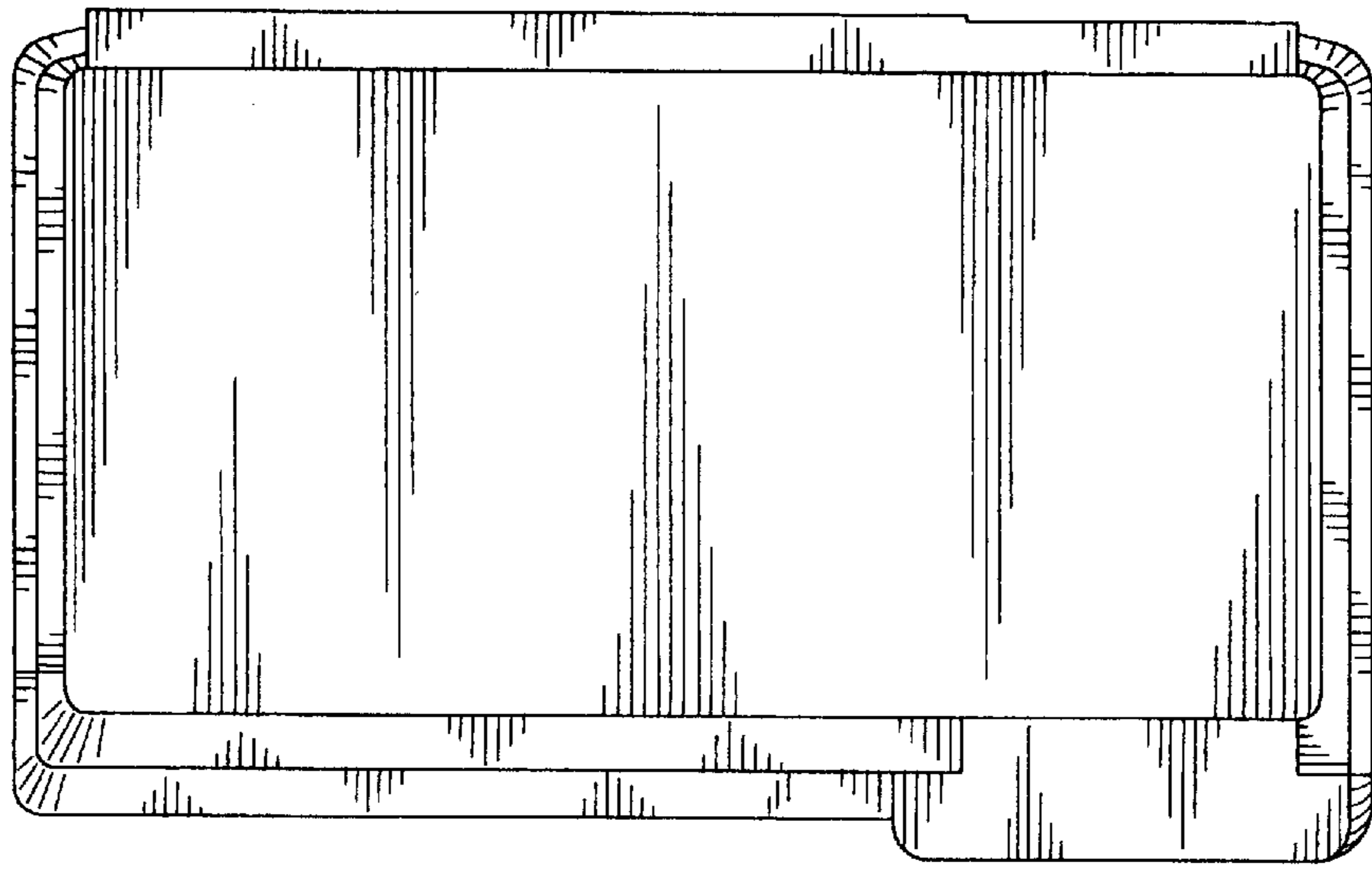


FIG. 6

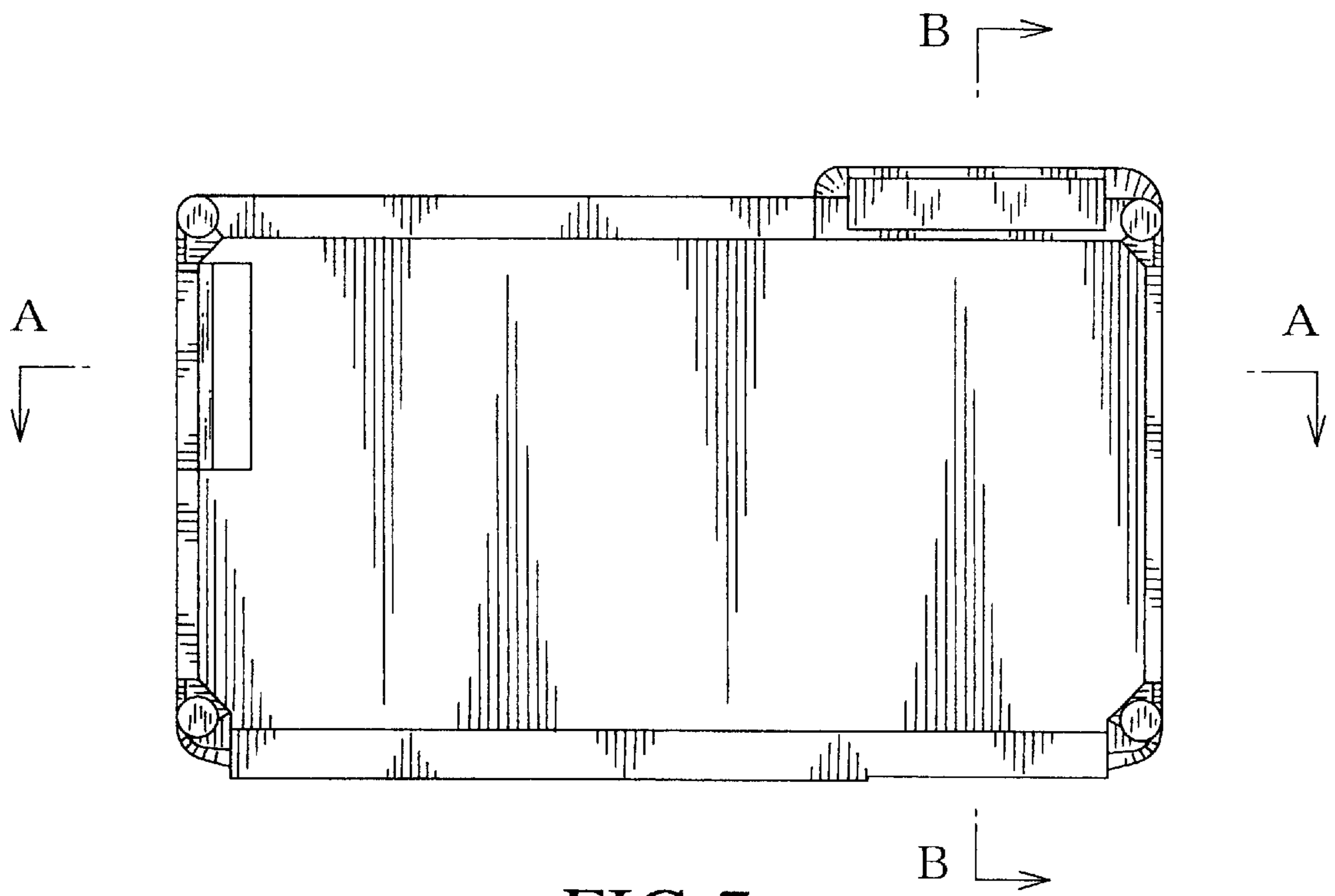


FIG. 7

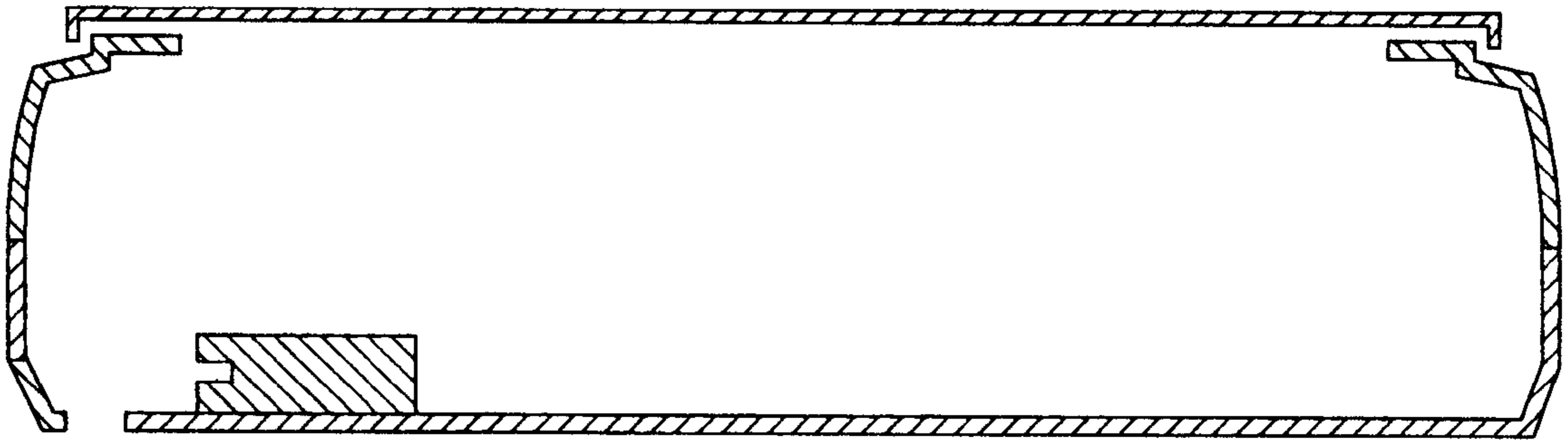


FIG. 8

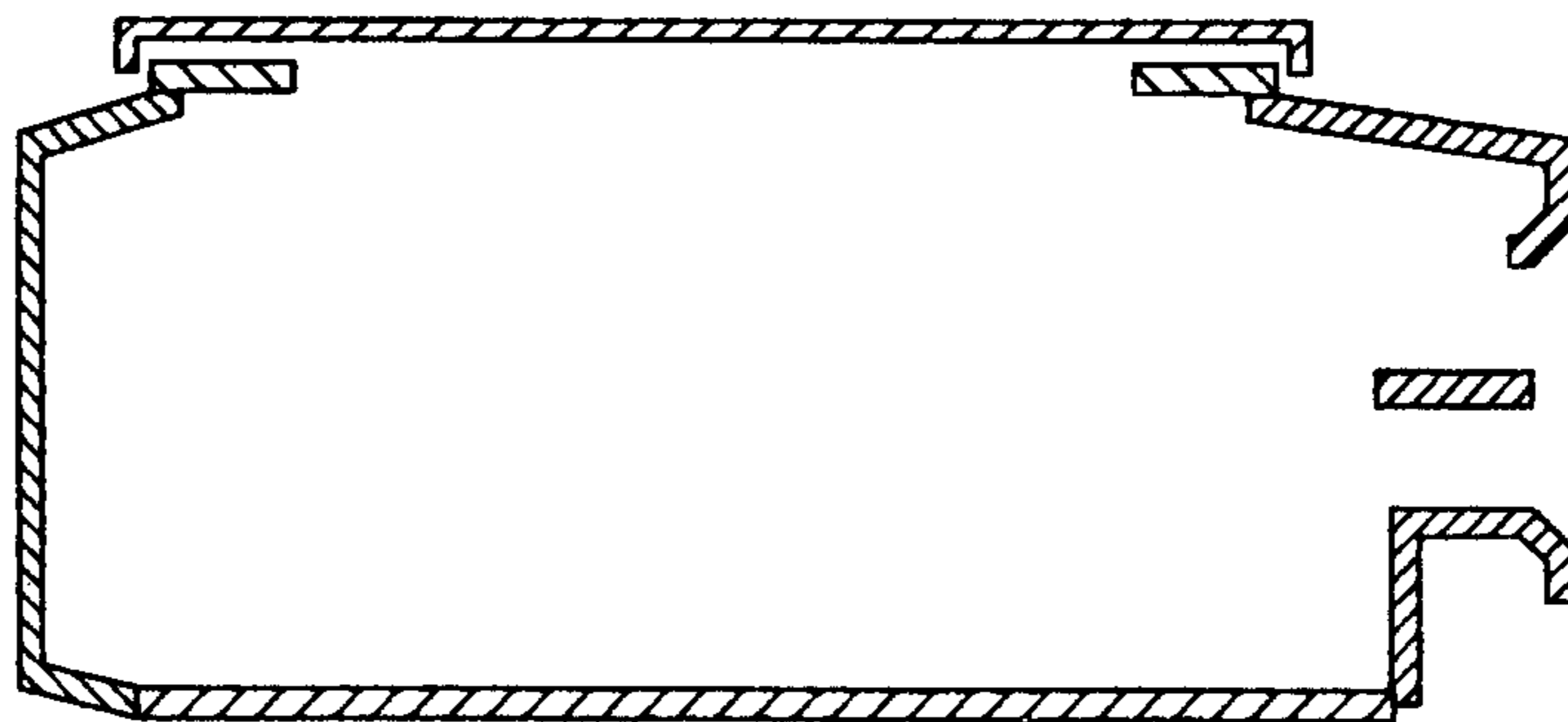


FIG. 9

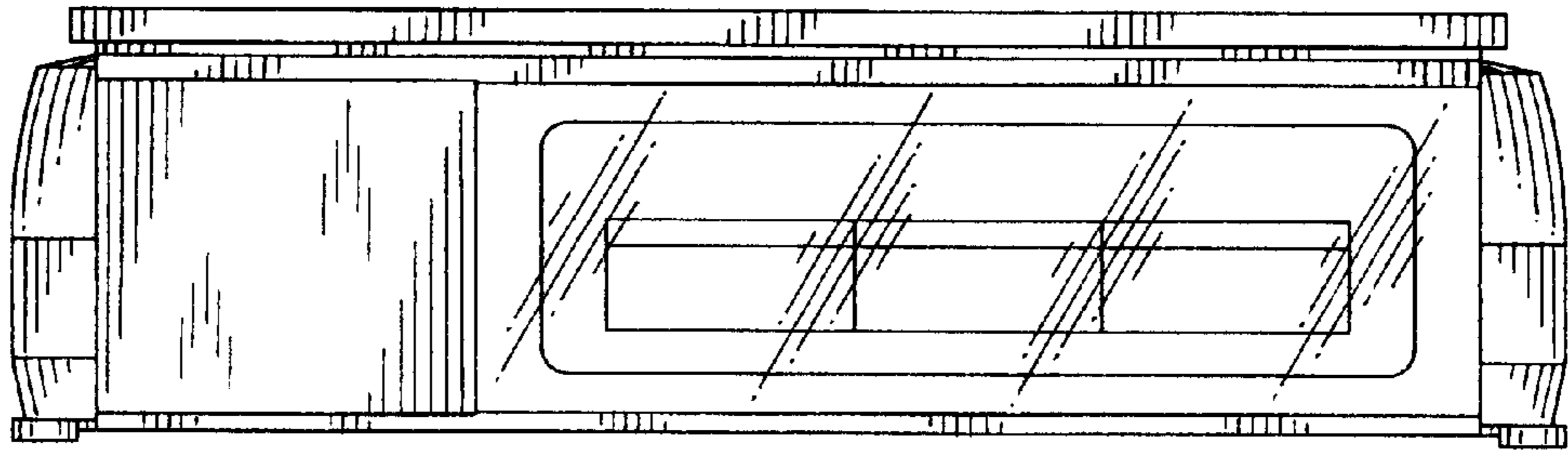


FIG. 10

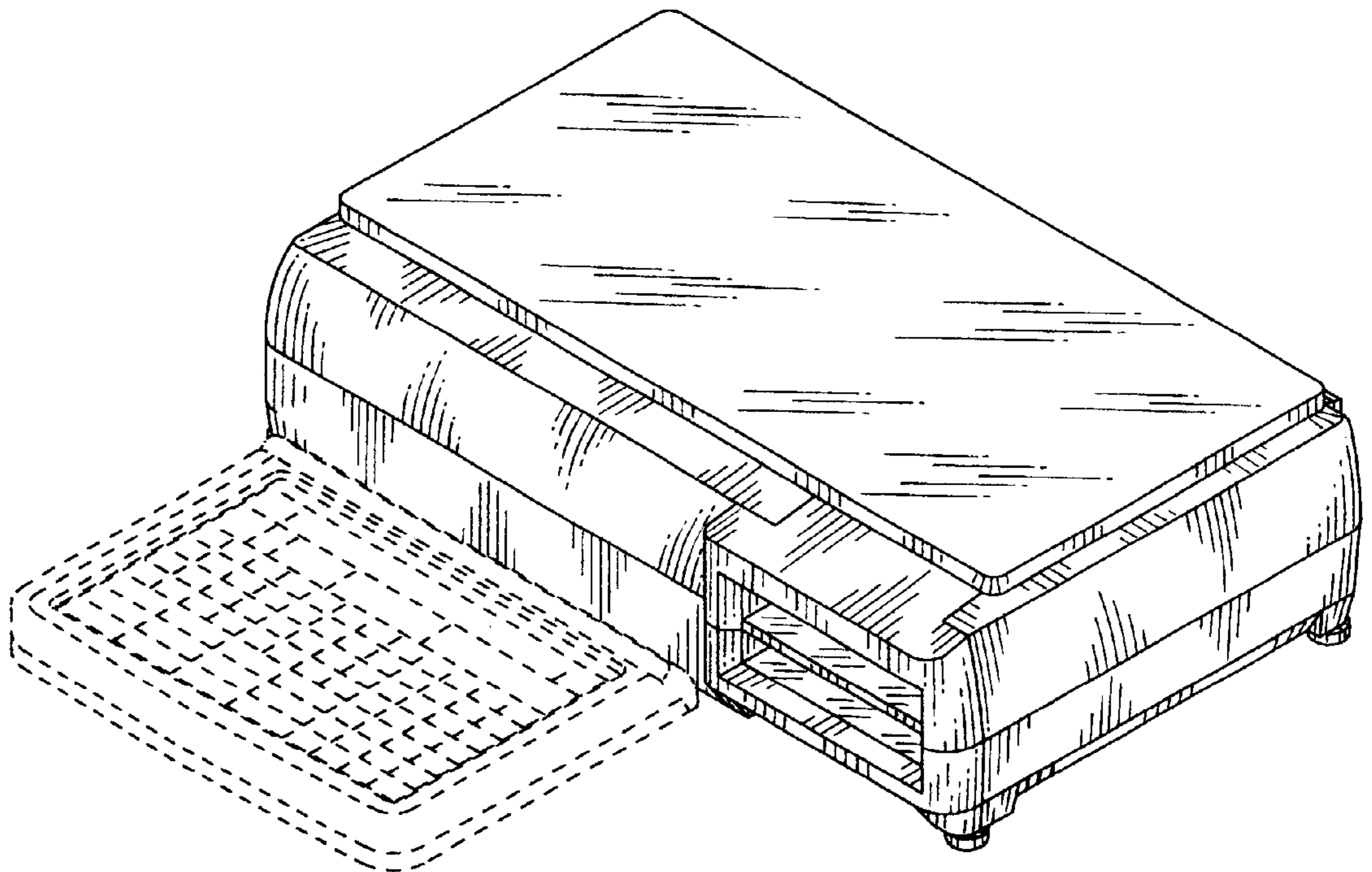


FIG. 11