



US00D455085S

(12) **United States Design Patent**
Dawson

(10) **Patent No.:** **US D455,085 S**

(45) **Date of Patent:** **** Apr. 2, 2002**

(54) **FRAMING TEMPLATE**

(76) **Inventor:** **Michael Lee Dawson**, 627 Vineyards Ct., Galt, CA (US) 95632

(**) **Term:** **14 Years**

(21) **Appl. No.:** **29/119,251**

(22) **Filed:** **Feb. 28, 2000**

(51) **LOC (7) Cl.** **10-04**

(52) **U.S. Cl.** **D10/64**

(58) **Field of Search** D8/382, 384, 385, D8/394, 354; D6/300; 40/155, 605-607, 616; 52/512, 520, 714, 507, 216, 217; 403/286, 331, 405.1; 24/457, 561; D10/64; 33/562, 563, 486, 487

(56) **References Cited**

U.S. PATENT DOCUMENTS

D32,811 S	*	6/1900	Fisher	
1,034,547 A	*	8/1912	Welsh D10/64
D116,969 S	*	10/1939	Vogel	
4,314,433 A	*	2/1982	Hulcombe 52/521
4,361,964 A	*	12/1982	Hennessee 33/478
5,067,300 A	*	11/1991	Takeda 52/745.1
D355,254 S	*	2/1995	Krafft et al. D24/140
D395,012 S	*	6/1998	Shouse D10/64

5,820,286 A	*	10/1998	Karl et al. 403/256
D412,673 S	*	8/1999	Koenig, Jr. et al. D10/64
5,960,554 A	*	10/1999	Kamykowski 33/562
D427,893 S	*	7/2000	Lappin et al. D8/382

* cited by examiner

Primary Examiner—Alan P. Douglas

Assistant Examiner—Clare E. Heflin

(74) *Attorney, Agent, or Firm*—W. Eric Boyd, Esq.

(57) **CLAIM**

The ornamental design for a framing template, as shown and described.

DESCRIPTION

FIG. 1 is a perspective view of a framing template showing the design;

FIG. 2 is a front view thereof;

FIG. 3 is that rear view thereof;

FIG. 4 is the right side view thereof;

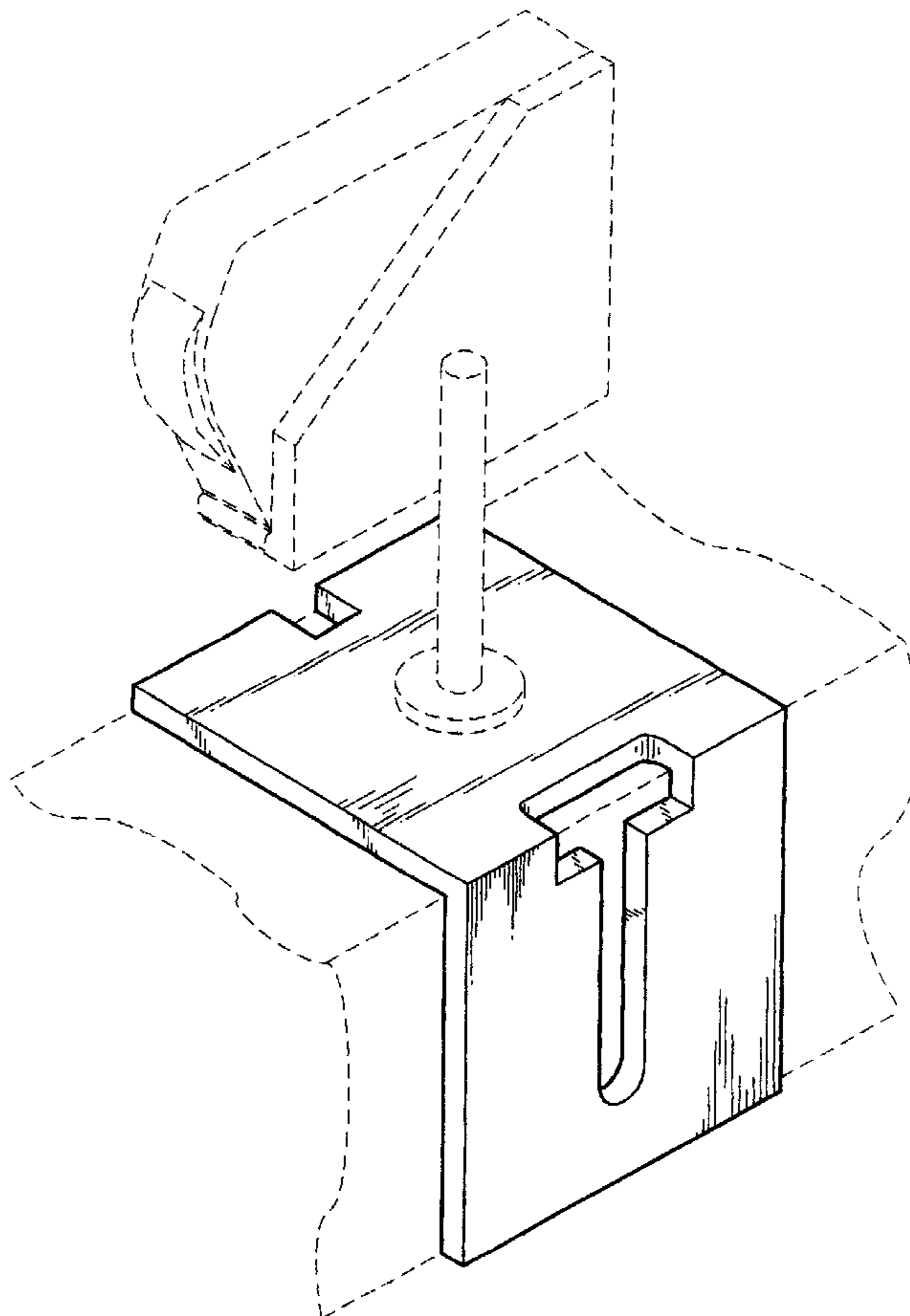
FIG. 5 is a left side view thereof;

FIG. 6 is a top view thereof; and,

FIG. 7 is a bottom view thereof.

The broken line showing of the environmental structure is for illustrative purposes only and forms no part of the claimed design.

1 Claim, 4 Drawing Sheets



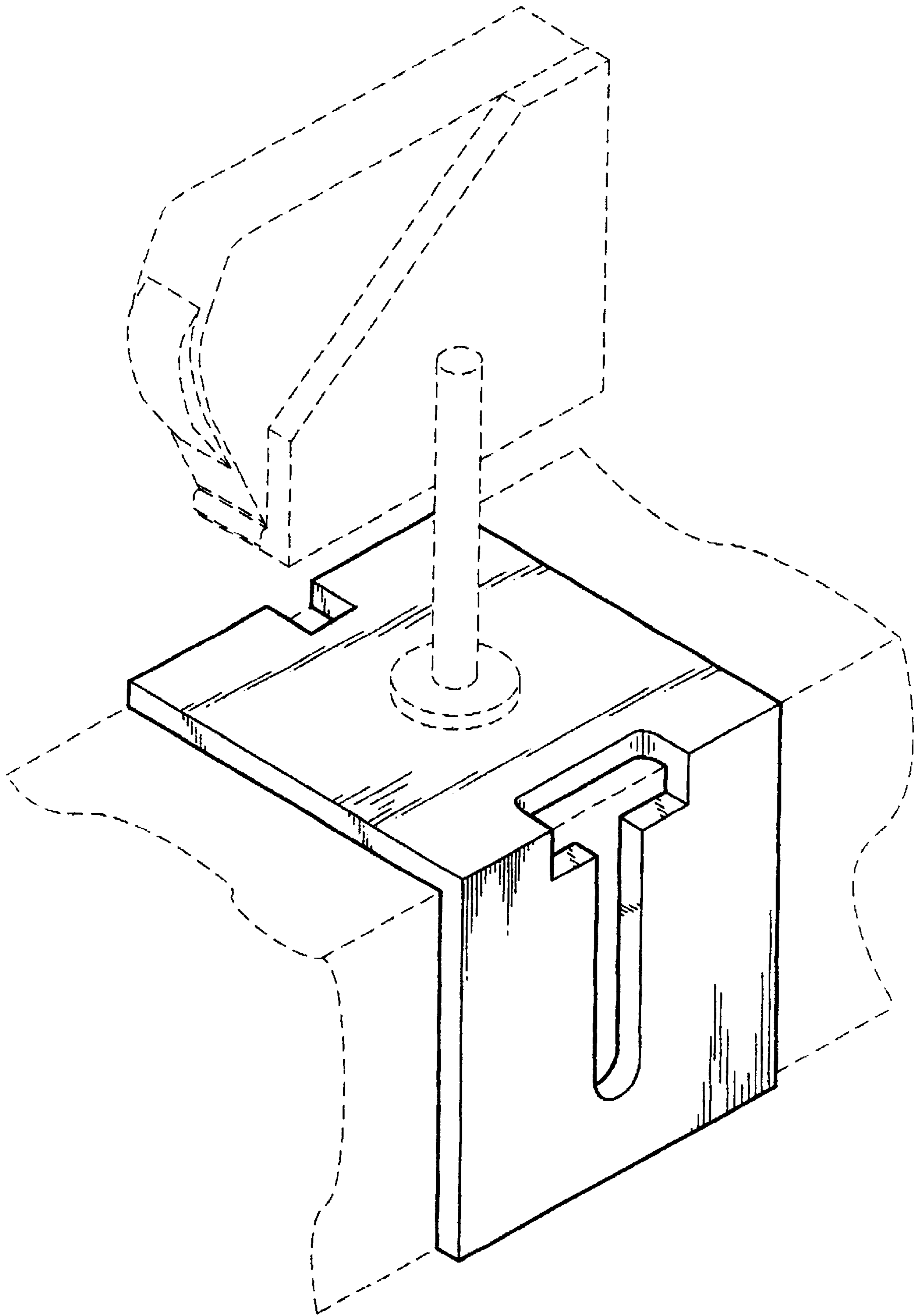


FIG. 1

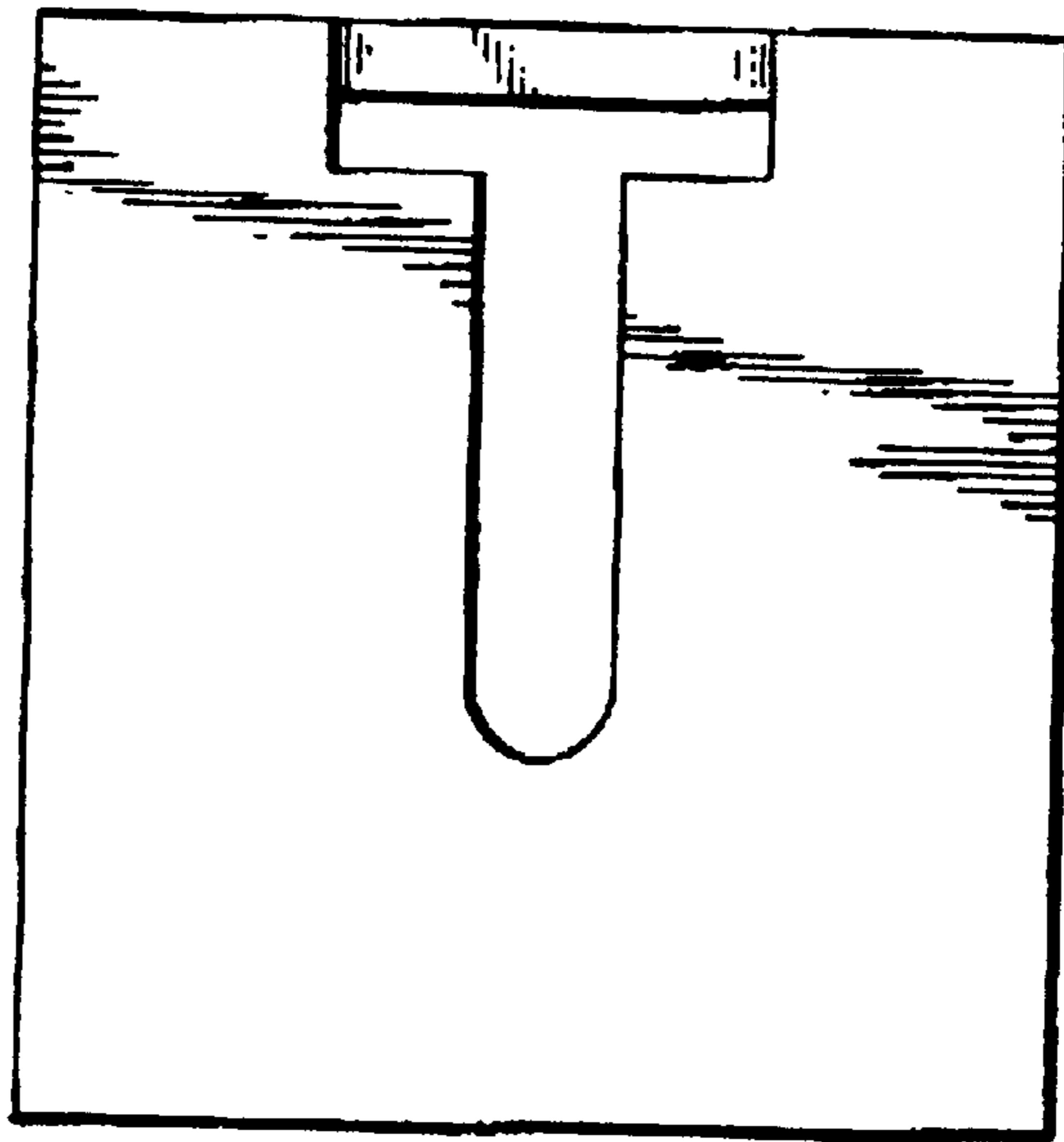


FIG. 2

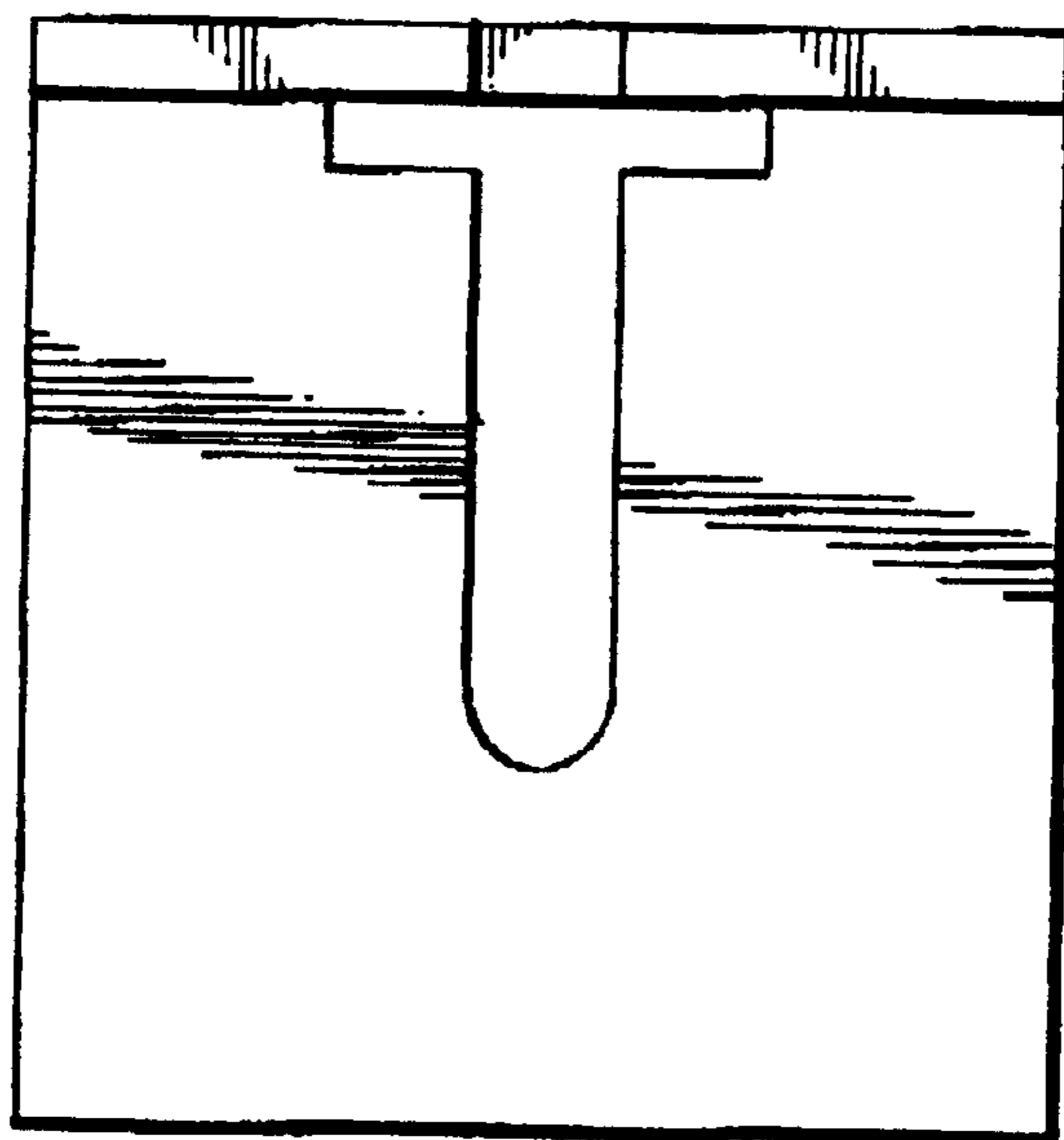


FIG. 3

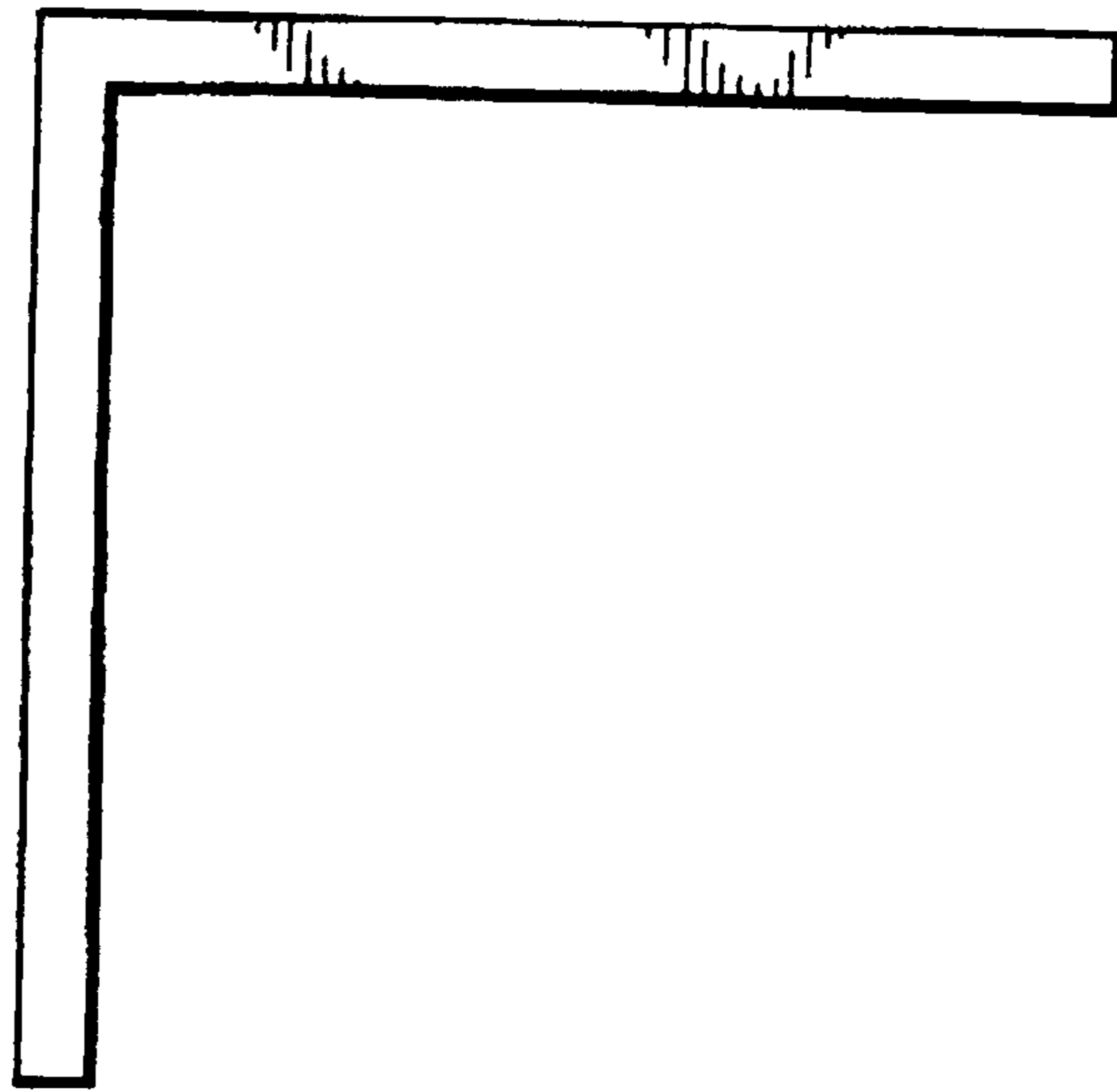


FIG. 4

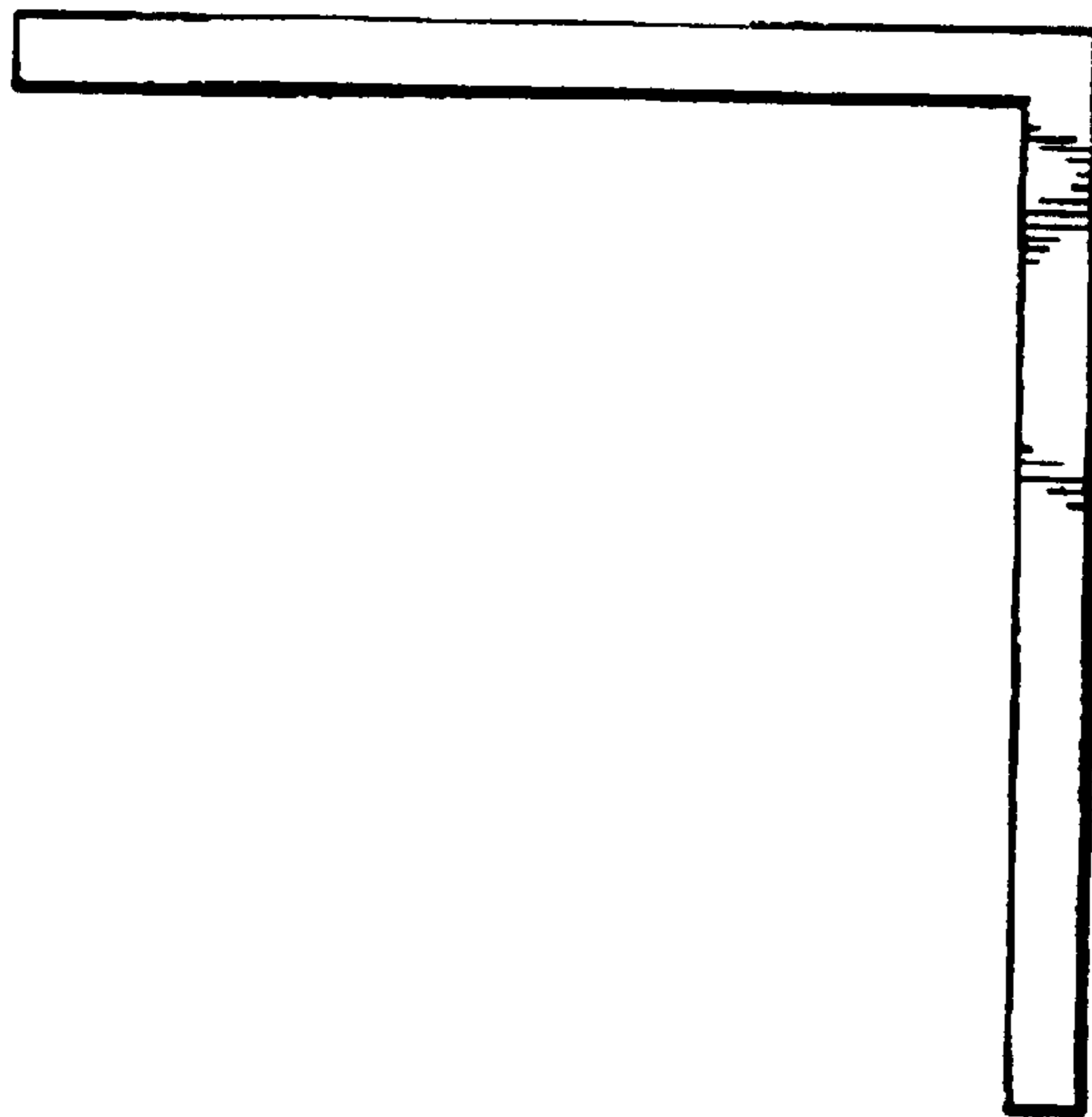


FIG. 5

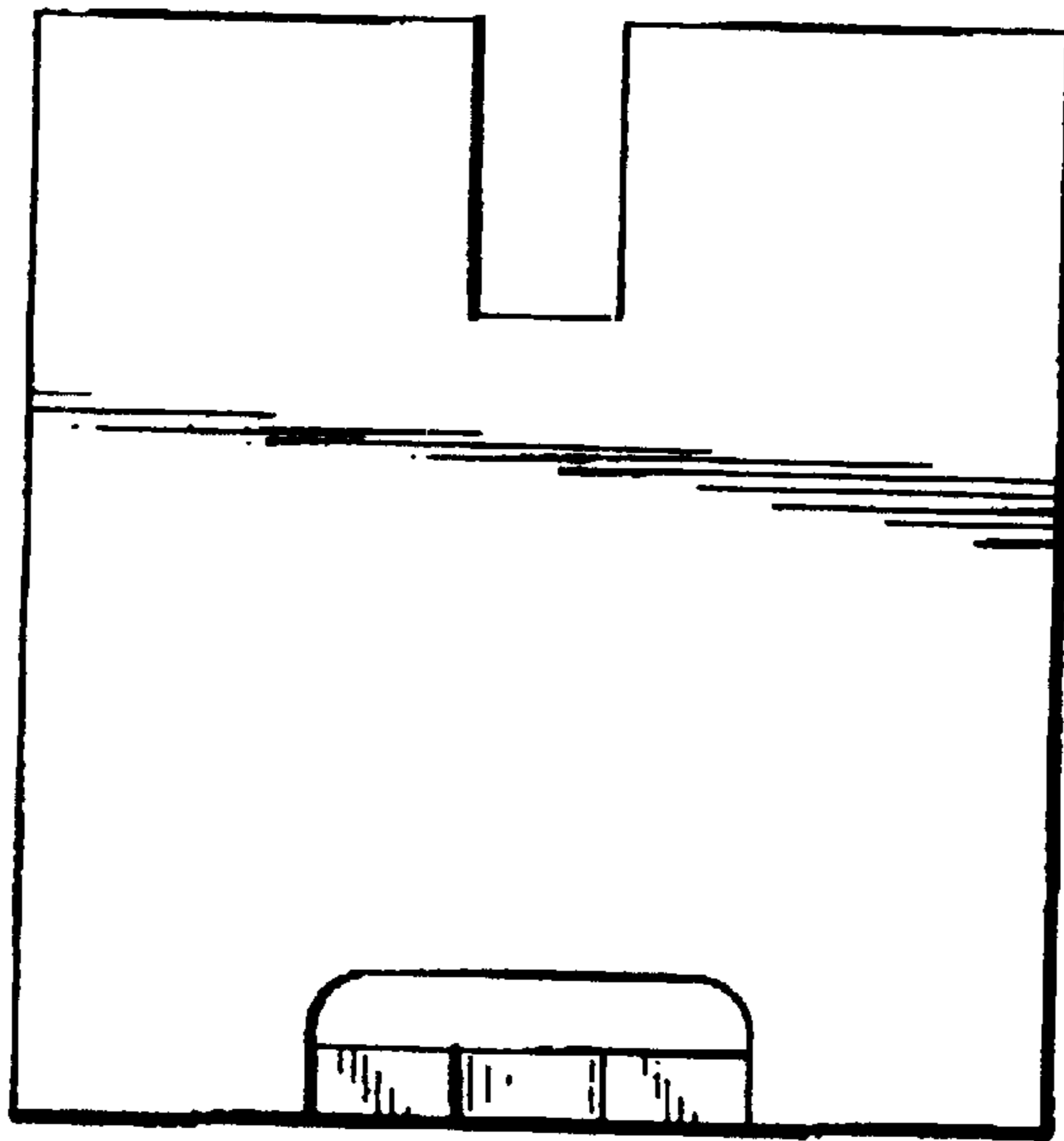


FIG. 6

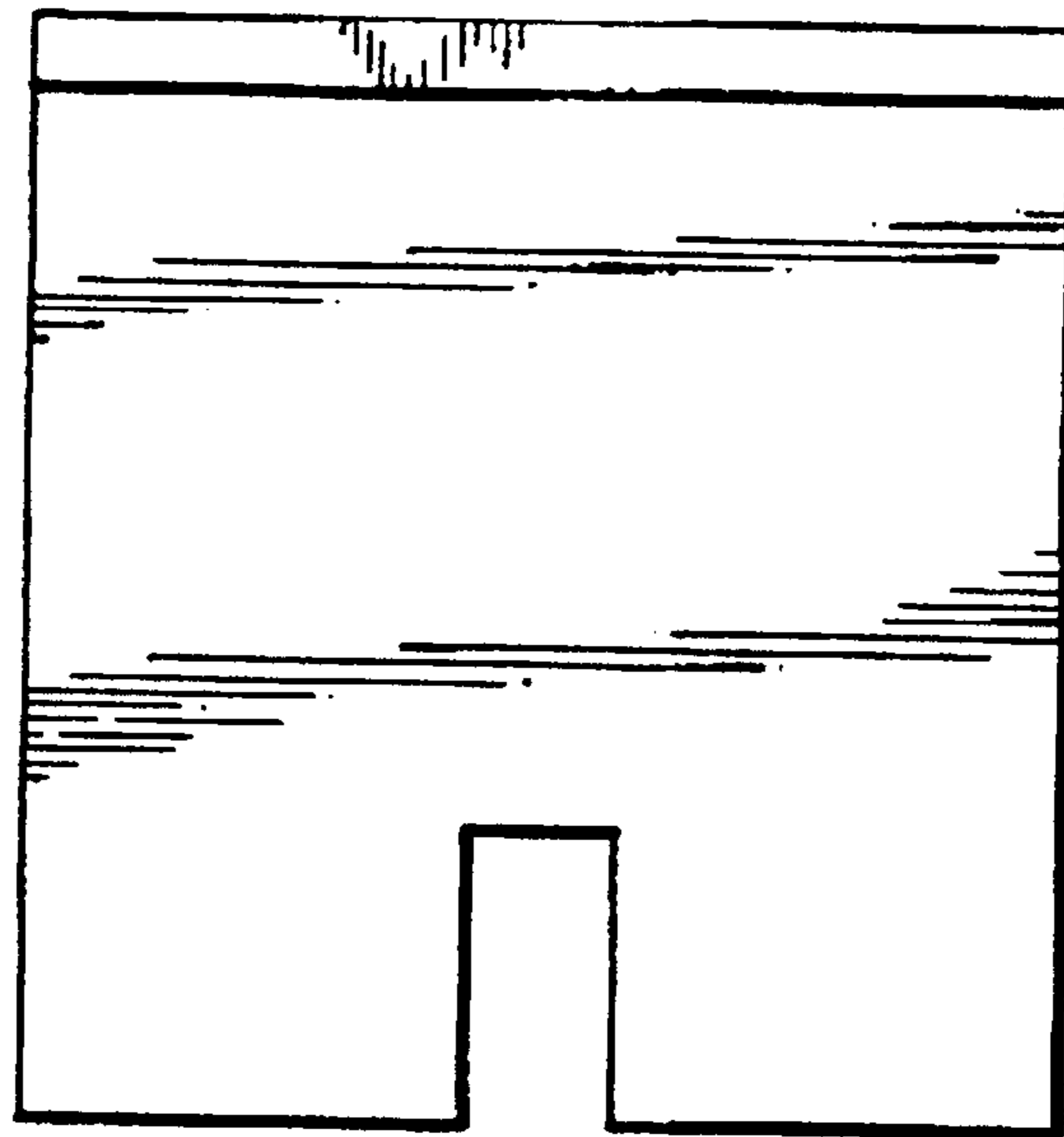


FIG. 7