



US00D455079S

(12) **United States Design Patent**
Kratko

(10) **Patent No.:** **US D455,079 S**

(45) **Date of Patent:** **** Apr. 2, 2002**

(54) **LIQUID CONTAINER**

D278,032 S * 3/1985 de Morgues D9/561

(76) Inventor: **Irina G. Kratko**, 46/48 Zemlyanoi Val,
Apt. 76, Moscow (RU), 103064

* cited by examiner

(**) Term: **14 Years**

Primary Examiner—Ted Shooman

Assistant Examiner—Selina Sikder

(74) *Attorney, Agent, or Firm*—James C. Nemmers

(21) Appl. No.: **29/117,183**

(57) **CLAIM**

(22) Filed: **Jan. 20, 2000**

The ornamental design for a liquid container, as shown and described.

(51) **LOC (7) Cl.** **09-01**

(52) **U.S. Cl.** **D9/520; D9/560; D9/523**

(58) **Field of Search** D9/300, 516, 523,
D9/559, 560; 206/509; 215/10, 381, 382,
383, 384; 222/143, 183

DESCRIPTION

(56) **References Cited**

U.S. PATENT DOCUMENTS

D72,687 S	*	5/1927	Vionnet	D9/560
2,973,119 A	*	2/1961	Parker	222/131
3,160,326 A	*	12/1964	Sturdevant et al.	222/183
D222,826 S	*	1/1972	Newman	D9/300
3,765,574 A	*	10/1973	Urquiza	222/183

FIG. 1 is a front elevational view of the liquid container of the invention;

FIG. 2 is a left side elevational view of the container;

FIG. 3 is a right side elevational view of the container;

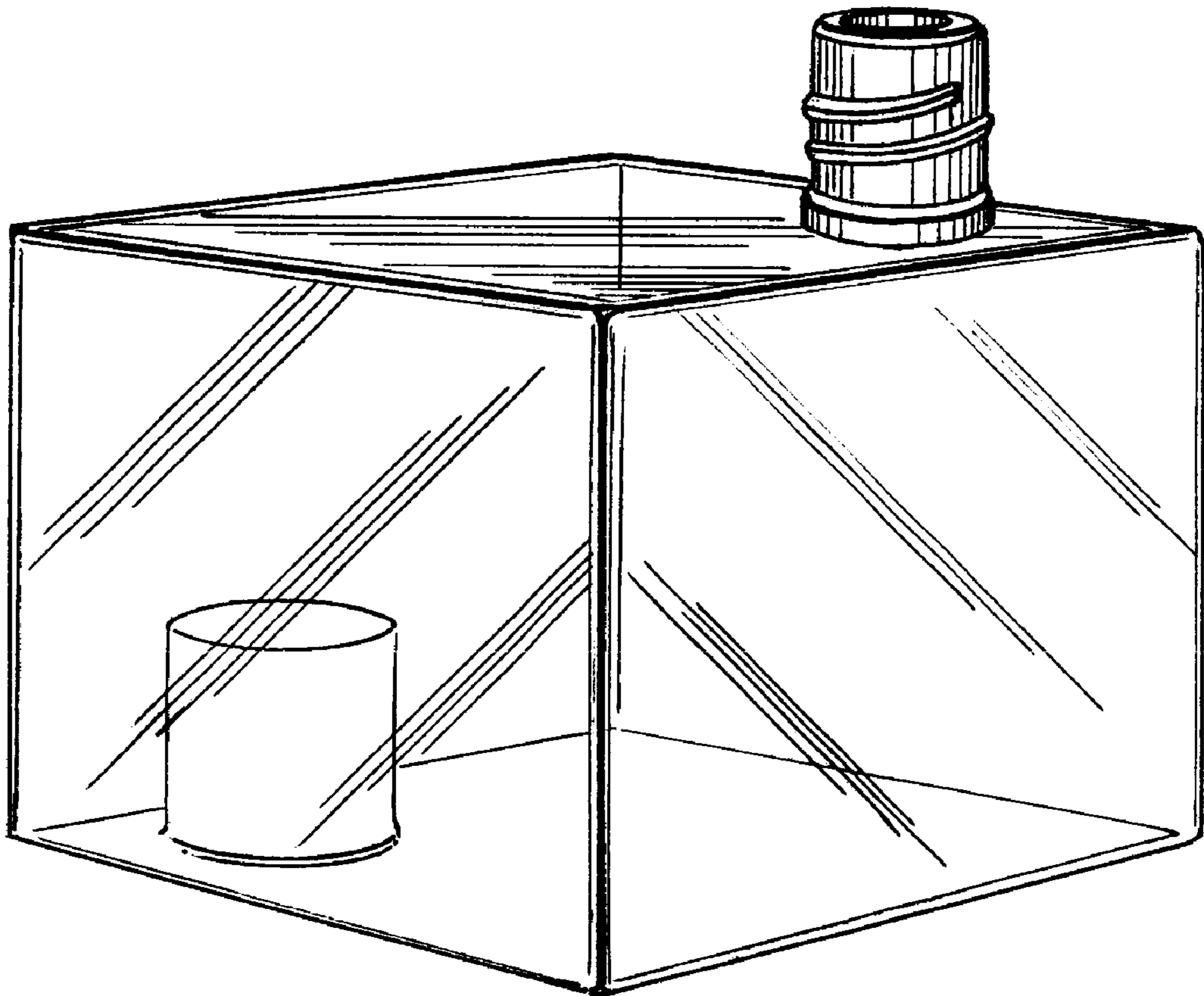
FIG. 4 is a bottom view of the container;

FIG. 5 is a top view of the container; and,

FIG. 6 is a perspective view of the container.

The broken line showing the cap is for illustrative purposes only and forms no part of the claimed design.

1 Claim, 2 Drawing Sheets



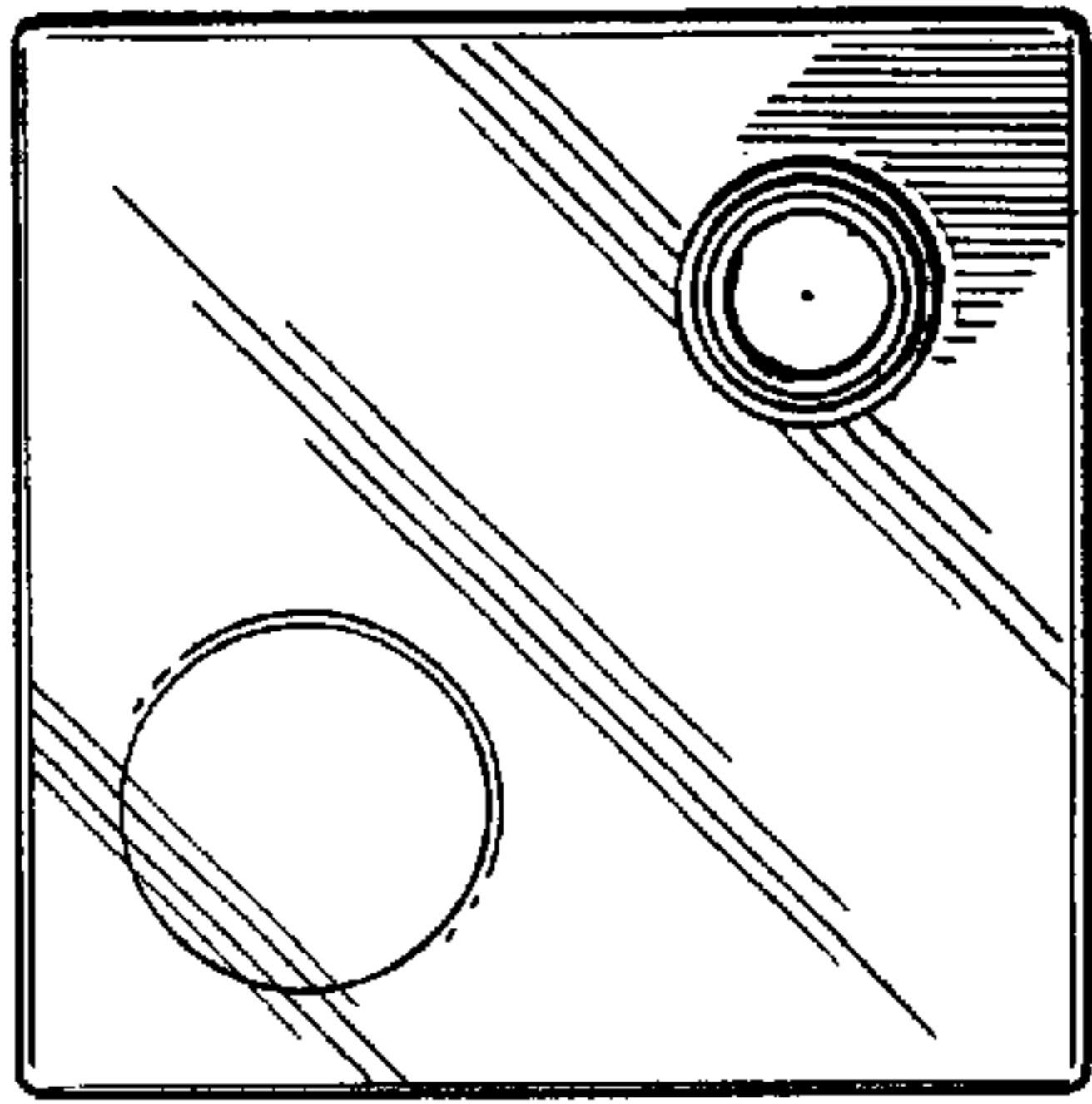


FIG. 5

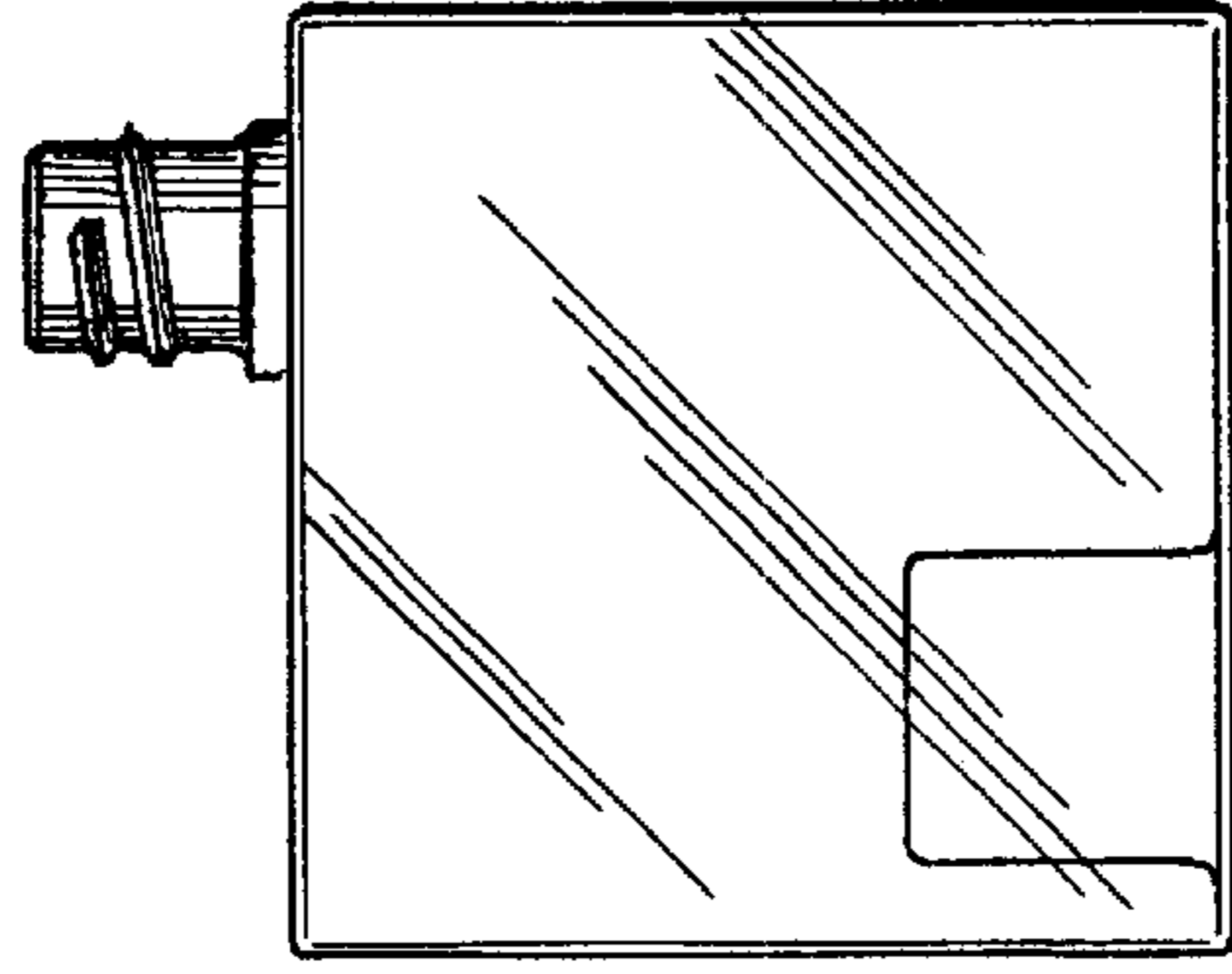


FIG. 1

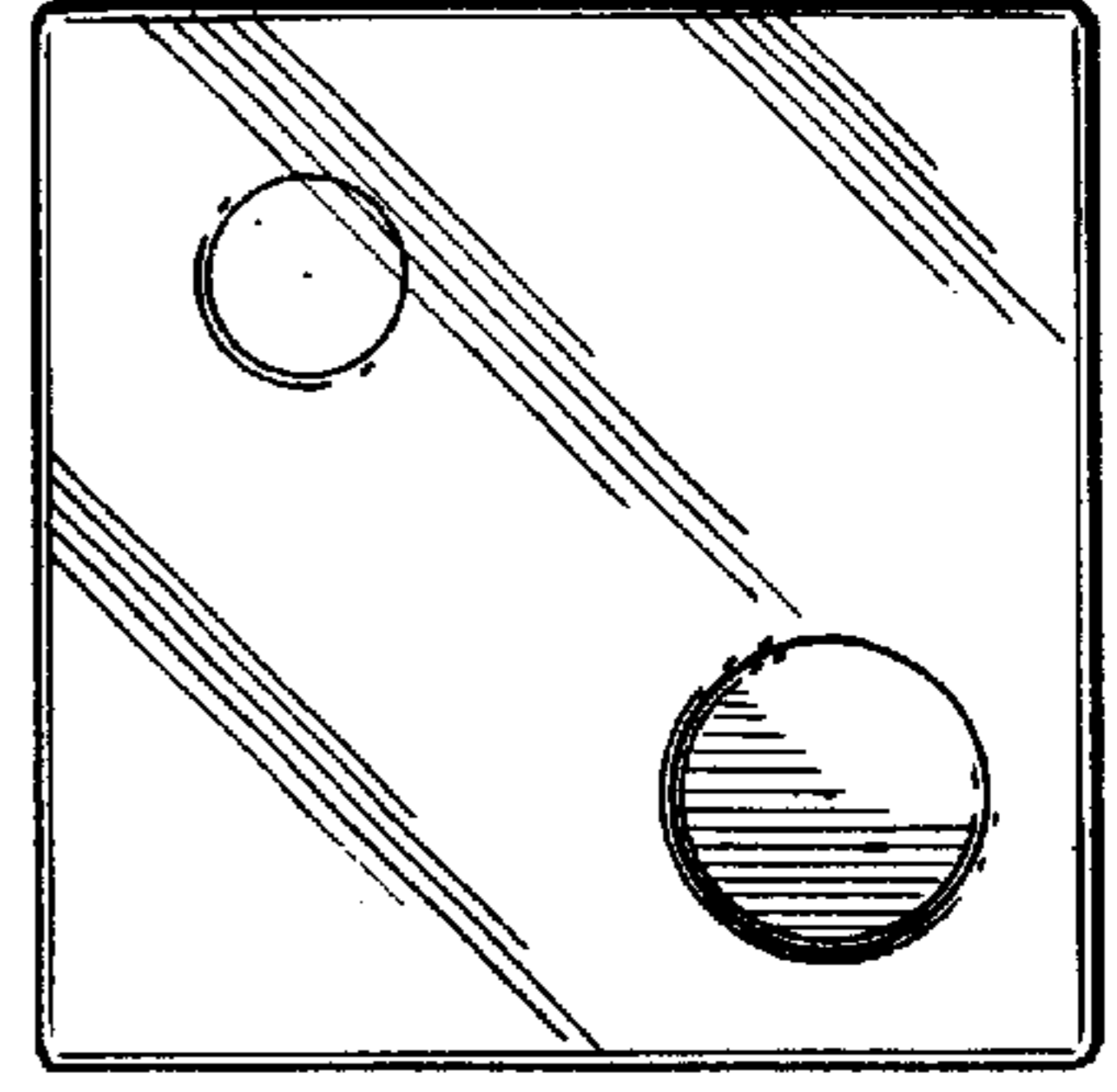


FIG. 4

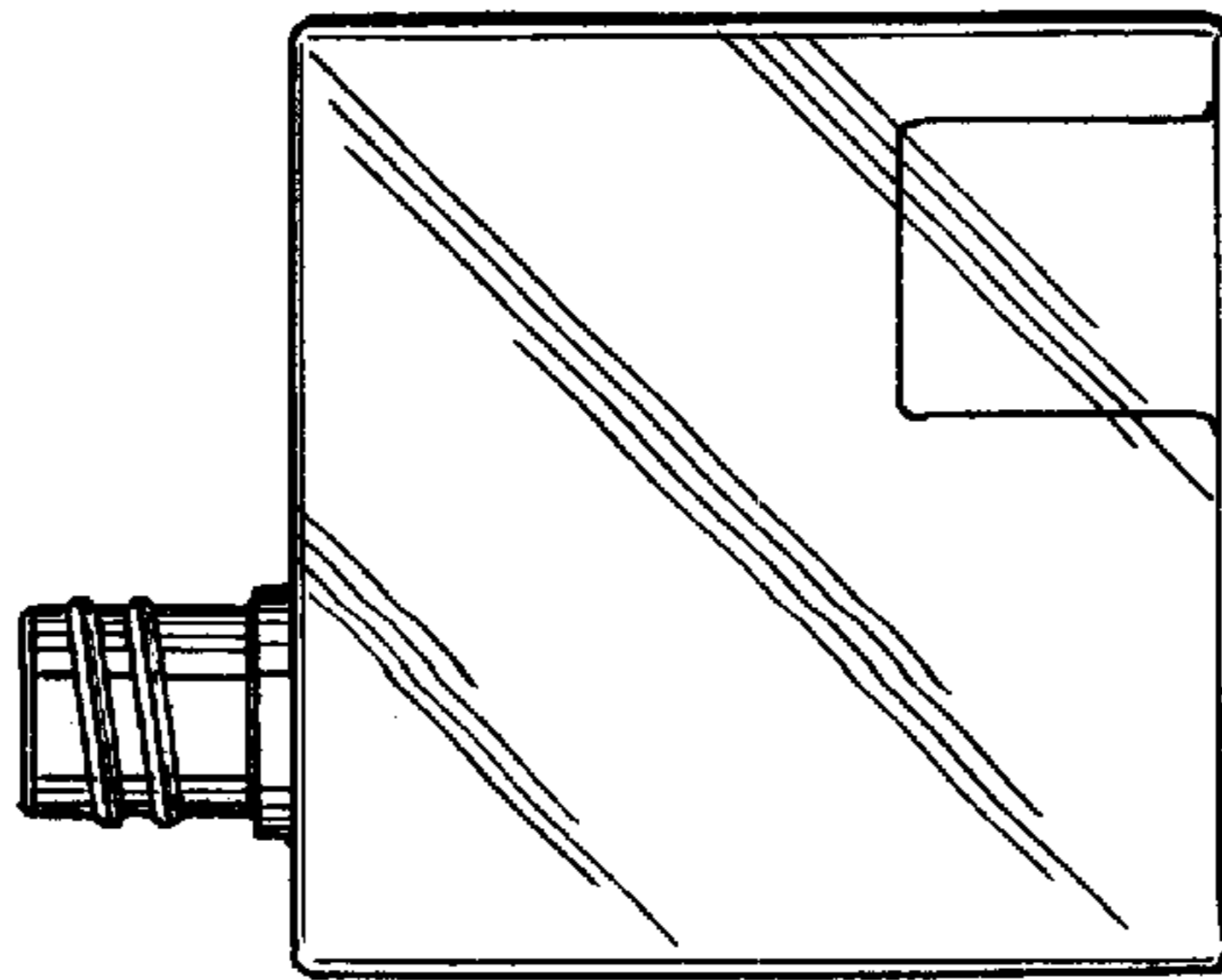


FIG. 3

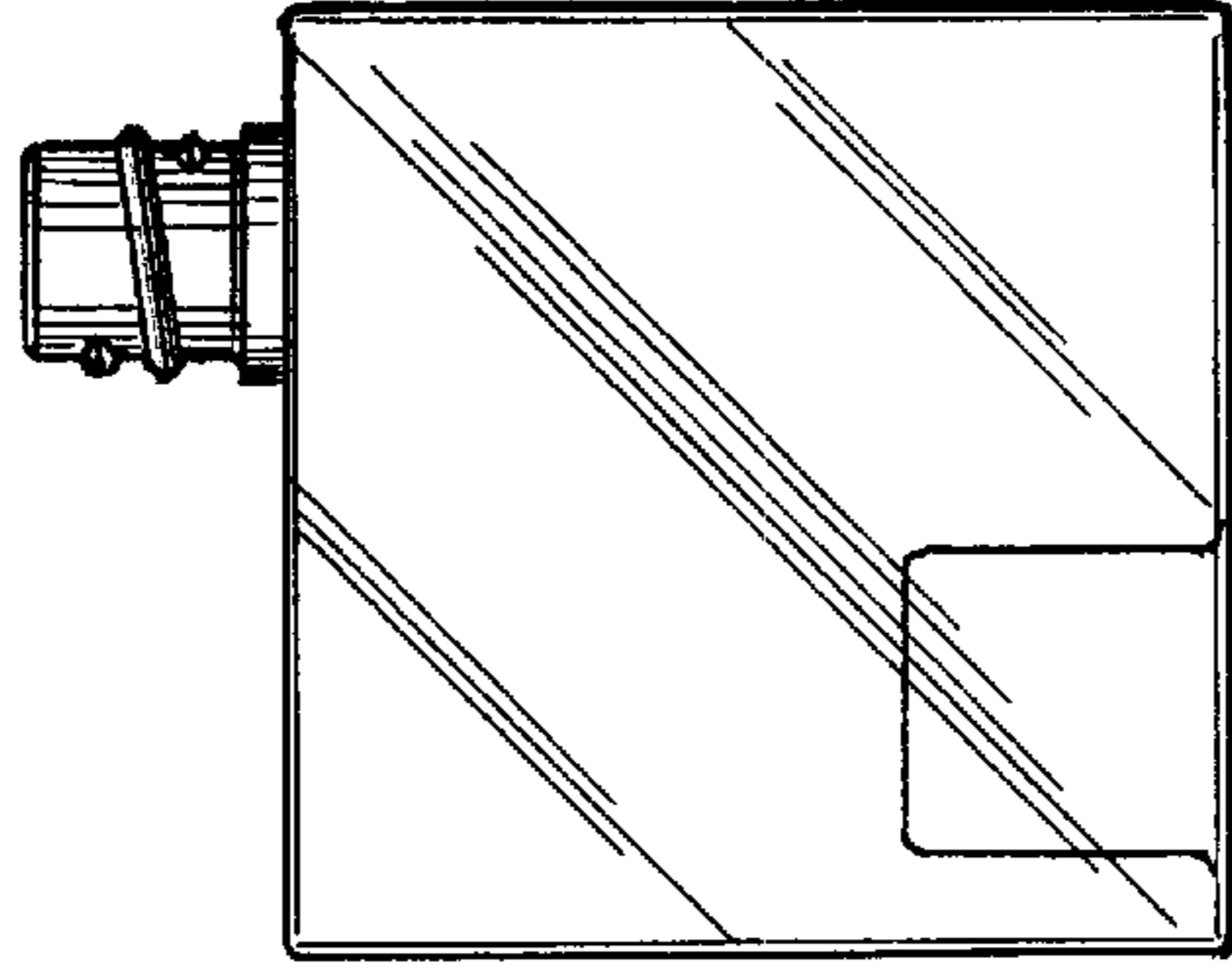


FIG. 2

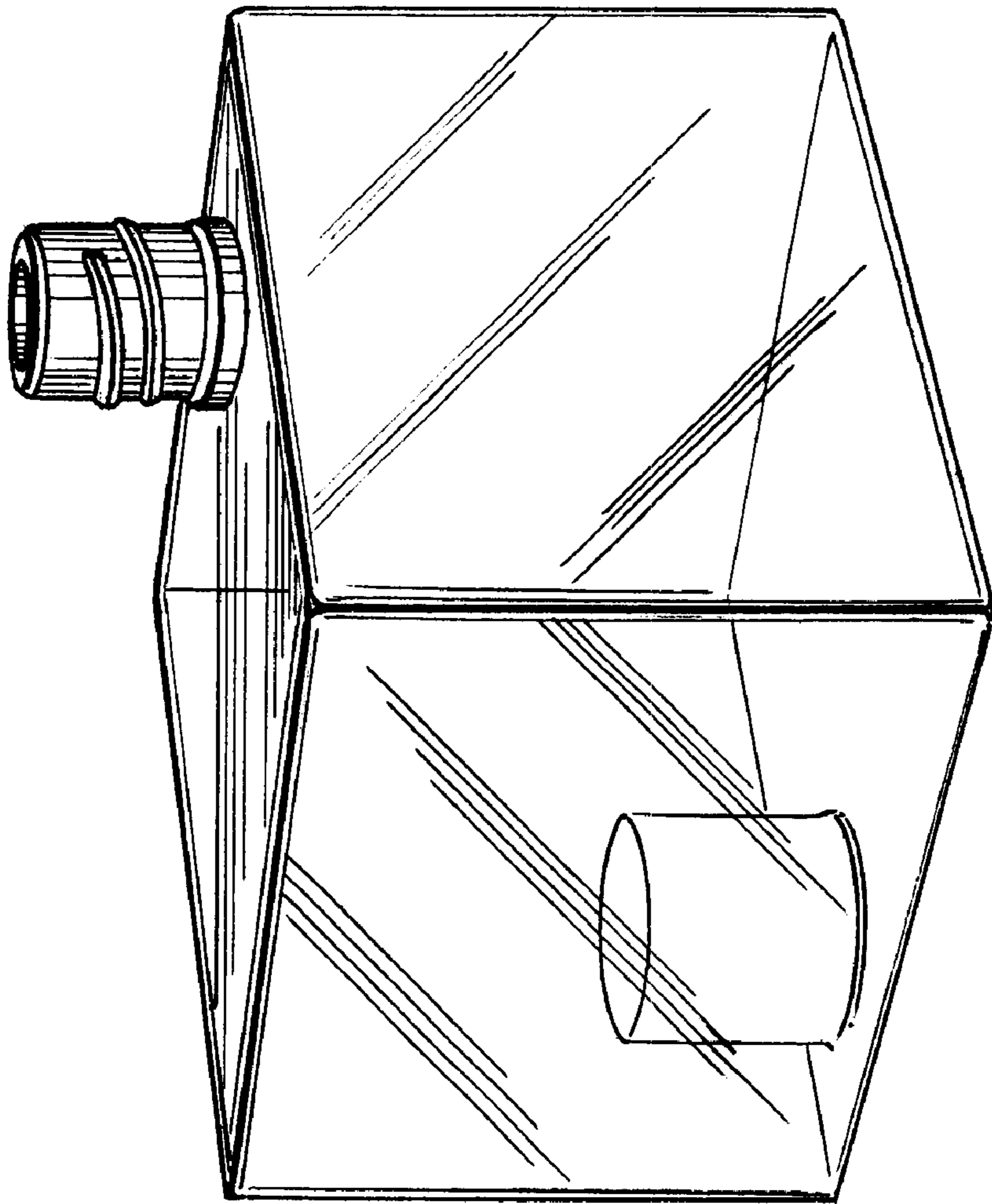


FIG. 6