



US00D455077S

(12) **United States Design Patent**
Gaiser et al.

(10) **Patent No.: US D455,077 S**

(45) **Date of Patent: ** *Apr. 2, 2002**

(54) **CLOSURE**

(75) Inventors: **Rick Gaiser**, Spring Grove; **Val Hierzer**, Arlington Heights; **Bob Simpson**, Grayslake, all of IL (US)

(73) Assignee: **Crown Cork & Seal Technologies Corporation**, Alsip, IL (US)

(*) Notice: This patent is subject to a terminal disclaimer.

(**) Term: **14 Years**

(21) Appl. No.: **29/117,103**

(22) Filed: **Jan. 18, 2000**

(51) **LOC (7) Cl.** **09-07**

(52) **U.S. Cl.** **D9/449**

(58) **Field of Search** D9/302, 435, 442, D9/446, 438, 447, 449, 450, 454; 215/235, 236; 220/244, 334, 335, 336, 337, 338, 339, 340; 222/92, 94, 105, 107, 522, 525, 546, 556, 557, 562, 565

(56) **References Cited**

U.S. PATENT DOCUMENTS

| | | | | | |
|-------------|---|---------|---------------|-------|-----------|
| 1,986,271 A | * | 1/1935 | Keith | | 215/235 |
| 4,621,750 A | | 11/1986 | Roethel | | 222/505 |
| 4,685,594 A | | 8/1987 | Czech | | 222/182 |
| D292,675 S | * | 11/1987 | Landecker | | D9/449 |
| 4,739,906 A | * | 4/1988 | LoTurco | | 222/556 X |
| 4,832,215 A | | 5/1989 | LeBlanc | | 215/100 |
| 4,852,770 A | * | 8/1989 | Sledge et al. | | 222/546 X |
| 4,854,473 A | * | 8/1989 | Dubach | | 215/235 X |
| 5,033,653 A | | 7/1991 | Kaufman | | 222/185 |

| | | | | | |
|-------------|---|---------|----------------|-------|-----------|
| 5,318,203 A | * | 6/1994 | Iaia et al. | | 222/94 |
| D349,650 S | * | 8/1994 | Lonczak et al. | | D9/449 |
| 5,358,130 A | * | 10/1994 | Mengeu et al. | | 215/235 X |
| 5,377,874 A | | 1/1995 | Brown | | 222/82 |
| D356,026 S | * | 3/1995 | Iaia et al. | | D9/302 |
| 5,636,767 A | | 6/1997 | Vogrin | | 222/185.1 |
| D392,879 S | * | 3/1998 | Couey | | D9/302 |
| 5,890,630 A | | 4/1999 | Lobdell | | 222/192 |
| D411,744 S | * | 6/1999 | Brach et al. | | D9/438 |
| D413,064 S | * | 8/1999 | Bansal | | D9/449 |
| D426,772 S | * | 6/2000 | Kahl | | D9/449 |

* cited by examiner

Primary Examiner—Cathron Brooks

(74) *Attorney, Agent, or Firm*—Knoble & Yoshida, LLC

(57) **CLAIM**

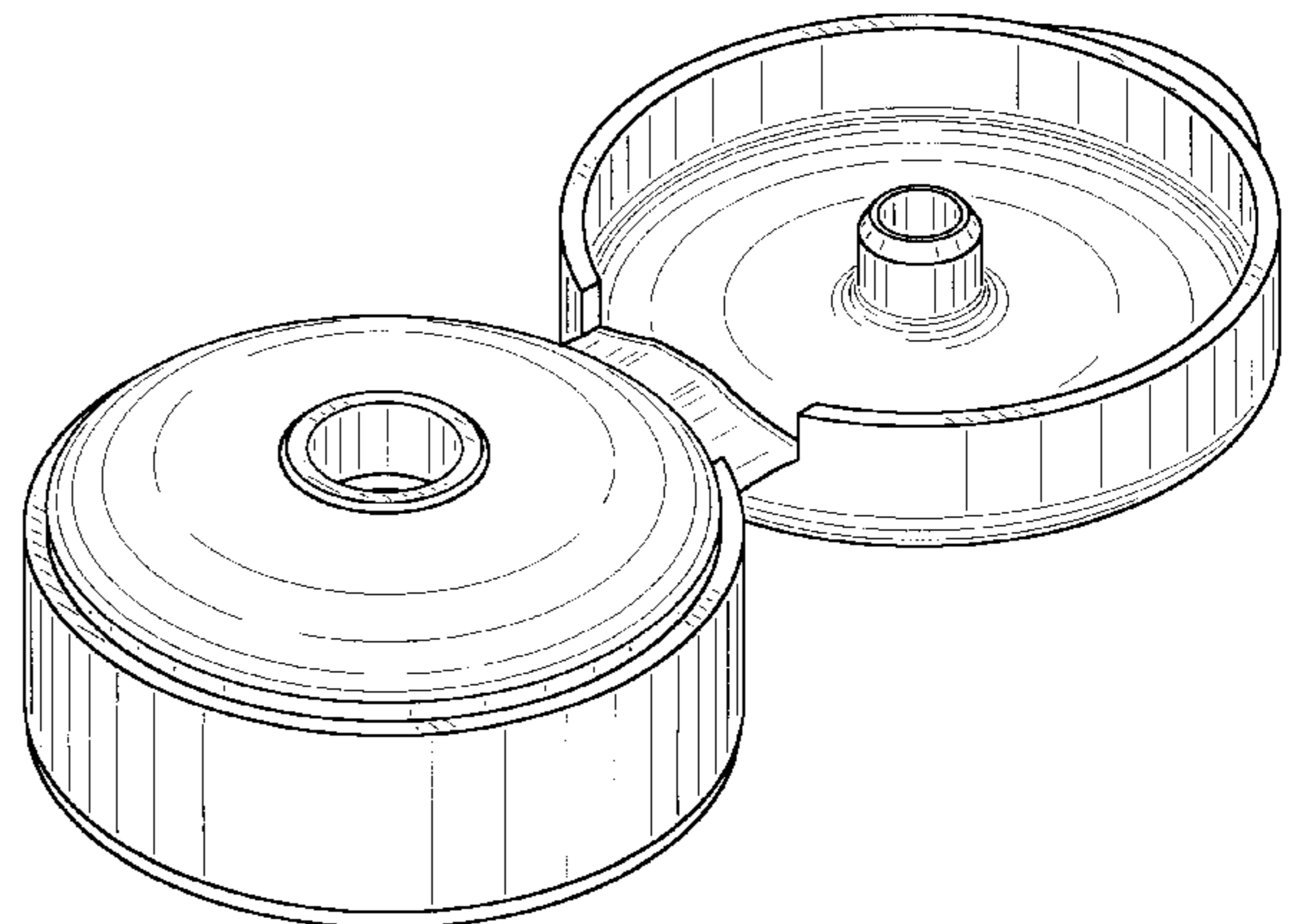
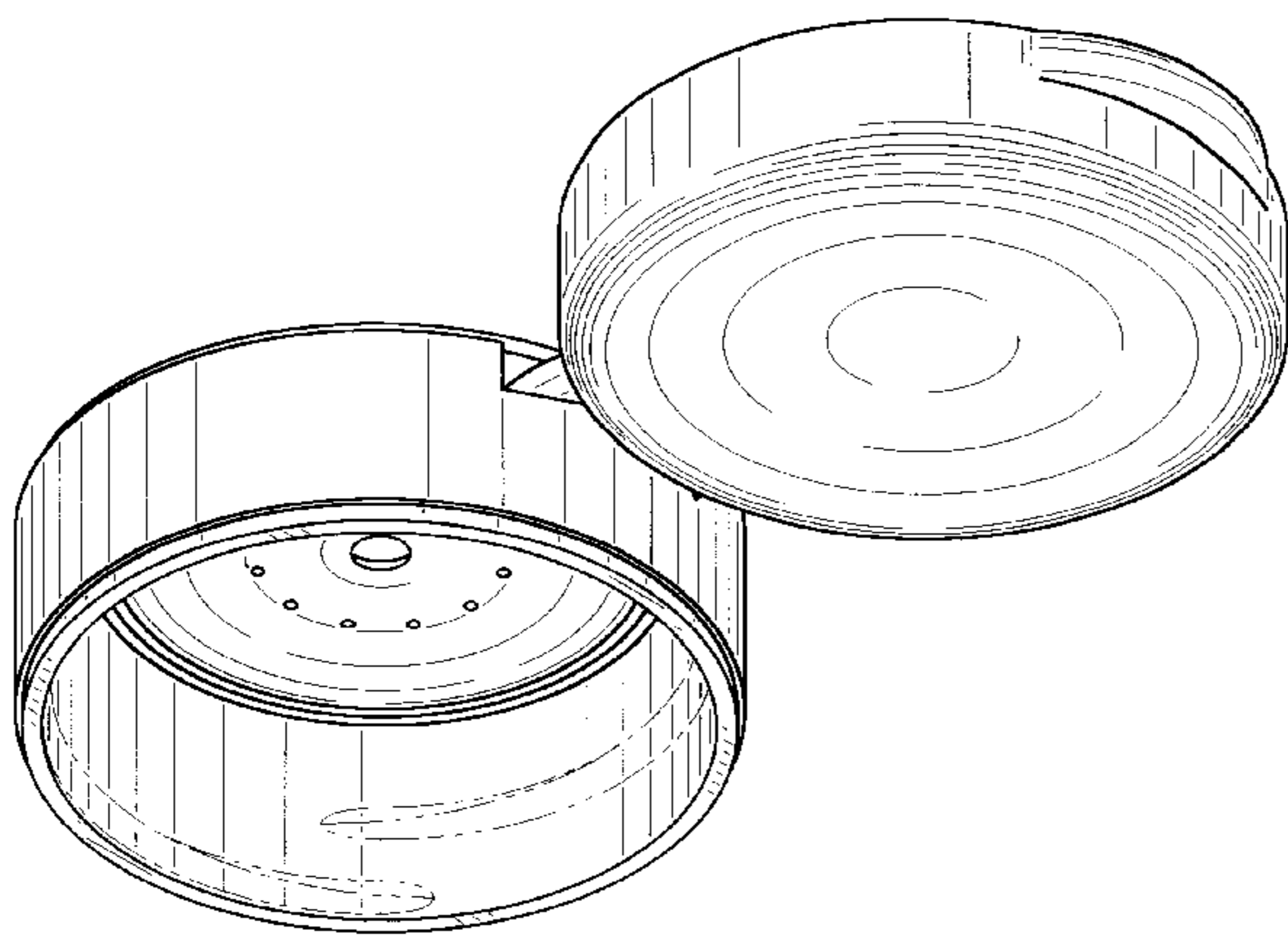
The ornamental design for a “closure,” as shown and described.

DESCRIPTION

FIG. 1 is a bottom perspective view showing our new design;
FIG. 2 is a top perspective view showing our new design;
FIG. 3 is a top plan view;
FIG. 4 is a bottom plan view;
FIG. 5 is a first side elevational view;
FIG. 6 is a second side elevational view;
FIG. 7 is a front elevational view;
FIG. 8 is a rear elevational view; and,
FIG. 9 is a cross-sectional view taken along line 9—9 of FIG. 3 .

Any broken lines in the drawings depict probable environment only and form no part of the claimed design.

1 Claim, 4 Drawing Sheets



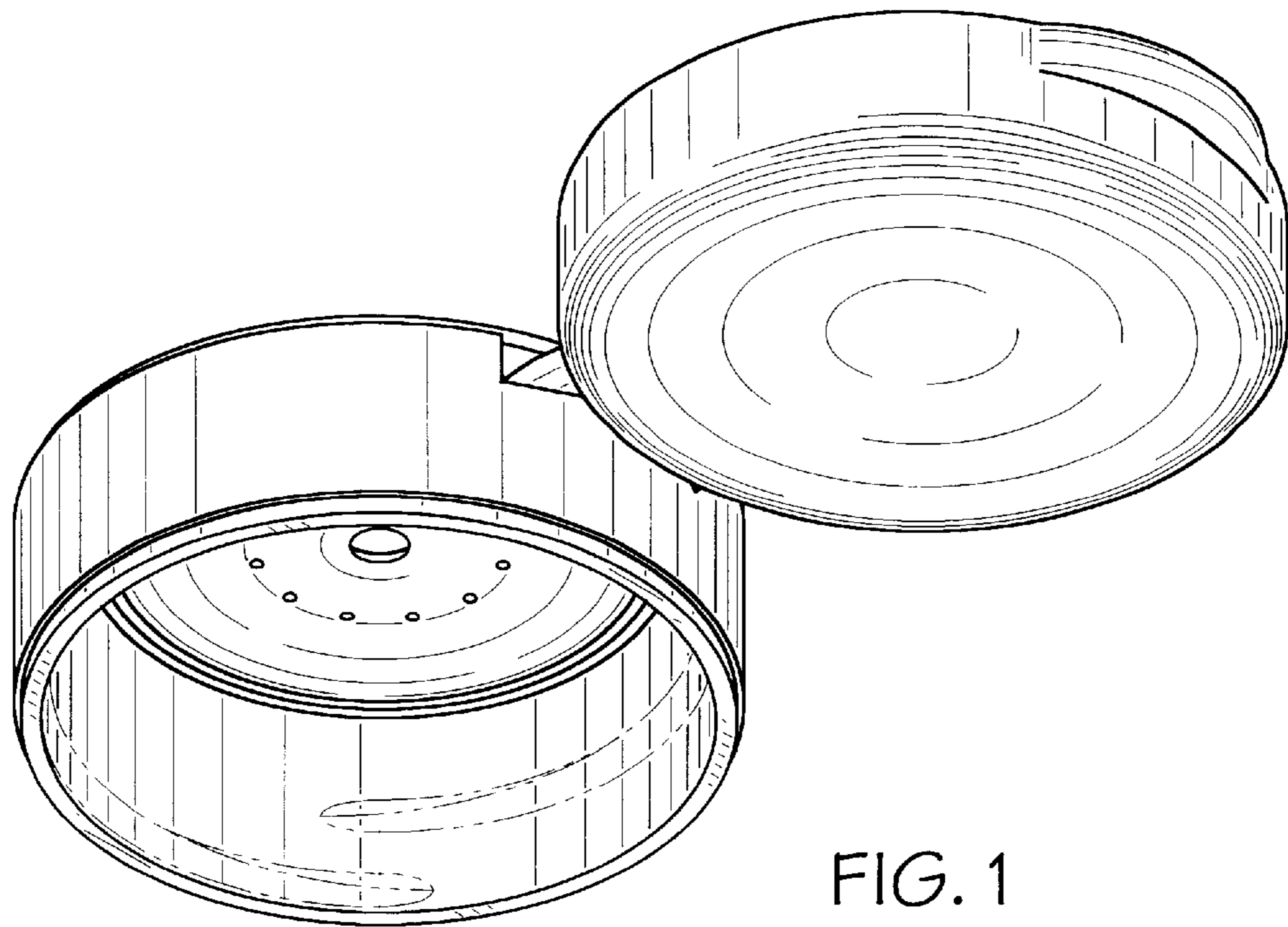


FIG. 1

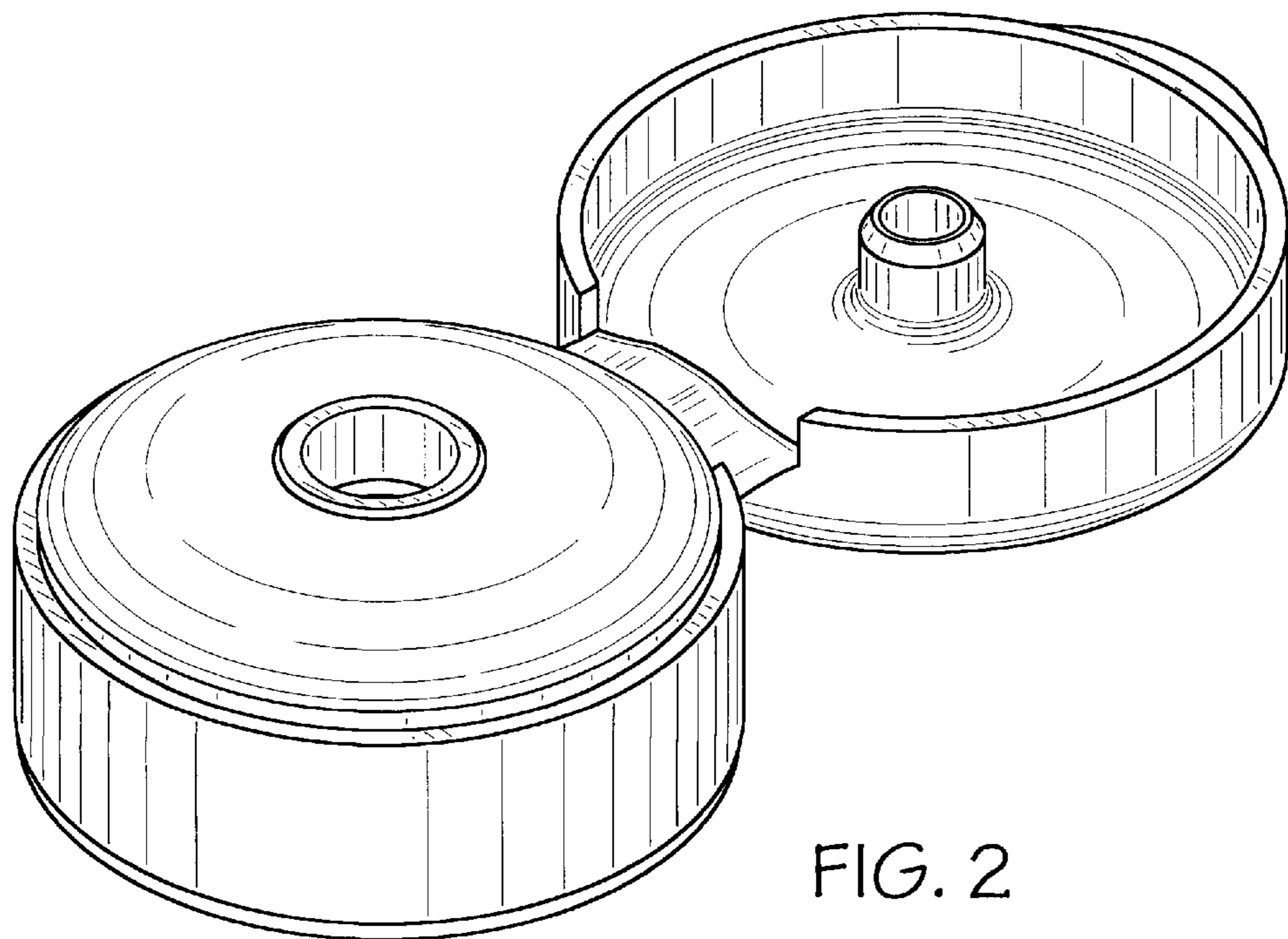


FIG. 2

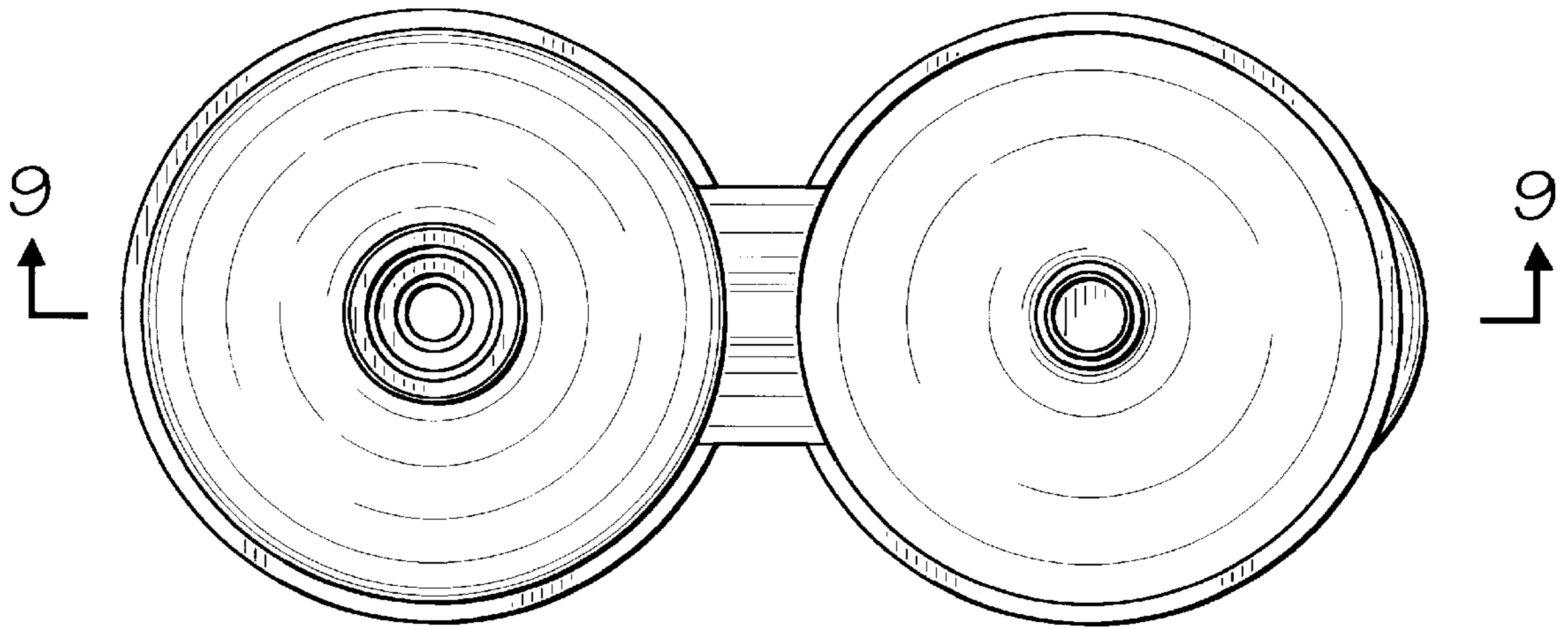


FIG. 3

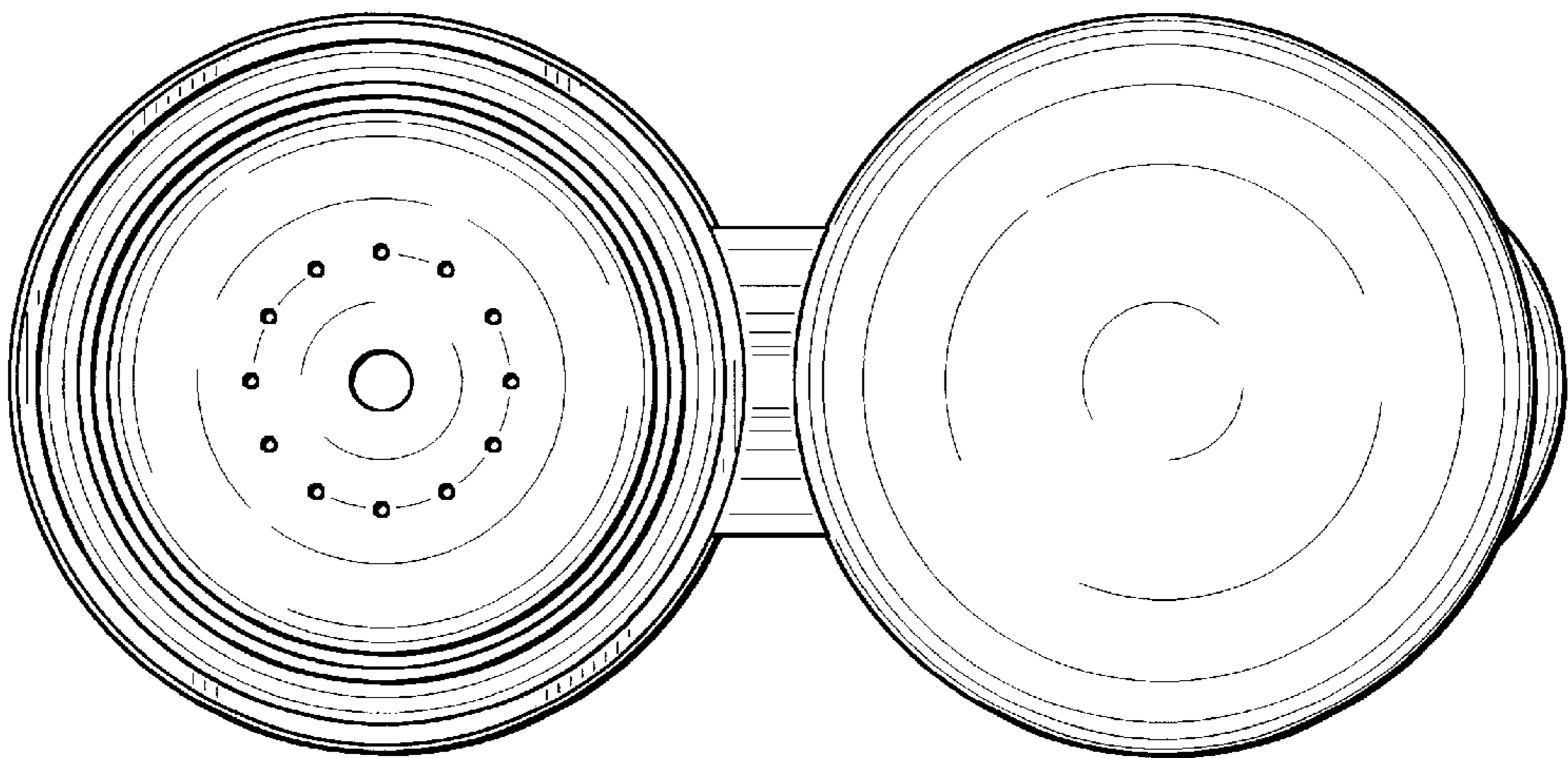


FIG. 4

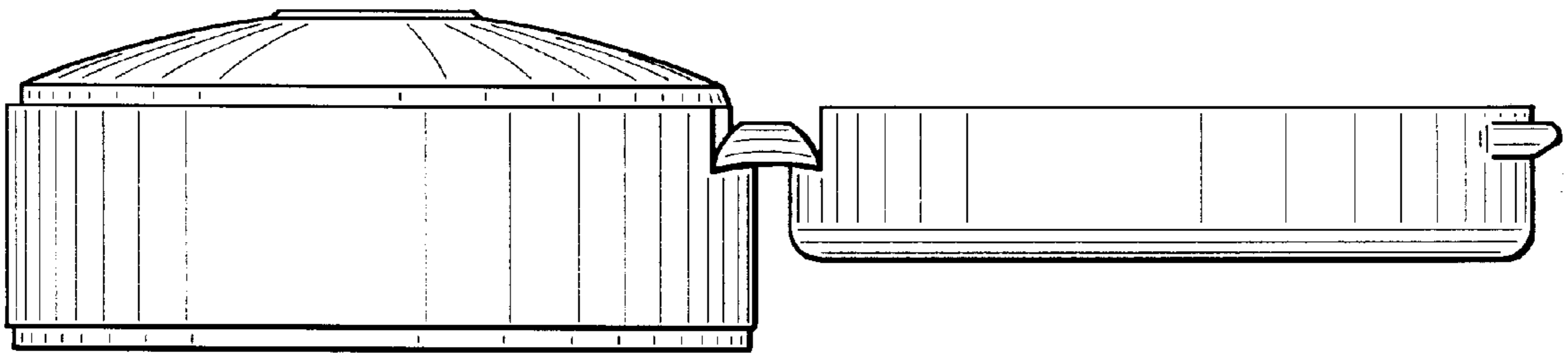


FIG. 5

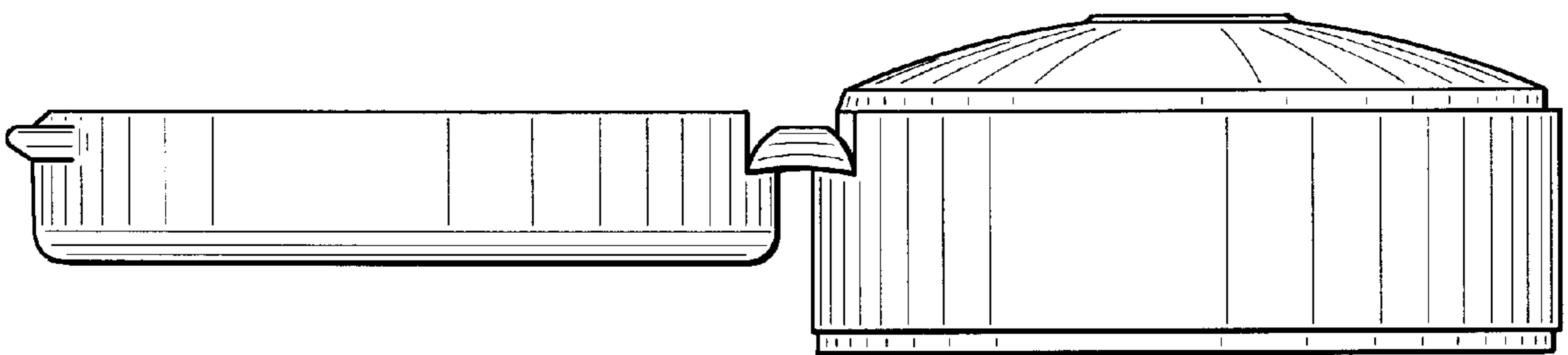


FIG. 6

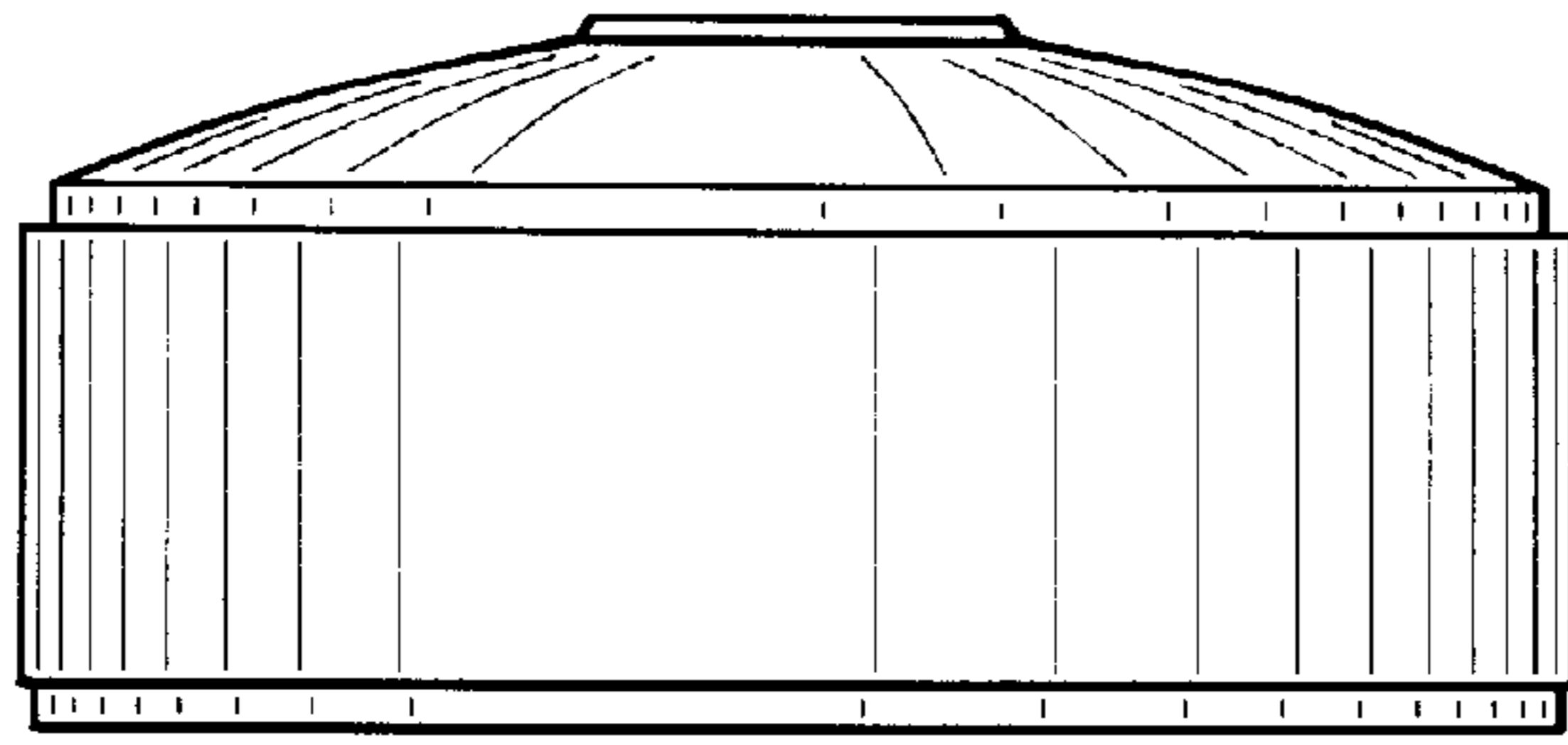


FIG. 7

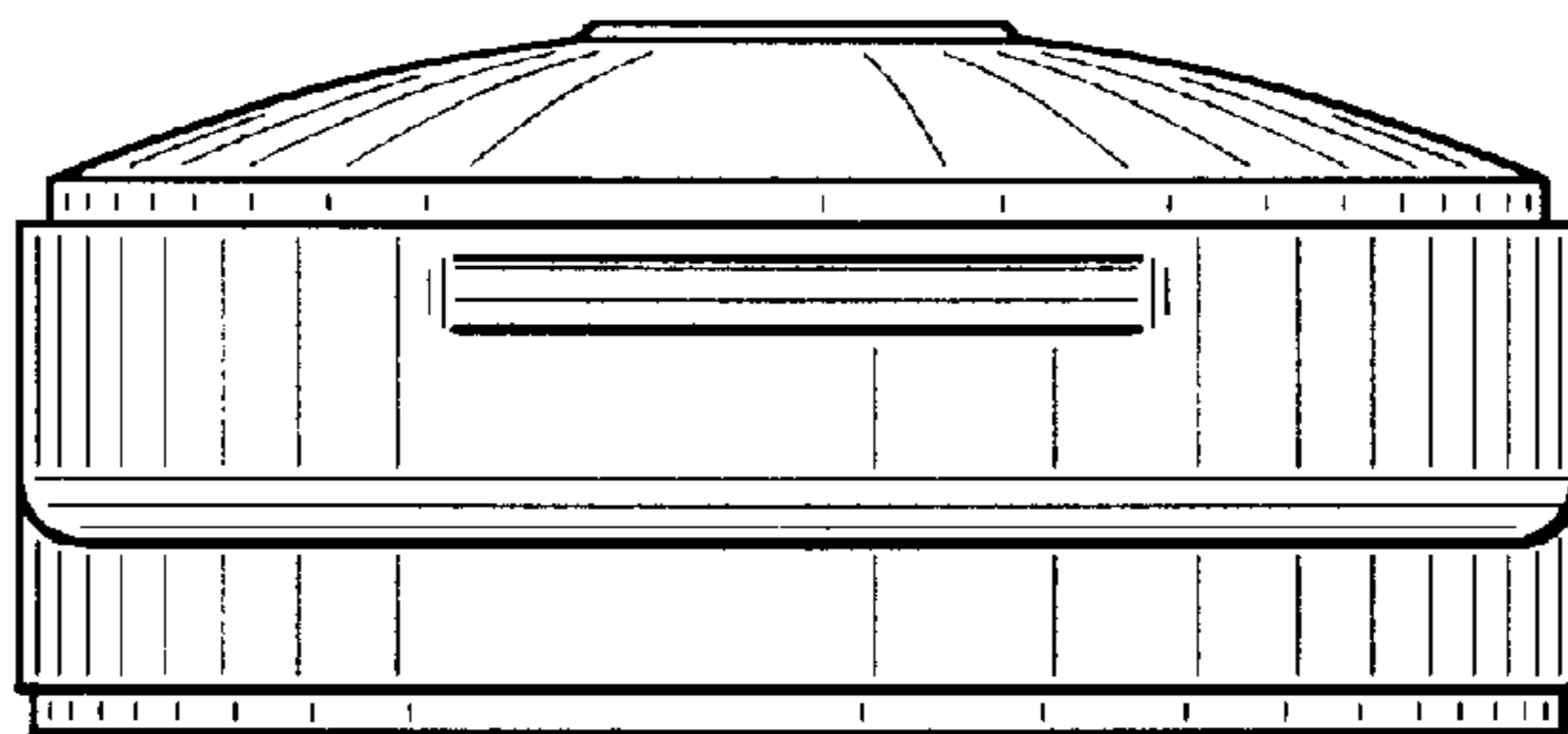


FIG. 8

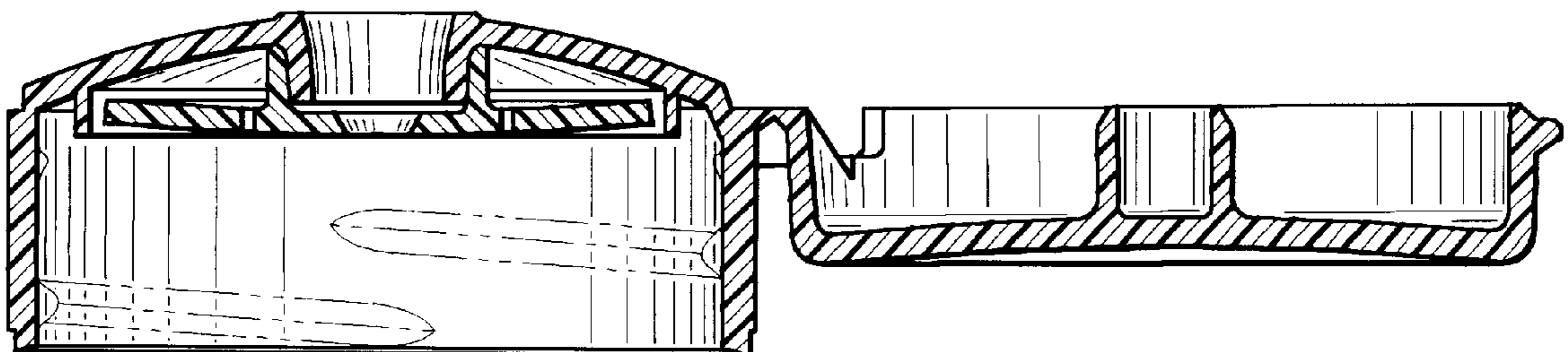


FIG. 9