



US00D455074S

(12) **United States Design Patent** (10) **Patent No.:** **US D455,074 S**  
**Au** (45) **Date of Patent:** **\*\* Apr. 2, 2002**

(54) **WIDE ANGLED ADVERTISING WATCH BOX**

D429,639 S \* 8/2000 Dikowitz ..... D9/422

(75) Inventor: **Kinsen Ka Fai Au**, Hong Kong (HK)

\* cited by examiner

(73) Assignee: **Nationalpak Limited**, Hong Kong (CN)

*Primary Examiner*—Prabhakar Deshmukh  
(74) *Attorney, Agent, or Firm*—Raymond Y. Chan; David and Raymond Patent Group

(\*\*) Term: **14 Years**

(57) **CLAIM**

(21) Appl. No.: **29/133,844**

The ornamental design for a wide angled advertising watch box, as shown and described.

(22) Filed: **Feb. 15, 2001**

**DESCRIPTION**

(51) **LOC (7) Cl.** ..... **09-03**

(52) **U.S. Cl.** ..... **D9/422; D9/415**

(58) **Field of Search** ..... D9/414, 415, 418, D9/422, 337, 455; 206/301, 6.1, 566, 18, 459.5, 45.2, 45.23, 45.24, 756-766, 822, 828, 1.5

FIG. 1 is a perspective view showing my new design.

FIG. 2 is a right view thereof.

FIG. 3 is a left view thereof.

FIG. 4 is a front end view thereof.

FIG. 5 is a back end view thereof.

FIG. 6 is a top view thereof.

FIG. 7 is a bottom view thereof.

FIG. 8 is a perspective view of my new design, wherein the front cover thereof is opened and the holder is detached from the base.

FIG. 9 is an exploded perspective view of my new design in an exploded position; and,

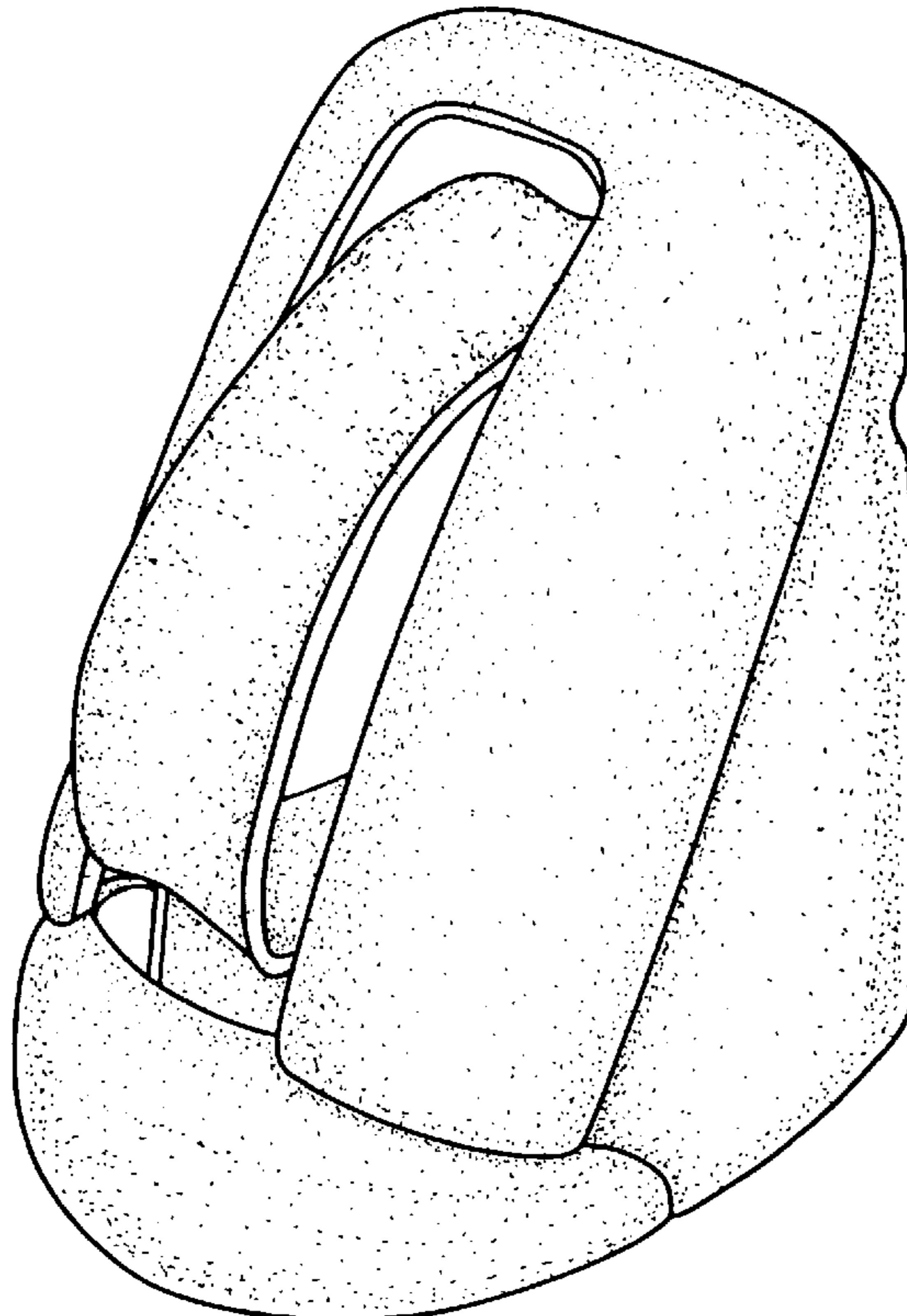
FIG. 10 is a perspective view of my new design illustrating how a watch mounted thereon, wherein the watch illustrated with phanthom lines is not a part of my design.

(56) **References Cited**

**U.S. PATENT DOCUMENTS**

D240,202	S	*	6/1976	Ferguson	.....	D9/422
4,034,849	A	*	7/1977	Zakrajsek	.....	D9/422 X
4,199,059	A	*	4/1980	Maroszek	.....	206/6.1
4,216,858	A	*	8/1980	Beauchamp	.....	206/301
4,830,181	A	*	5/1989	Hartman	.....	206/459.5
5,325,960	A	*	7/1994	Sims	.....	206/765
D349,553	S	*	8/1994	Au	.....	D9/422
5,579,906	A	*	12/1996	Fabbri et al.	.....	206/301
D425,789	S	*	5/2000	Au	.....	D9/422

**1 Claim, 10 Drawing Sheets**



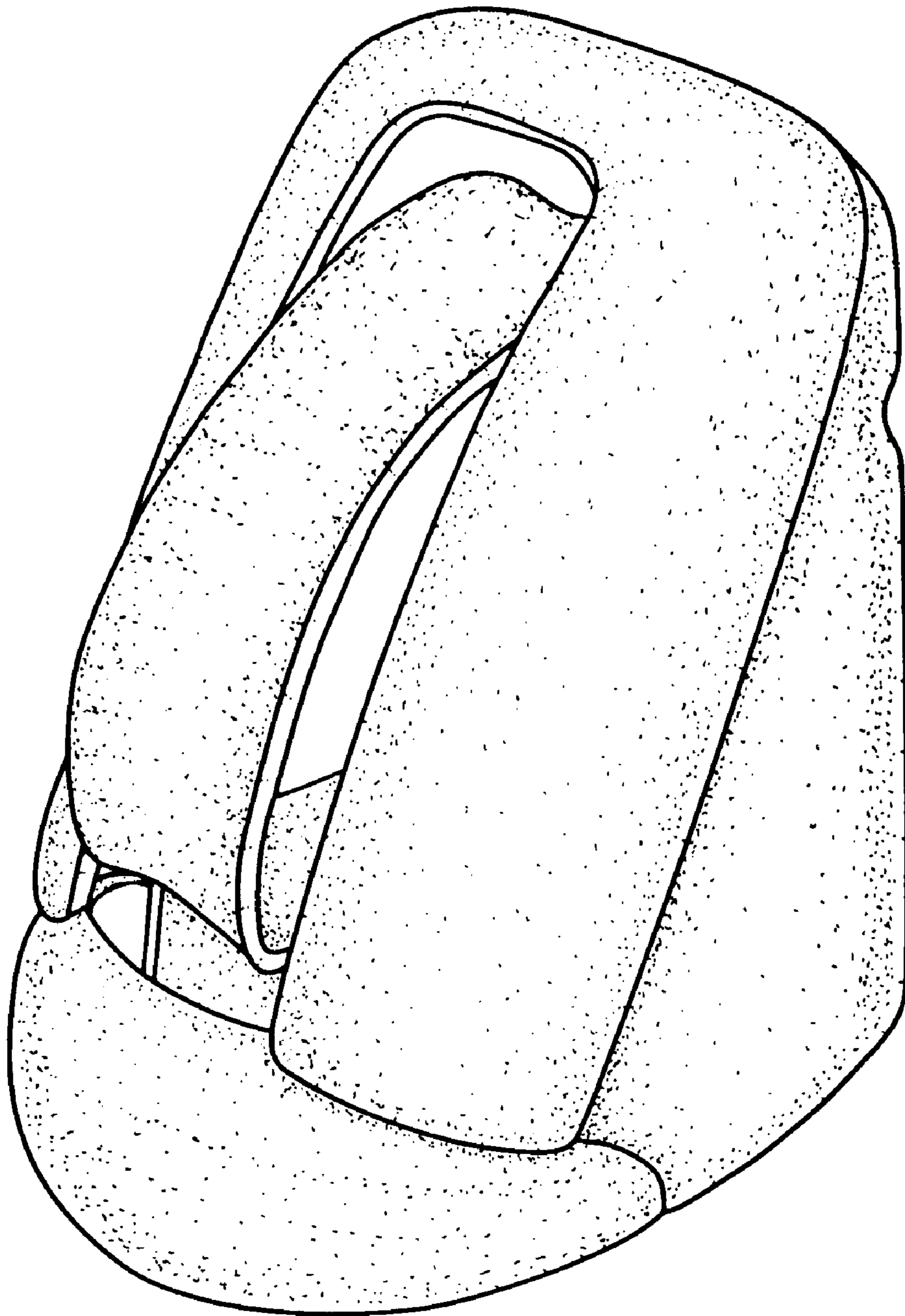


FIG.1

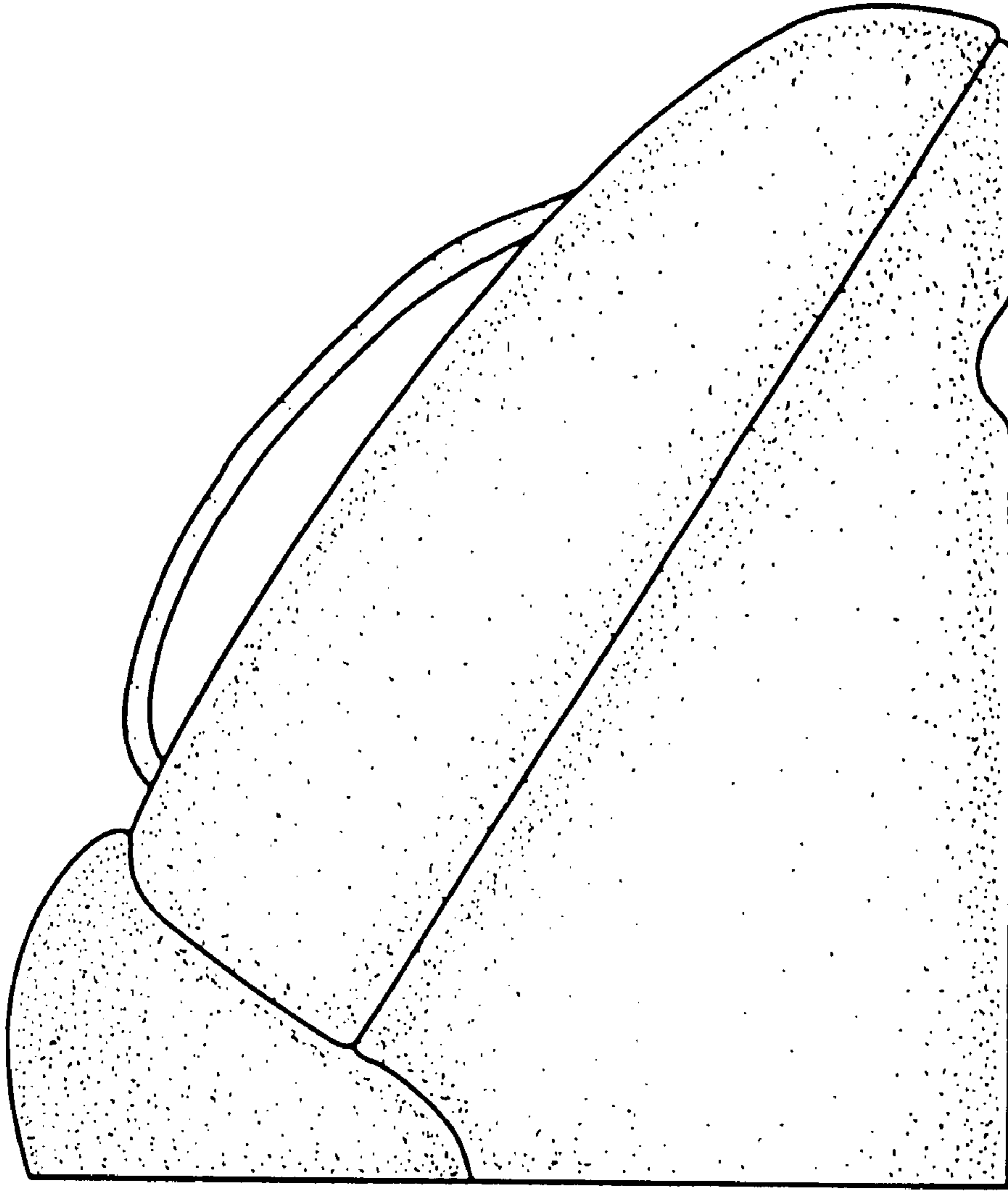


FIG.2

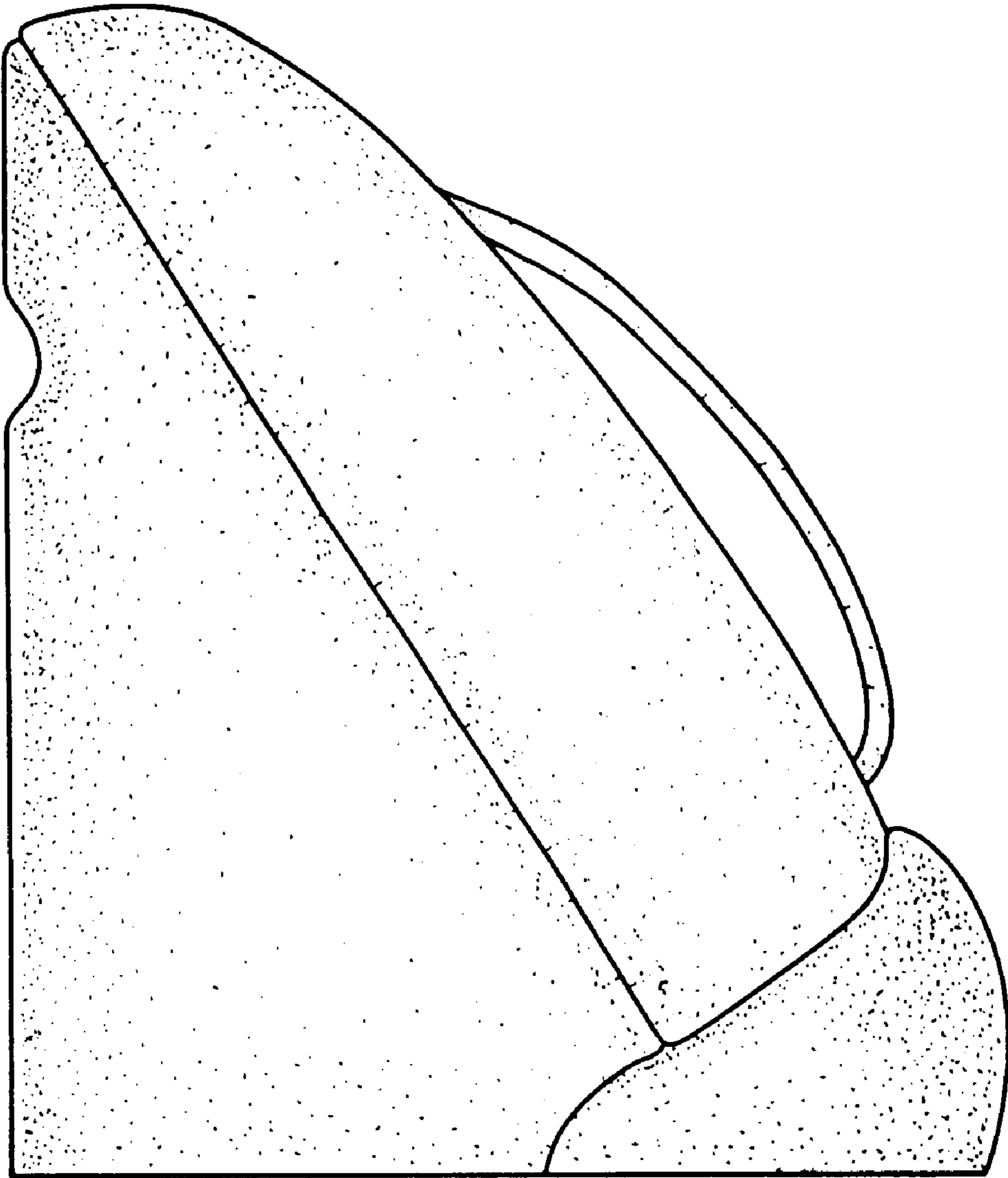


FIG.3

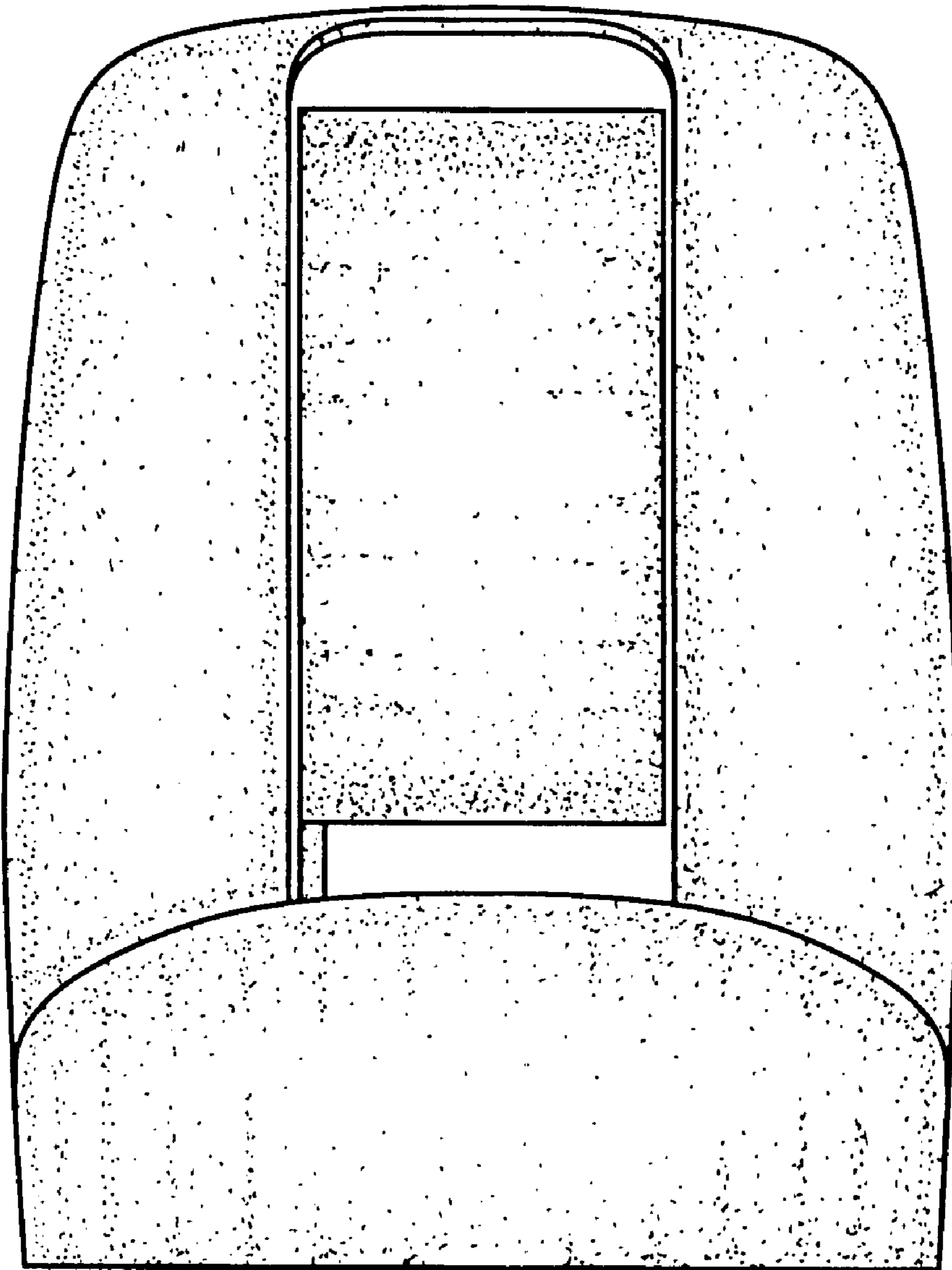


FIG.4

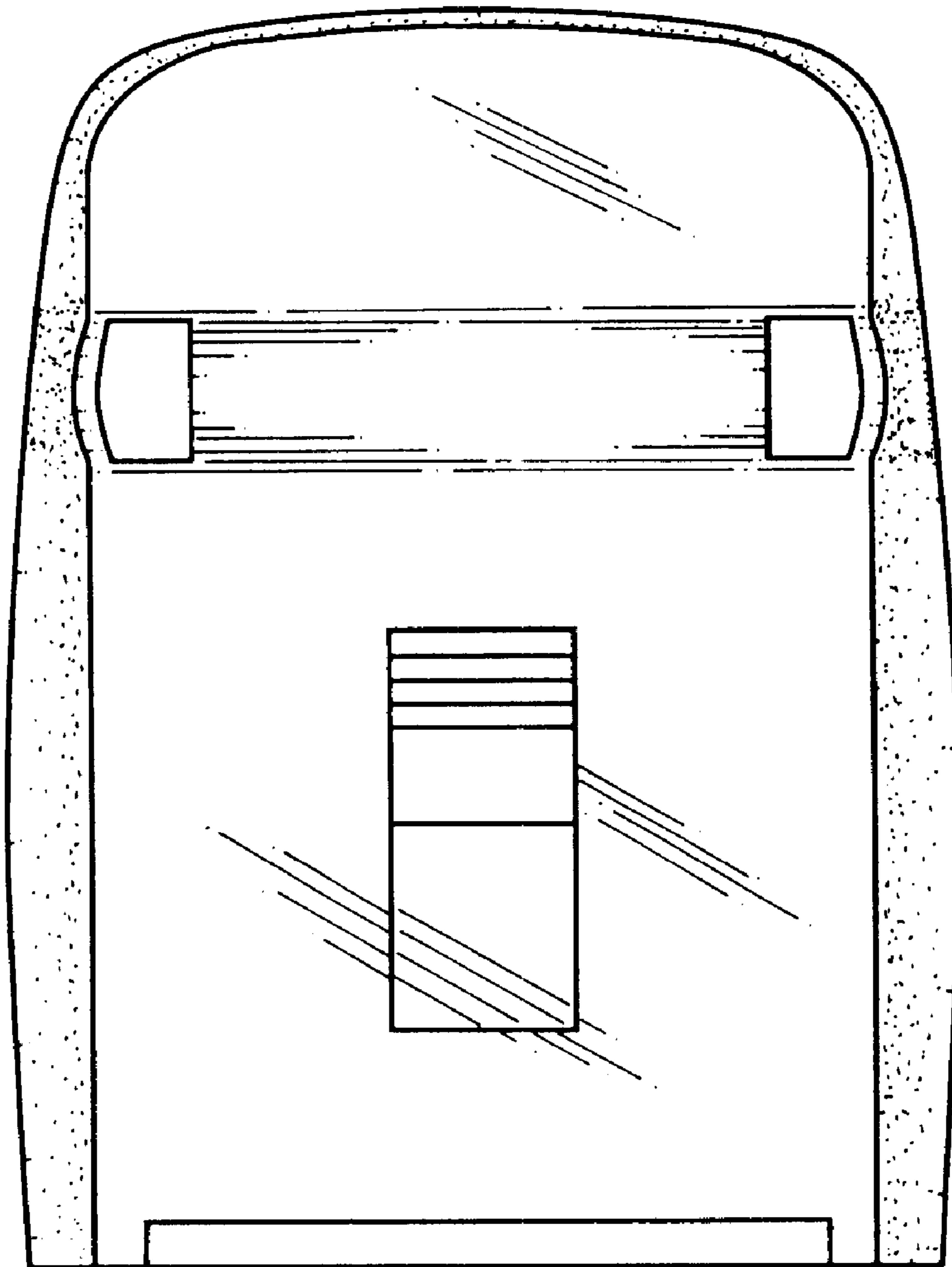


FIG.5

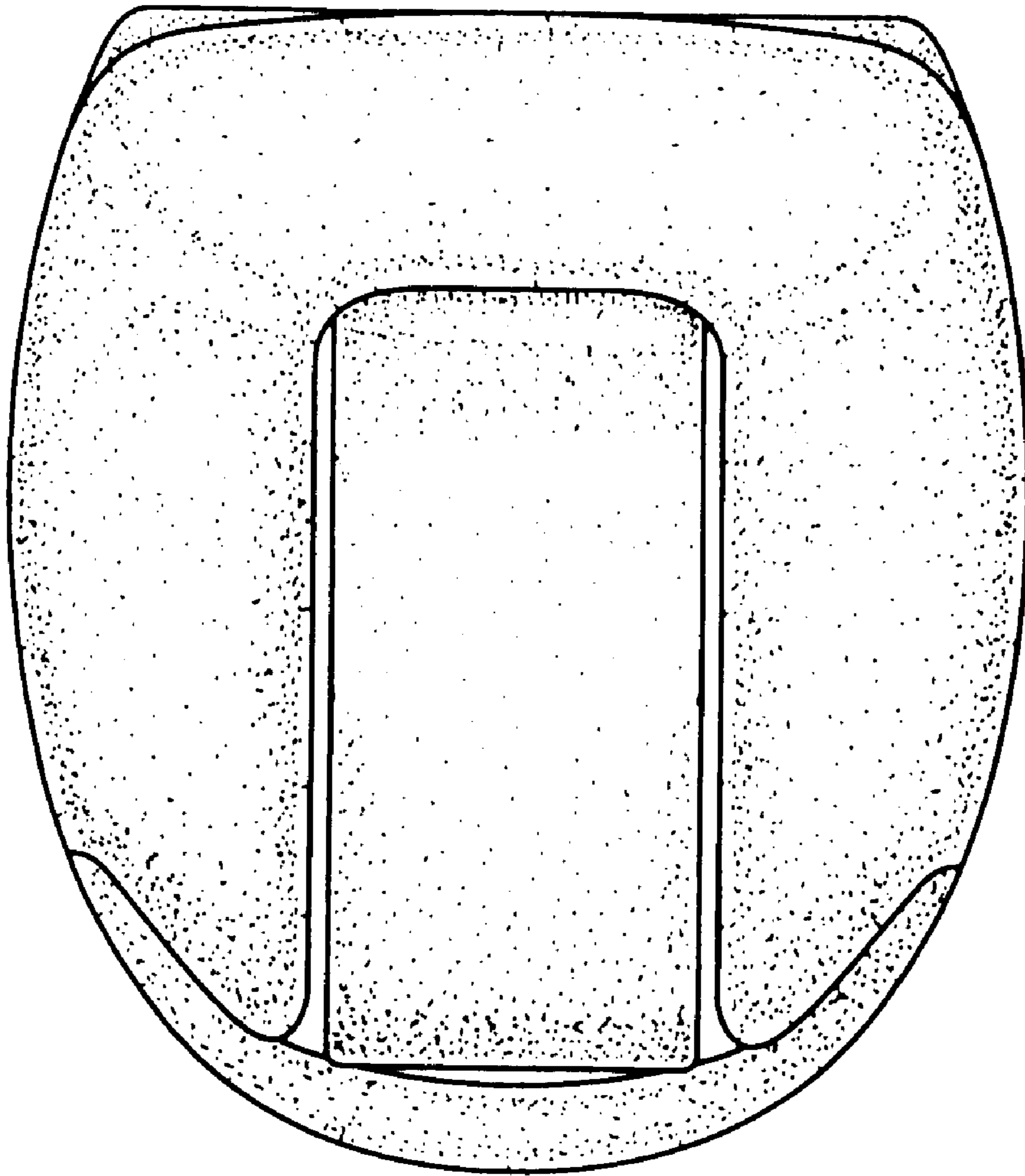


FIG.6

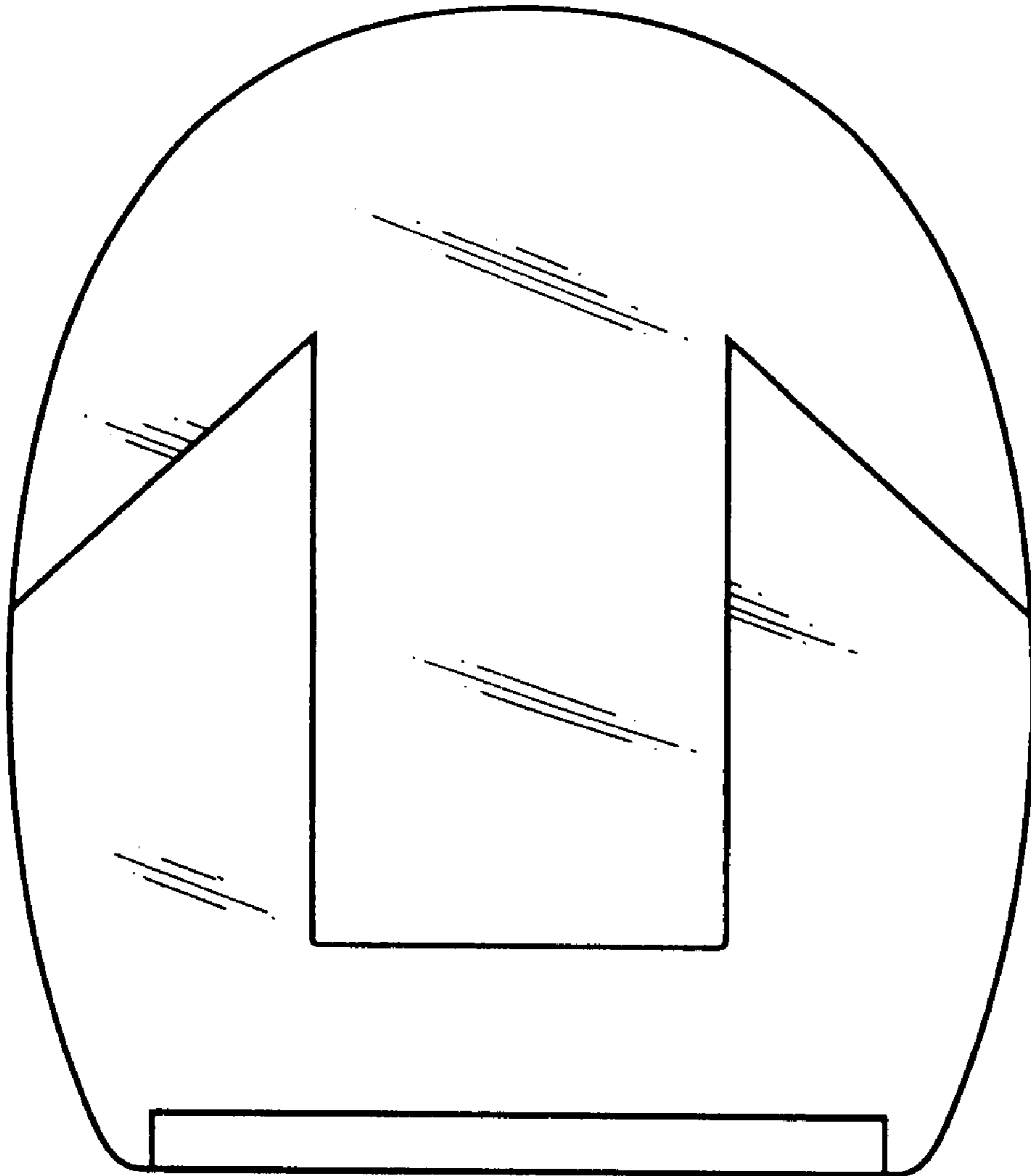


FIG.7



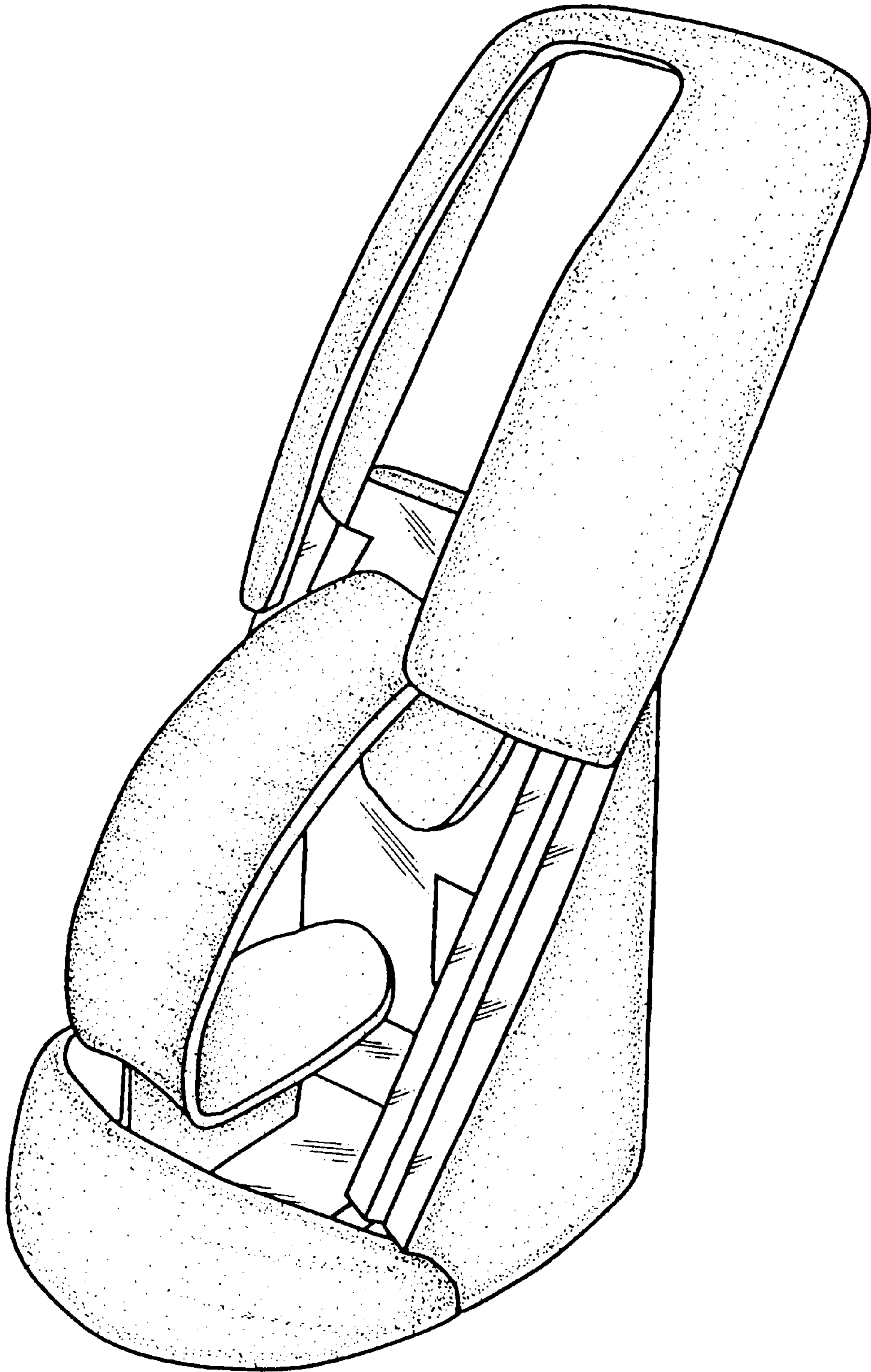


FIG.8

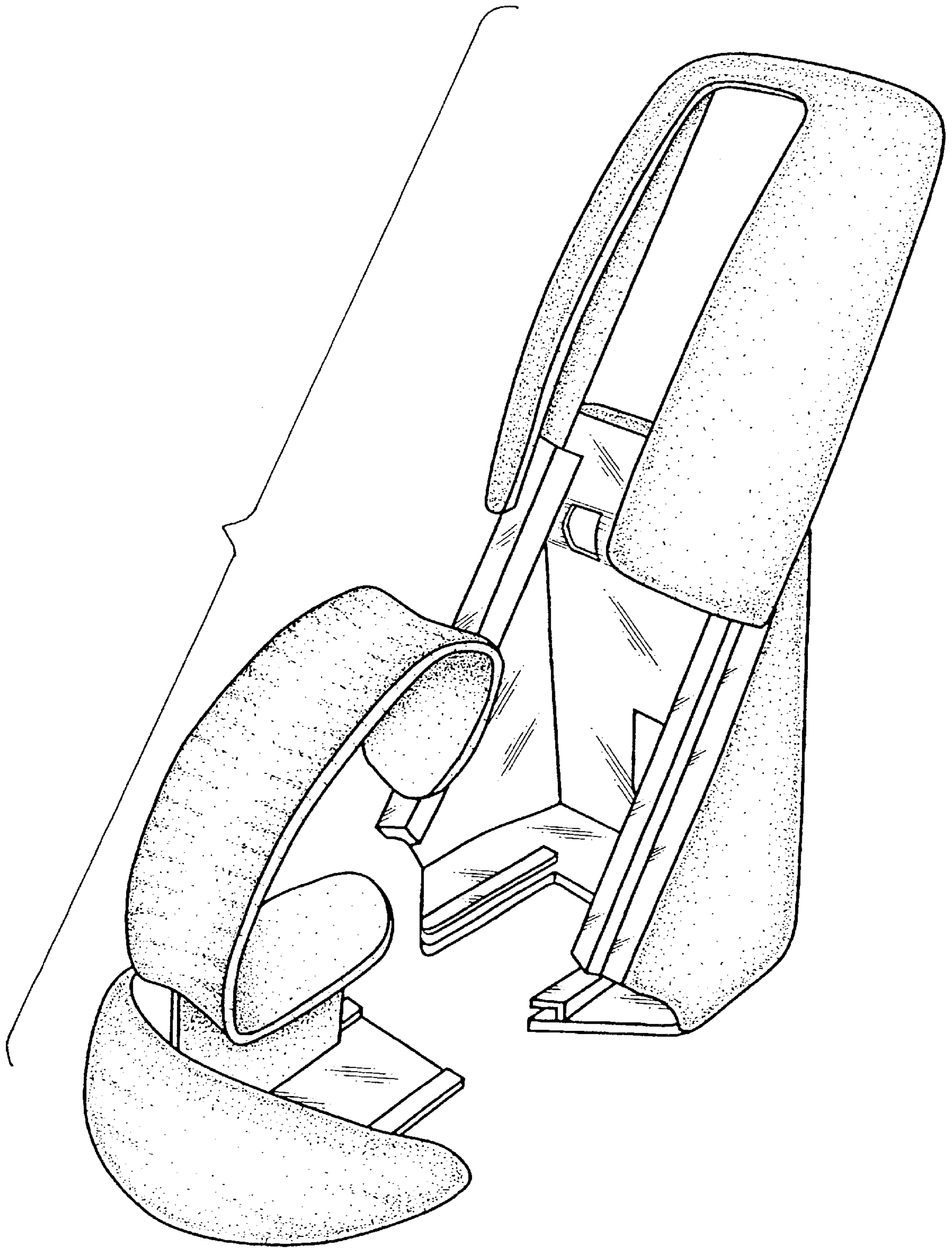


FIG.9

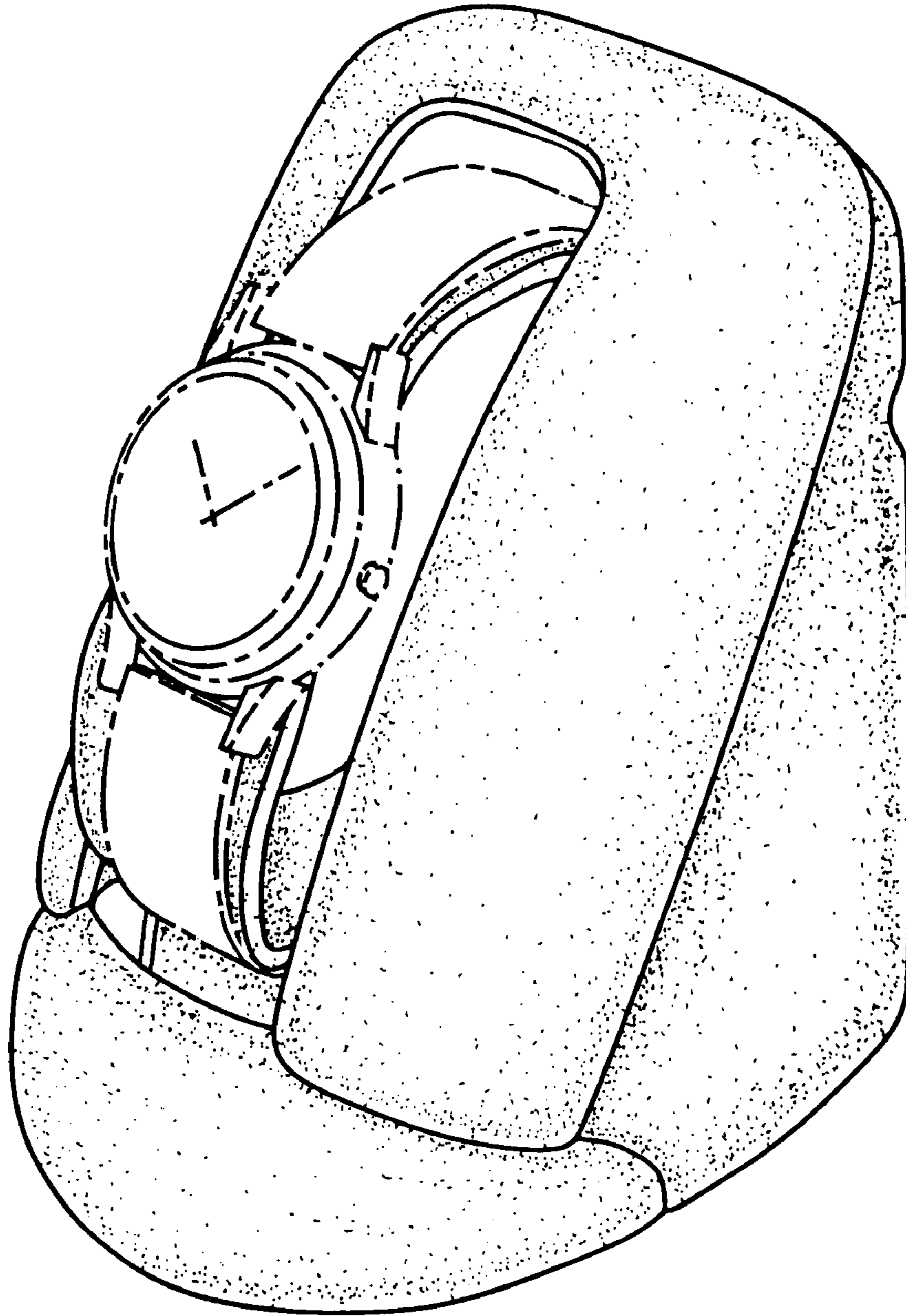


FIG.10