



US00D455072S

(12) **United States Design Patent**
Findle et al.

(10) **Patent No.:** **US D455,072 S**

(45) **Date of Patent:** **** Apr. 2, 2002**

(54) **DISPLAY PACKAGE FOR TOOL BELTS AND RELATED PRODUCTS**

(75) Inventors: **Daniel G. Findle**, White Hall; **David F. Vock**, Cockeysville; **William E. Hawkins**, Odenton; **Matthew J. Holland**, Baltimore, all of MD (US)

(73) Assignee: **Black & Decker Inc.**, Newark, DE (US)

(**) Term: **14 Years**

(21) Appl. No.: **29/148,380**

(22) Filed: **Sep. 19, 2001**

Related U.S. Application Data

(62) Division of application No. 29/129,231, filed on Sep. 7, 2000.

(51) **LOC (7) Cl.** **09-03**

(52) **U.S. Cl.** **D9/415**

(58) **Field of Search** D9/415, 418, 341, D9/346, 337; 206/461-471, 495, 806, 730, 349, 353, 362.4; D3/905, 327; 248/690, 691

(56) **References Cited**

U.S. PATENT DOCUMENTS

D243,443 S * 2/1977 Hayashi D9/415

4,537,310 A	*	8/1985	Thul	206/806
4,832,301 A	*	5/1989	Hiramoto et al.	248/691
D380,377 S	*	7/1997	Sato	D9/415
5,740,911 A	*	4/1998	Chou	206/806
D405,370 S	*	2/1999	Humphrey	D9/415
D423,928 S	*	5/2000	Kumakura	D9/415
D432,010 S	*	10/2000	Etzel	D9/415

* cited by examiner

Primary Examiner—Prabhakar Deshmukh

(74) *Attorney, Agent, or Firm*—Harness, Dickey & Pierce, P.L.C.

(57) **CLAIM**

The ornamental design for a display package for tool belts and related products, as shown and described.

DESCRIPTION

FIG. 1 is a front plan view of an embodiment of a display package for tool belts and related products (shown in phantom) according to the present invention;

FIG. 2 is a right side view thereof;

FIG. 3 is a left side view thereof;

FIG. 4 is a front plan view thereof;

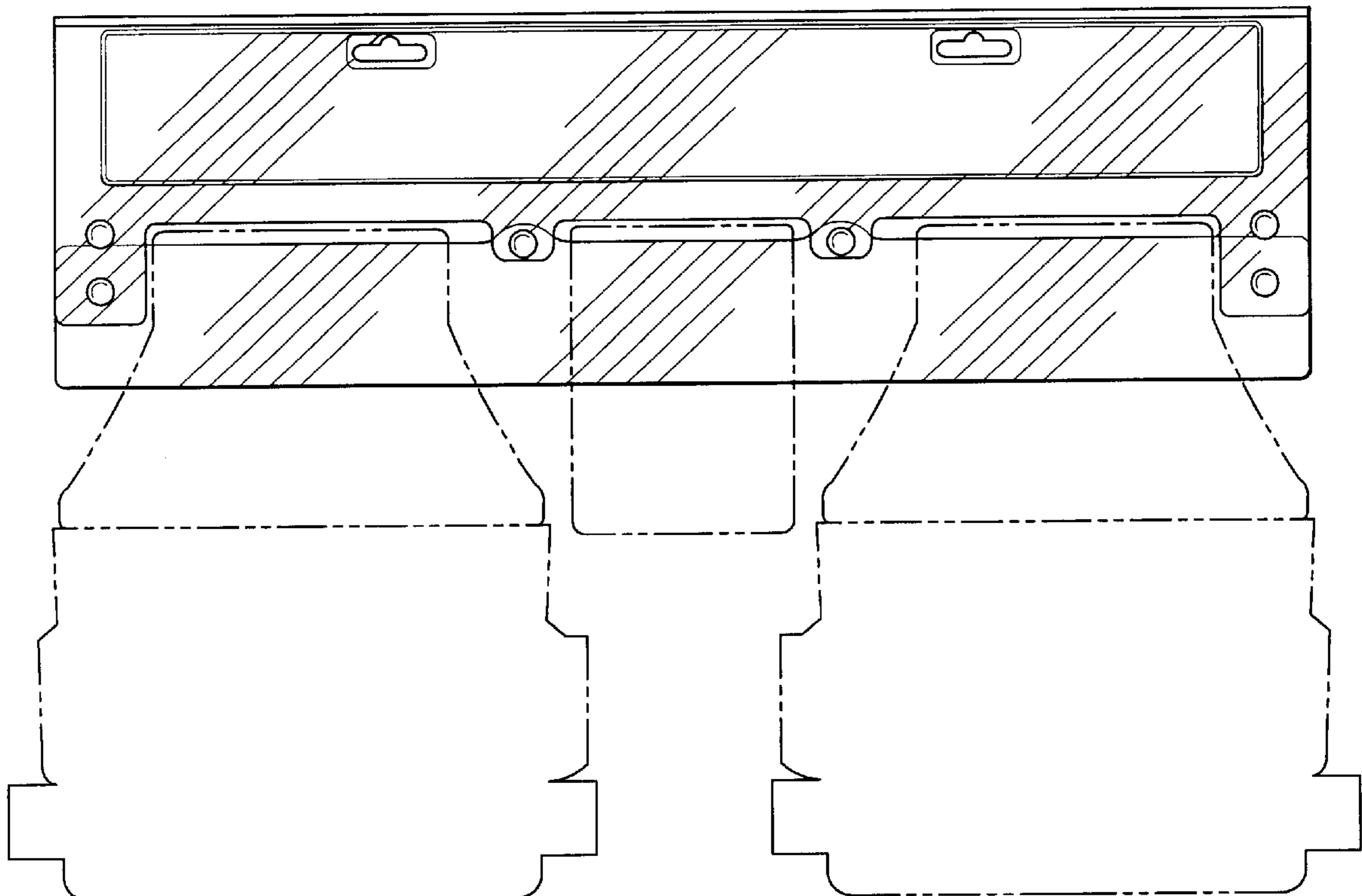
FIG. 5 is a top view thereof;

FIG. 6 is a bottom view thereof; and,

FIG. 7 is a rear plan view thereof.

The broken line showing of products is for illustrative purpose only and forms no part of the claimed design.

1 Claim, 3 Drawing Sheets



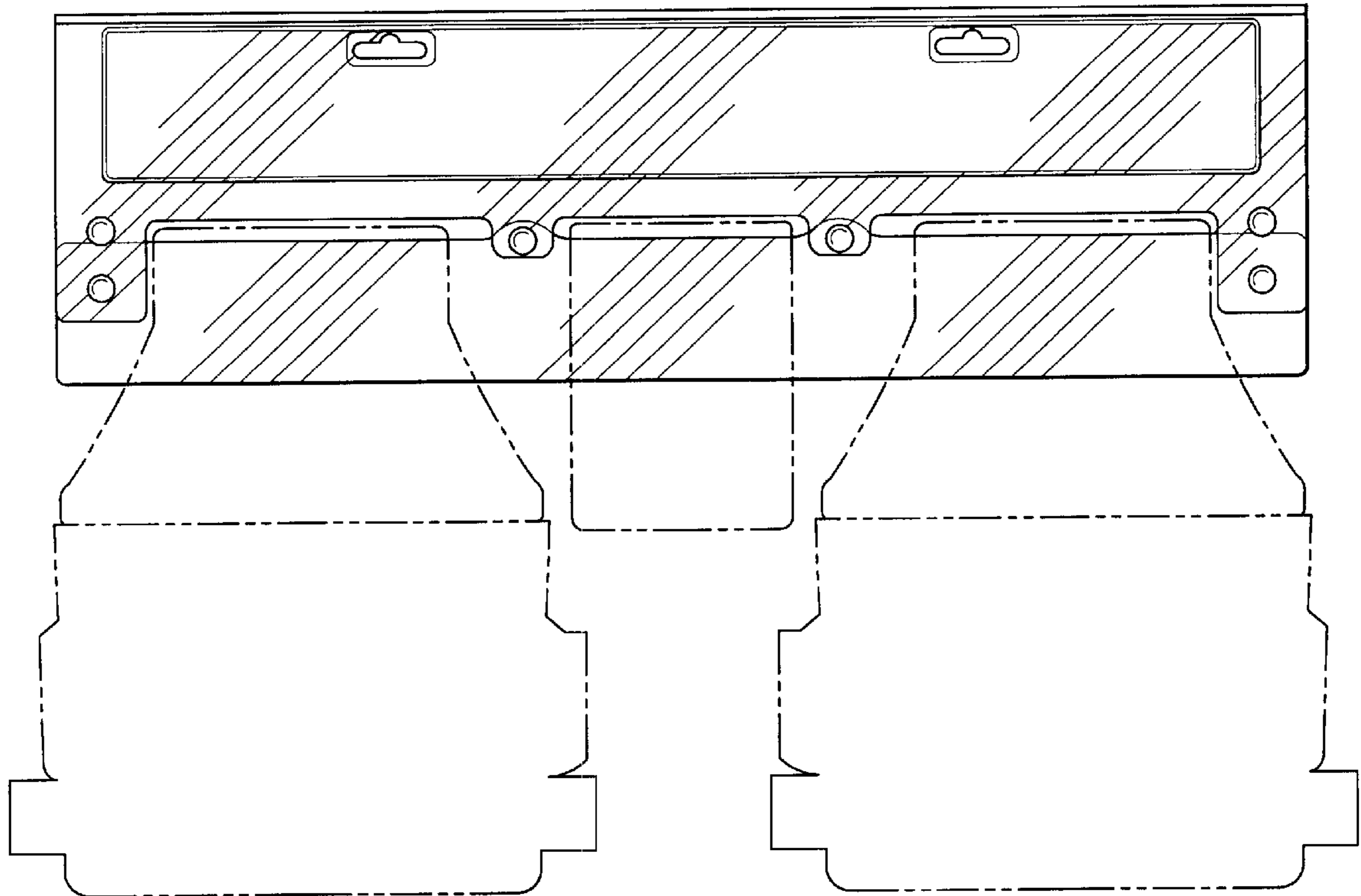


Fig-1

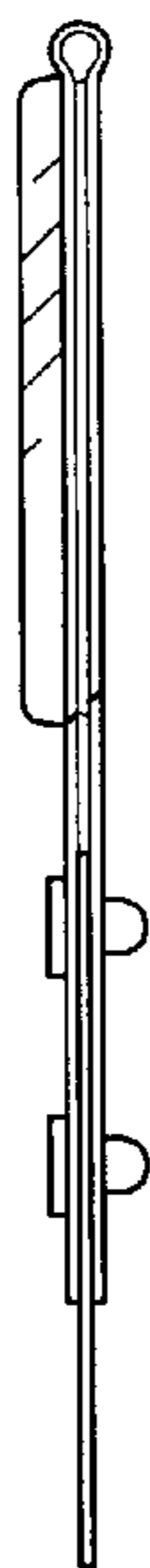


Fig-2



Fig-3

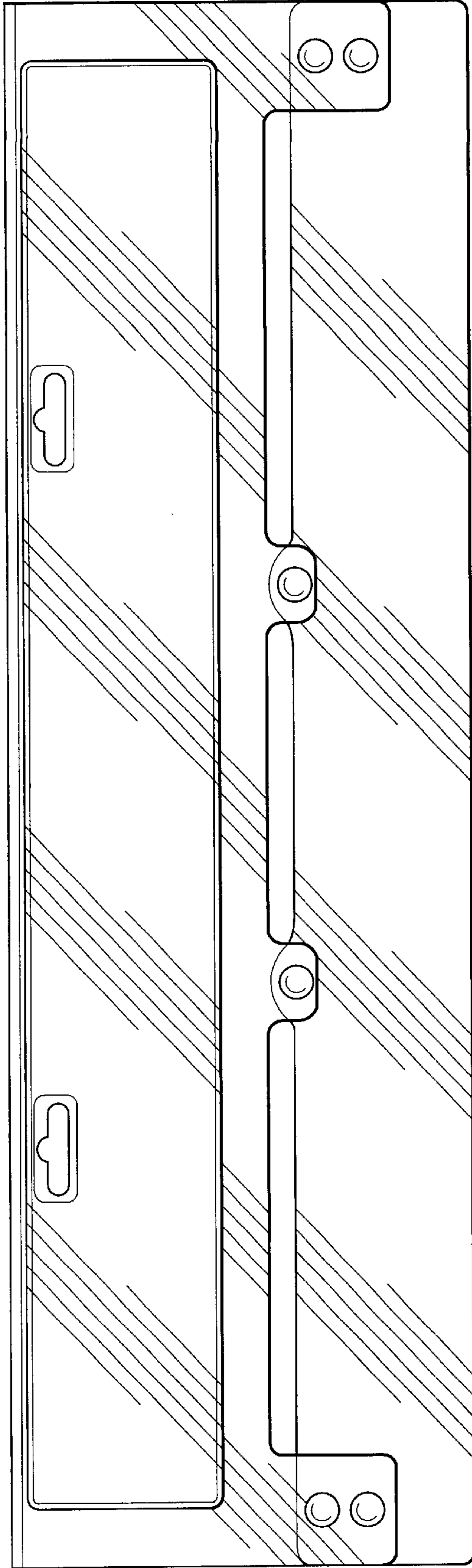


Fig-4

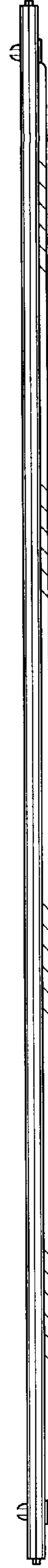


Fig-5

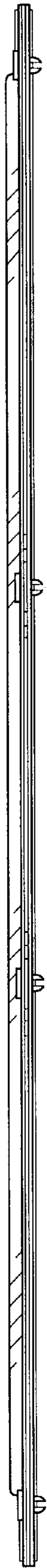


Fig-6

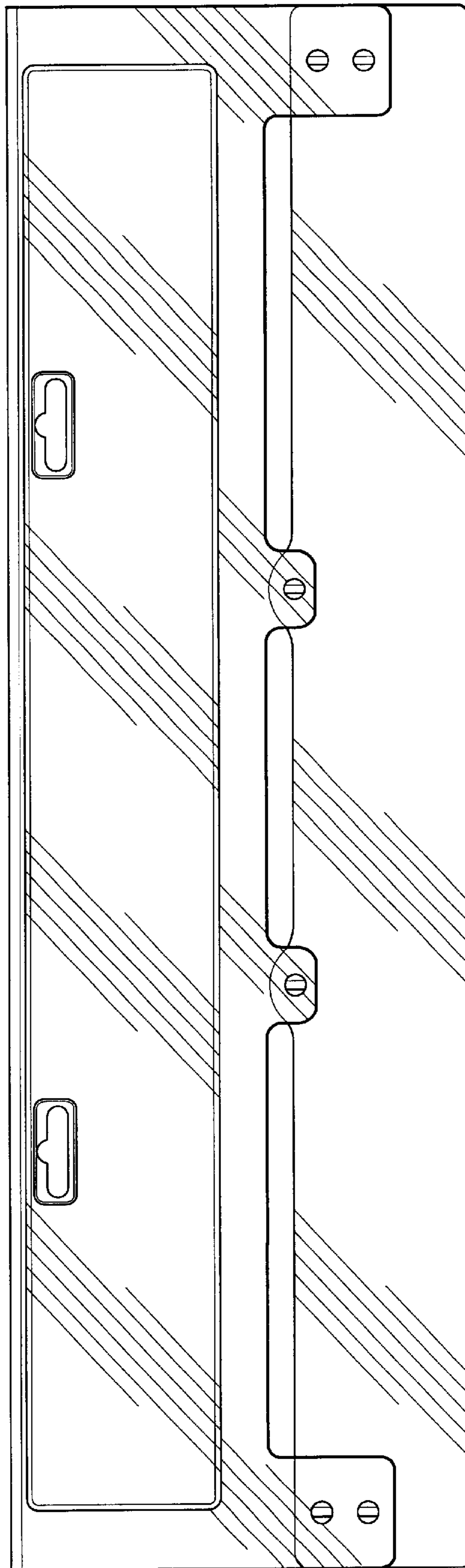


Fig-7