



US00D455067S

(12) **United States Design Patent**
Shea

(10) **Patent No.:** **US D455,067 S**

(45) **Date of Patent:** **** Apr. 2, 2002**

(54) **OFF-SHELF MERCHANDISE SUPPORT BRACKET**

(76) **Inventor:** **Thomas M. Shea**, 1343 Rochester Rd., Suite 100, Troy, MI (US) 48083

(**) **Term:** **14 Years**

(21) **Appl. No.:** **29/132,692**

(22) **Filed:** **Nov. 13, 2000**

(51) **LOC (7) Cl.** **08-05**

(52) **U.S. Cl.** **D8/373**

(58) **Field of Search** D8/349, 373; D20/43, D20/42, 40; 40/698, 611, 606, 607, 661.03, 642.02; 211/4, 51, 149, 48, 49.1, 59.1; 248/214, 205.1, 417, 229.15, 553, 223.41, 220.22, 226.11, 227.1, 220.3

(56) **References Cited**

U.S. PATENT DOCUMENTS

3,429,539 A	2/1969	Lucietto	
4,286,764 A	* 9/1981	Pfeifer 248/220.3
4,373,693 A	2/1983	Greenberger	
4,671,002 A	6/1987	Fast	
4,706,917 A	11/1987	Thalenfeld	
4,871,135 A	10/1989	Thalenfeld	
4,909,464 A	3/1990	Levine et al.	
5,344,250 A	9/1994	Kringel et al.	

5,372,344 A	12/1994	Syvuk	
5,472,289 A	12/1995	Kringel et al.	
D376,388 S	* 12/1996	Hall D20/43
5,671,851 A	* 9/1997	Johnson et al. 211/51
5,682,698 A	11/1997	Bevins	
5,832,644 A	11/1998	Mason	
5,967,343 A	10/1999	Dufresne	
D422,483 S	4/2000	Shea	
6,105,295 A	8/2000	Brinkman et al.	

* cited by examiner

Primary Examiner—Pamela Burgess
(74) *Attorney, Agent, or Firm*—Gifford, Krass, Groh, Sprinkle, Anderson & Citkowski, P.C.

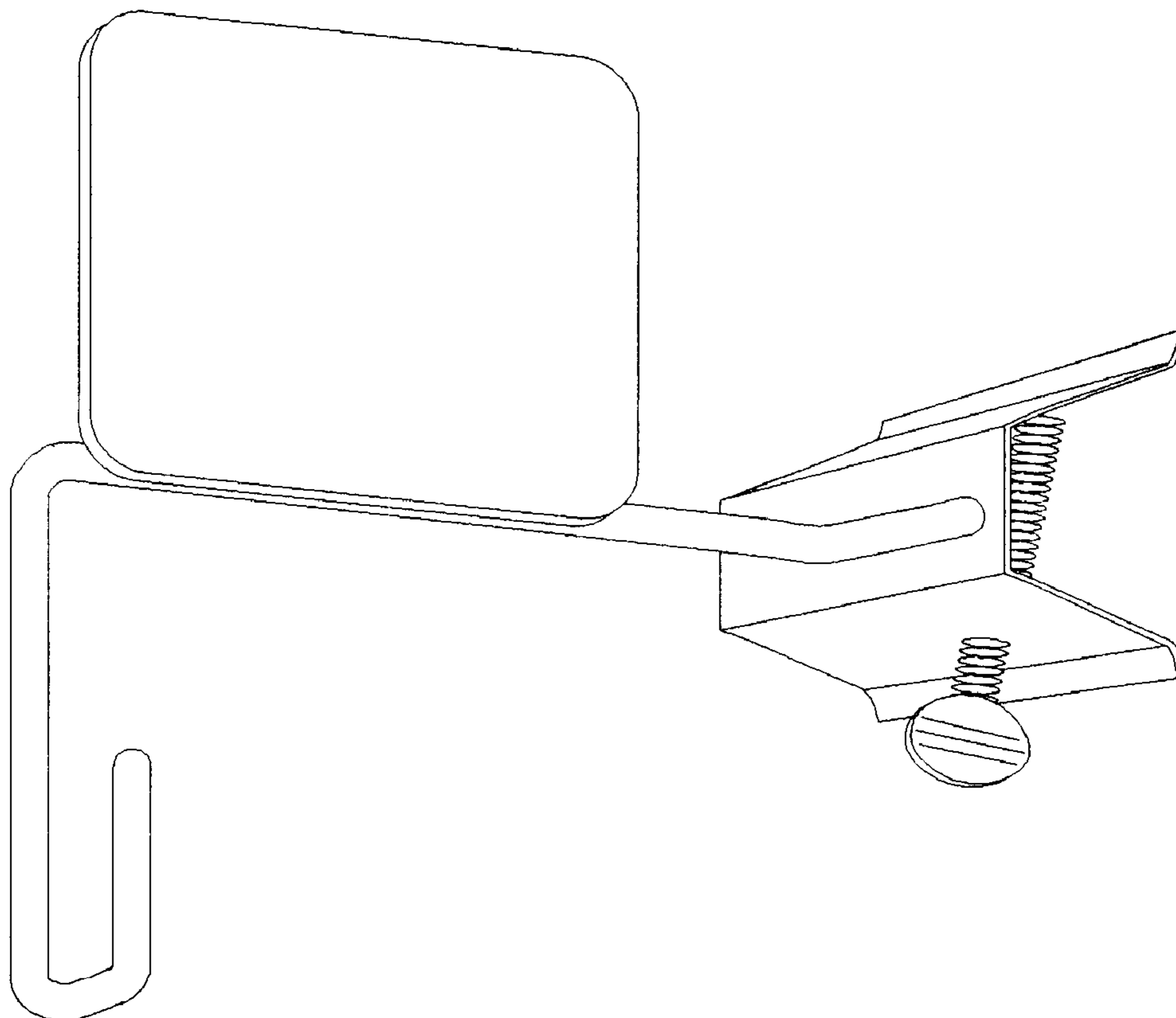
(57) **CLAIM**

I claim the ornamental design for an off-shelf merchandise support bracket, as shown and described.

DESCRIPTION

FIG. 1 is an enlarged perspective view of the off-shelf merchandise support bracket showing my new design; FIG. 2 is a right side elevational view thereof; FIG. 3 is a left side elevational view thereof; FIG. 4 is a front elevational view thereof; FIG. 5 is a rear elevational view thereof; FIG. 6 is a top plan view thereof; and, FIG. 7 is a bottom plan view thereof.

1 Claim, 4 Drawing Sheets



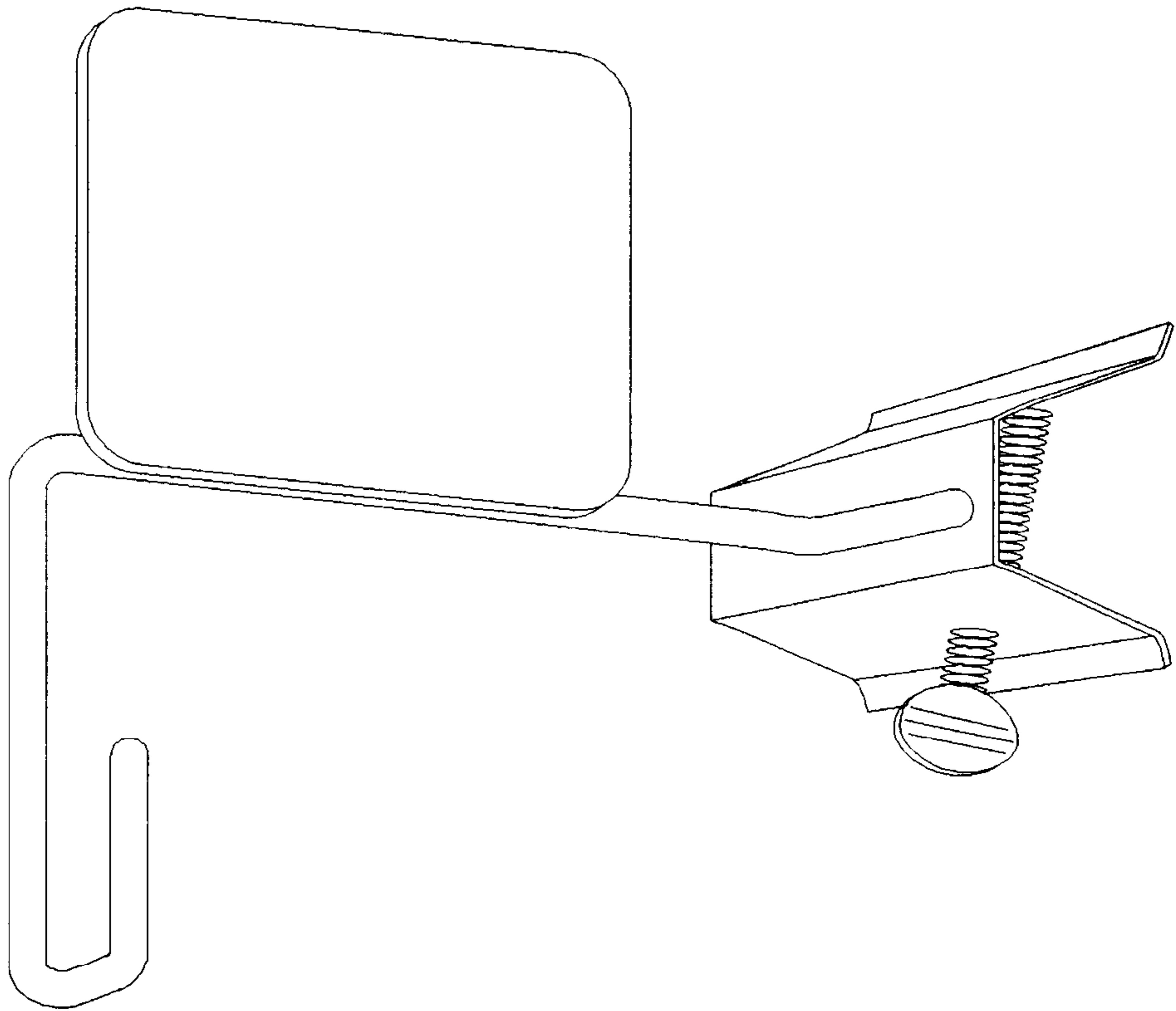


FIG. 1

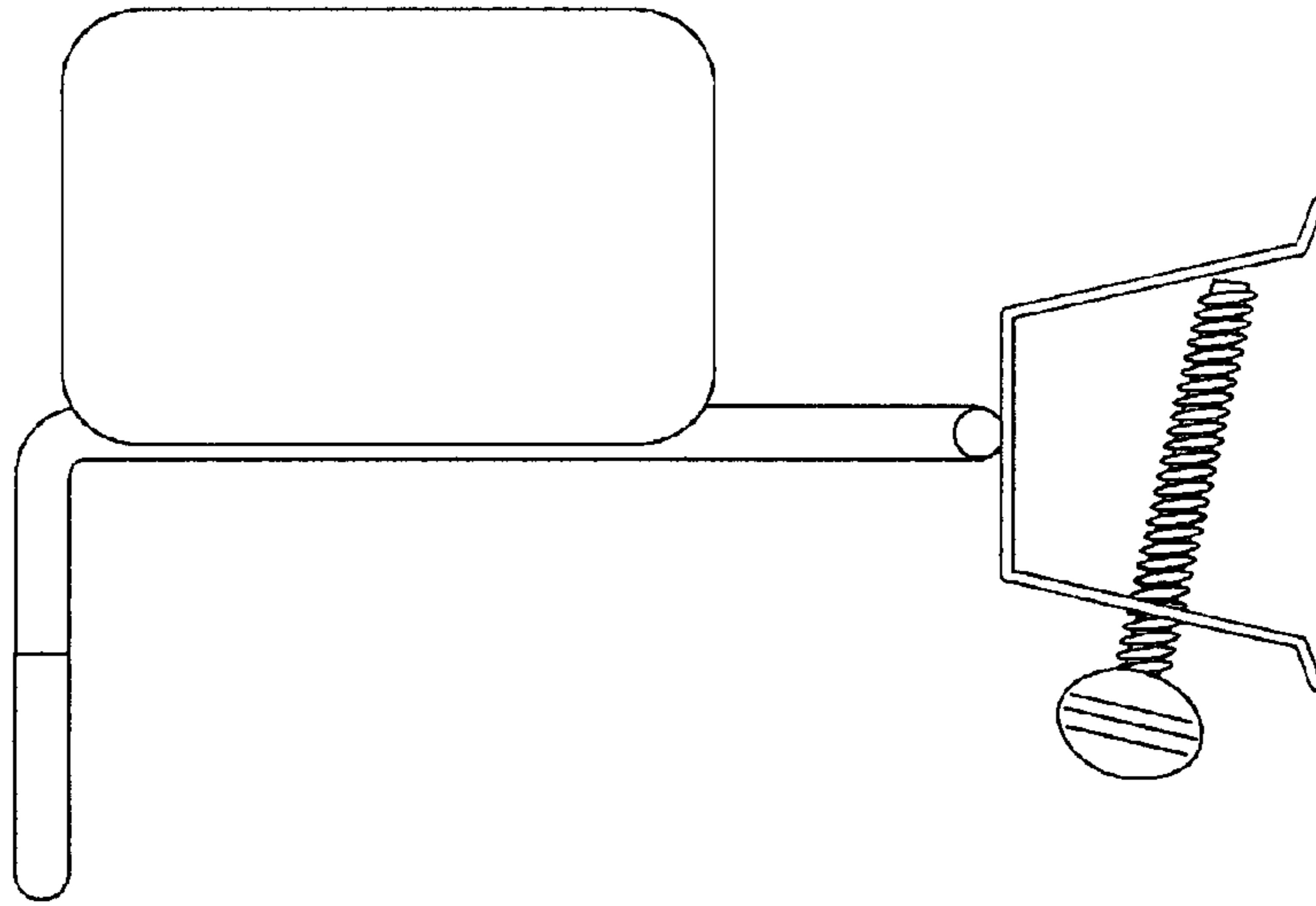


FIG. 2

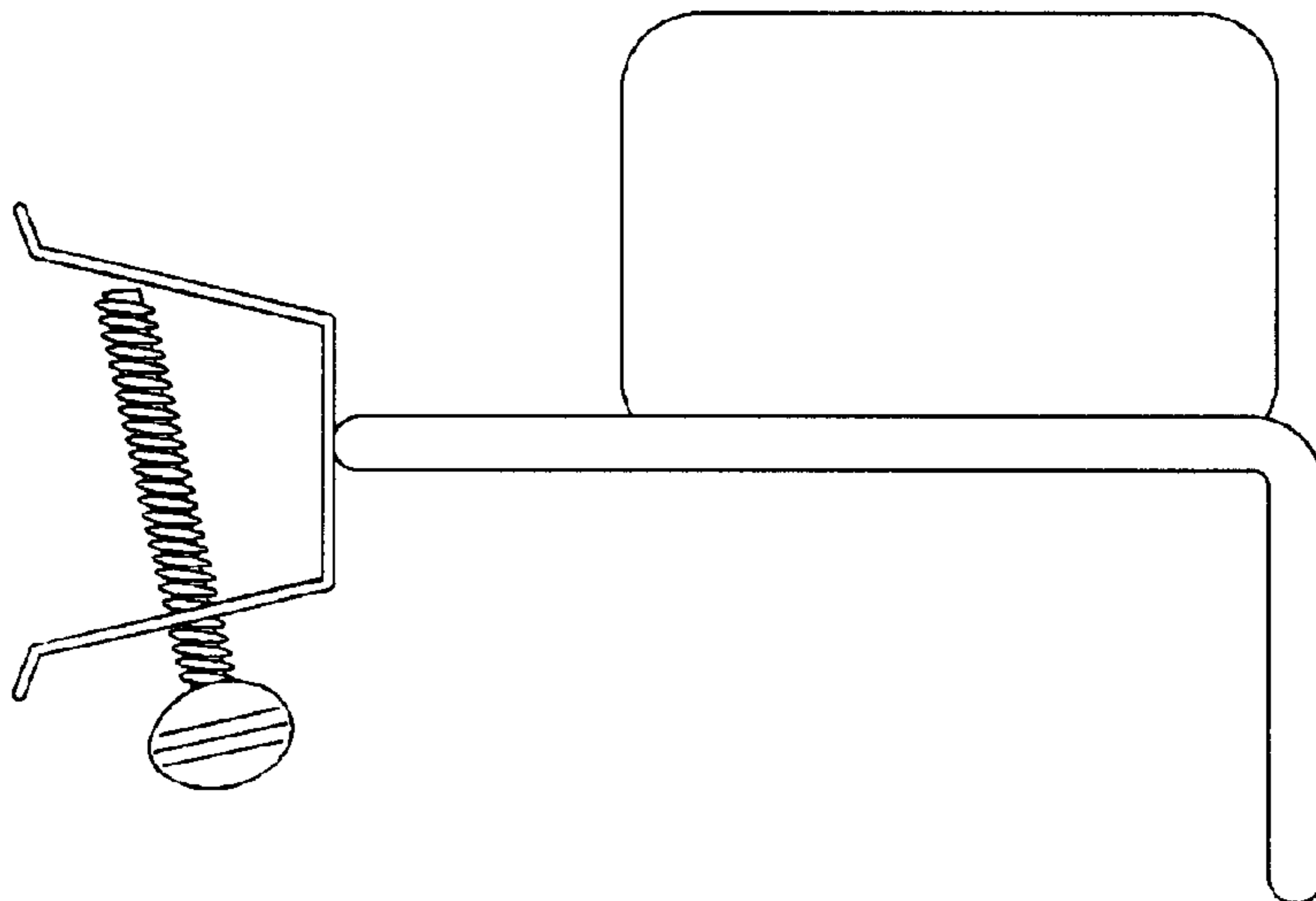


FIG. 3

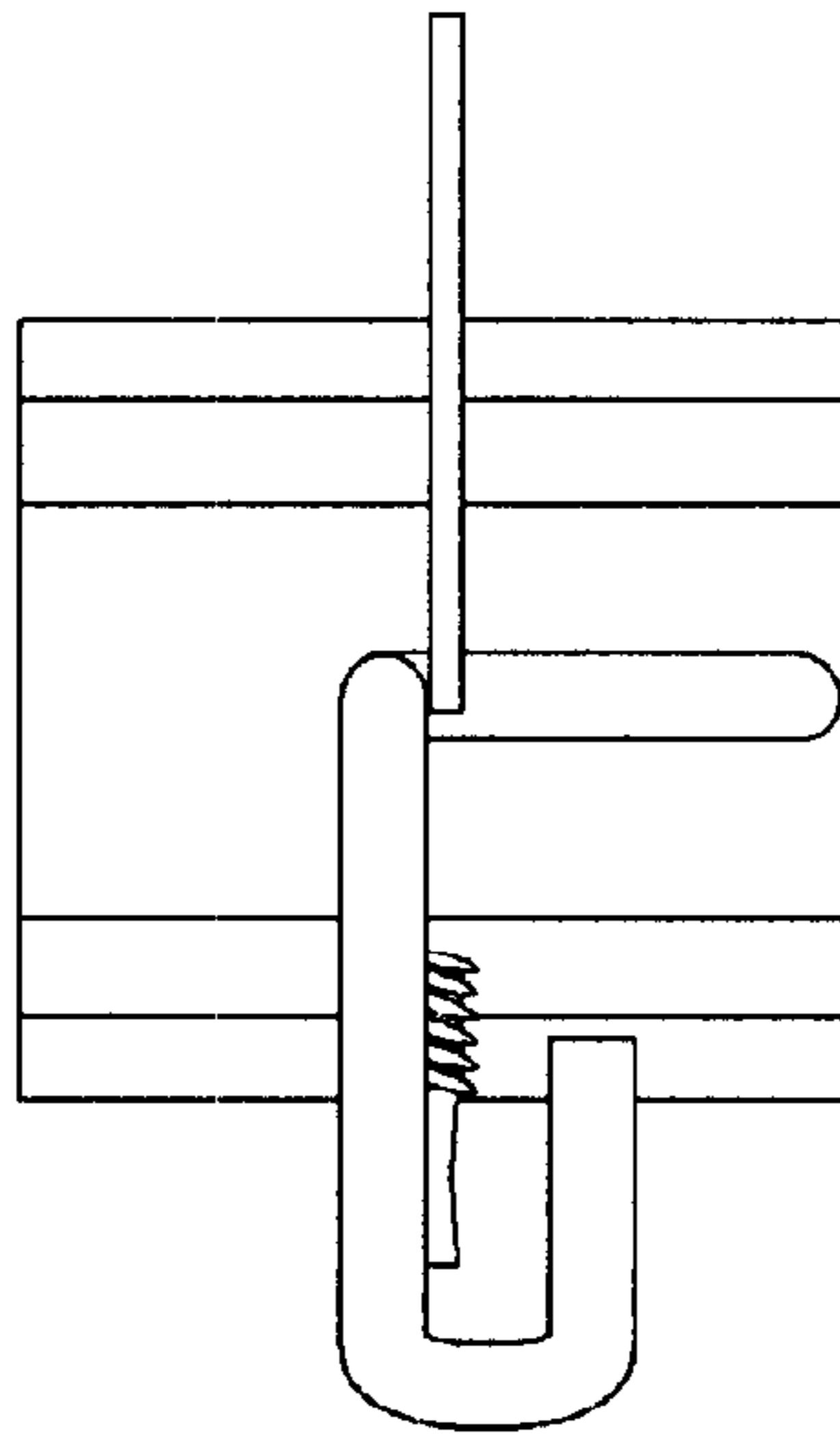


FIG. 4

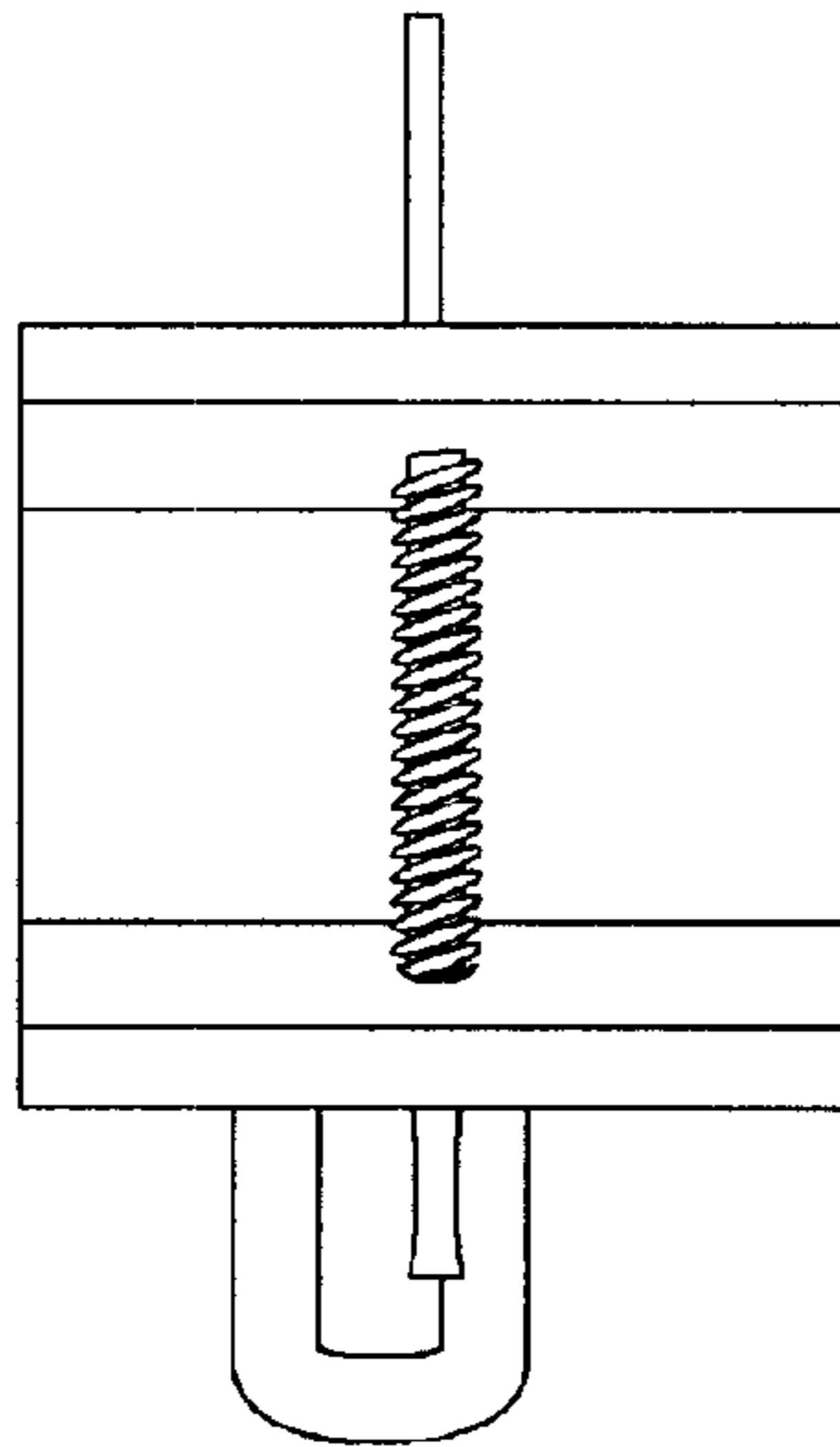


FIG. 5

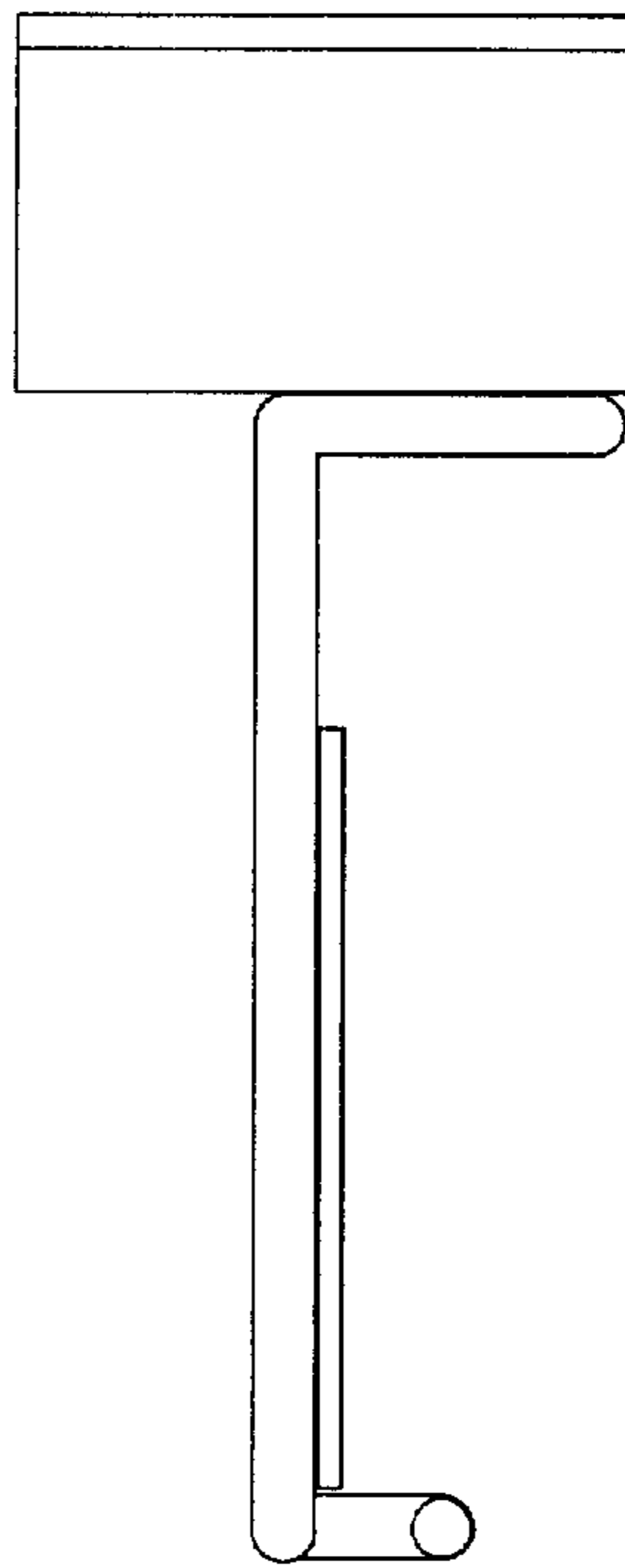


FIG. 6

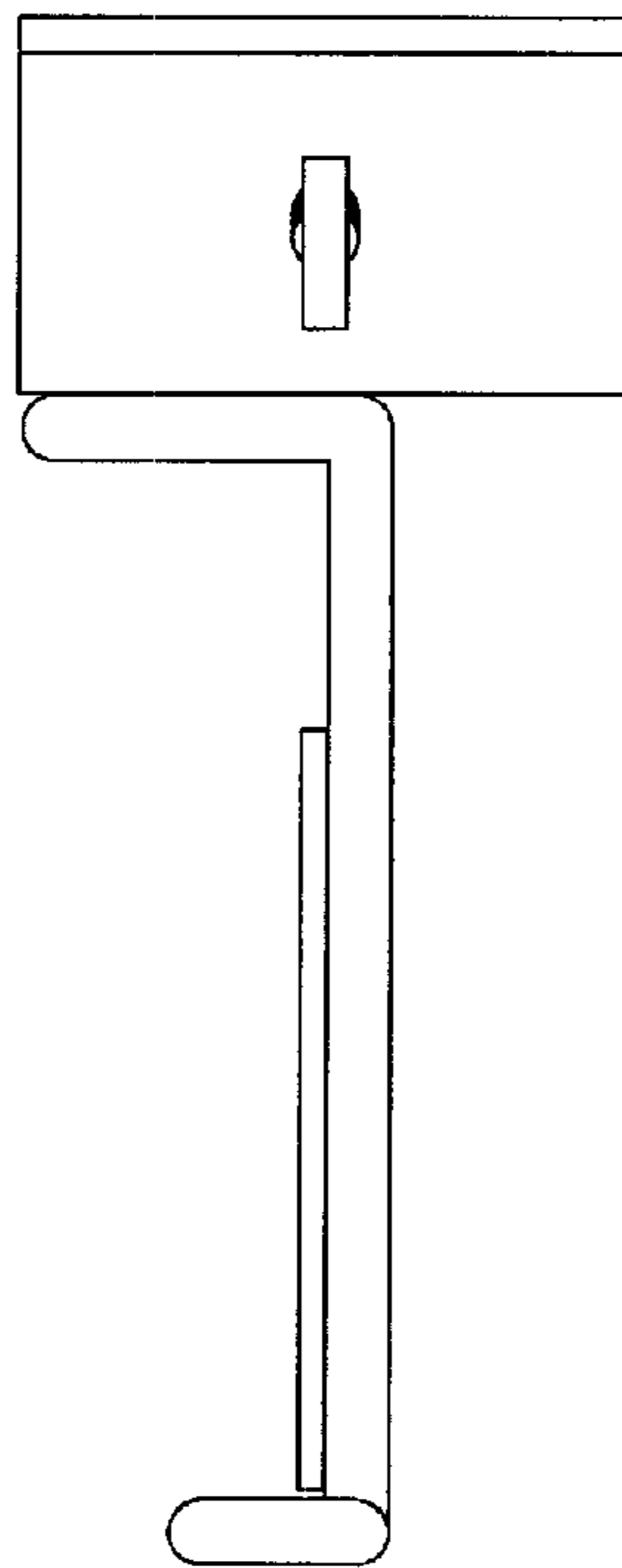


FIG. 7