



US00D455066S

(12) **United States Design Patent**
Kolinen

(10) **Patent No.:** **US D455,066 S**

(45) **Date of Patent:** **** Apr. 2, 2002**

(54) **WALL STAND**

(75) Inventor: **Petteri Kolinen**, Helsinki (FI)

(73) Assignee: **Nokia Mobile Phones Ltd.**, Espoo (FI)

(**) Term: **14 Years**

(21) Appl. No.: **29/128,188**

(22) Filed: **Aug. 18, 2000**

(30) **Foreign Application Priority Data**

Feb. 18, 2000 (FI) M20000110

(51) **LOC (7) Cl.** **08-05**

(52) **U.S. Cl.** **D8/373; D8/354; D13/118;**
D14/240

(58) **Field of Search** D14/137, 434,
D14/138, 447, 148, 147, 149-151, 140-142,
240, 241, 251, 253, 451; 379/426, 449,
419, 420.04, 428.01, 440, 454, 455, 446;
455/550-575, 90; D13/107, 108, 118; 320/110,
113, 114, 115; D3/218; D8/373, 354; D7/641

(56) **References Cited**

U.S. PATENT DOCUMENTS

D146,526 S * 3/1947 Shaw D7/641
4,275,862 A * 6/1981 Takagi et al. 248/205.3
4,299,344 A * 11/1981 Yamashita et al. 224/242
4,472,606 A * 9/1984 Krolopp et al. 379/455
4,797,916 A * 1/1989 Kojima 379/454
D313,740 S * 1/1991 Witt D8/373
5,222,132 A * 6/1993 Rioux, Jr. 379/455

D339,323 S * 9/1993 Burgher et al. D13/110
D359,283 S * 6/1995 Rudkiewicz D14/149
D375,161 S * 10/1996 Hart D24/134
5,584,423 A * 12/1996 Wang 224/197
D378,313 S * 3/1997 Doyle D24/128
D409,079 S * 5/1999 Sobczynski D8/354
D417,608 S * 12/1999 Martin D8/373
D424,512 S * 5/2000 Ho D13/103
D438,187 S * 2/2001 Peiker D14/148
D438,536 S * 3/2001 Willison et al. D14/253
D444,765 S * 7/2001 Kolinen D13/107

FOREIGN PATENT DOCUMENTS

JP 05344041 * 6/1992

* cited by examiner

Primary Examiner—Jeffrey Asch

(74) *Attorney, Agent, or Firm*—Jubin Dana

(57) **CLAIM**

The ornamental design for a wall stand, as shown.

DESCRIPTION

FIG. 1 is a perspective front view of the wall stand;
FIG. 2 is a perspective rear view thereof;
FIG. 3 is a bottom plan view thereof;
FIG. 4 is a rear view thereof;
FIG. 5 is a right side view thereof;
FIG. 6 is a front view thereof;
FIG. 7 is a left side view thereof; and,
FIG. 8 is a top plan view thereof.

1 Claim, 2 Drawing Sheets

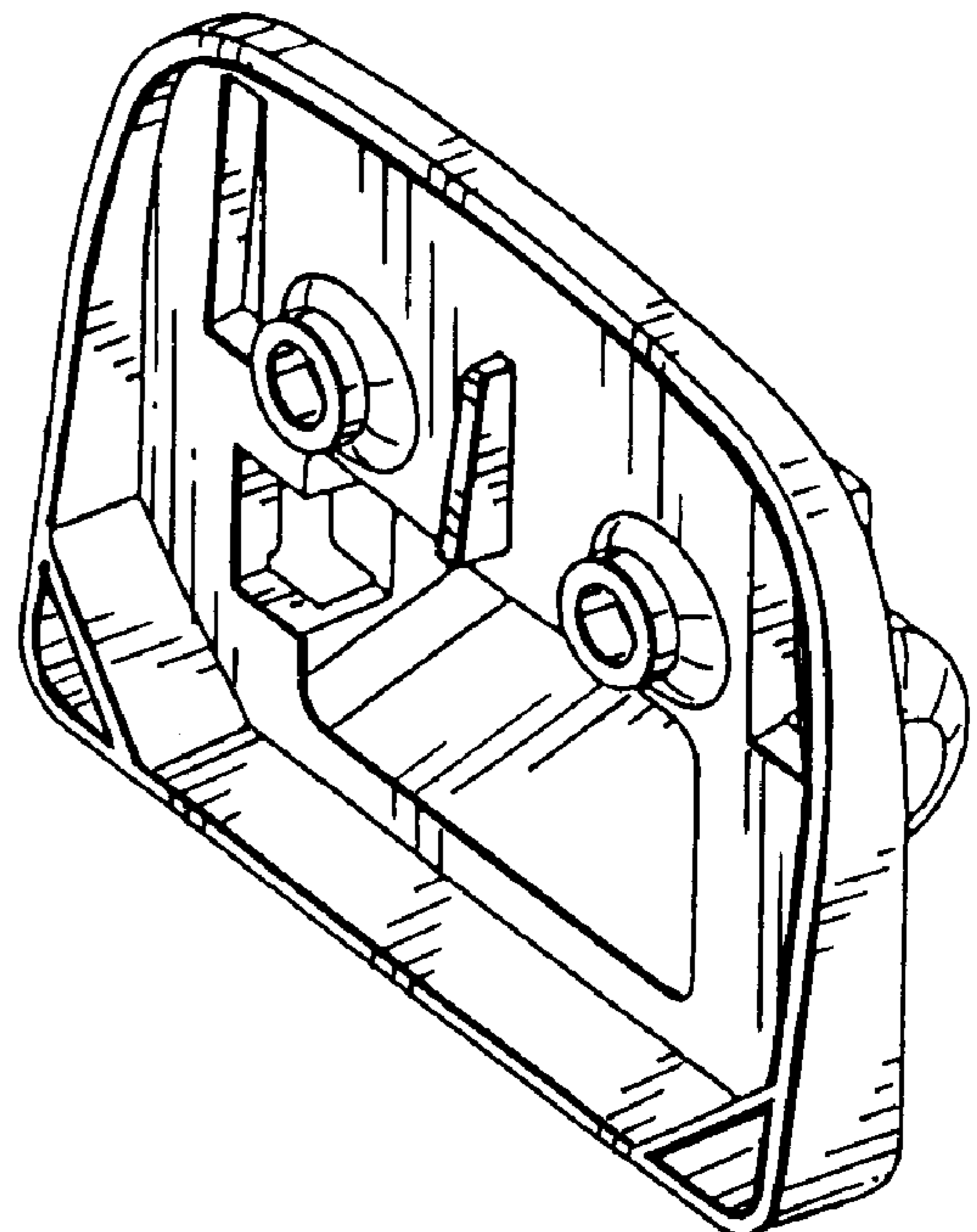
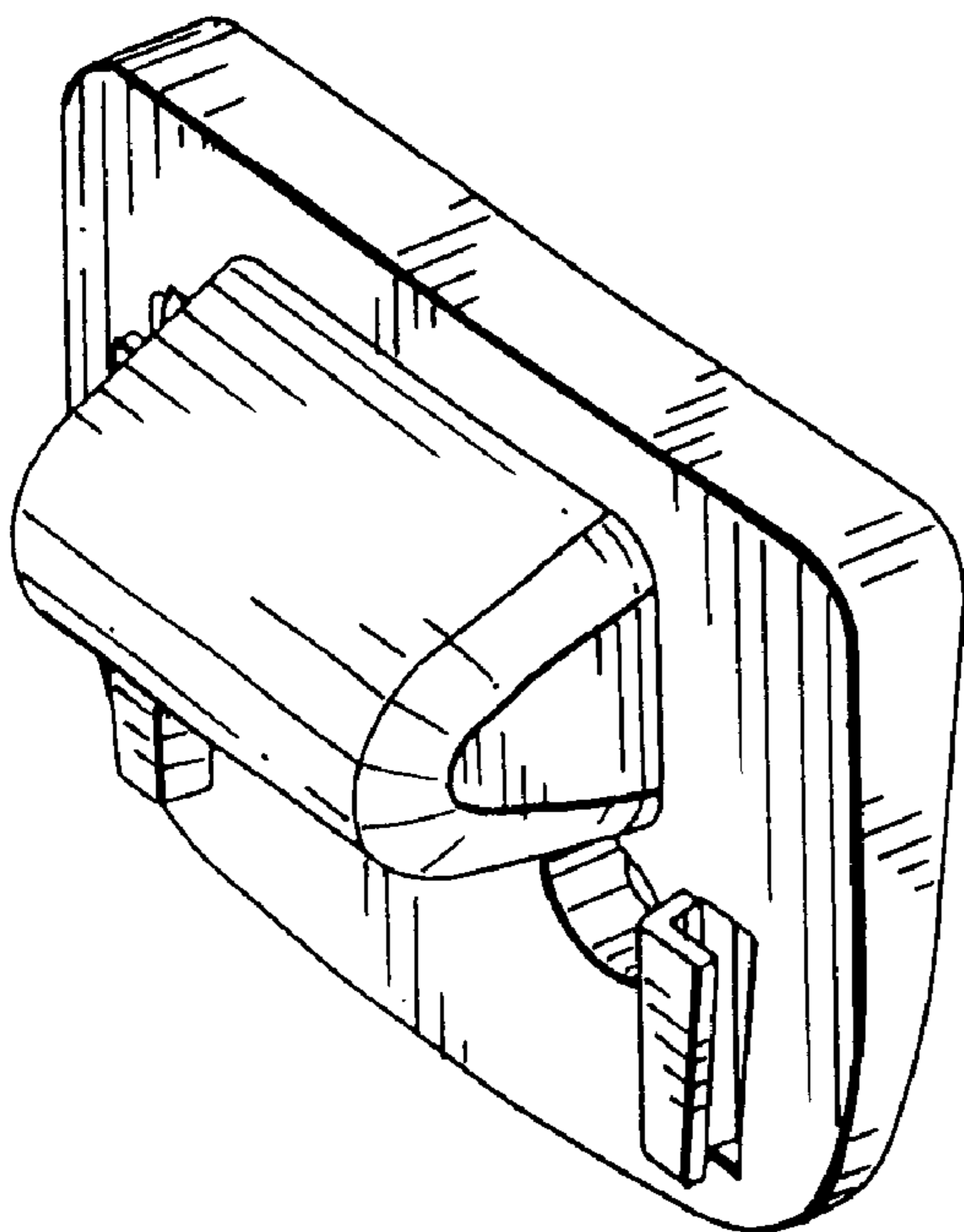


FIG. 1

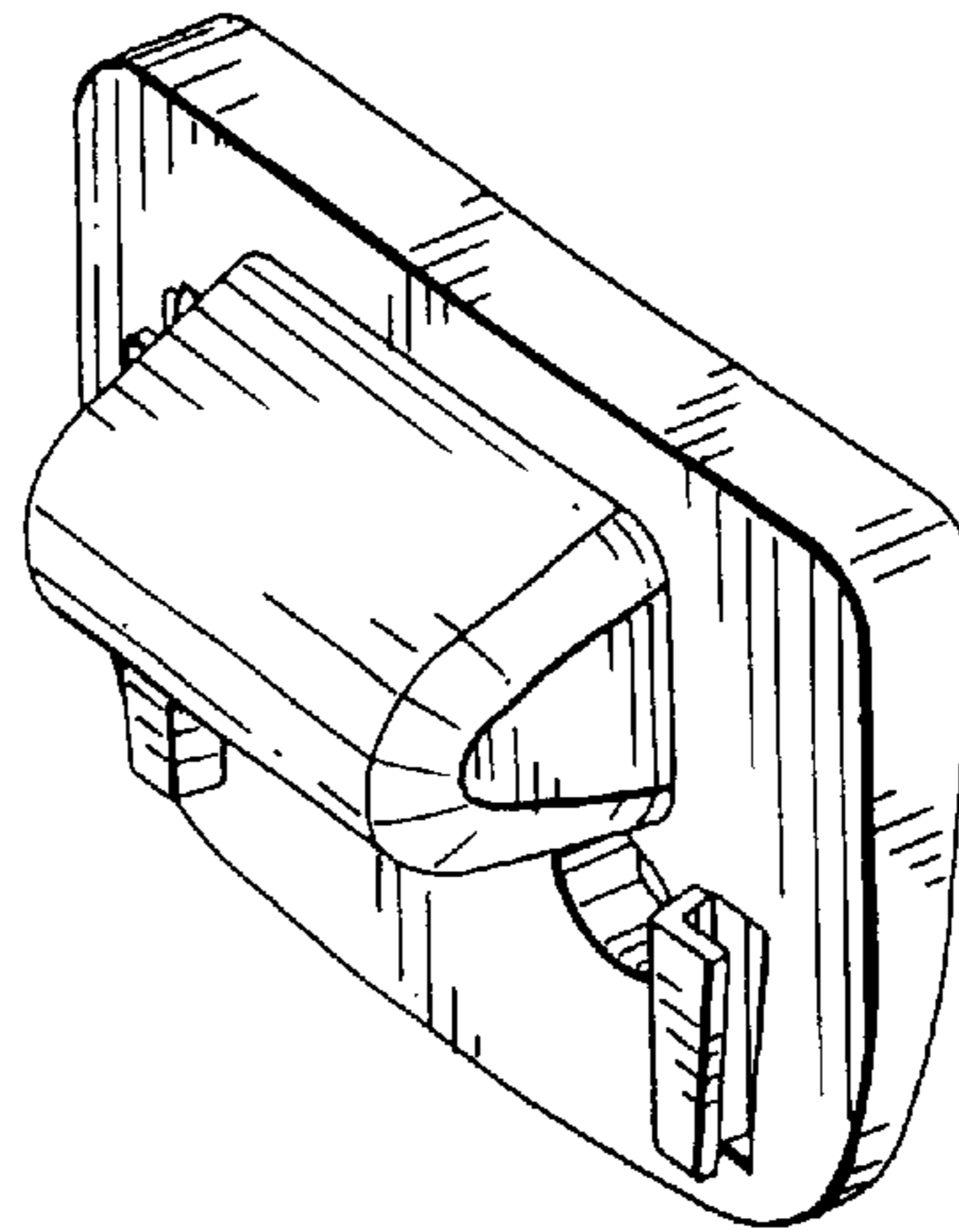


FIG. 2

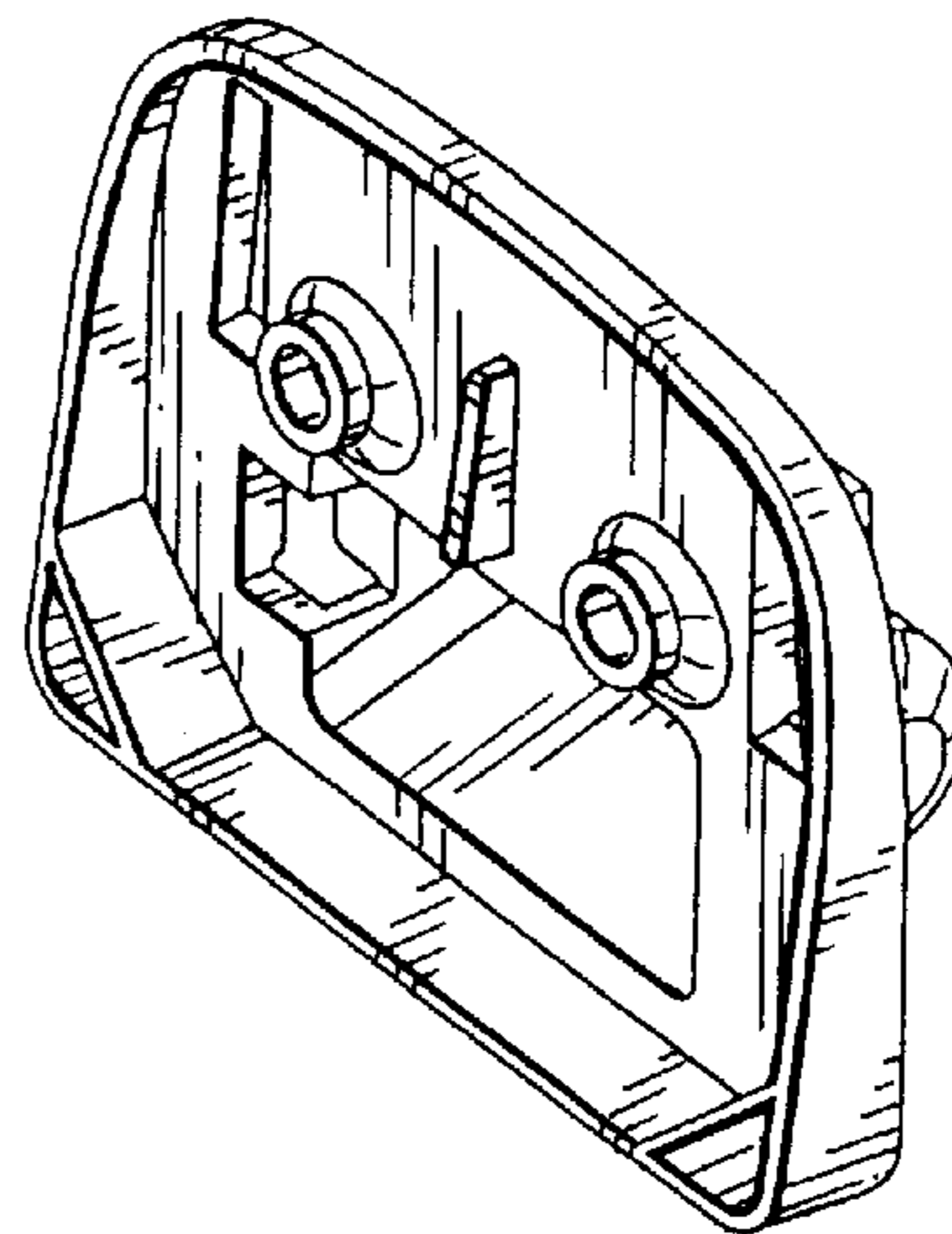


FIG. 4

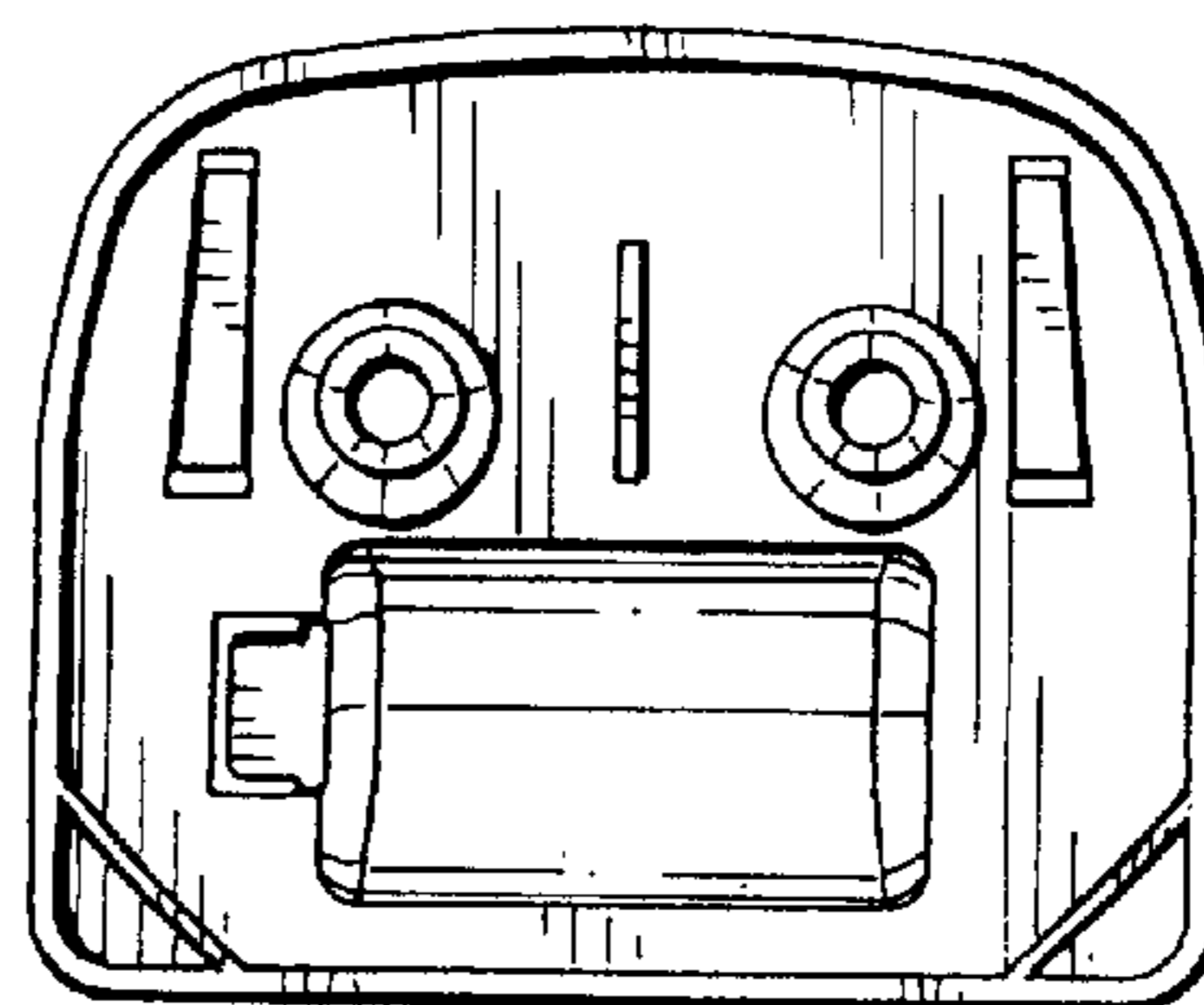


FIG. 3

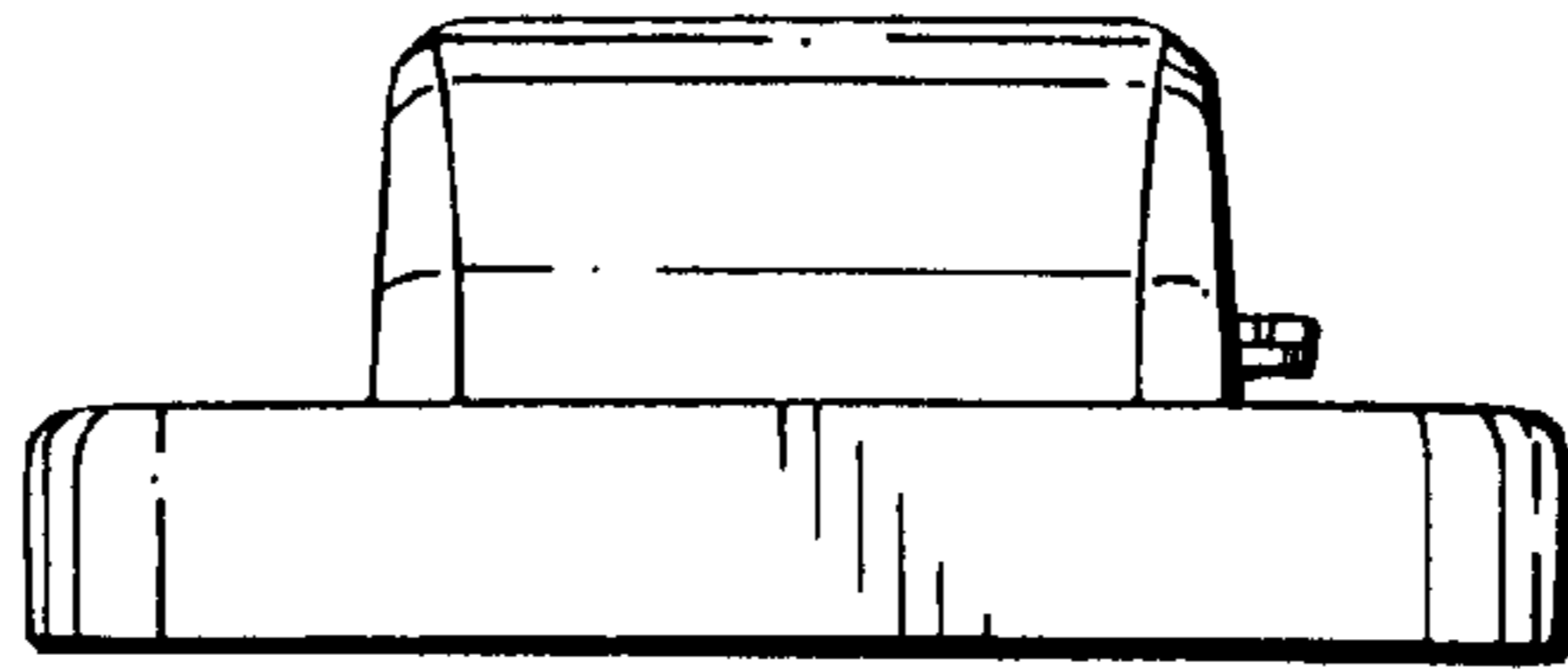


FIG. 5

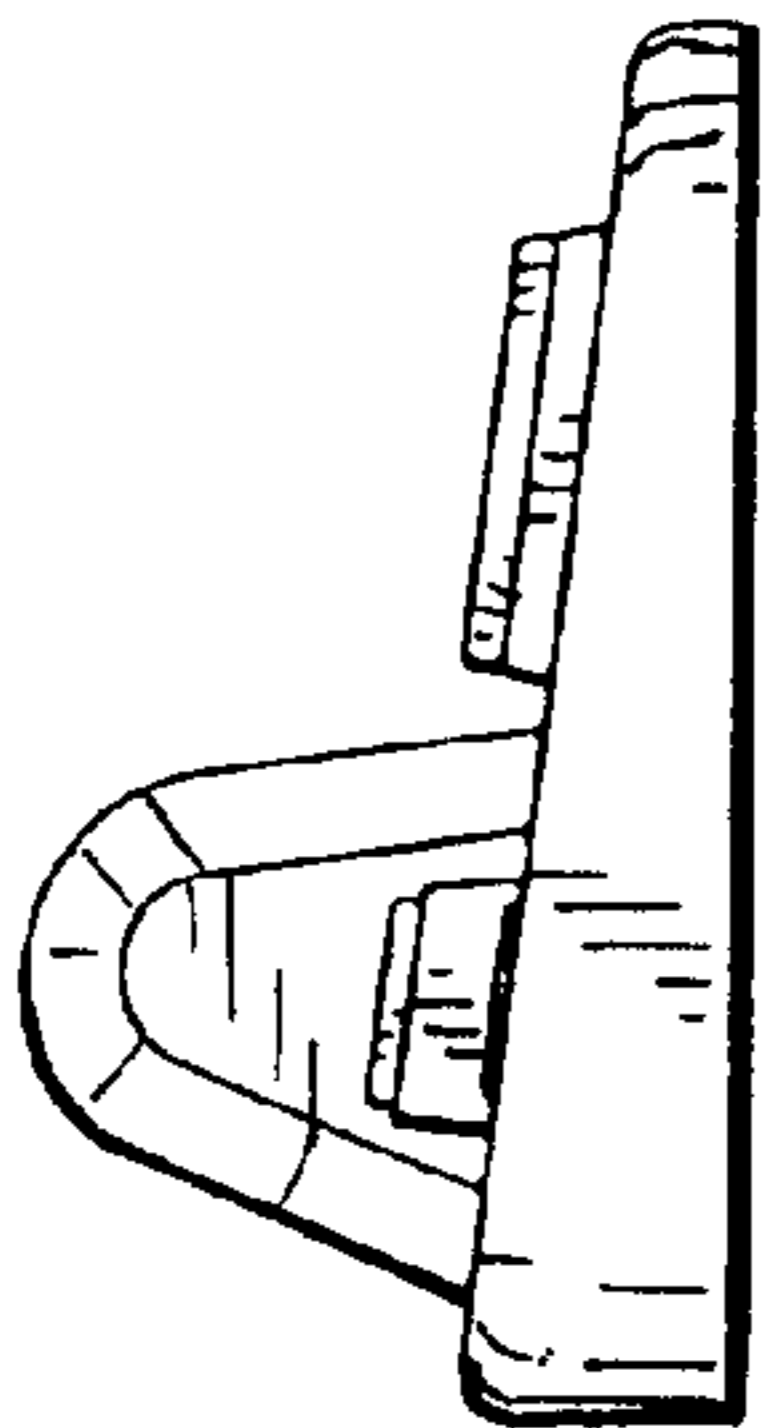


FIG. 6

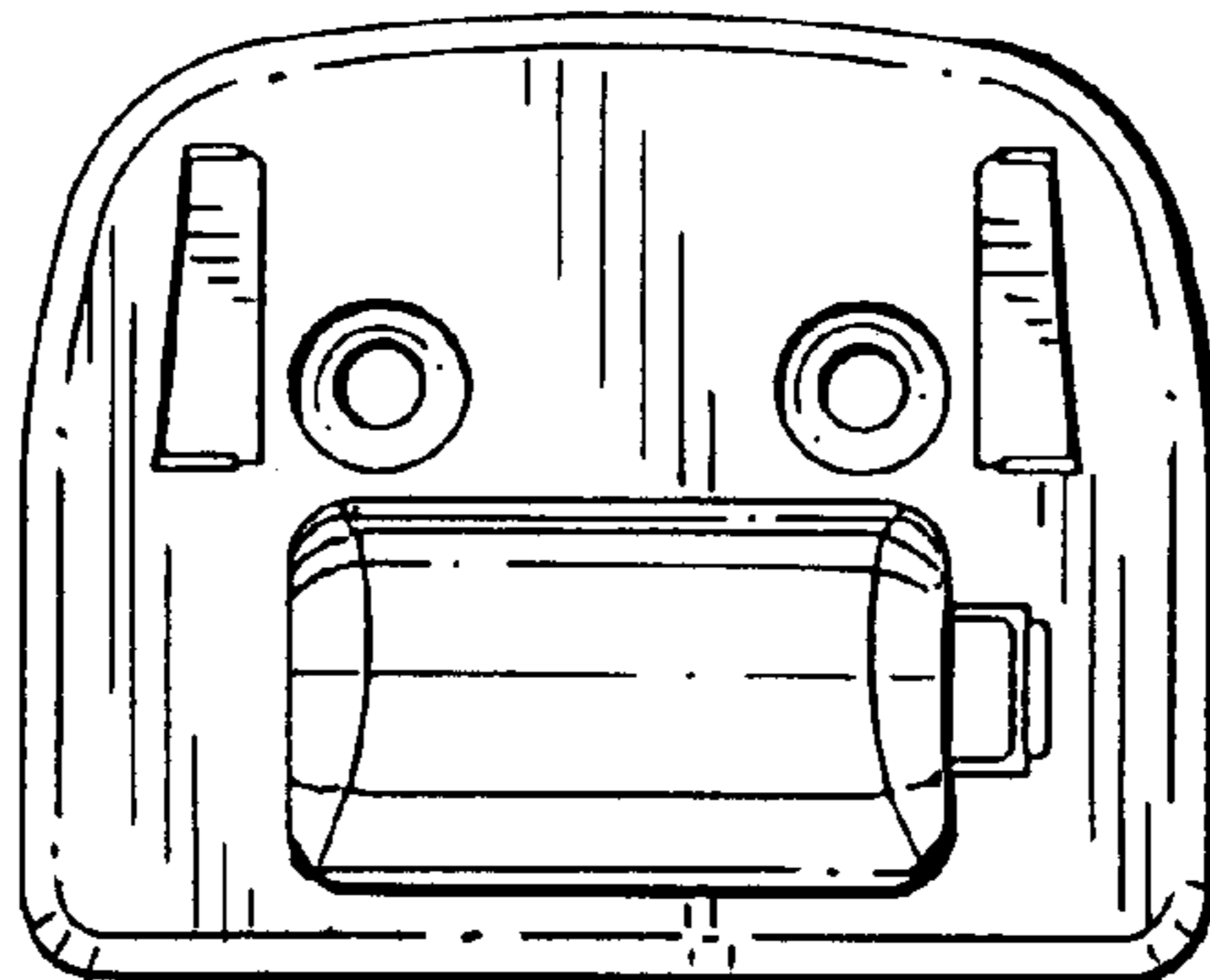


FIG. 7

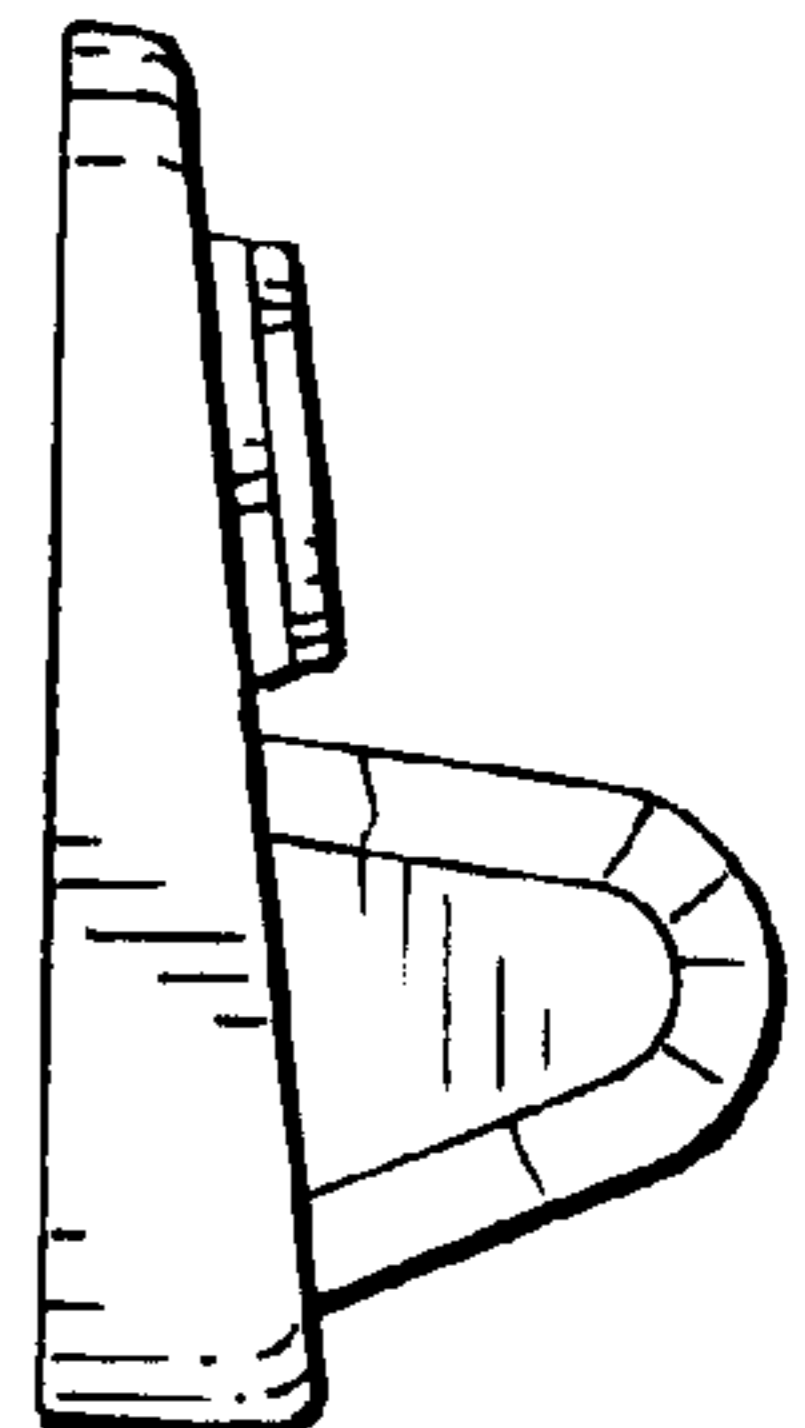


FIG. 8

