



US00D455063S

(12) **United States Design Patent**
Anderson

(10) **Patent No.:** **US D455,063 S**

(45) **Date of Patent:** **** Apr. 2, 2002**

(54) **DOOR LOCK**

(76) Inventor: **Keith Albert Anderson**, 24 McLeod Street, Lockridge (AU), 6054

(**) Term: **14 Years**

(21) Appl. No.: **29/132,857**

(22) Filed: **Nov. 16, 2000**

(30) **Foreign Application Priority Data**

May 22, 2000 (AU) 1532/00

(51) **LOC (7) Cl.** **08-07**

(52) **U.S. Cl.** **D8/339**

(58) **Field of Search** D8/330, 331, 339, D8/341; 70/91, 102, 104, 131, 134; 292/40, 41, 42, 148, 150, 236

(56) **References Cited**

U.S. PATENT DOCUMENTS

3,655,229 A * 4/1972 Tumbiolo 292/148

4,021,063 A * 5/1977 Porter 292/148 X

D267,698 S * 1/1983 Domes D8/341

D432,897 S * 10/2000 Spangler D8/331

* cited by examiner

Primary Examiner—Jennifer Rivard

(74) *Attorney, Agent, or Firm*—Dougherty & Clements LLP

(57) **CLAIM**

The ornamental design for door lock, as shown and described.

DESCRIPTION

FIG. 1 is a exploded perspective front view of a door lock showing my new design;

FIG. 2 is a perspective view of the door lock in a separated condition;

FIG. 3 is a perspective front view of the door lock in an assembled condition;

FIG. 4 is a front view thereof;

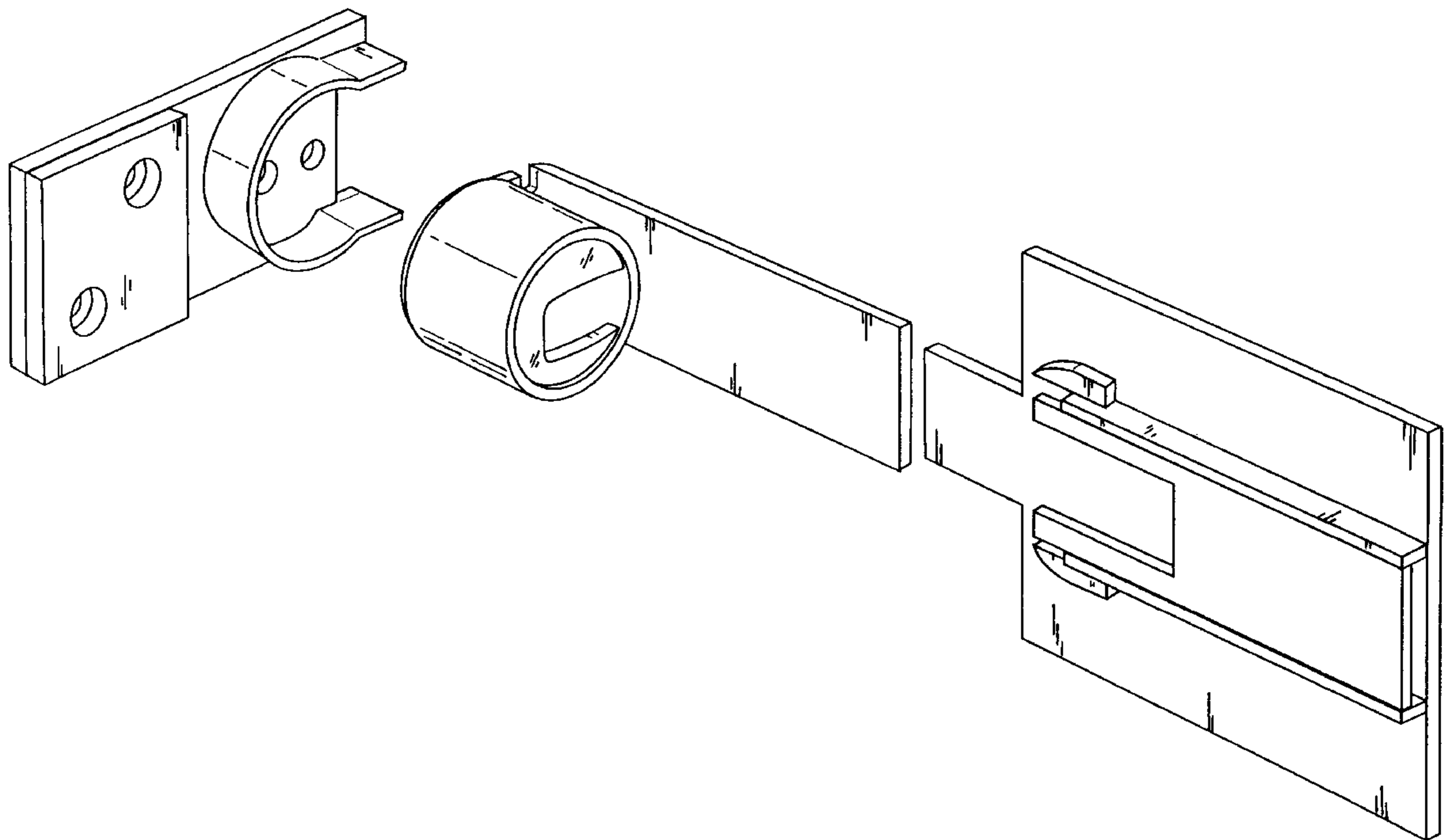
FIG. 5 is a plan view thereof;

FIG. 6 is an end view thereof;

FIG. 7 is an opposite end view thereof; and,

FIG. 8 is a front view of the door lock in a separated condition.

1 Claim, 6 Drawing Sheets



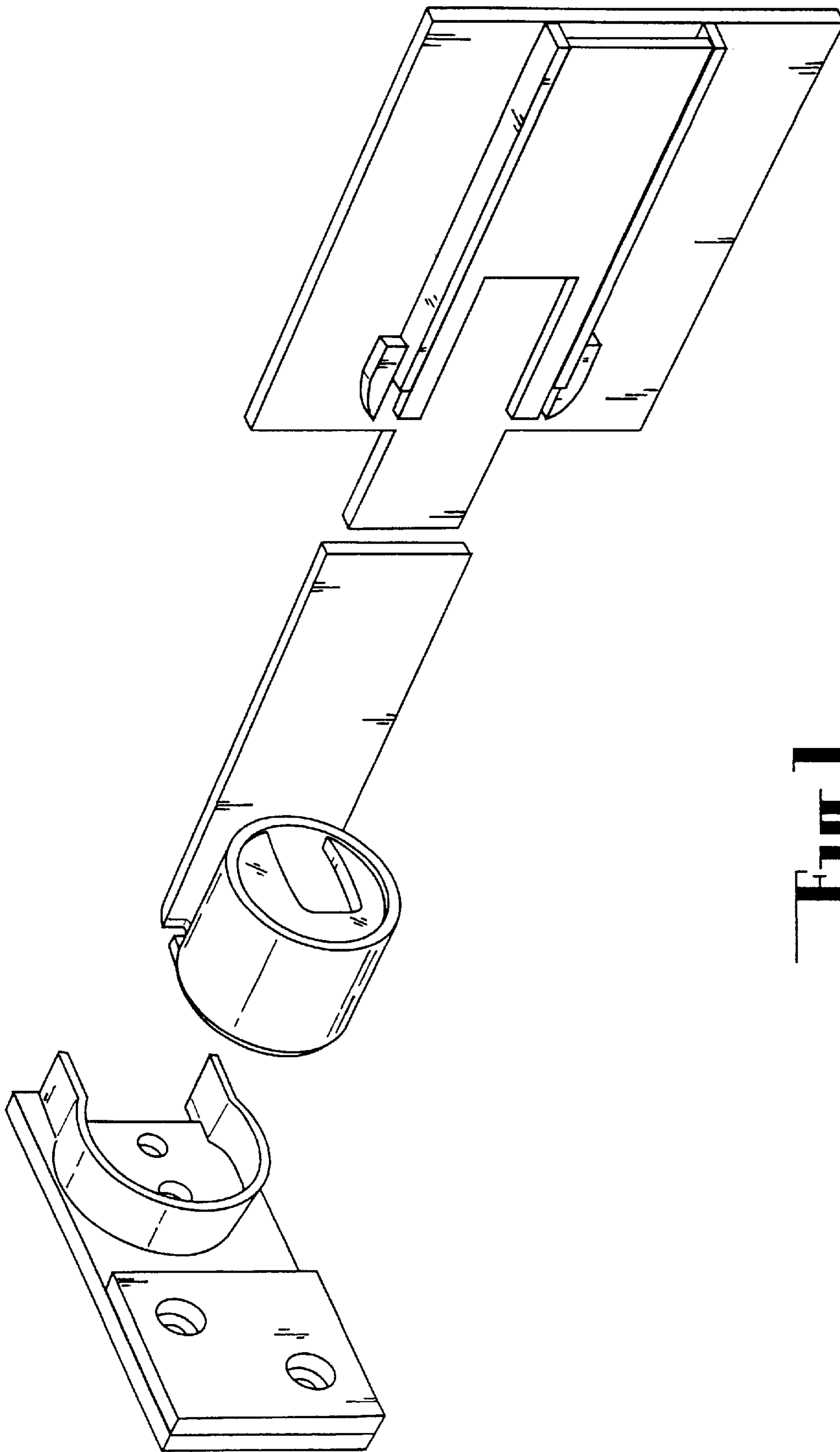


FIG. 1

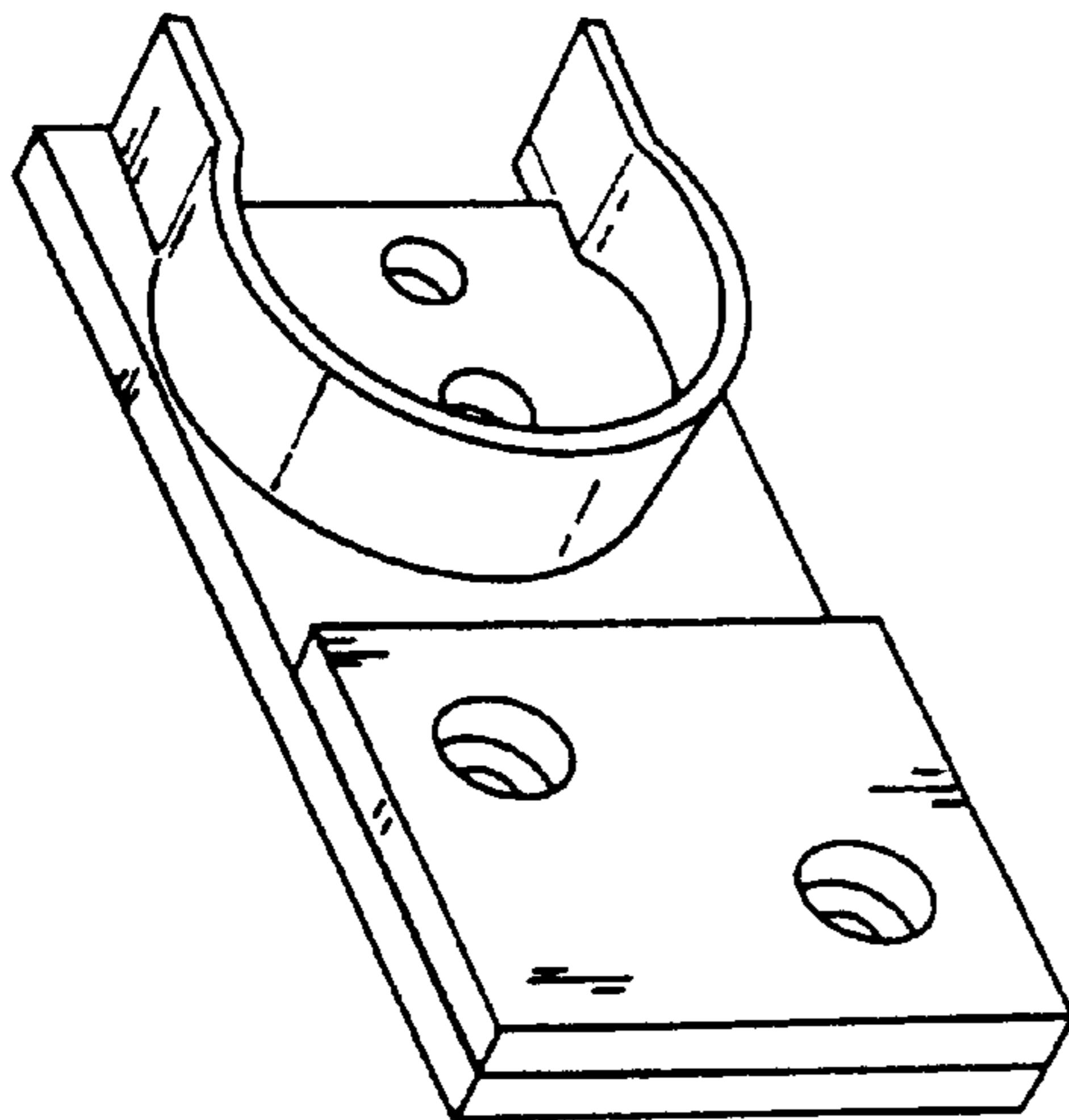
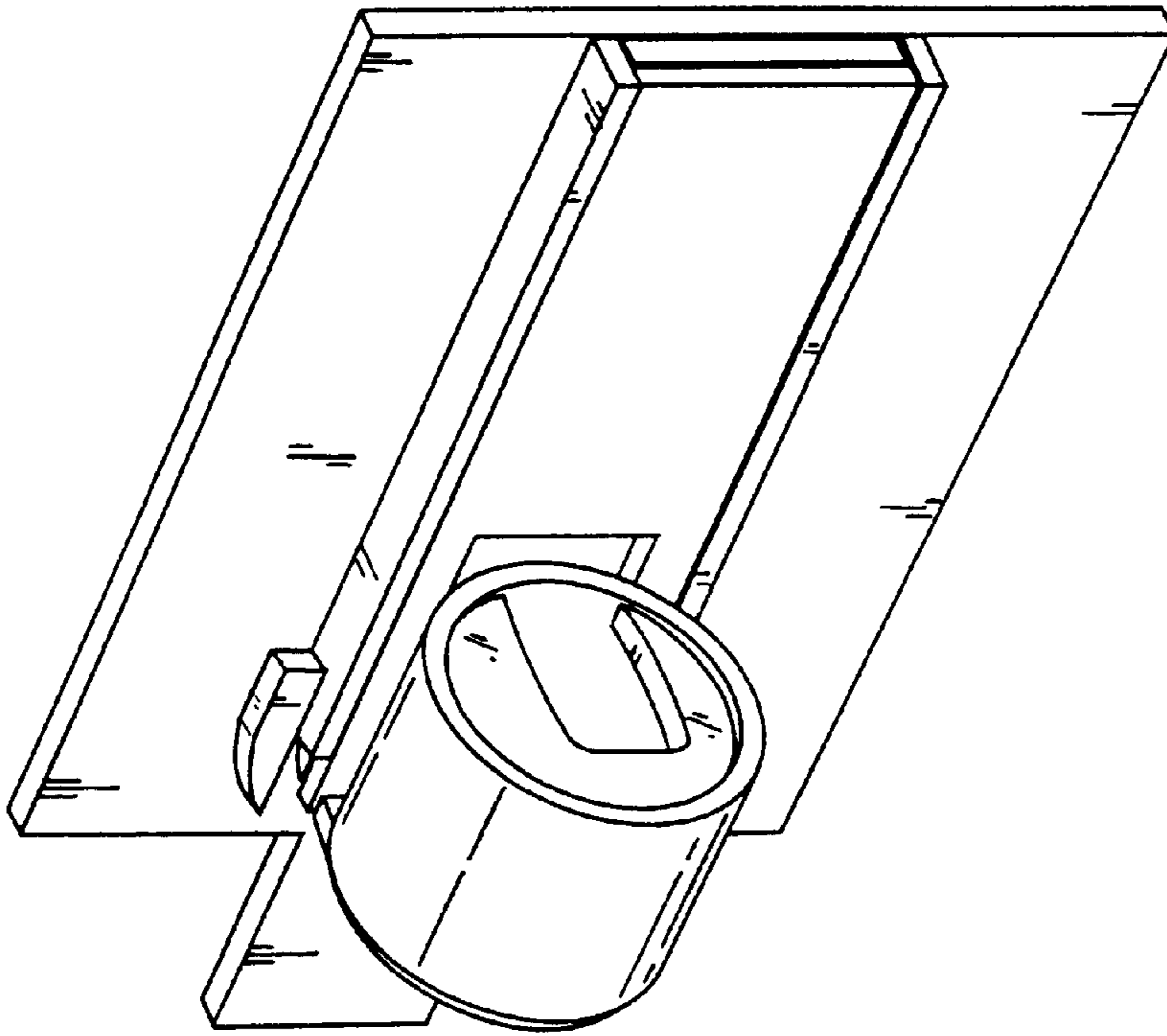


FIG. 2

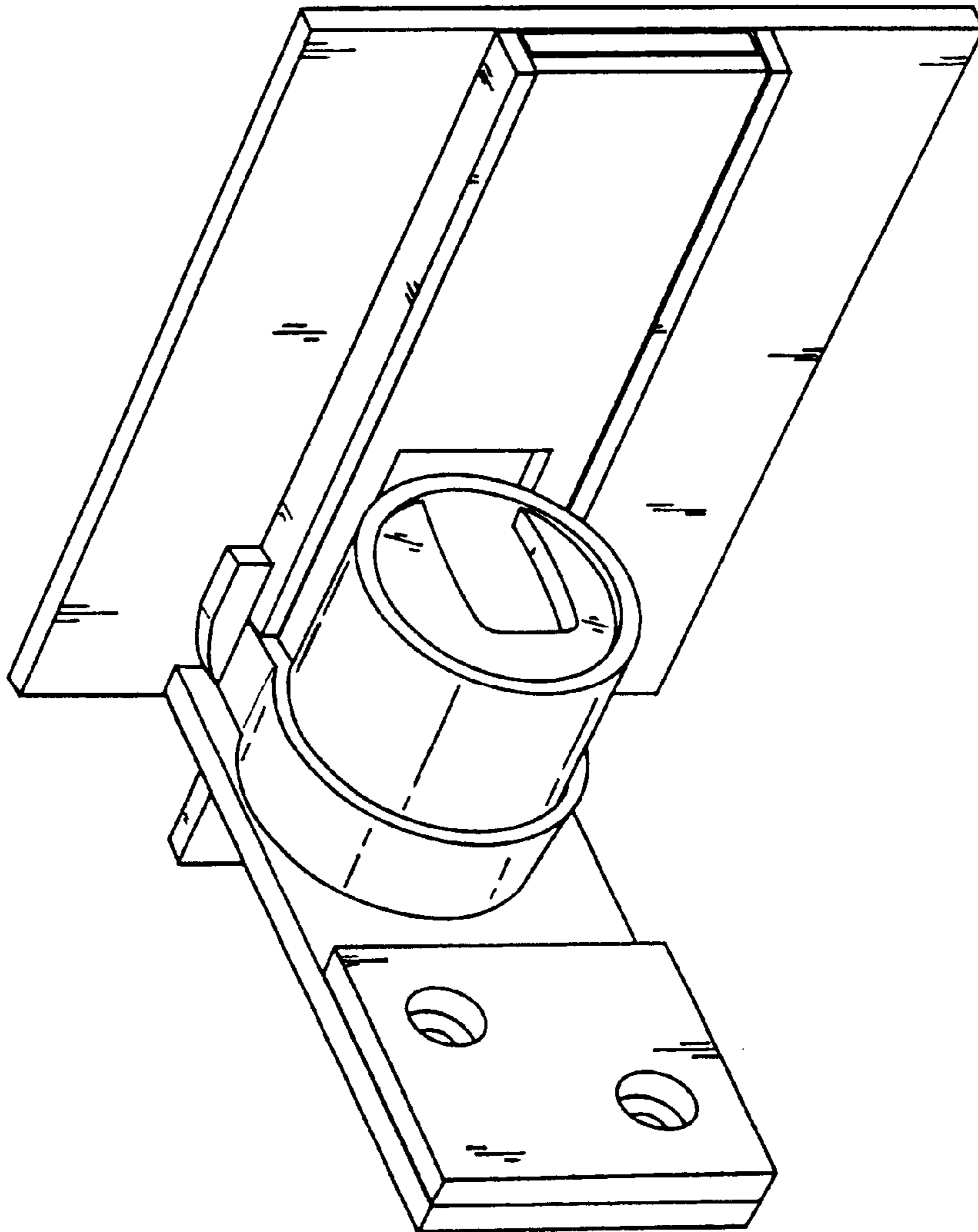


FIG. 3

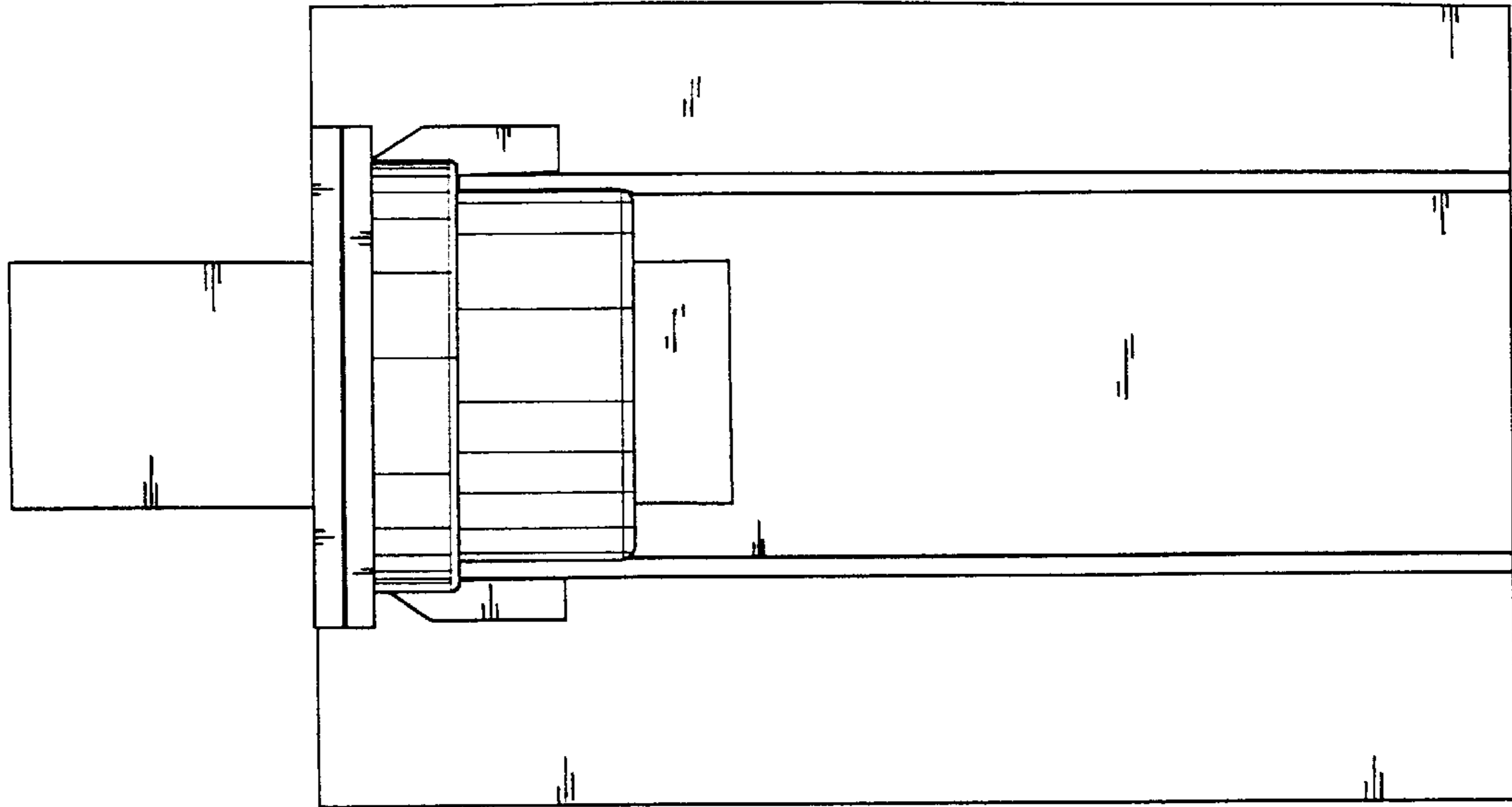


Fig. 4,

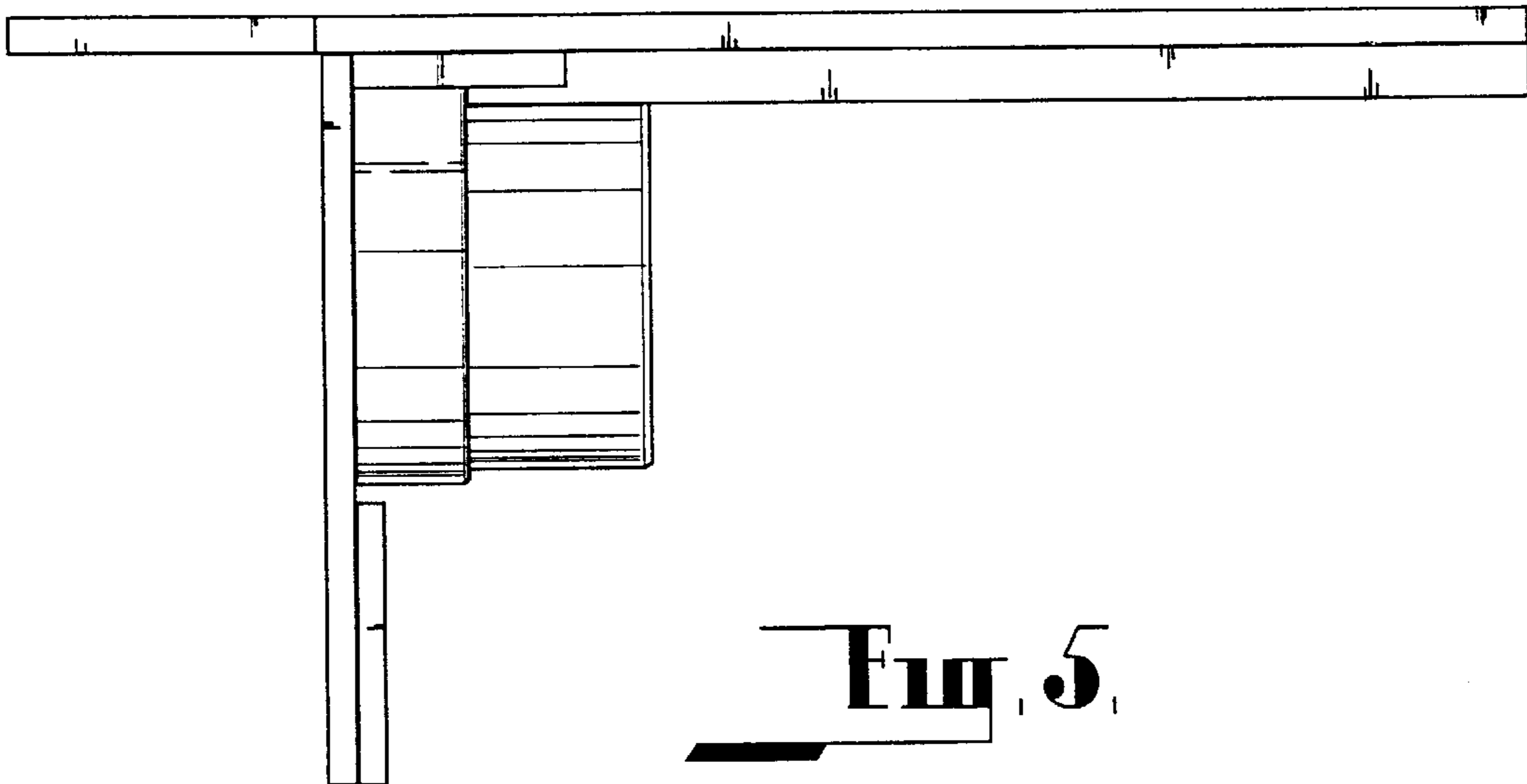


Fig. 5,

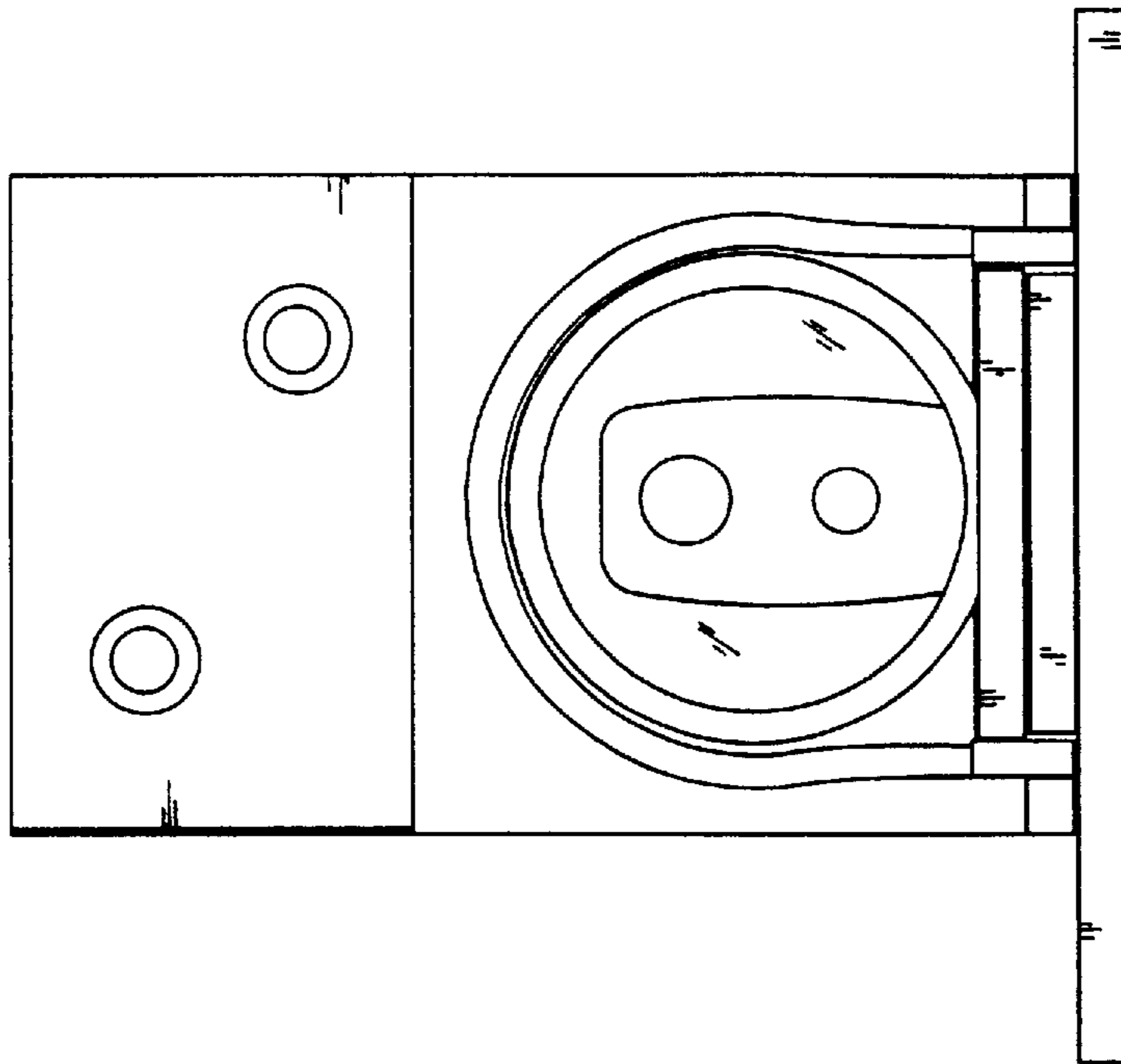


Fig. 6.

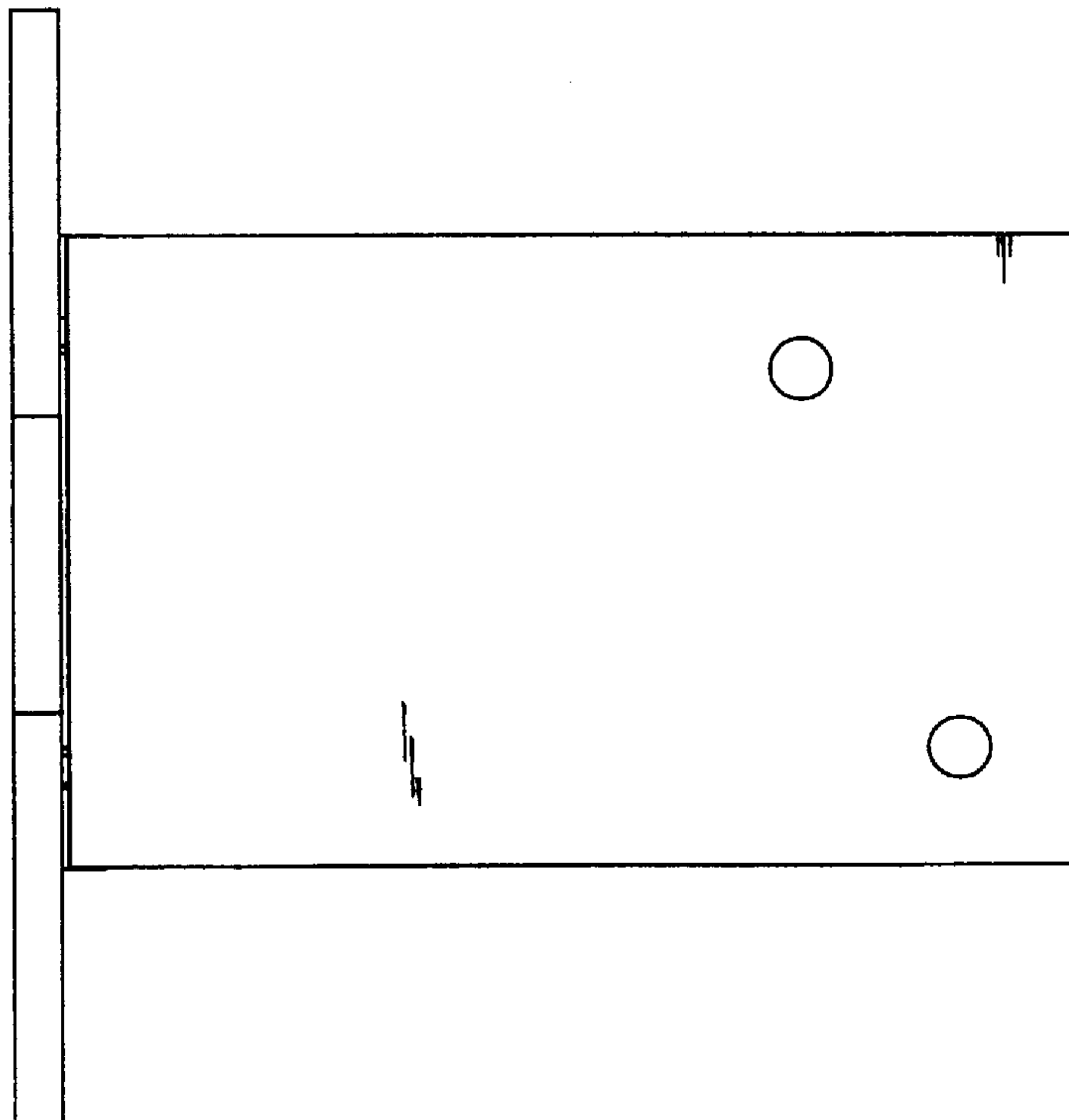


Fig. 7.

