



US00D455059S

(12) **United States Design Patent**
Stirling

(10) **Patent No.:** **US D455,059 S**

(45) **Date of Patent:** **** Apr. 2, 2002**

(54) **BOTTLE OPENER AND CORKSCREW**

(75) Inventor: **Loren Stirling**, Aptos, CA (US)

(73) Assignee: **Franmara, Inc.**, Salinas, CA (US)

(**) Term: **14 Years**

(21) Appl. No.: **29/138,533**

(22) Filed: **Mar. 14, 2001**

(51) **LOC (7) Cl.** **07-99**

(52) **U.S. Cl.** **D8/40; D8/42**

(58) **Field of Search** **D8/33-43; 7/151-156;**
81/3.07-3.49

(56) **References Cited**

U.S. PATENT DOCUMENTS

4,580,303 A *	4/1986	Henshaw	7/155
D294,218 S *	2/1988	Johnson	D8/42
D391,134 S *	2/1998	Laib	D8/40
D438,768 S *	3/2001	Chiu	D8/40

* cited by examiner

Primary Examiner—Caron D. Veynar

(74) *Attorney, Agent, or Firm*—Gray Cary Ware & Freidenrich LLP

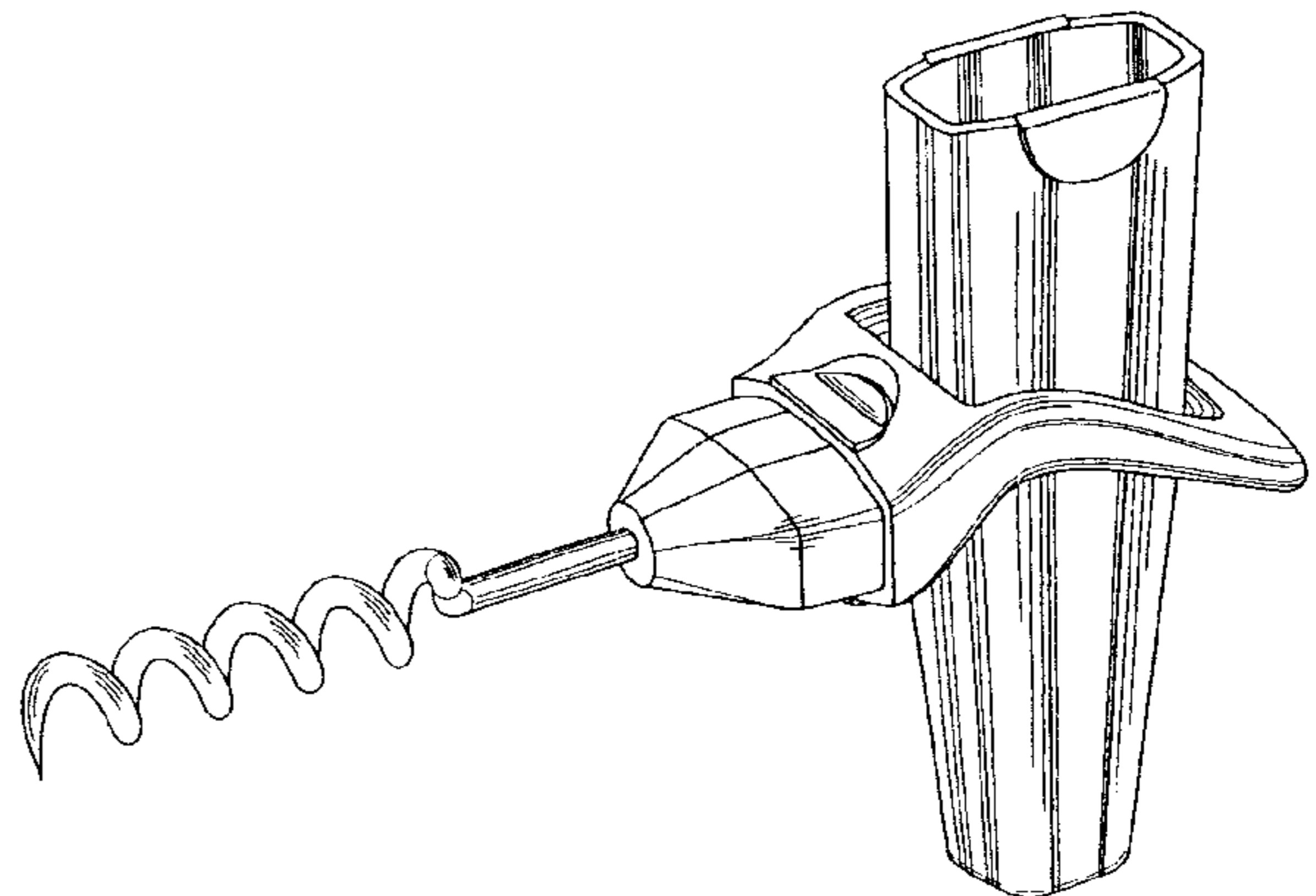
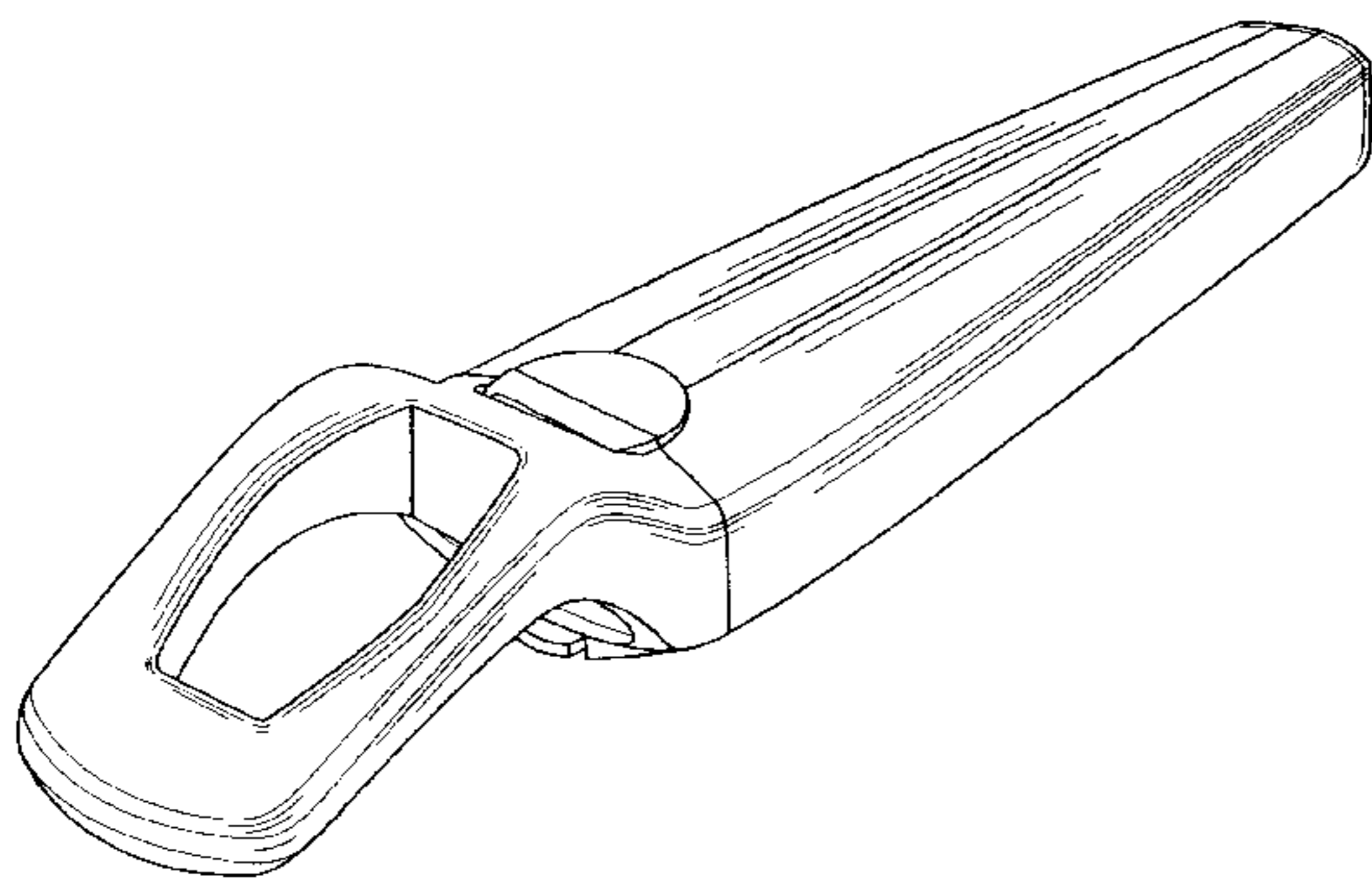
(57) **CLAIM**

The ornamental design for a bottle opener and corkscrew, as shown and described.

DESCRIPTION

FIG. 1 is a top perspective view of the bottle opener and corkscrew showing my new design;
 FIG. 2 is a bottom perspective view thereof;
 FIG. 3 is a side perspective view thereof;
 FIG. 4 is a top plane view thereof;
 FIG. 5 is a bottom plane view thereof;
 FIG. 6 is a side elevational view, the other side being a mirror image thereof;
 FIG. 7 is a front elevational view thereof;
 FIG. 8 is a back elevational view thereof;
 FIG. 9 is a perspective view showing the arrangement of the corkscrew; and,
 FIG. 10 is another perspective view of the corkscrew shown in FIG. 9.

1 Claim, 3 Drawing Sheets



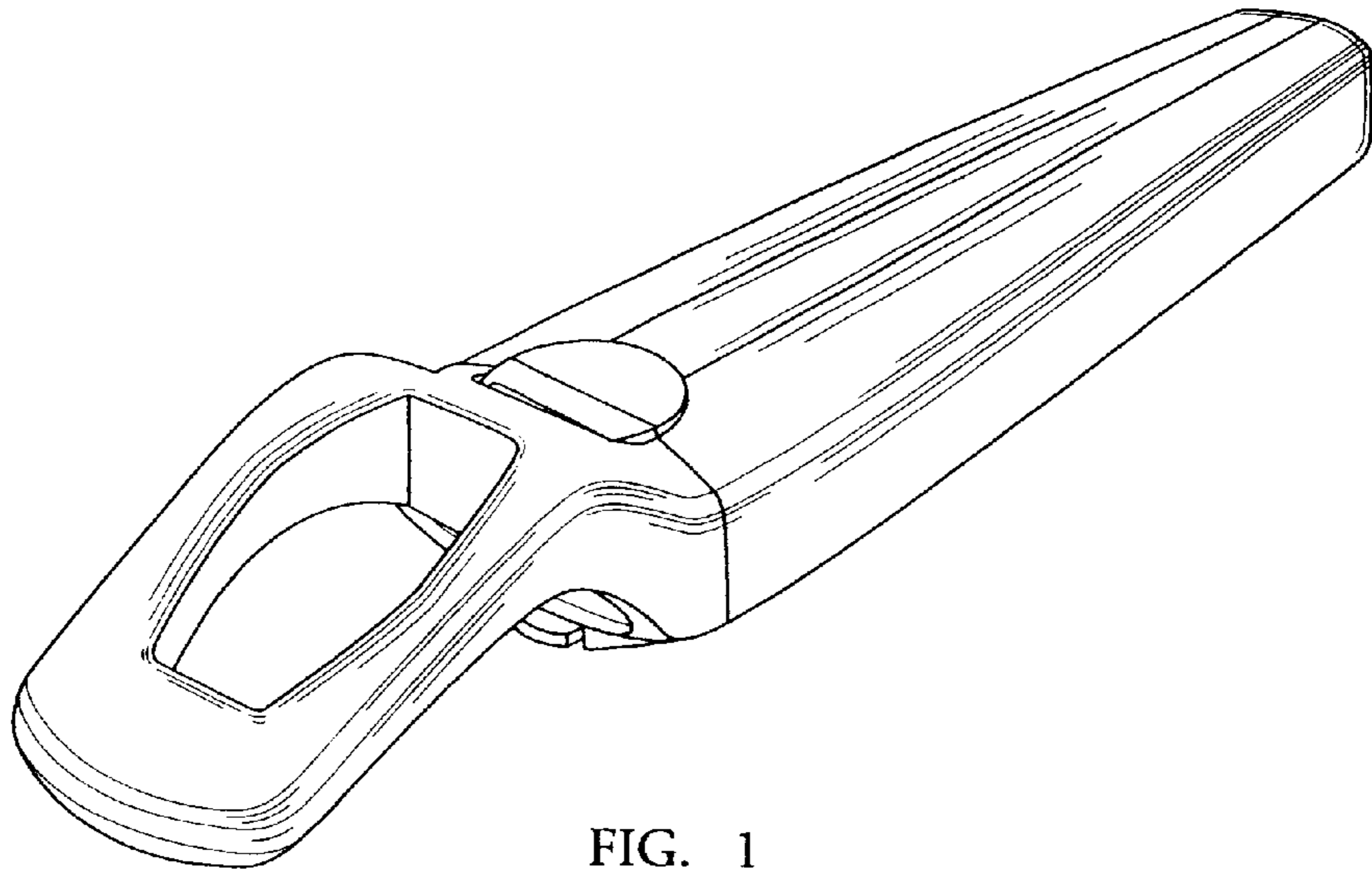


FIG. 1

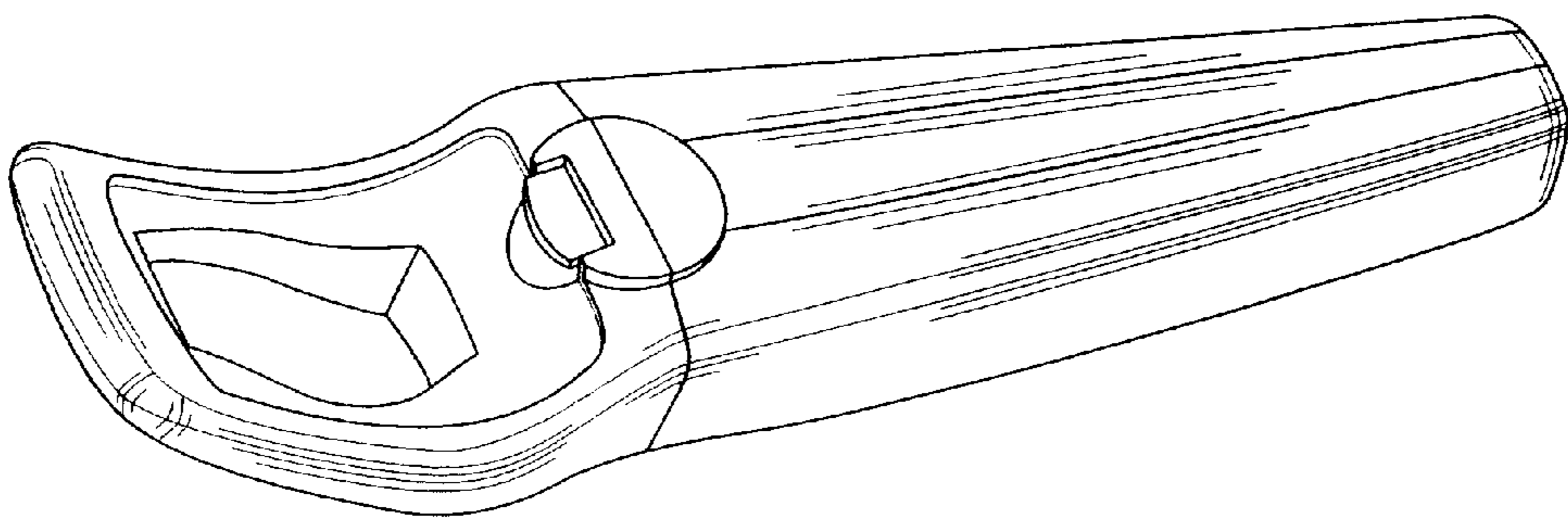


FIG. 2

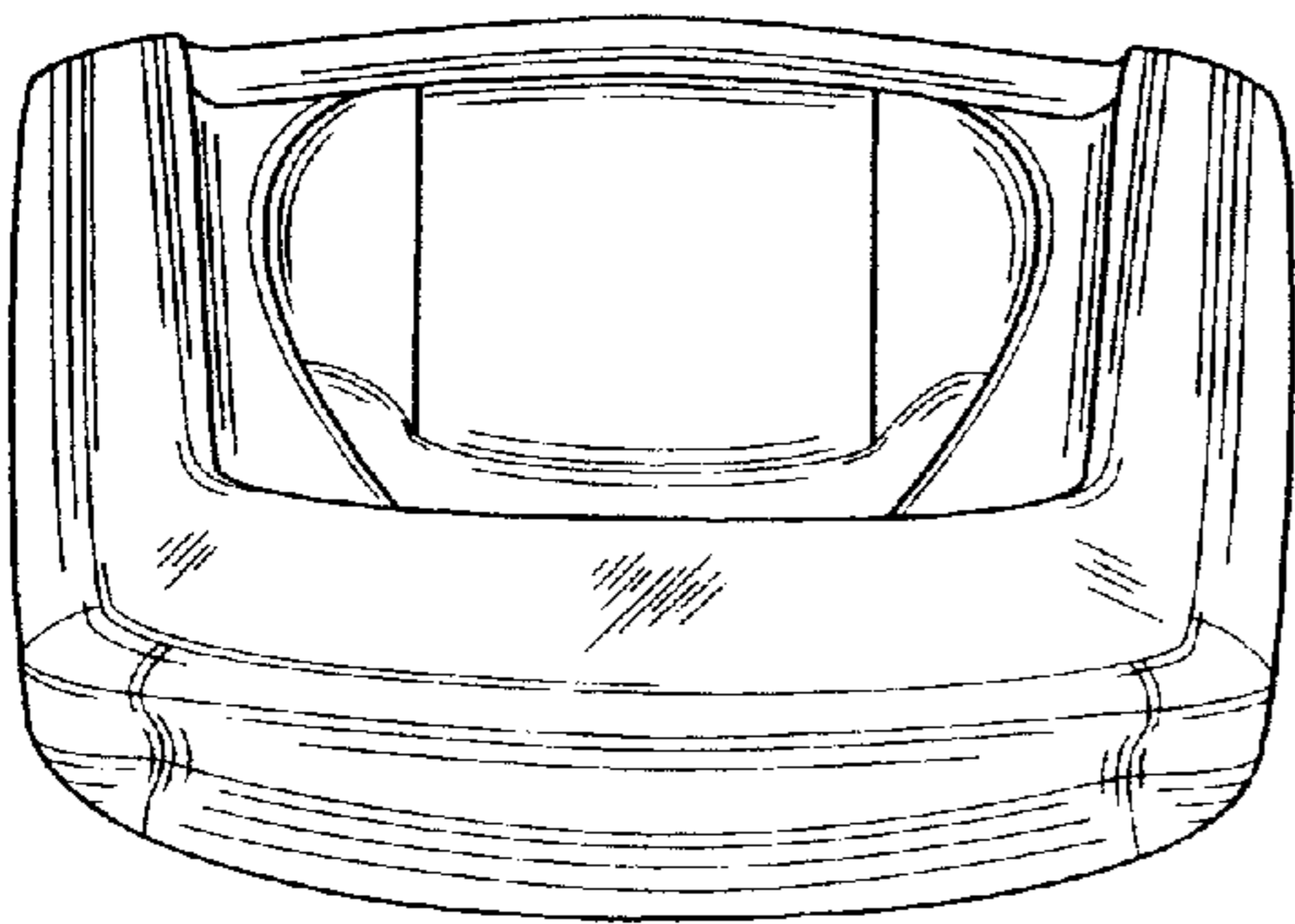


FIG. 7

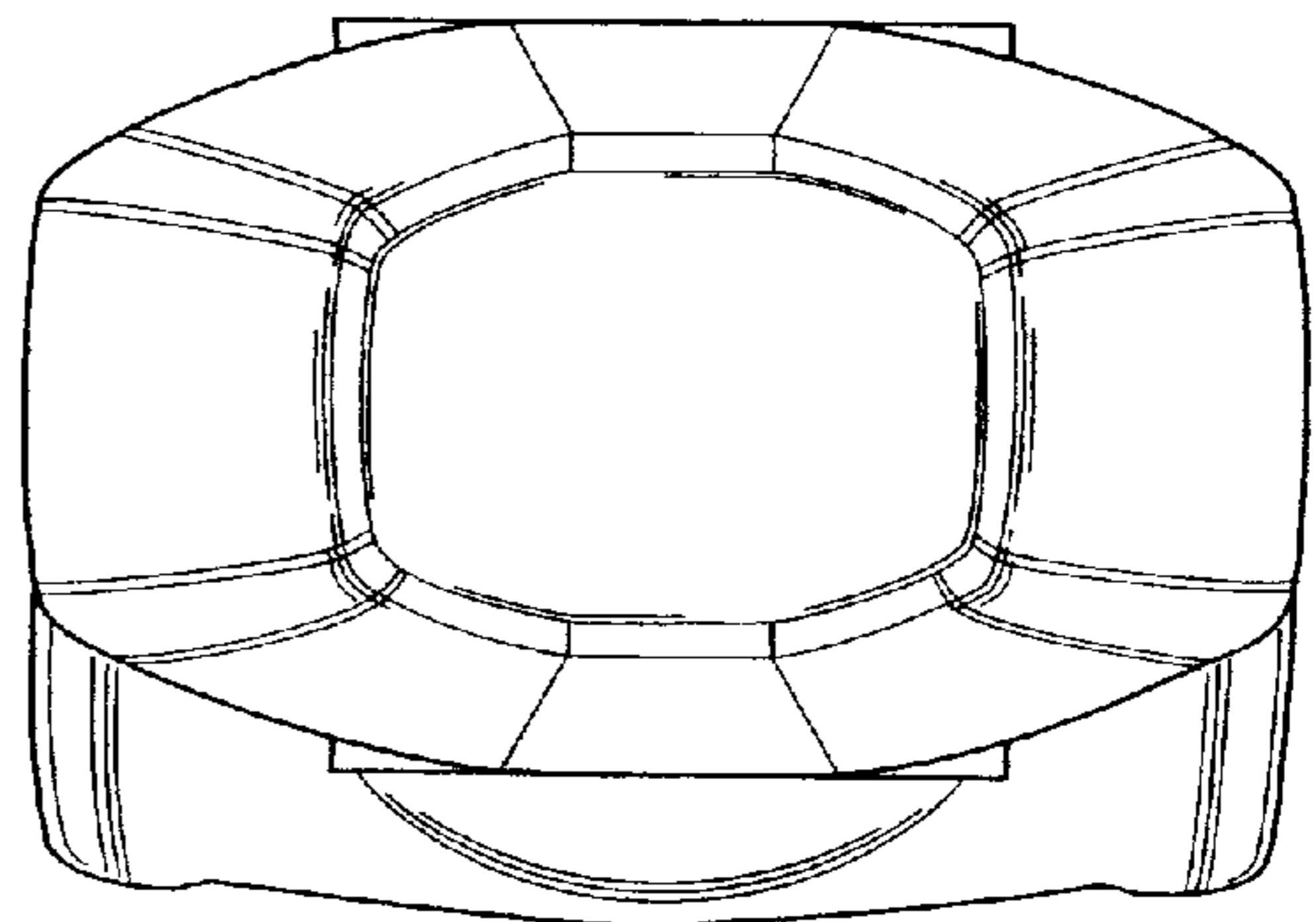


FIG. 8

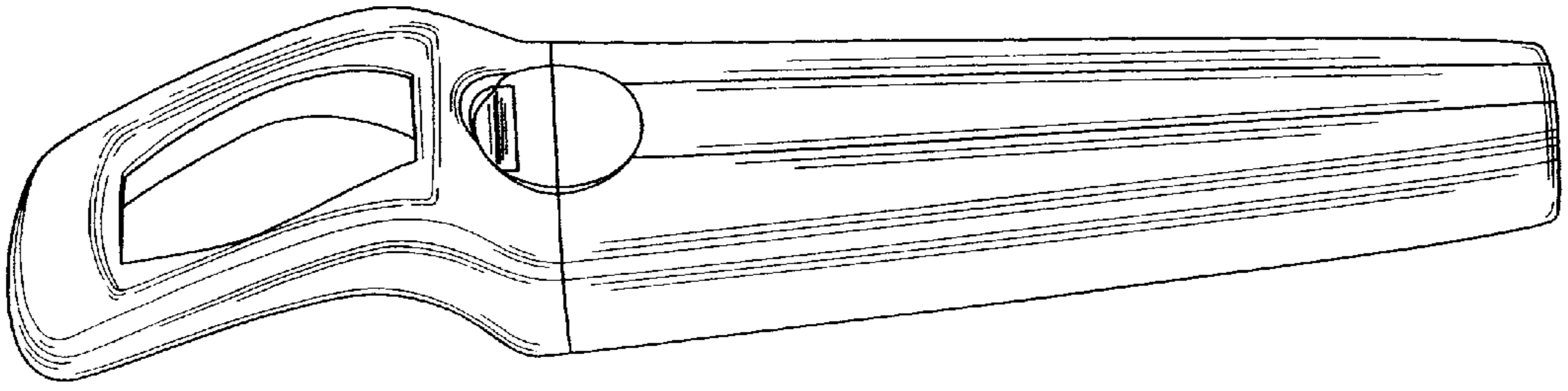


FIG. 3

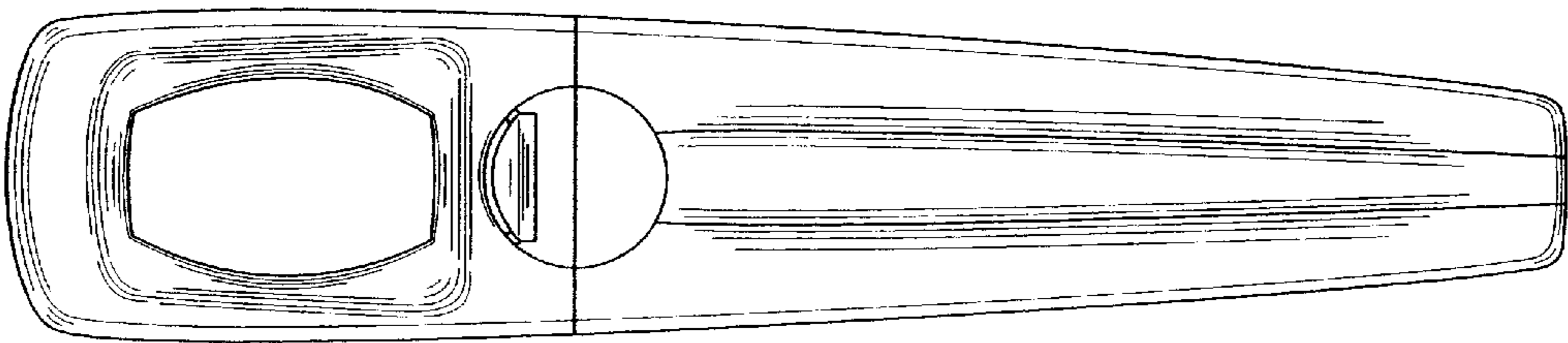


FIG. 4

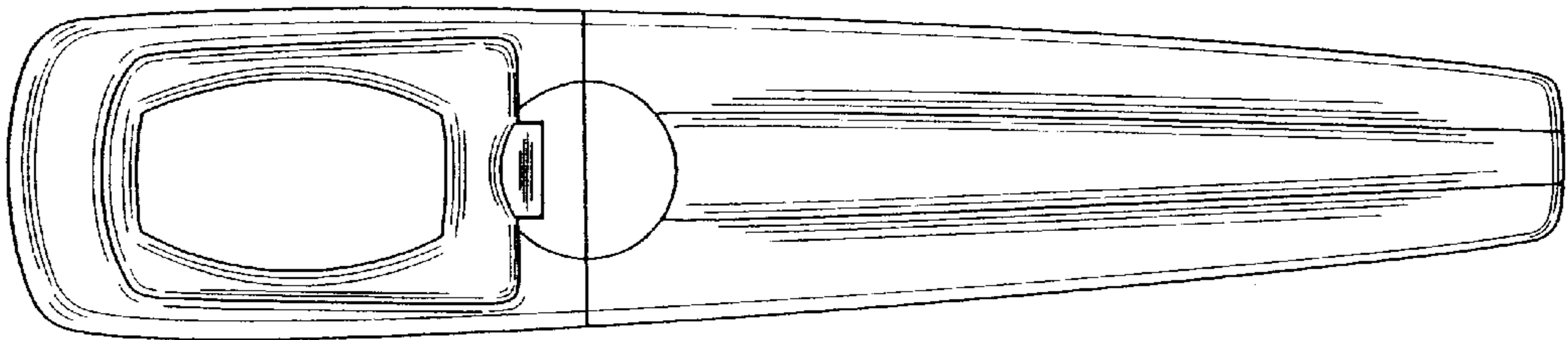


FIG. 5

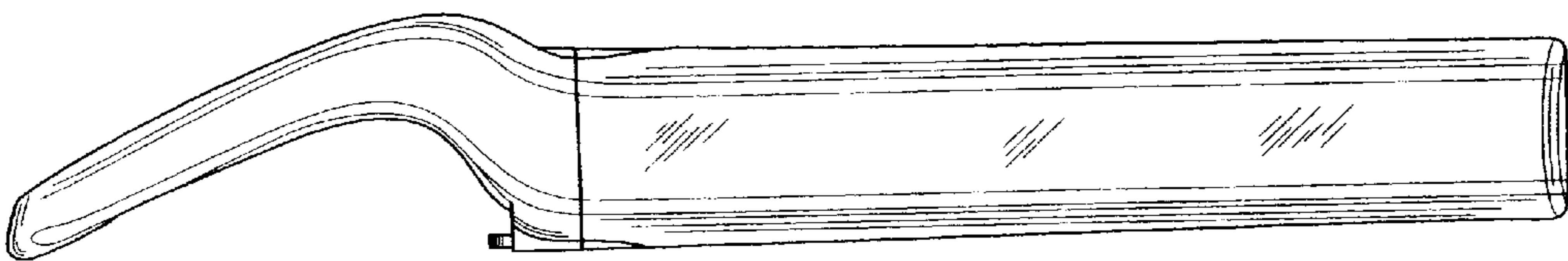


FIG. 6

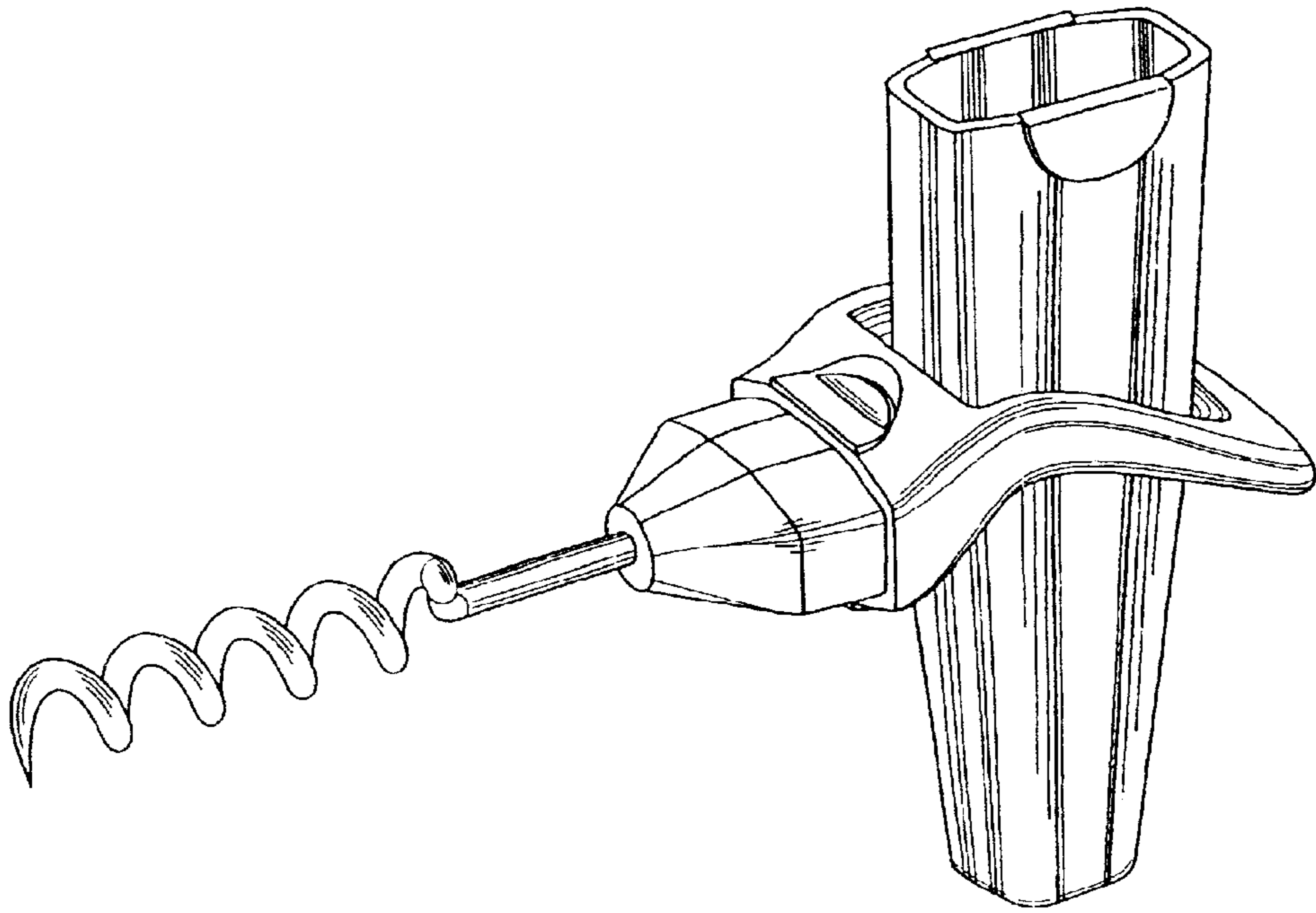


FIG. 9

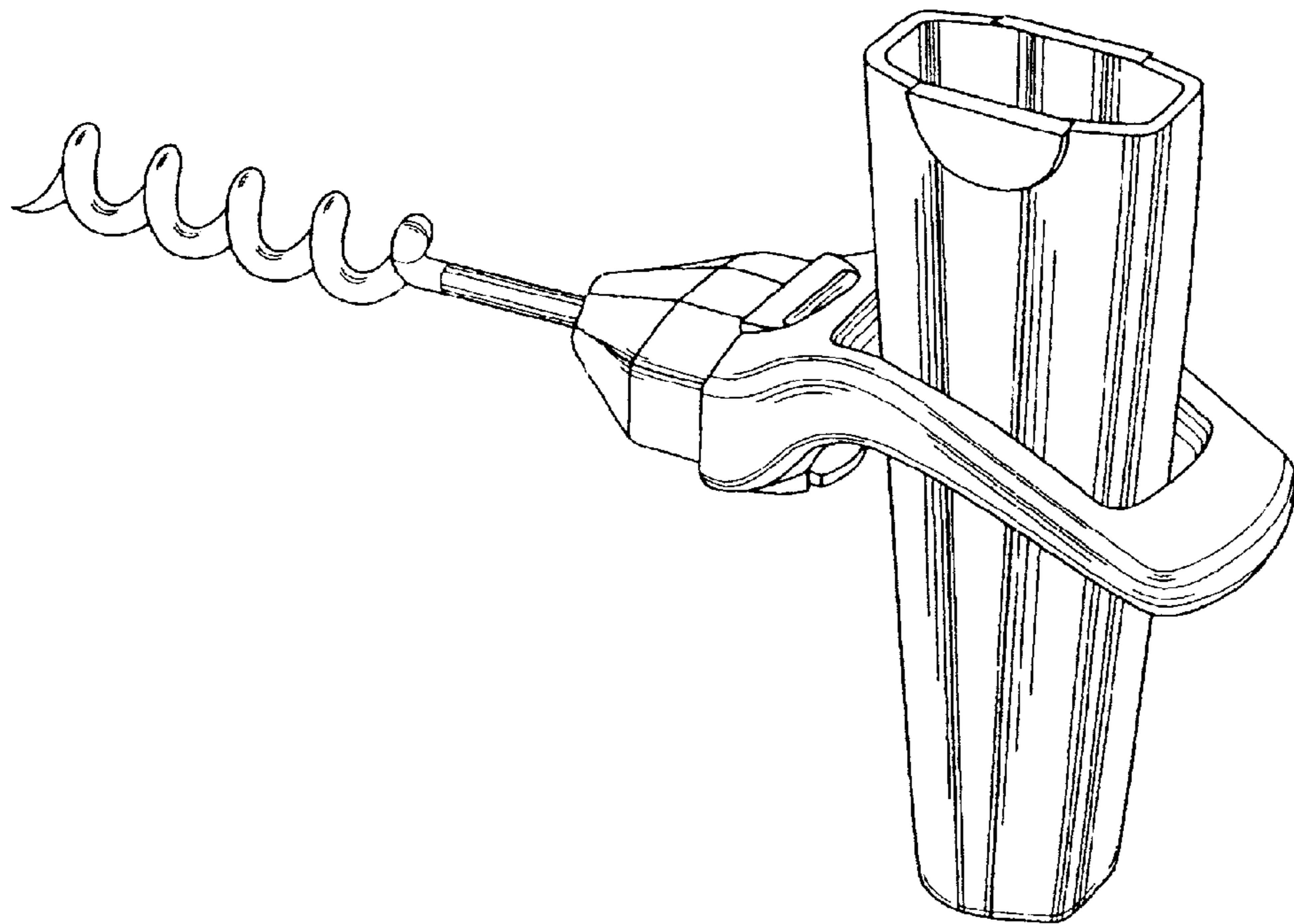


FIG. 10