



US00D455058S

(12) **United States Design Patent**
Stirling

(10) **Patent No.:** **US D455,058 S**

(45) **Date of Patent:** **** Apr. 2, 2002**

(54) **CORKSCREW**

(75) Inventor: **Loren Stirling**, Aptos, CA (US)

(73) Assignee: **Franmara, Inc.**, Salinas, CA (US)

(**) Term: **14 Years**

(21) Appl. No.: **29/136,466**

(22) Filed: **Jan. 29, 2001**

(51) **LOC (7) Cl.** **07-99**

(52) **U.S. Cl.** **D8/39**

(58) **Field of Search** D8/33, 34, 39-43;
7/151, 154, 155; 81/3.07, 3.09, 3.35, 3.45;
30/400-443

(56) **References Cited**

U.S. PATENT DOCUMENTS

D181,888 S	*	1/1958	Talge	D8/39
D415,667 S	*	10/1999	de Bergen	D8/42
D430,994 S	*	9/2000	Kilduff	D8/39
D442,043 S	*	5/2001	Kao	D8/39
D444,045 S	*	6/2001	Kay	D8/39
D446,098 S	*	8/2001	Kilduff	D8/39

* cited by examiner

Primary Examiner—Caron D. Veynar

(74) *Attorney, Agent, or Firm*—Gray Cary Ware & Freidenrich LLP

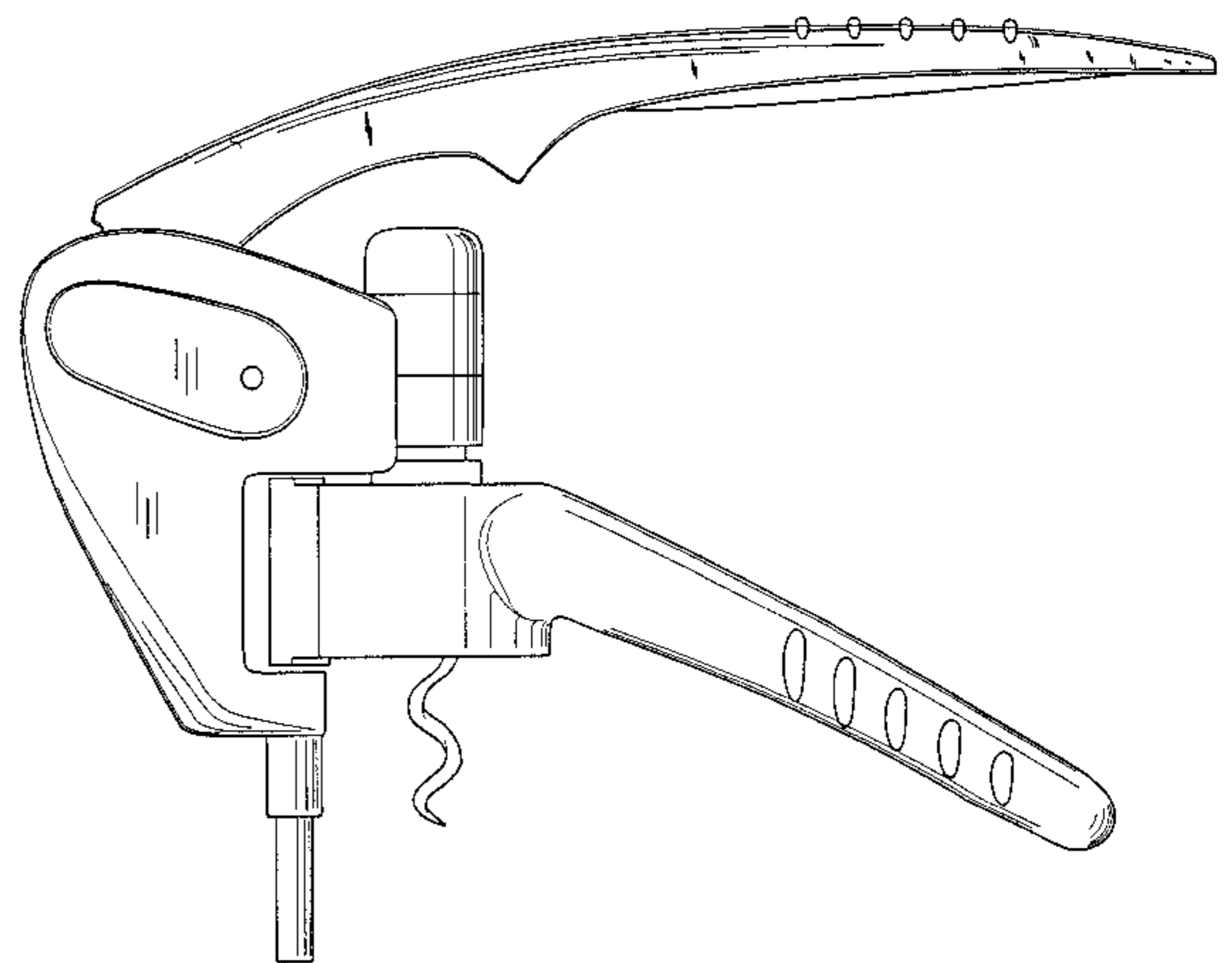
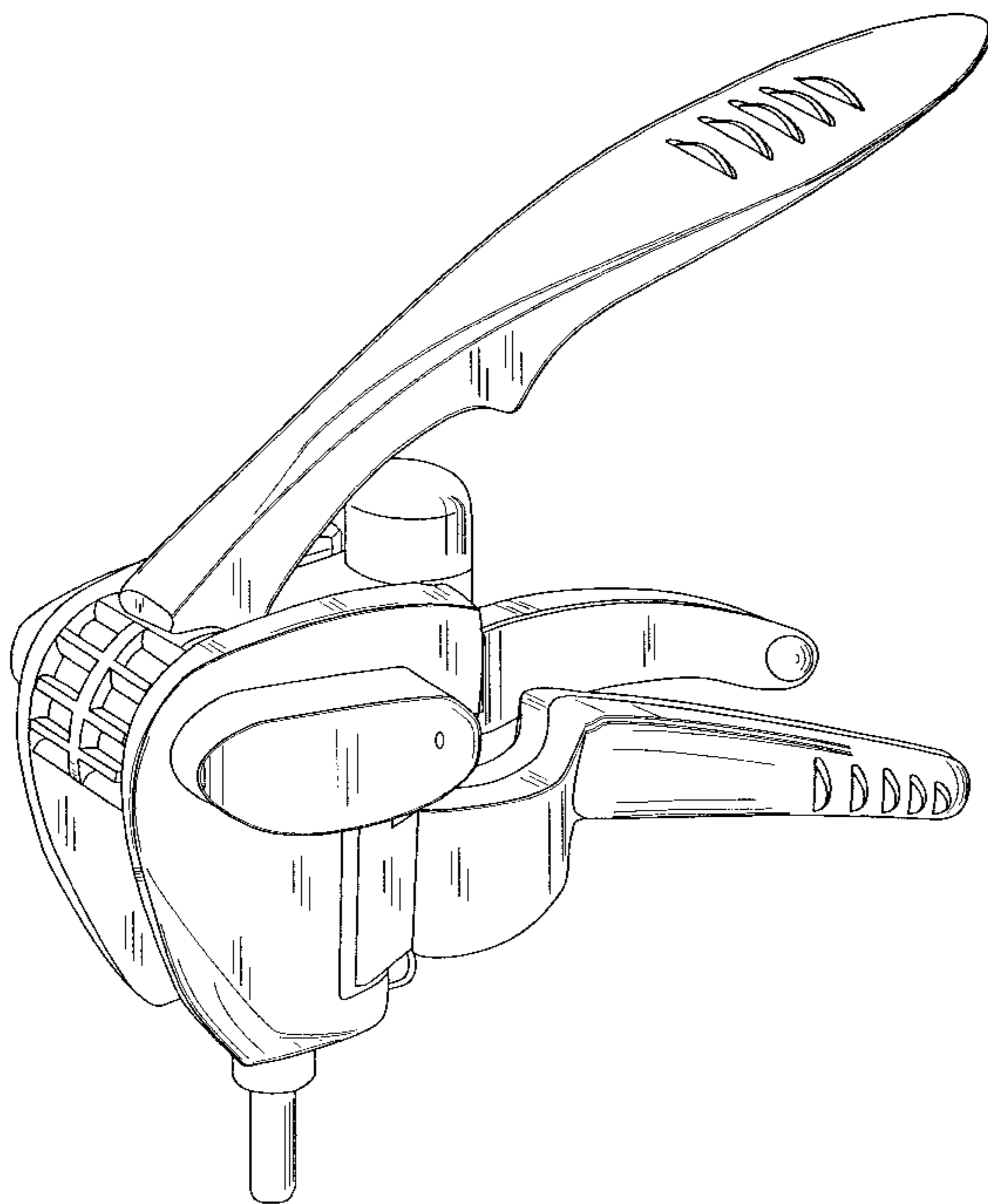
(57) **CLAIM**

The ornamental design for a corkscrew, as shown and described.

DESCRIPTION

FIG. 1 is a perspective view of the corkscrew with the operating handle in closed position;
 FIG. 2 is a side elevational view thereof, the opposite side being a mirror image thereof;
 FIG. 3 is a top view thereof;
 FIG. 4 is a bottom view thereof;
 FIG. 5 is a front view thereof; and,
 FIG. 6 is a back view thereof.
 FIG. 7 is a perspective view of the corkscrew with the operating handle in open position;
 FIG. 8 is a side view thereof, the opposite side being a mirror image thereof;
 FIG. 9 is a top view thereof;
 FIG. 10 is a bottom view thereof;
 FIG. 11 is a front view thereof; and,
 FIG. 12 is a back view thereof.

1 Claim, 12 Drawing Sheets



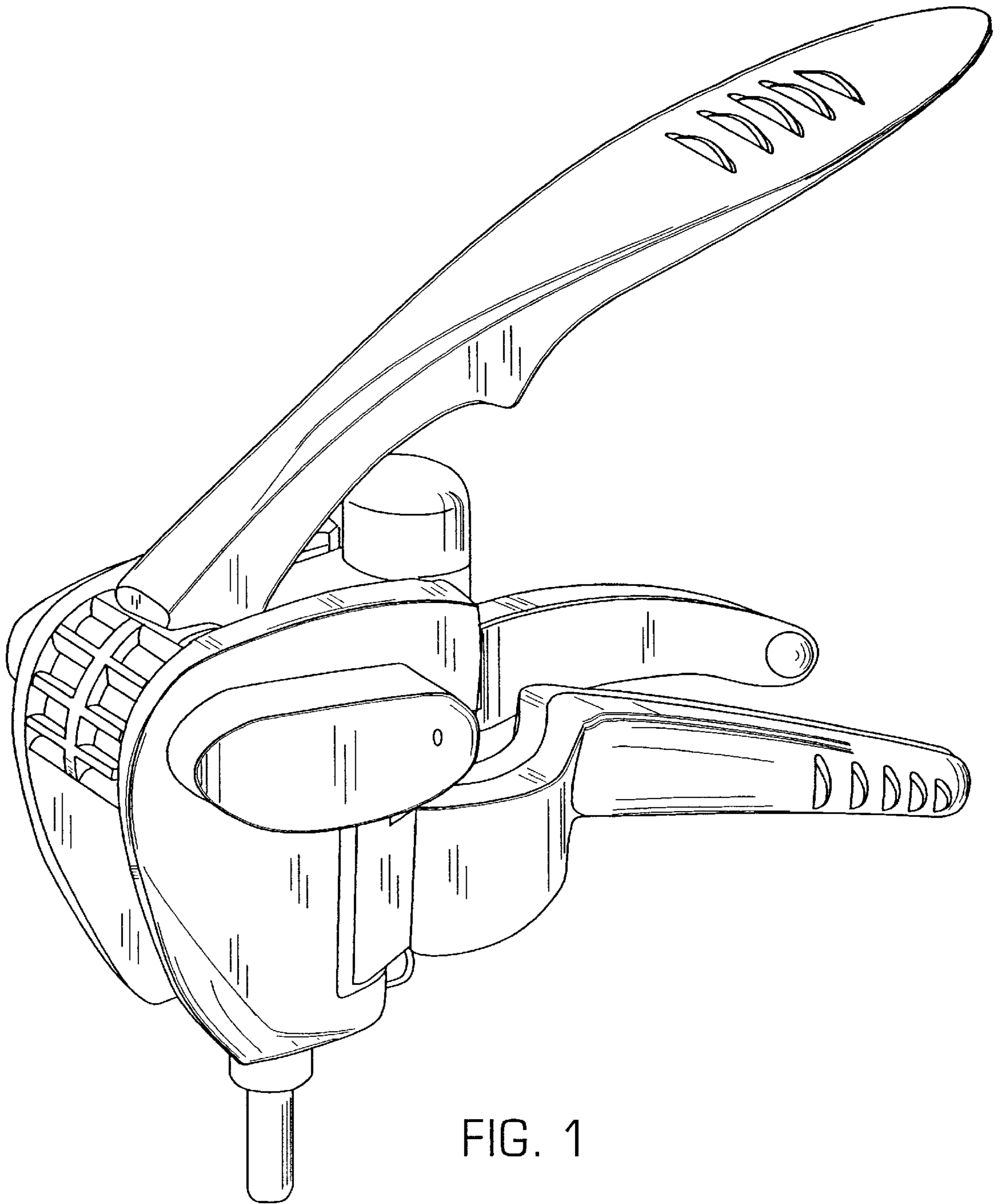


FIG. 1

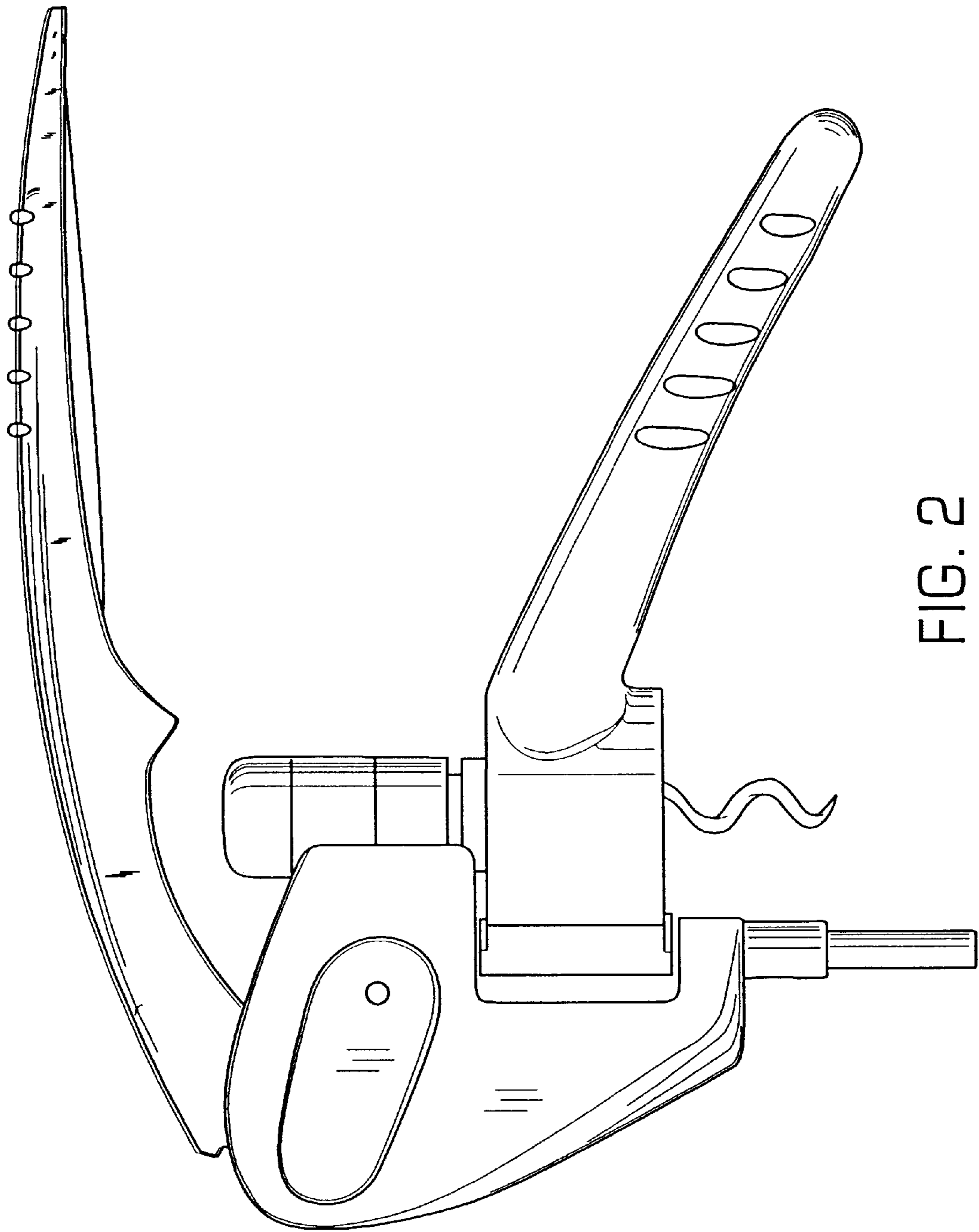


FIG. 2

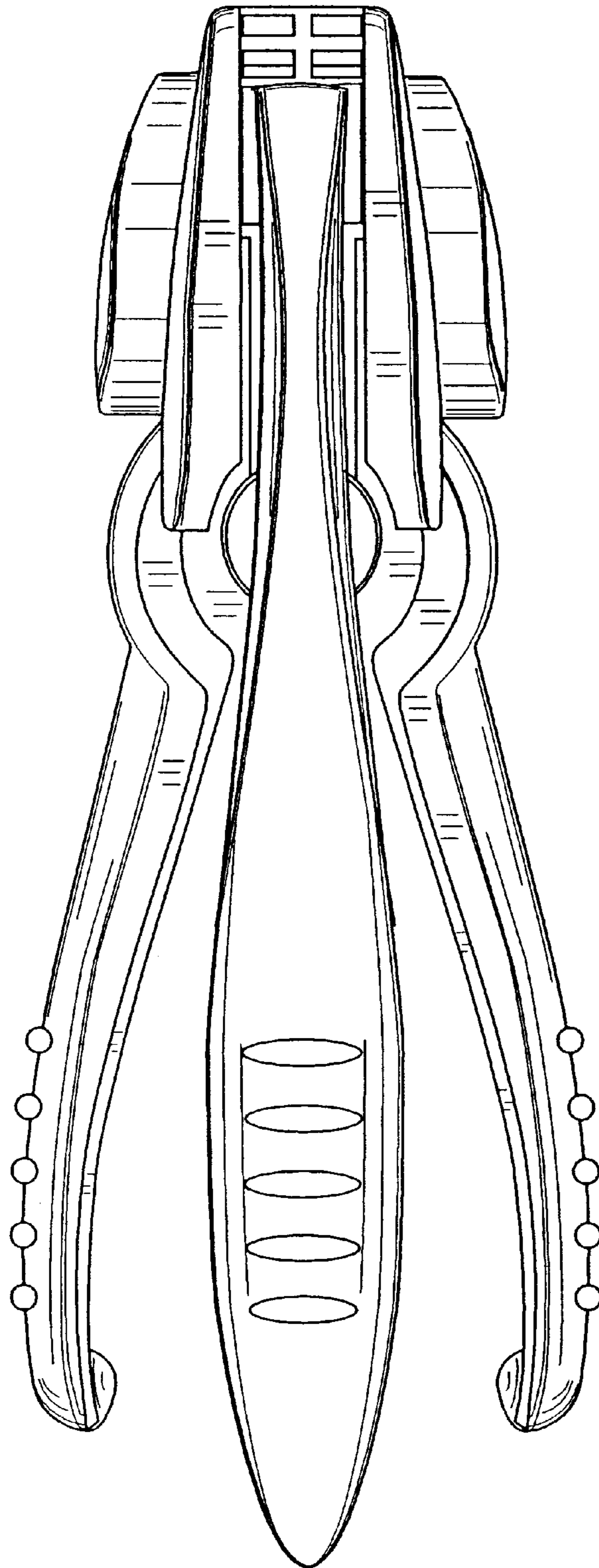


FIG. 3

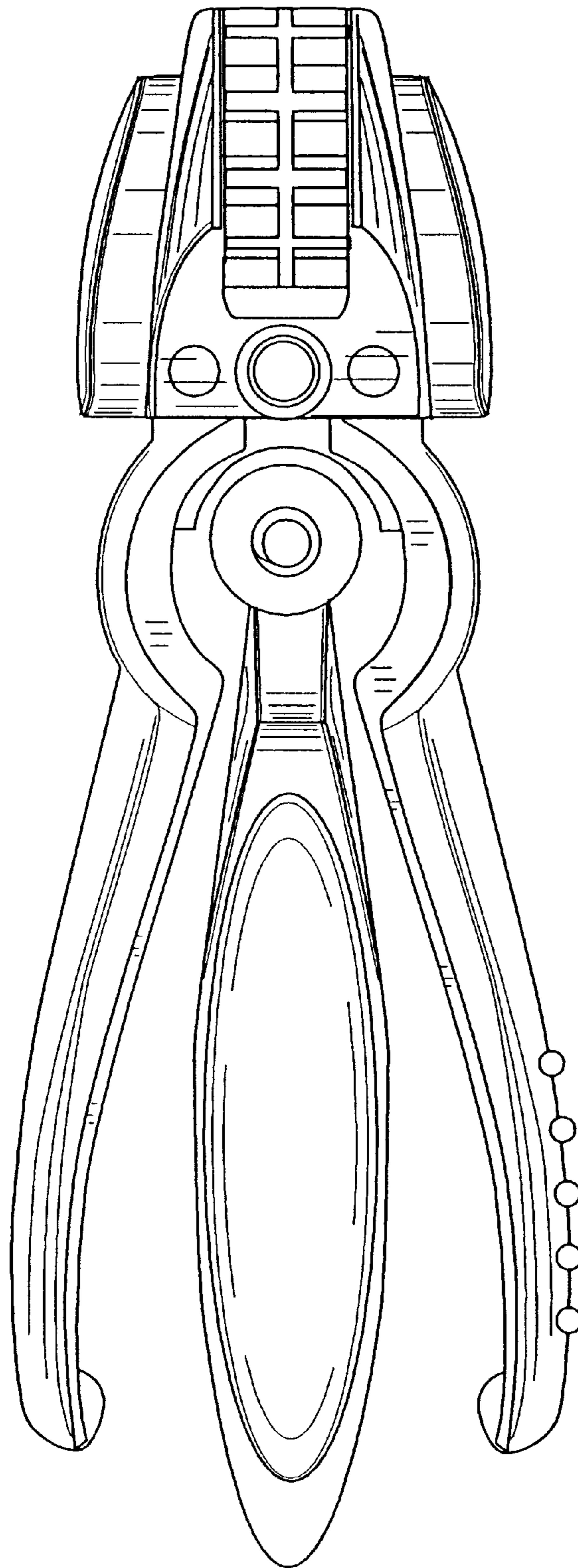


FIG. 4

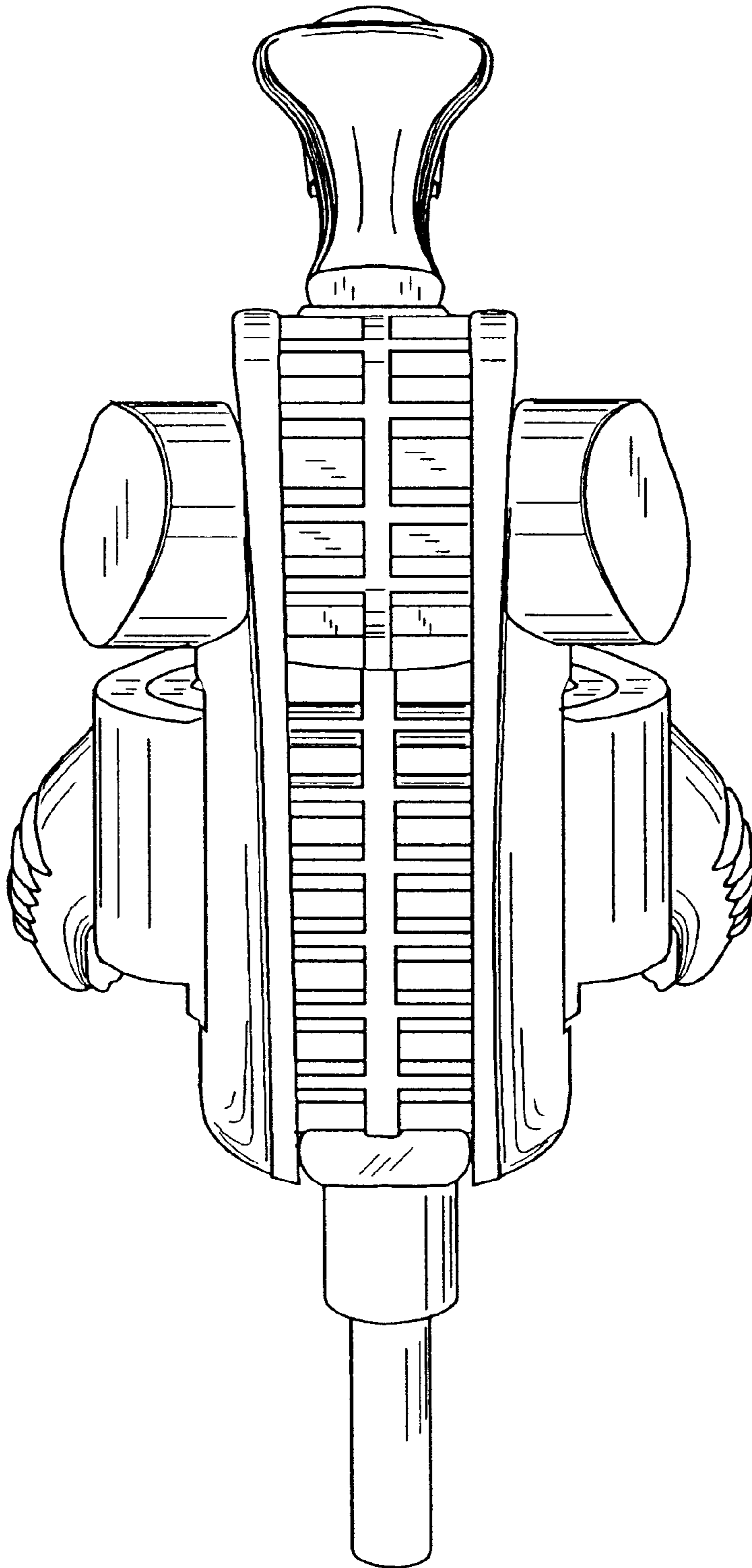


FIG. 5

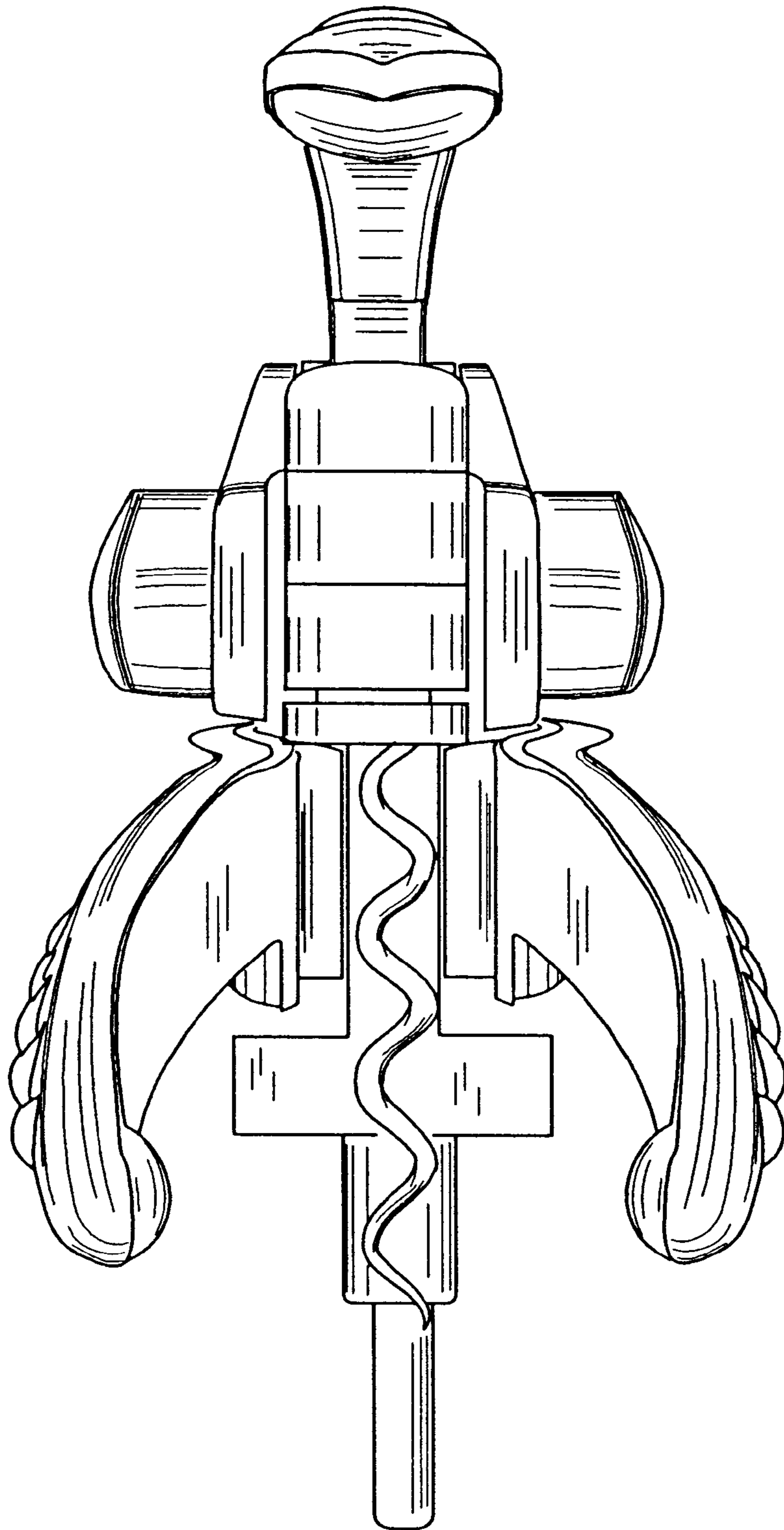


FIG. 6

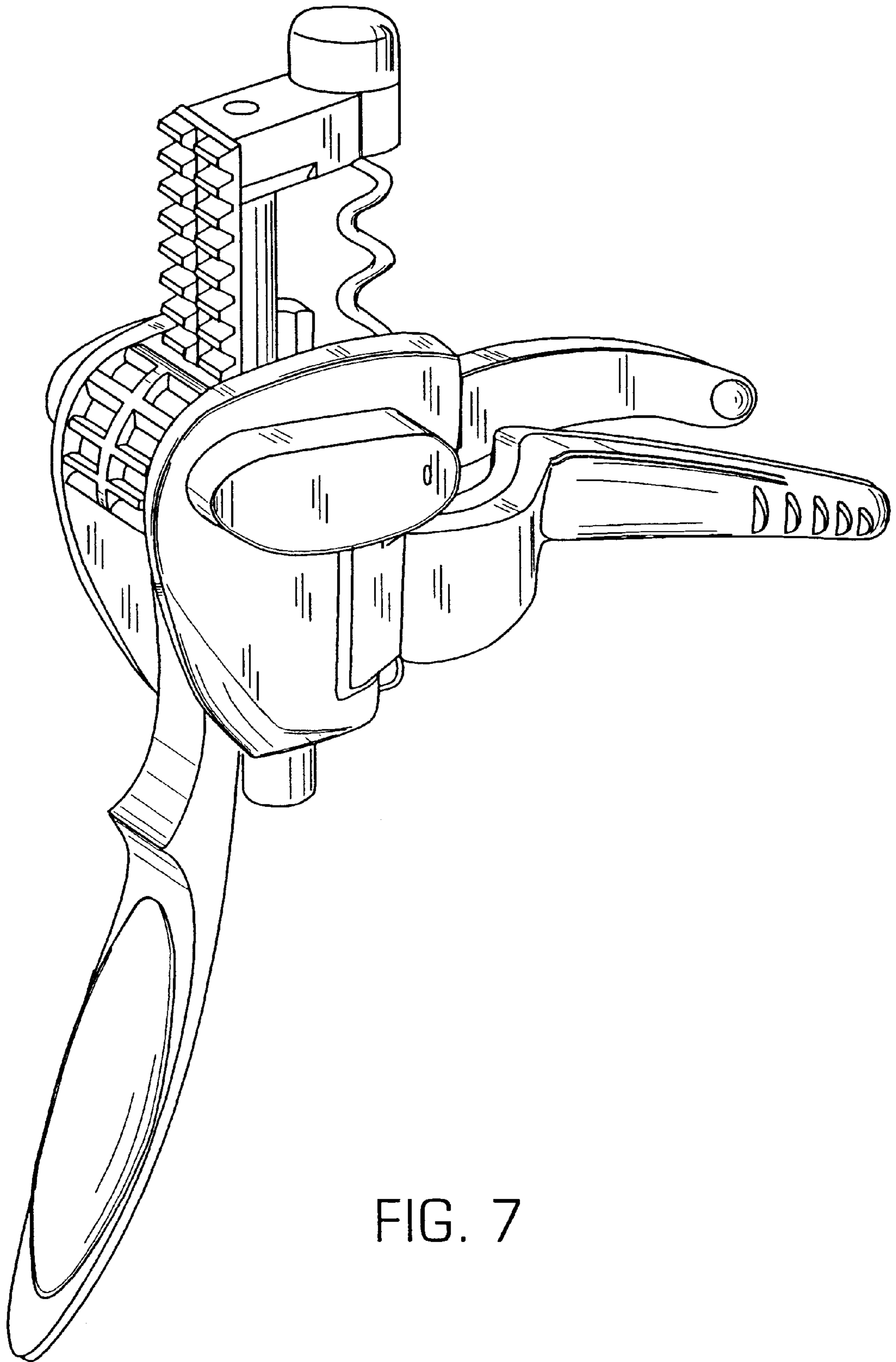


FIG. 7

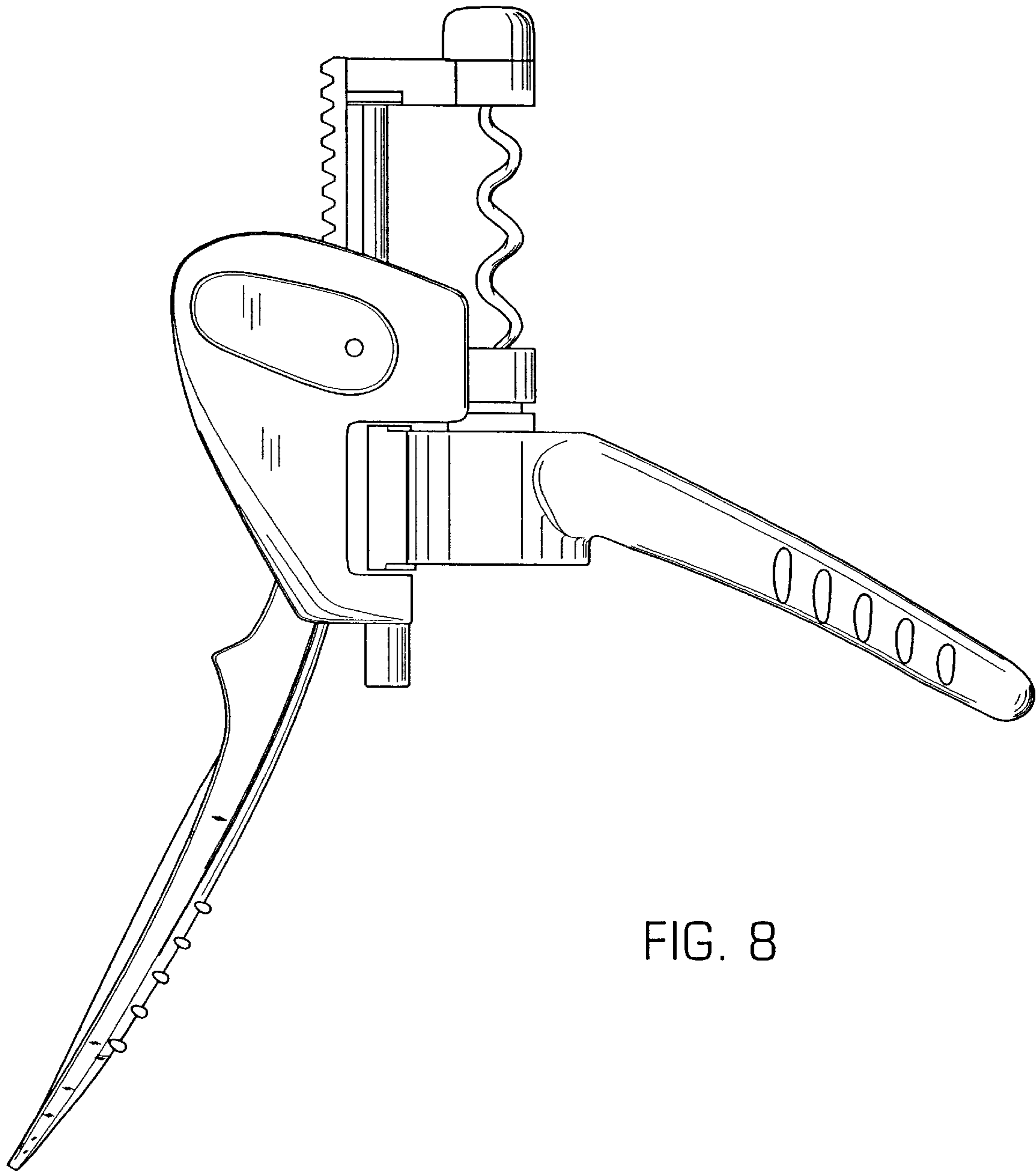


FIG. 8

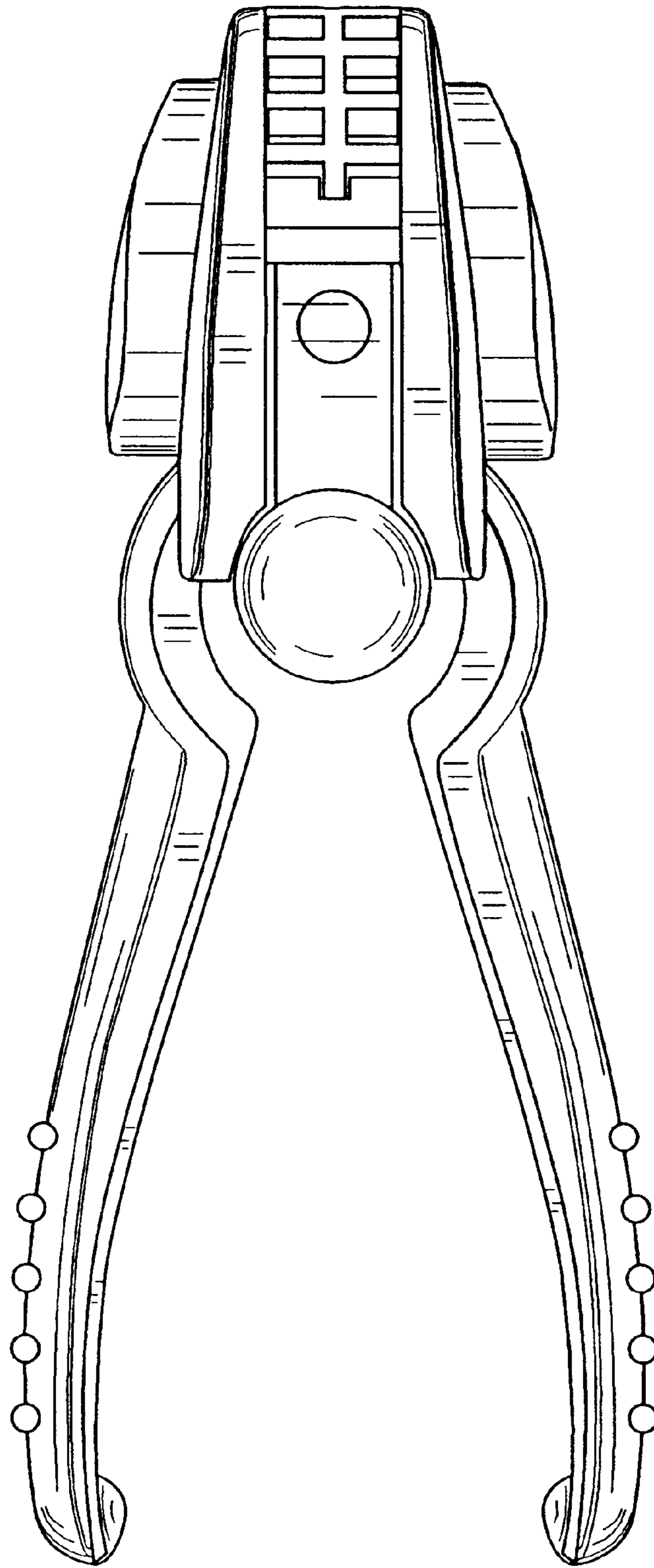


FIG. 9

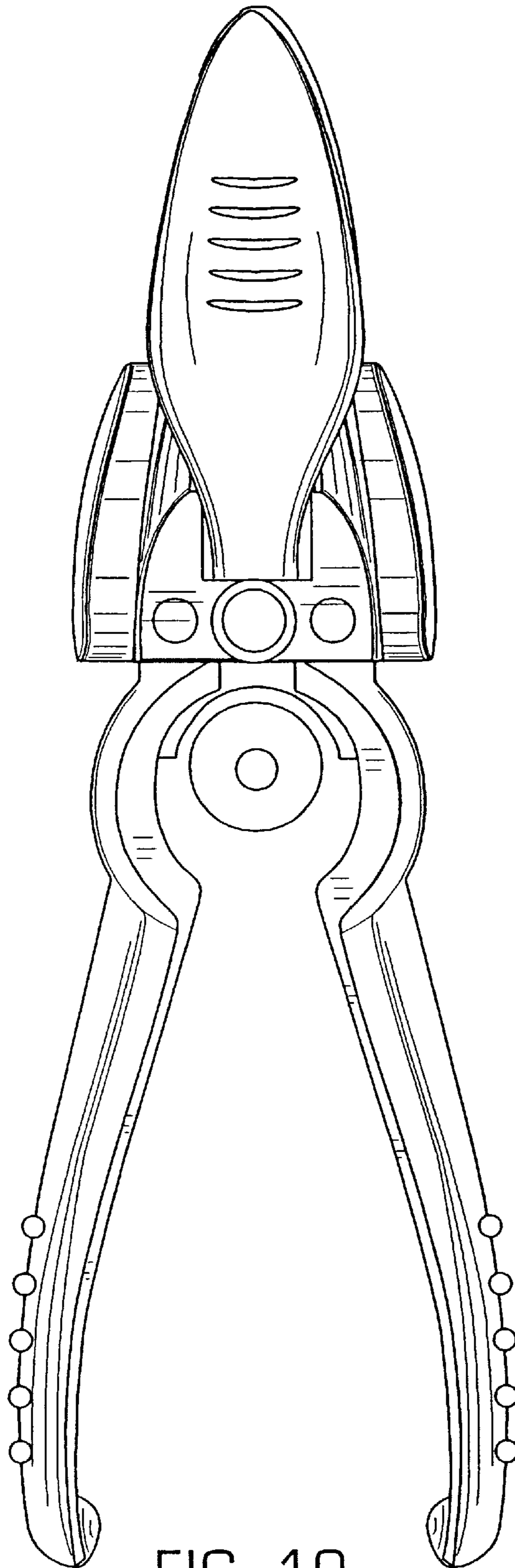


FIG. 10

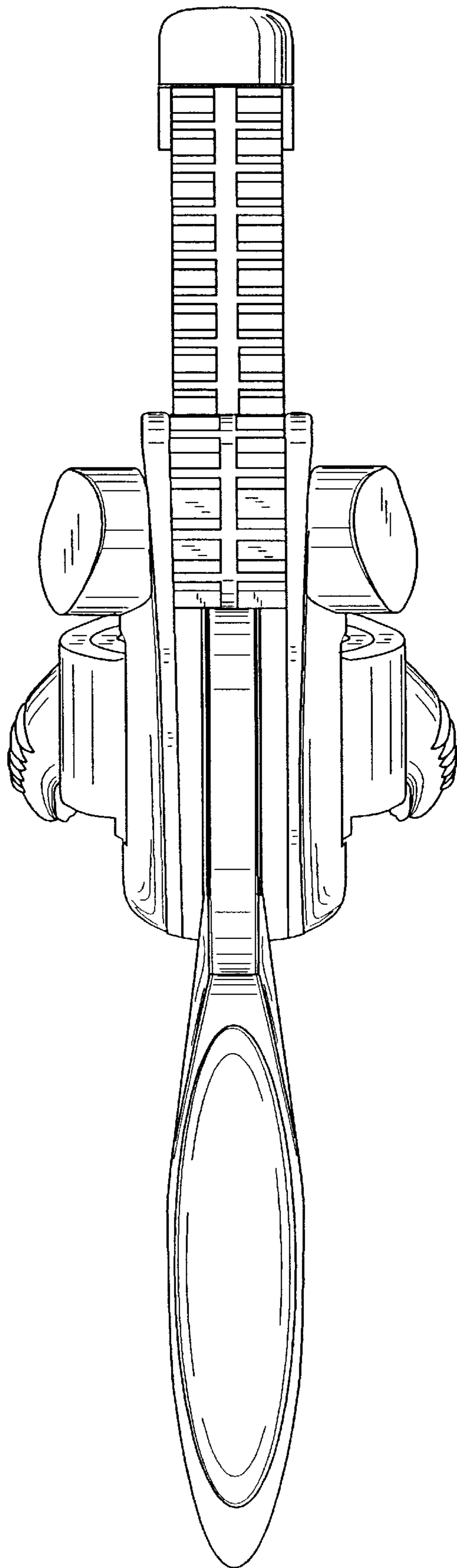


FIG. 11

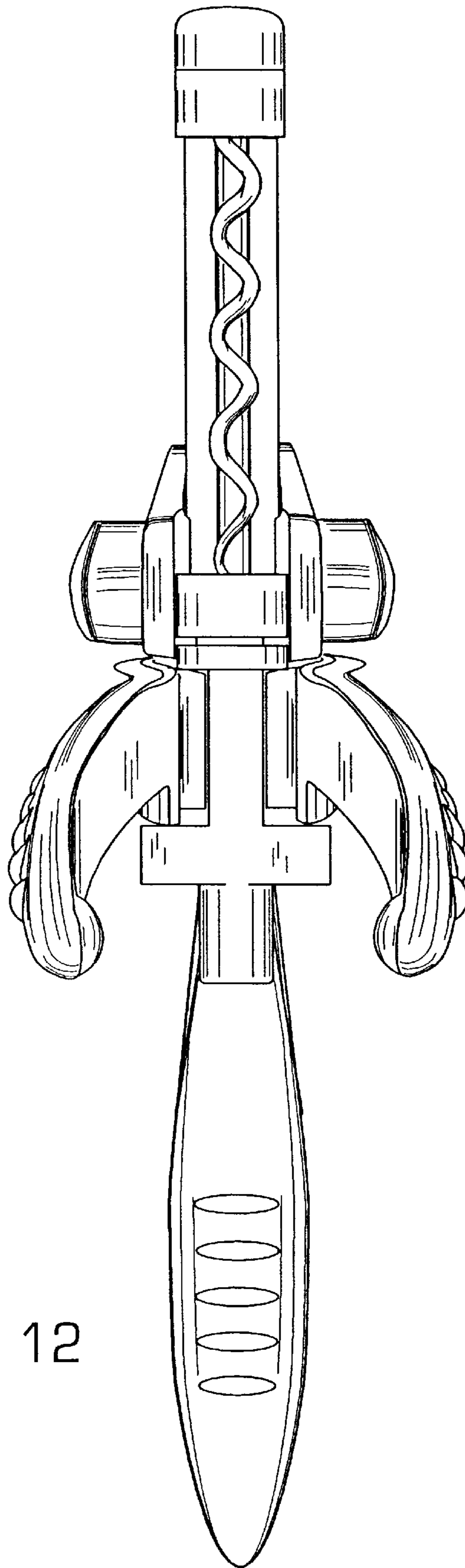


FIG. 12