



US00D455057S

(12) **United States Design Patent**  
**Medhurst**

(10) **Patent No.:** **US D455,057 S**

(45) **Date of Patent:** **\*\* Apr. 2, 2002**

(54) **UTILITY KNIFE BLADE**

(74) *Attorney, Agent, or Firm*—Patrick J. Hofbauer

(76) **Inventor:** **Simon Medhurst**, 3218 Rainbow Court,  
Burlington, Ontario (CA), L7M 2T8

(57) **CLAIM**

(\*\*) **Term:** **14 Years**

The ornamental design for a utility knife blade, as shown and described.

(21) **Appl. No.:** **29/145,361**

**DESCRIPTION**

(22) **Filed:** **Jul. 23, 2001**

FIG. 1 is a perspective view of a first embodiment of a utility knife blade showing my new design;

(51) **LOC (7) Cl.** ..... **08-03**

FIG. 2 is a front elevational view of the embodiment shown in FIG. 1 thereof;

(52) **U.S. Cl.** ..... **D8/20**

FIG. 3 is a rear elevational view of the embodiment shown in FIG. 1 thereof;

(58) **Field of Search** ..... D8/8, 9, 19, 20,  
D8/66, 70; D15/133, 139; D24/146, 147,  
149; 30/32, 166.3, 340, 342, 346, 353,  
355, 394, 357; 76/112, 115; 83/835, 697,  
699.21, 746; 125/15, 18; 606/176, 177;  
D28/45

FIG. 4 is a top plan view of the embodiment shown in FIG. 1 thereof;

FIG. 5 is a bottom plan view of the embodiment shown in FIG. 1 thereof;

(56) **References Cited**

**U.S. PATENT DOCUMENTS**

2,027,964	A	*	1/1936	Delbon	.....	30/346
D248,167	S	*	6/1978	Kanai	.....	D24/147
5,337,482	A	*	8/1994	Schmidt	.....	30/346
5,400,512	A	*	3/1995	Brush	.....	30/340
D358,643	S	*	5/1995	Knepshield et al.	.....	D24/146
5,509,187	A	*	4/1996	Gold	.....	30/342
5,572,794	A	*	11/1996	Kalbern	.....	30/353
D400,412	S	*	11/1998	Gold	.....	D8/20
D406,221	S	*	3/1999	Schmidt	.....	D8/20
6,163,963	A	*	12/2000	Huang	.....	30/340

FIG. 6 is a right end elevational view of the embodiment shown in FIG. 1 thereof;

FIG. 7 is a left end elevational view of the embodiment in FIG. 1 thereof;

FIG. 8 is a front elevational view of a second embodiment of a utility knife blade showing my new design;

FIG. 9 is a rear elevational view of the embodiment in FIG. 8 thereof;

FIG. 10 is a bottom plan view of the embodiment in FIG. 8 thereof;

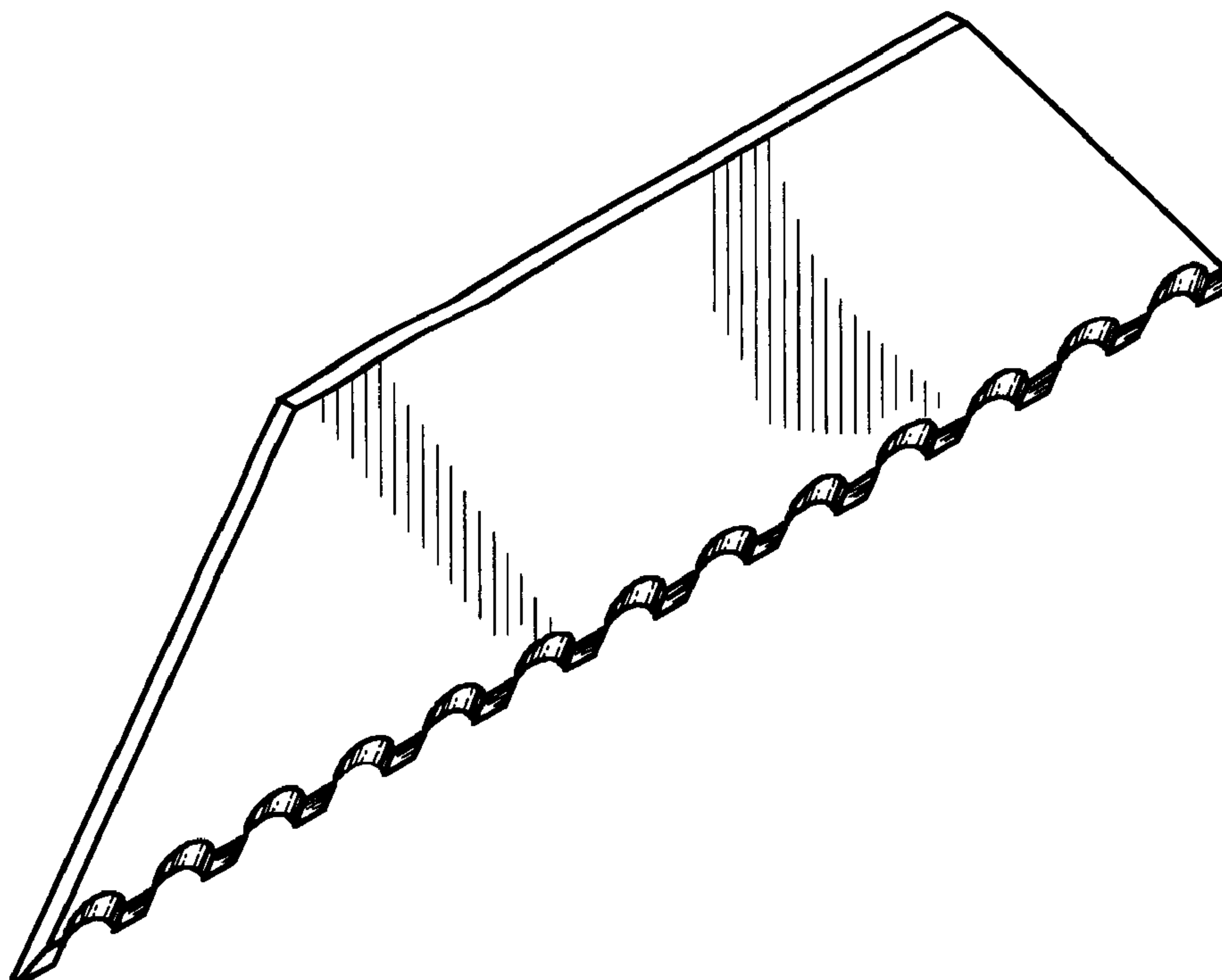
FIG. 11 is a right end elevational view of the embodiment in FIG. 8 thereof; and,

FIG. 12 is a left end elevational view of the embodiment in FIG. 8 thereof.

\* cited by examiner

*Primary Examiner*—Doris V. Coles

**1 Claim, 2 Drawing Sheets**



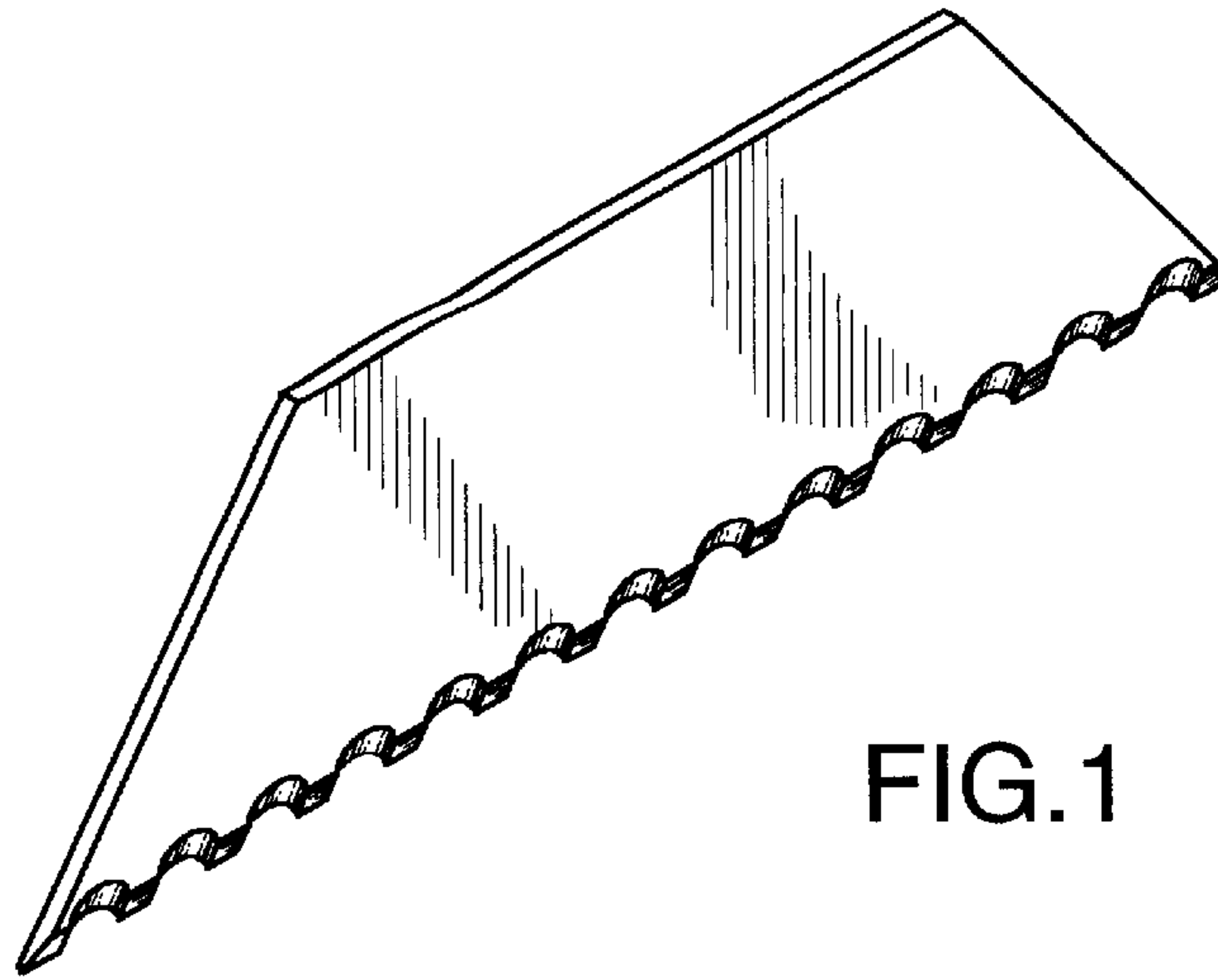


FIG. 1

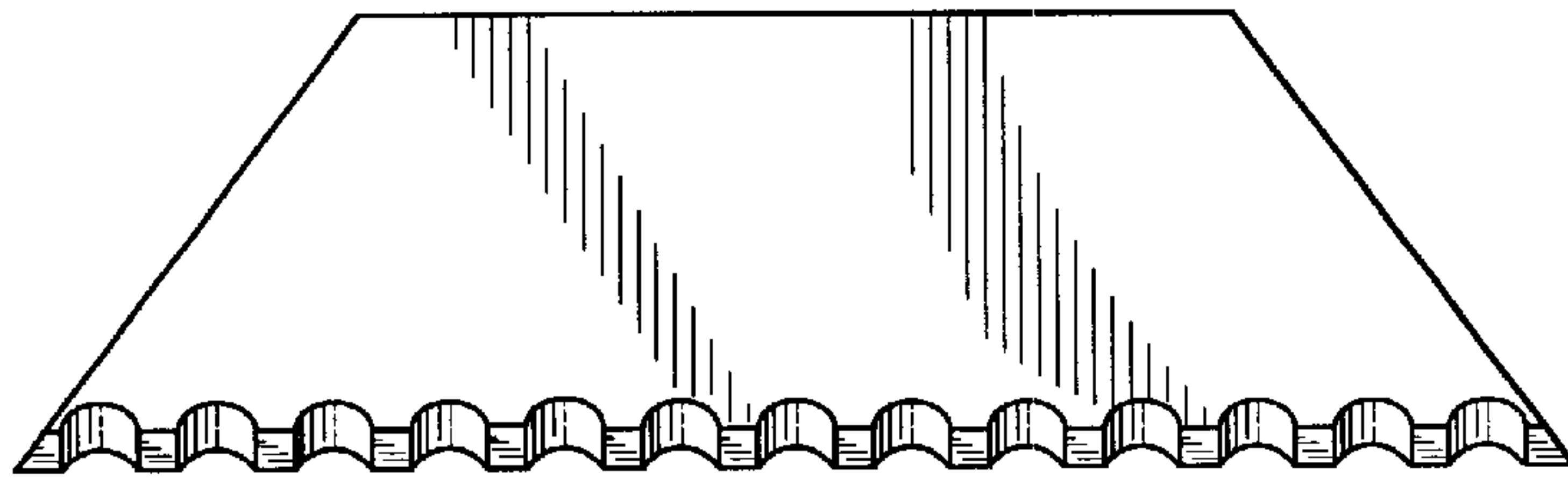


FIG. 2



FIG. 6

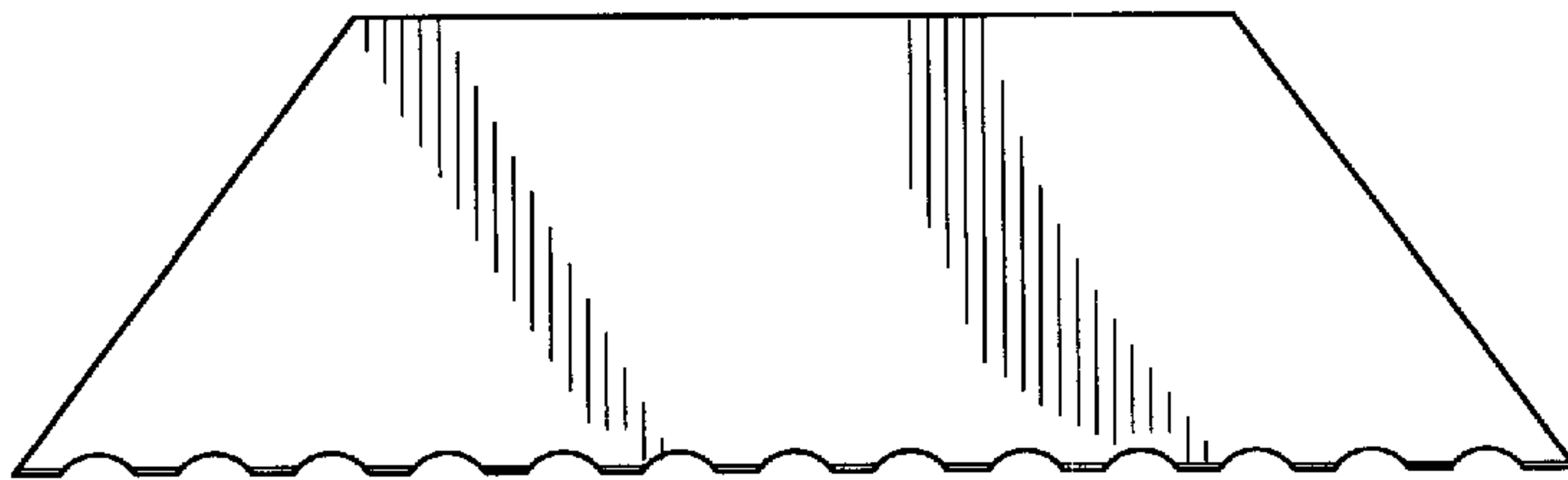


FIG. 3

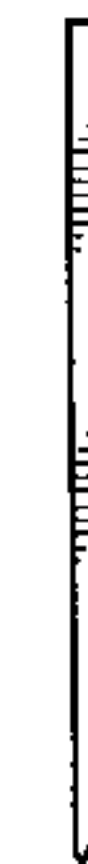


FIG. 7

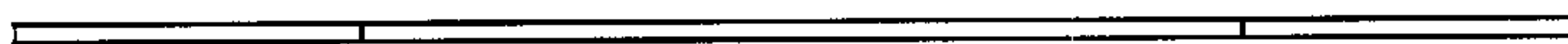


FIG. 4



FIG. 5

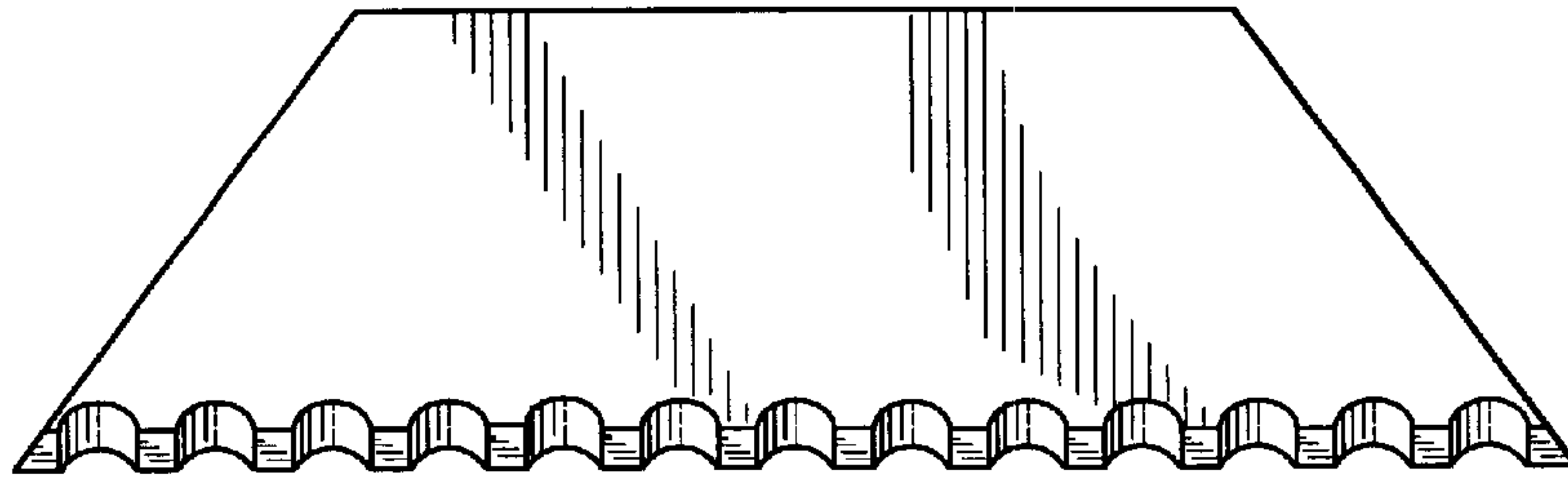


FIG. 8

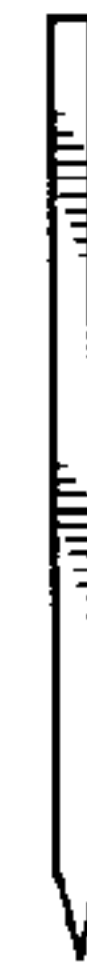


FIG. 11

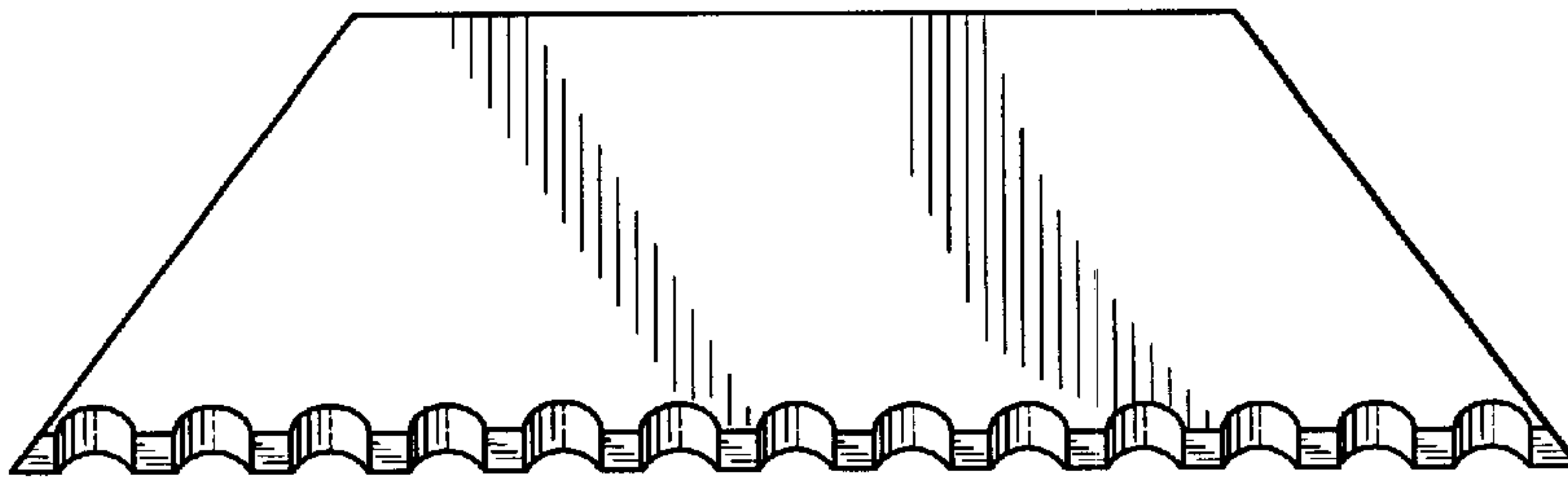


FIG. 9

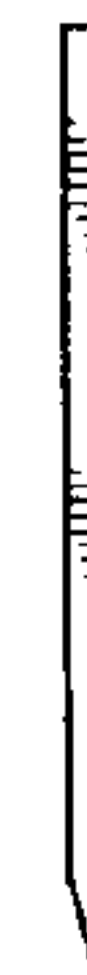


FIG. 12

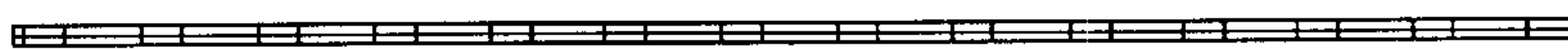


FIG. 10