



US00D455054S

(12) **United States Design Patent**
Moench

(10) **Patent No.:** **US D455,054 S**

(45) **Date of Patent:** **** Apr. 2, 2002**

(54) **TEA INFUSER**

6,138,551 A 10/2000 Bauer et al.
6,202,542 B1 3/2001 Melton

(76) Inventor: **Larry Ross Moench**, 10316 Jarmel Dr.,
NW., Albuquerque, NM (US) 87114

* cited by examiner

(**) Term: **14 Years**

Primary Examiner—Terry A. Wallace
(74) *Attorney, Agent, or Firm*—Dennis F. Armijo

(21) Appl. No.: **29/142,121**

(57) **CLAIM**

(22) Filed: **May 21, 2001**

The ornamental design for a tea infuser, as shown and described.

(51) **LOC (7) Cl.** **07-04**

(52) **U.S. Cl.** **D7/667; D7/400**

(58) **Field of Search** D7/667, 668, 399,
D7/400; 99/279, 322, 323, 403, 426; 210/464,
465, 470, 473, 474, 477, 482, 498, 499

DESCRIPTION

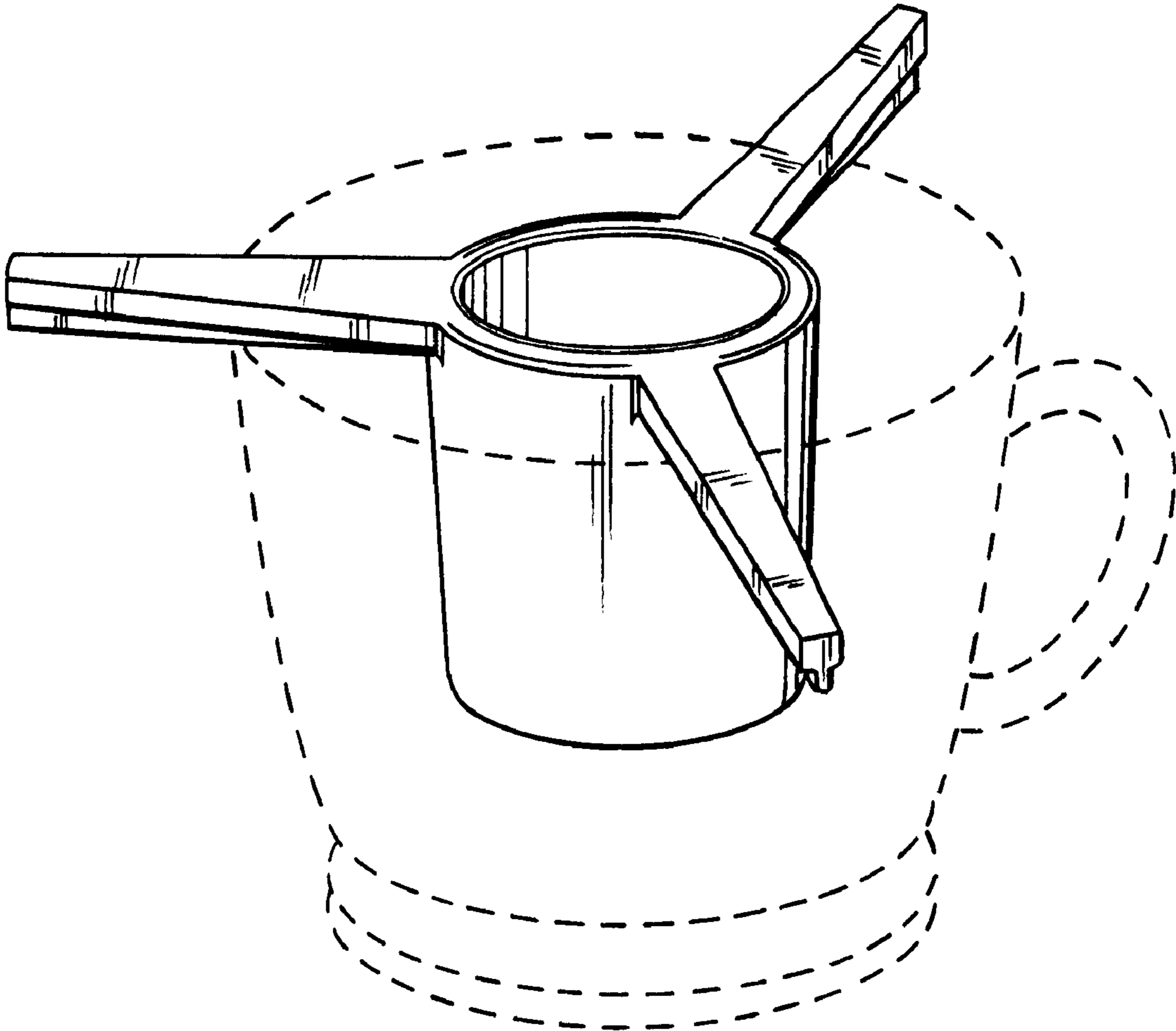
FIG. 1 is a front view of the tea infuser embodying my new design;
FIG. 2 is a rear view thereof;
FIG. 3 is a right side view, the left side view being a mirror image thereof;
FIG. 4 is a top view thereof;
FIG. 5 is a bottom view thereof; and,
FIG. 6 is a perspective view of the tea infuser on a tea cup.
The broken lines of the tea cup in FIG. 6 are shown for illustrative purposes only and form no part of the claim.

(56) **References Cited**

U.S. PATENT DOCUMENTS

370,141 A	9/1887	Hobbs	
1,293,297 A *	2/1919	Anderson	210/474
1,950,378 A *	3/1934	Andrews	210/470
3,436,044 A *	4/1969	Martinson	D7/667 X
5,652,008 A *	7/1997	Helligman	99/323
5,967,019 A	10/1999	Johnson et al.	

1 Claim, 4 Drawing Sheets



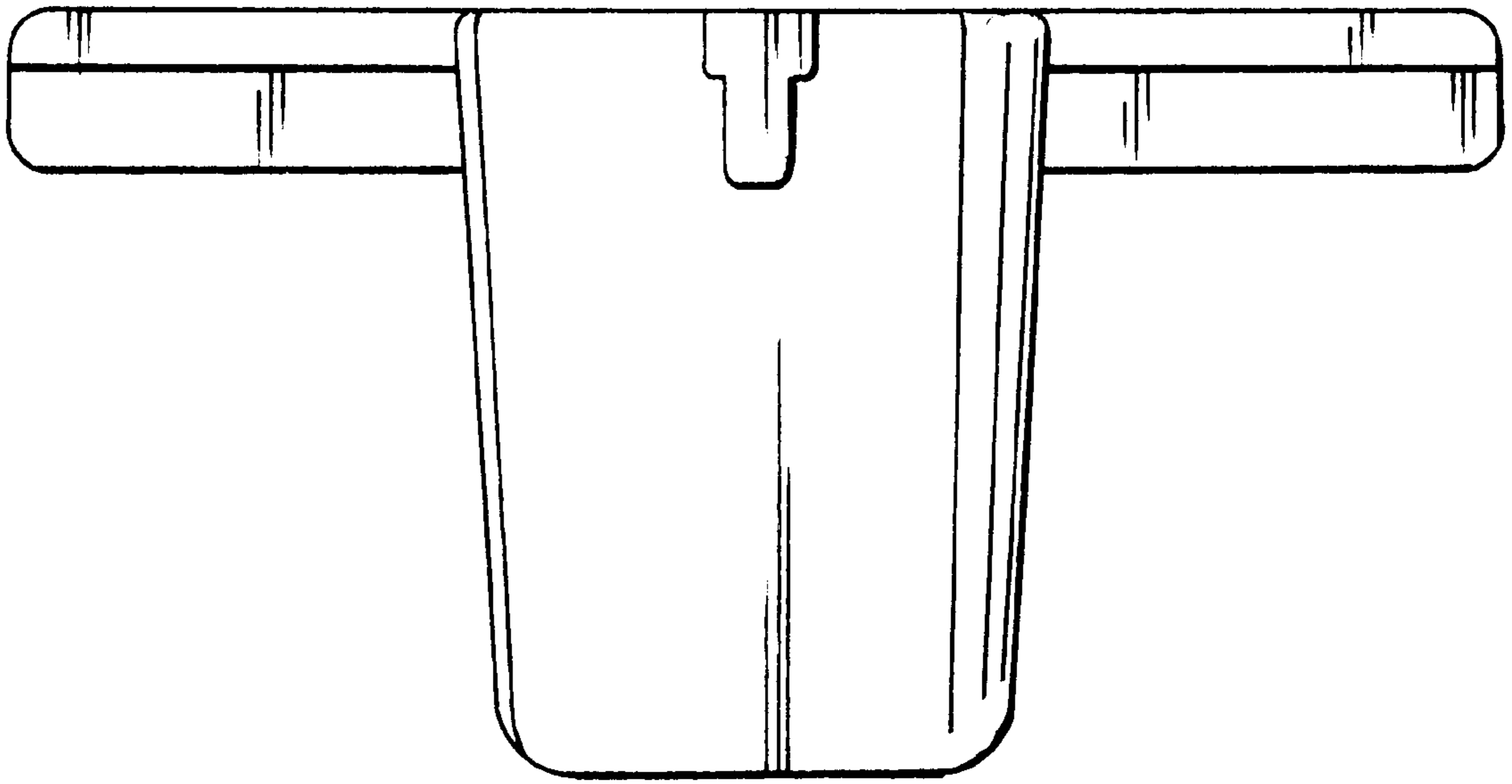


FIG-1

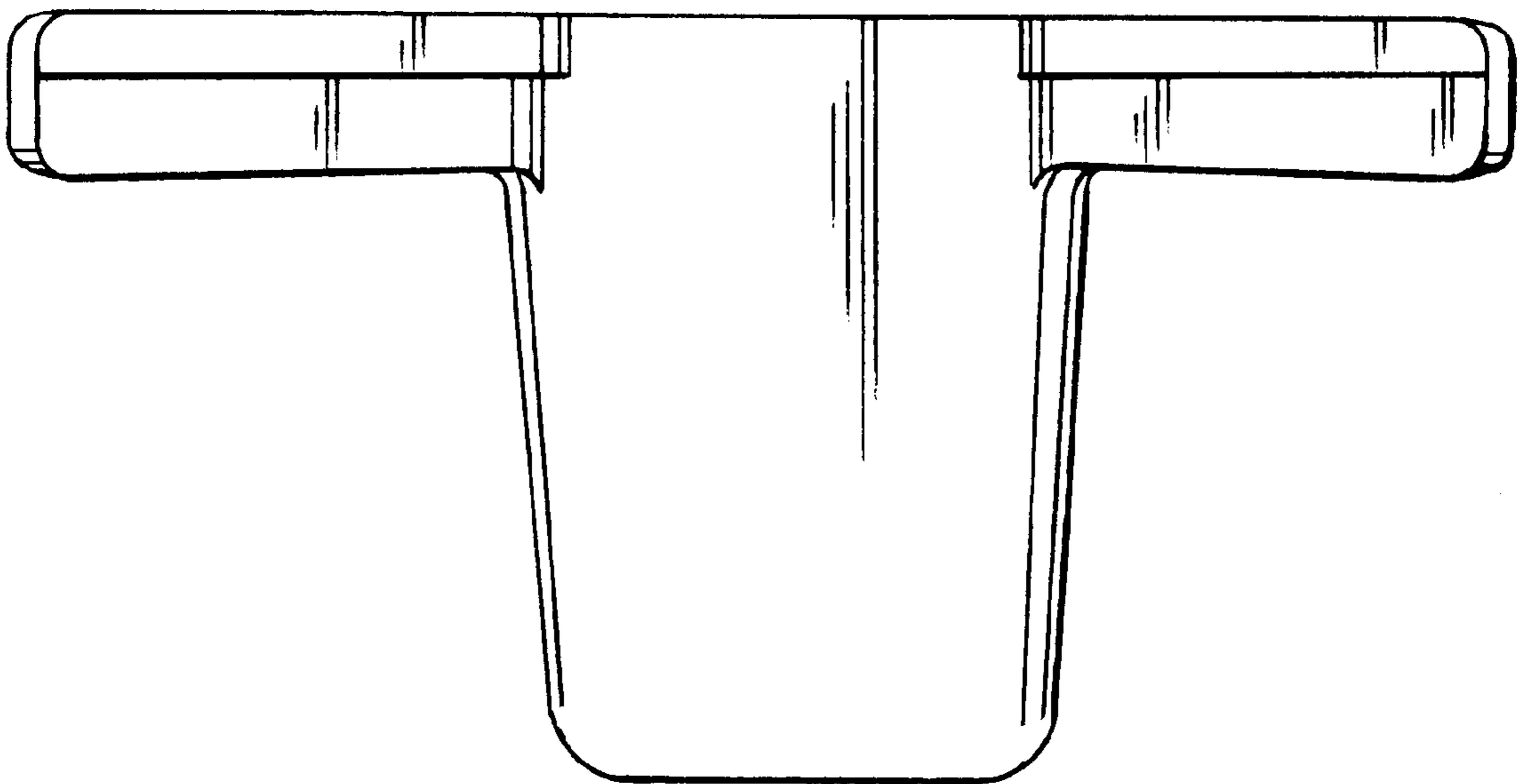


FIG-2

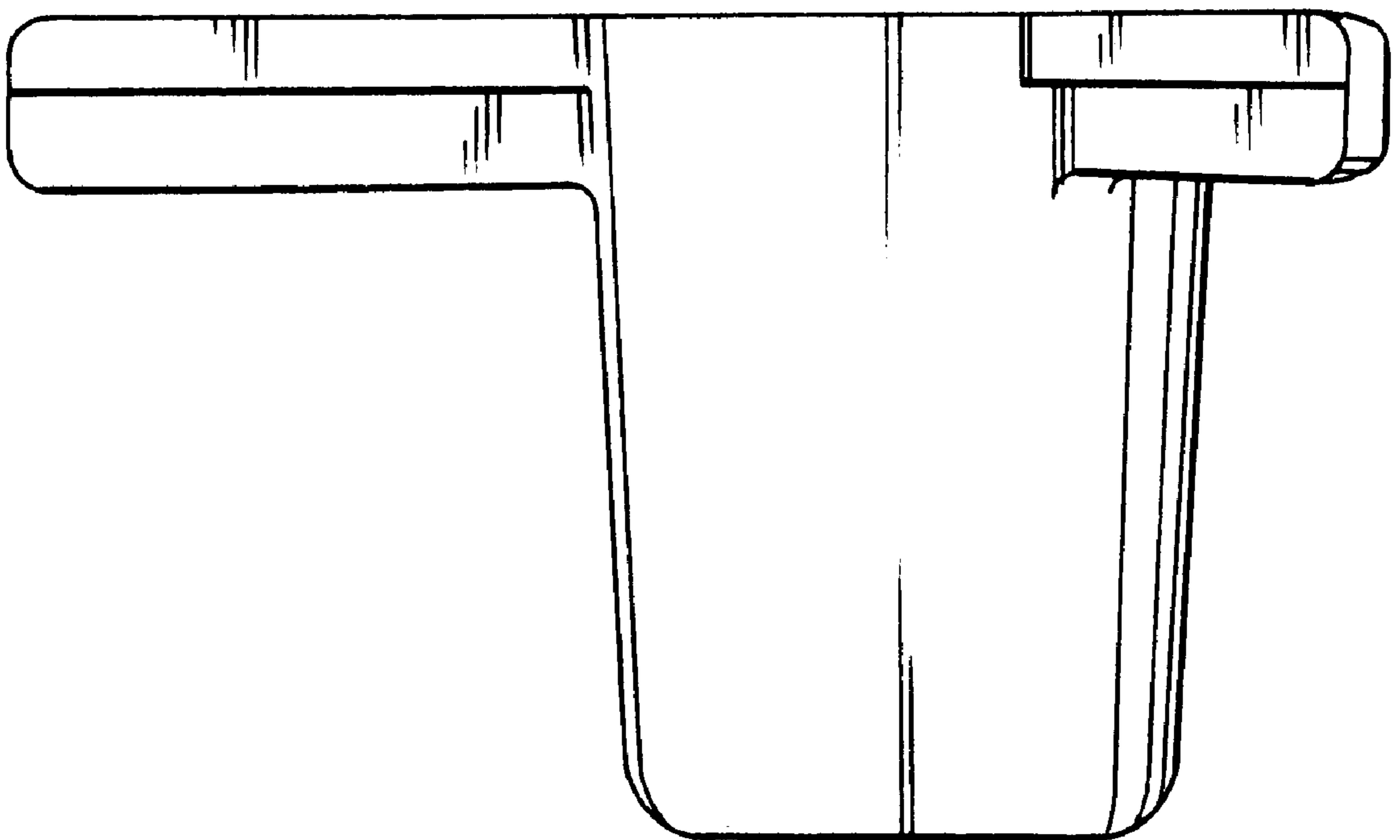


FIG-3

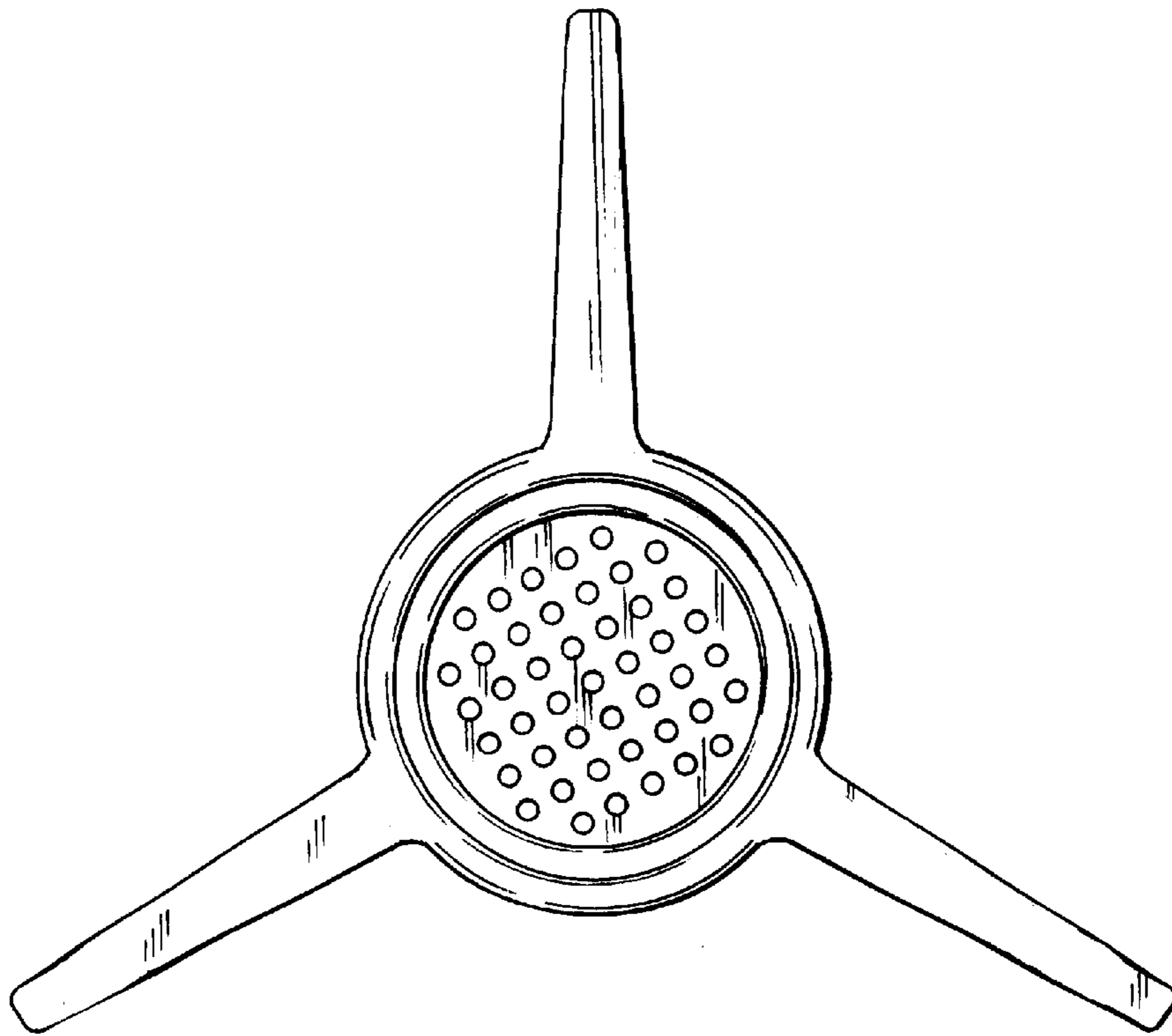


FIG-4

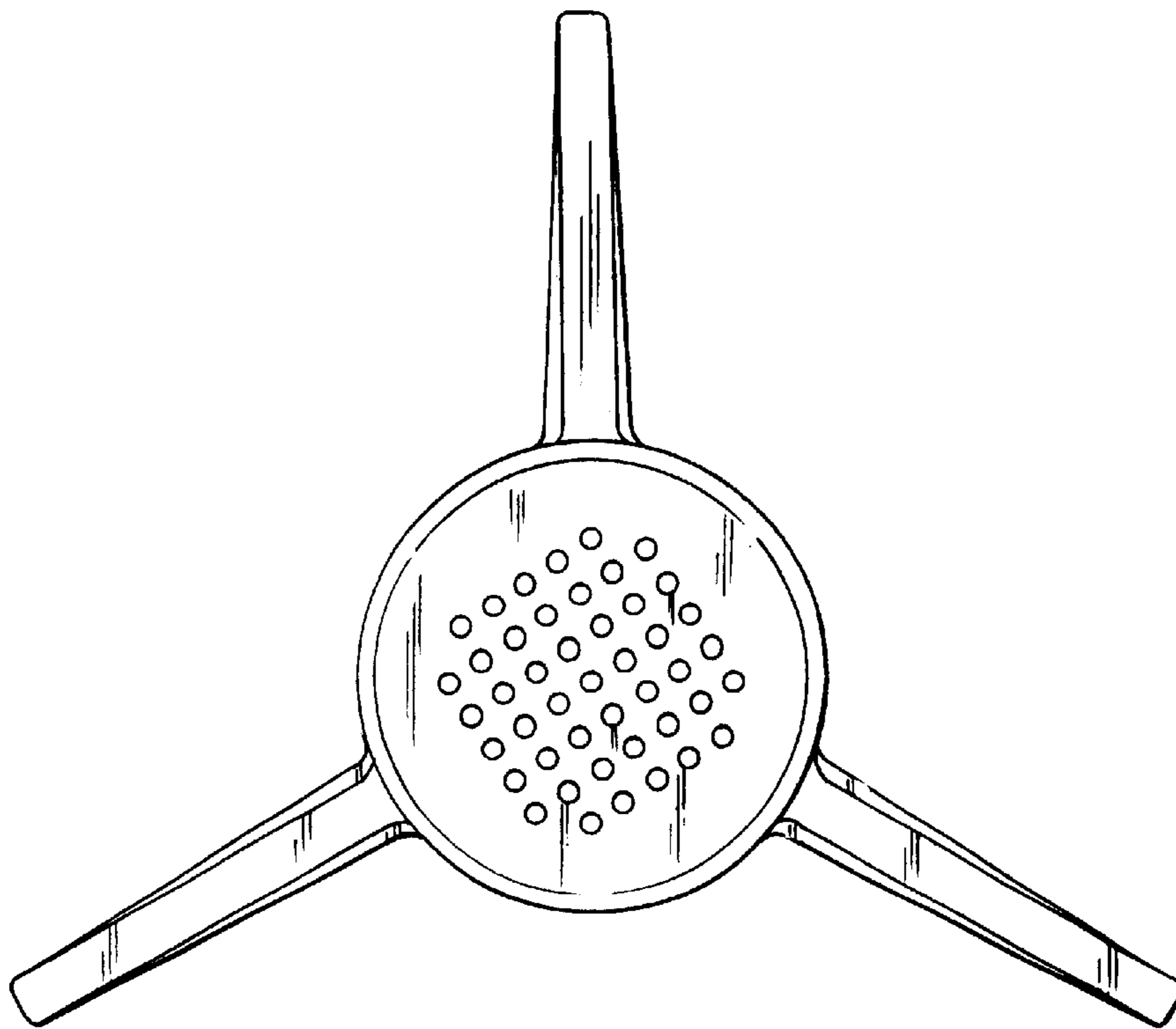


FIG-5

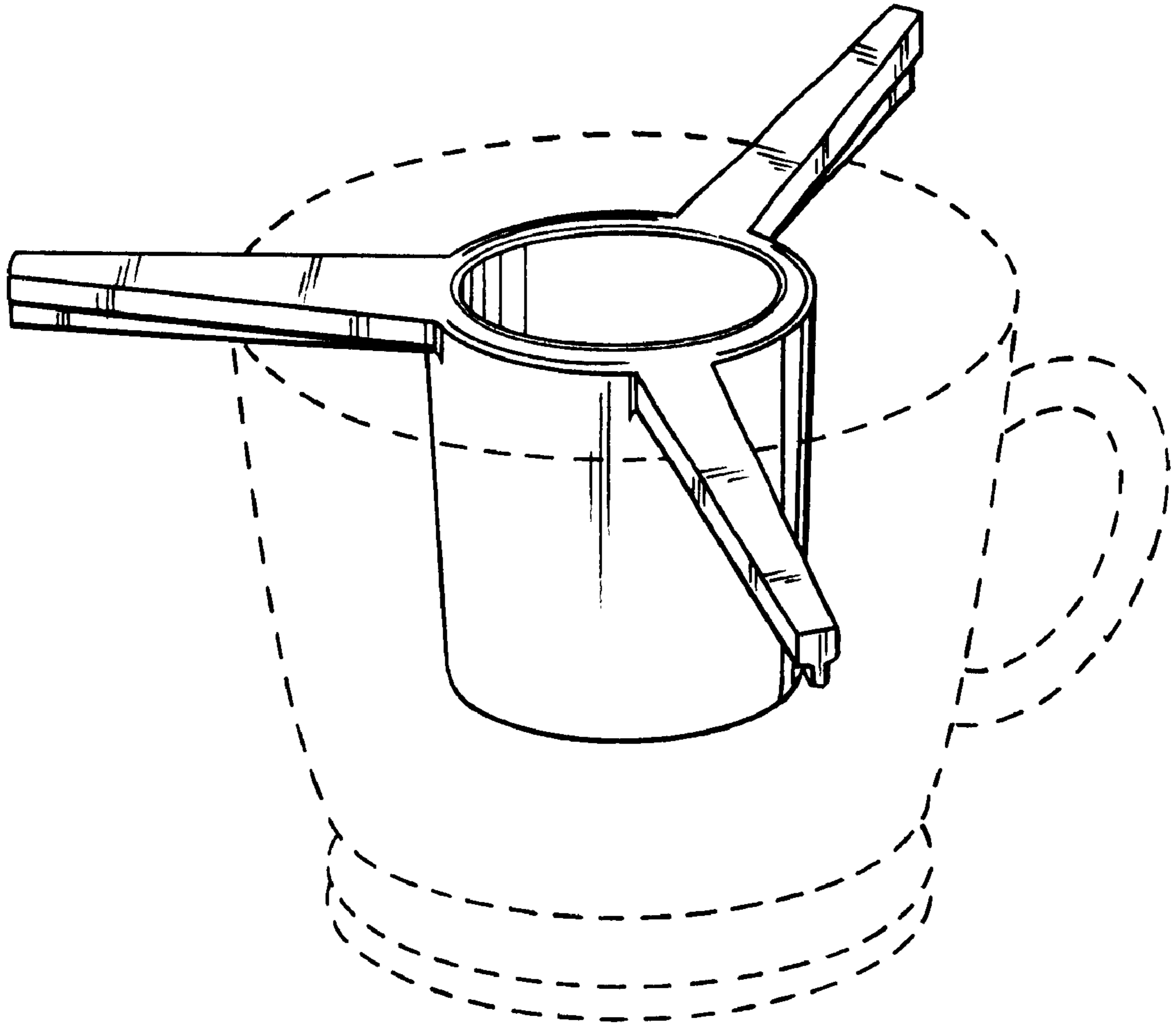


FIG-6