



US00D455051S

(12) **United States Design Patent**
Gjersvik

(10) **Patent No.:** **US D455,051 S**

(45) **Date of Patent:** **** Apr. 2, 2002**

(54) **BEVERAGE CHILLER**

D272,882 S * 3/1984 Gardner et al. D7/603

(76) Inventor: **Gilbert Sebastian Gjersvik**, 157 E.
72nd St., Apt. 11A, New York, NY (US)
10021

* cited by examiner

Primary Examiner—Terry A. Wallace
(74) *Attorney, Agent, or Firm*—Frommer Lawrence &
Haug, LLP; Glenn F. Savit

(**) Term: **14 Years**

(57) **CLAIM**

(21) Appl. No.: **29/129,521**

The ornamental design for beverage chiller, as shown.

(22) Filed: **Sep. 15, 2000**

DESCRIPTION

(51) **LOC (7) Cl.** **07-06**

(52) **U.S. Cl.** **D7/603**

(58) **Field of Search** D7/603, 619, 624,
D7/608, 605; 62/457.1, 457.8, 458; 215/12.2,
13.1

FIG. 1 is a perspective view of an embodiment of the
beverage chiller showing the new design;
FIG. 2 is a top view thereof;
FIG. 3 is a front view thereof;
FIG. 4 is a side elevation view thereof;
FIG. 5 is a rear view thereof; and,
FIG. 6 is a bottom view thereof.

(56) **References Cited**

U.S. PATENT DOCUMENTS

1,906,815 A * 5/1933 Schlumbohm 62/458
3,977,552 A * 8/1976 Lombardo 215/12.2

1 Claim, 3 Drawing Sheets

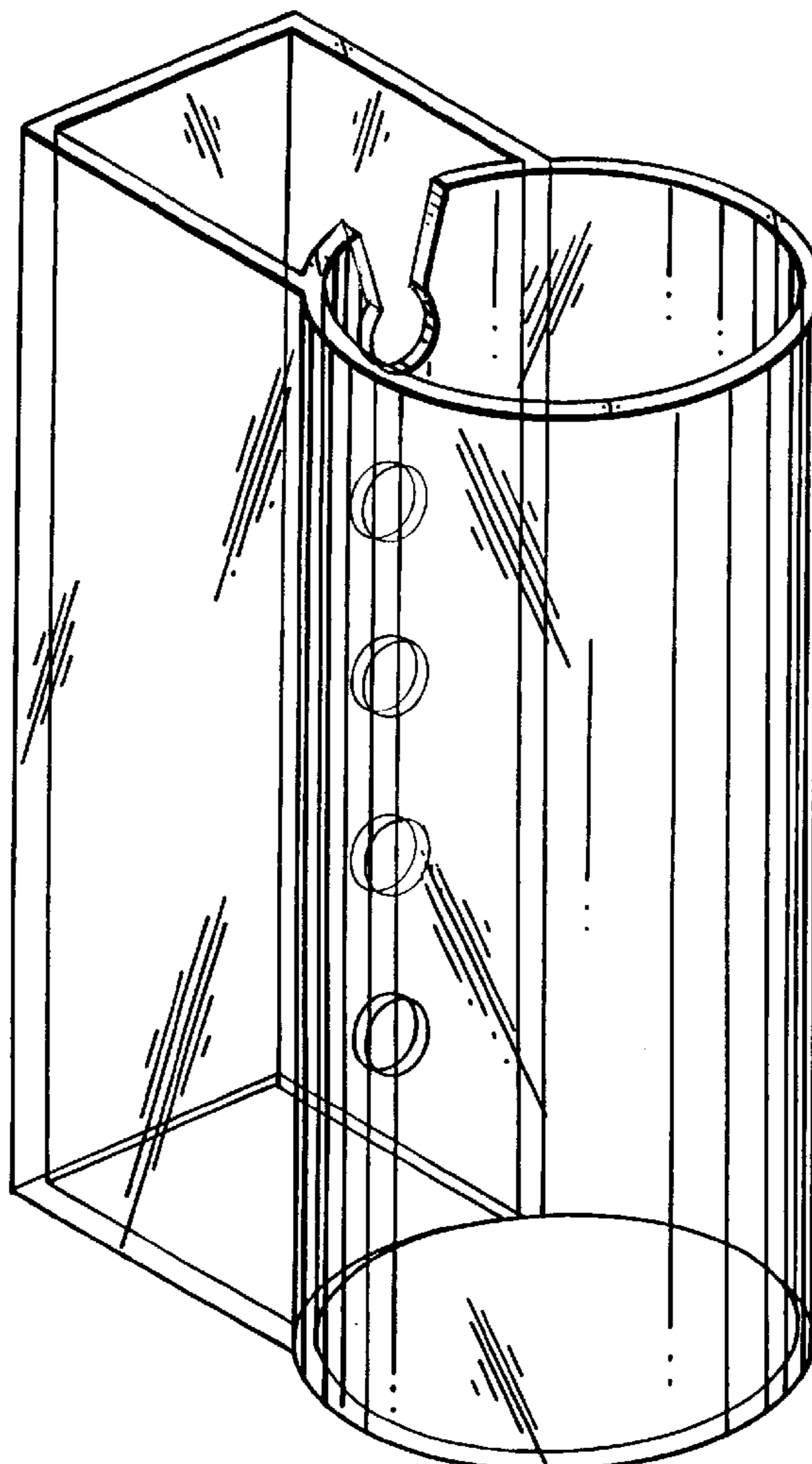


FIG. 2

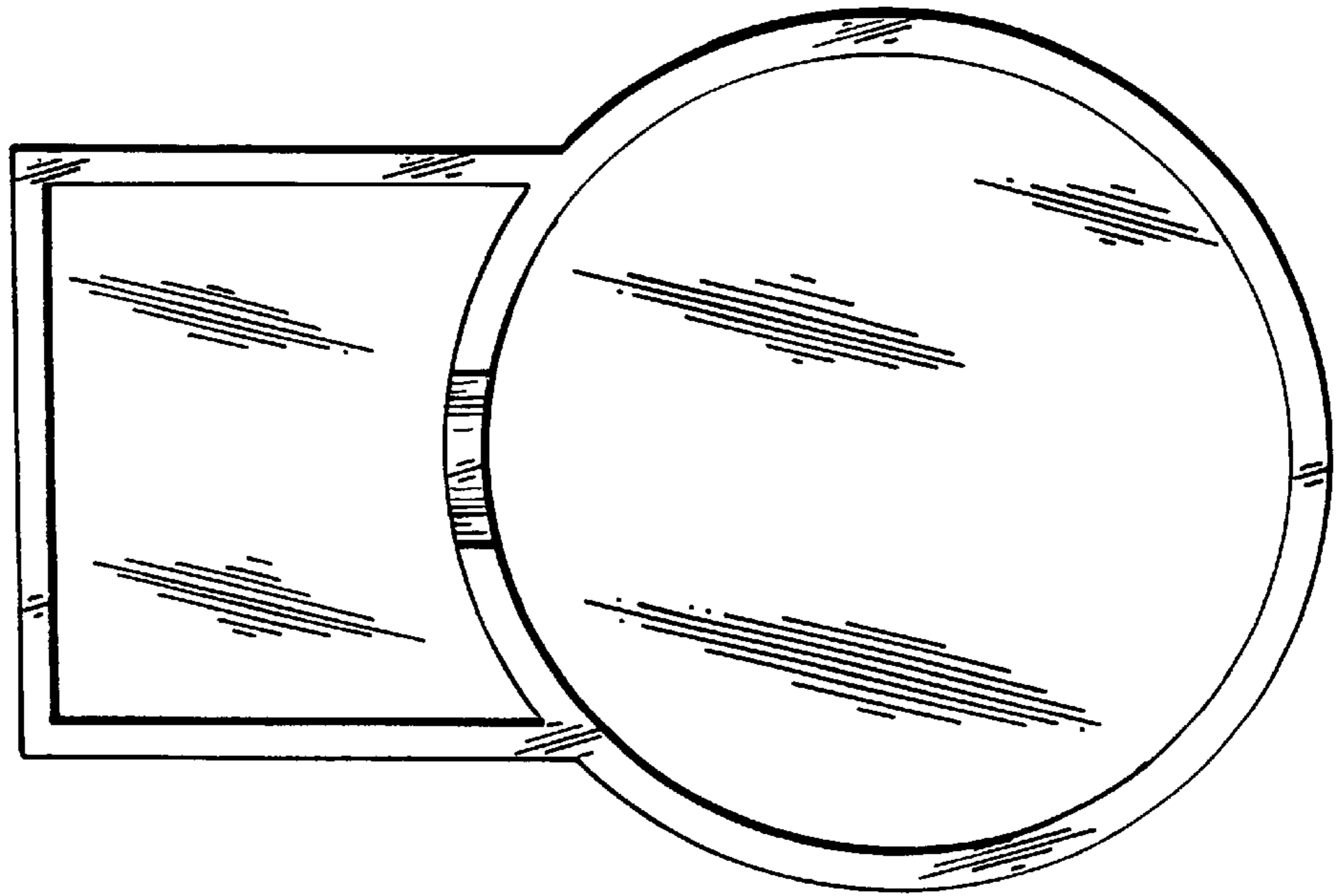
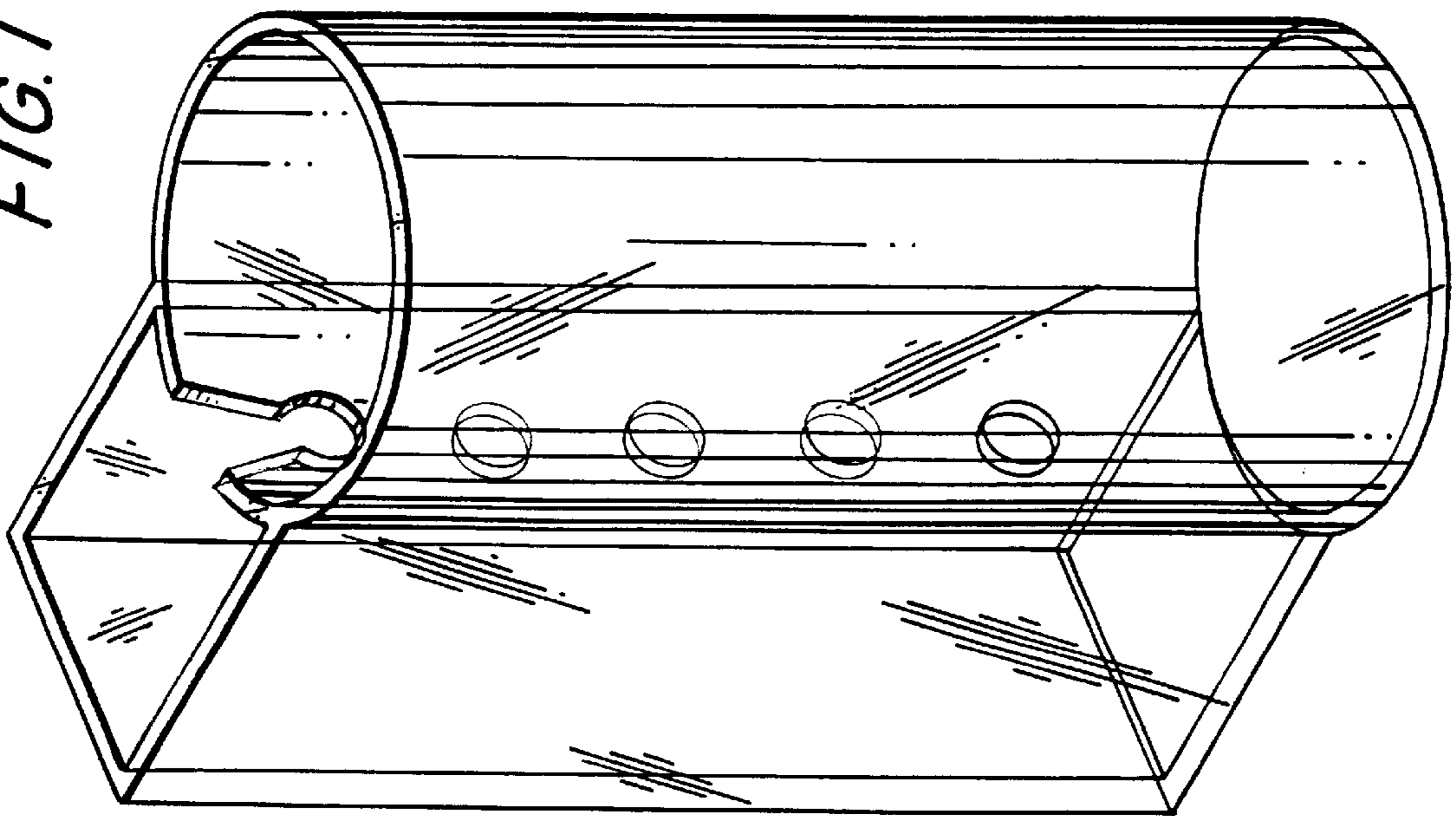


FIG. 1



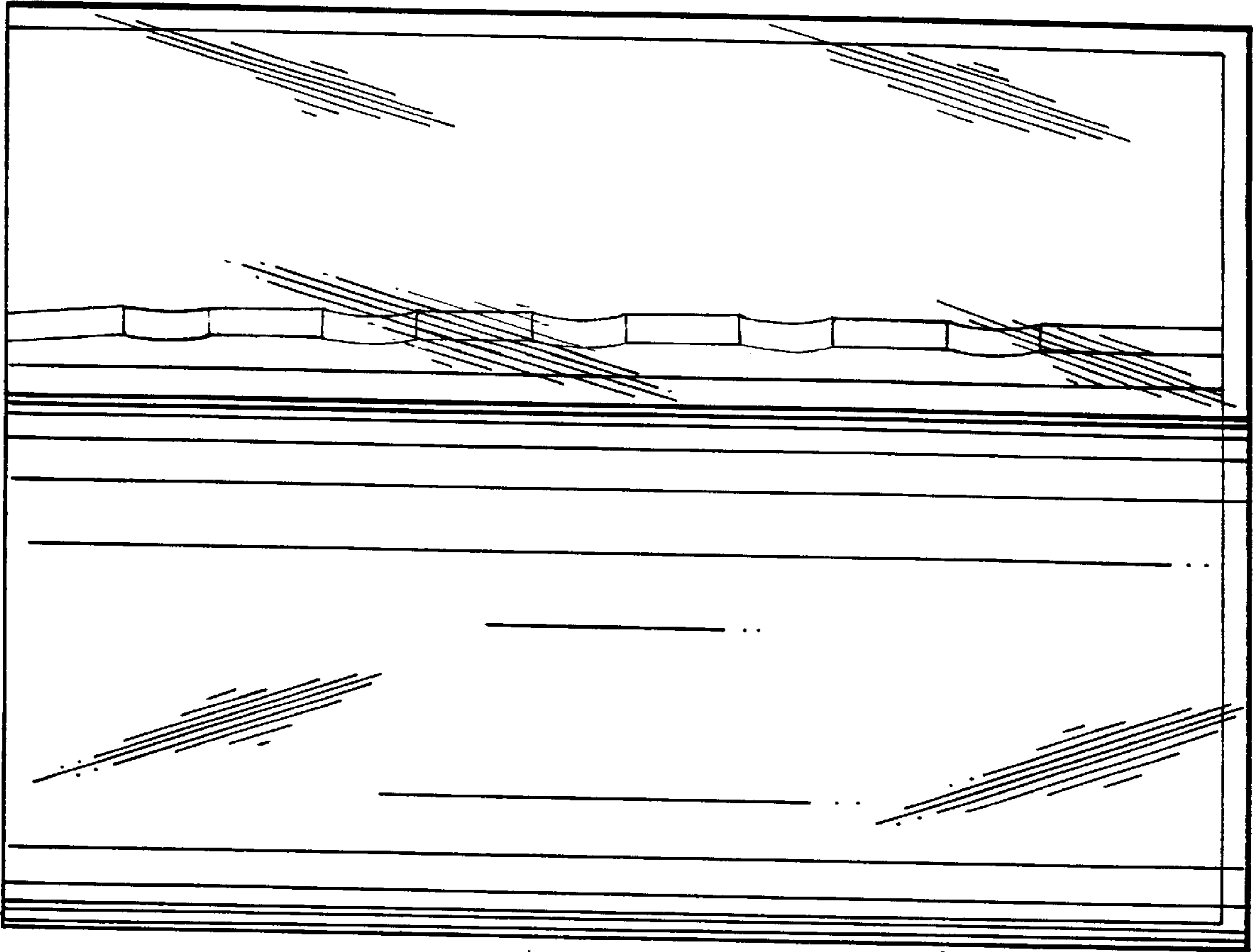


FIG. 3

FIG. 4

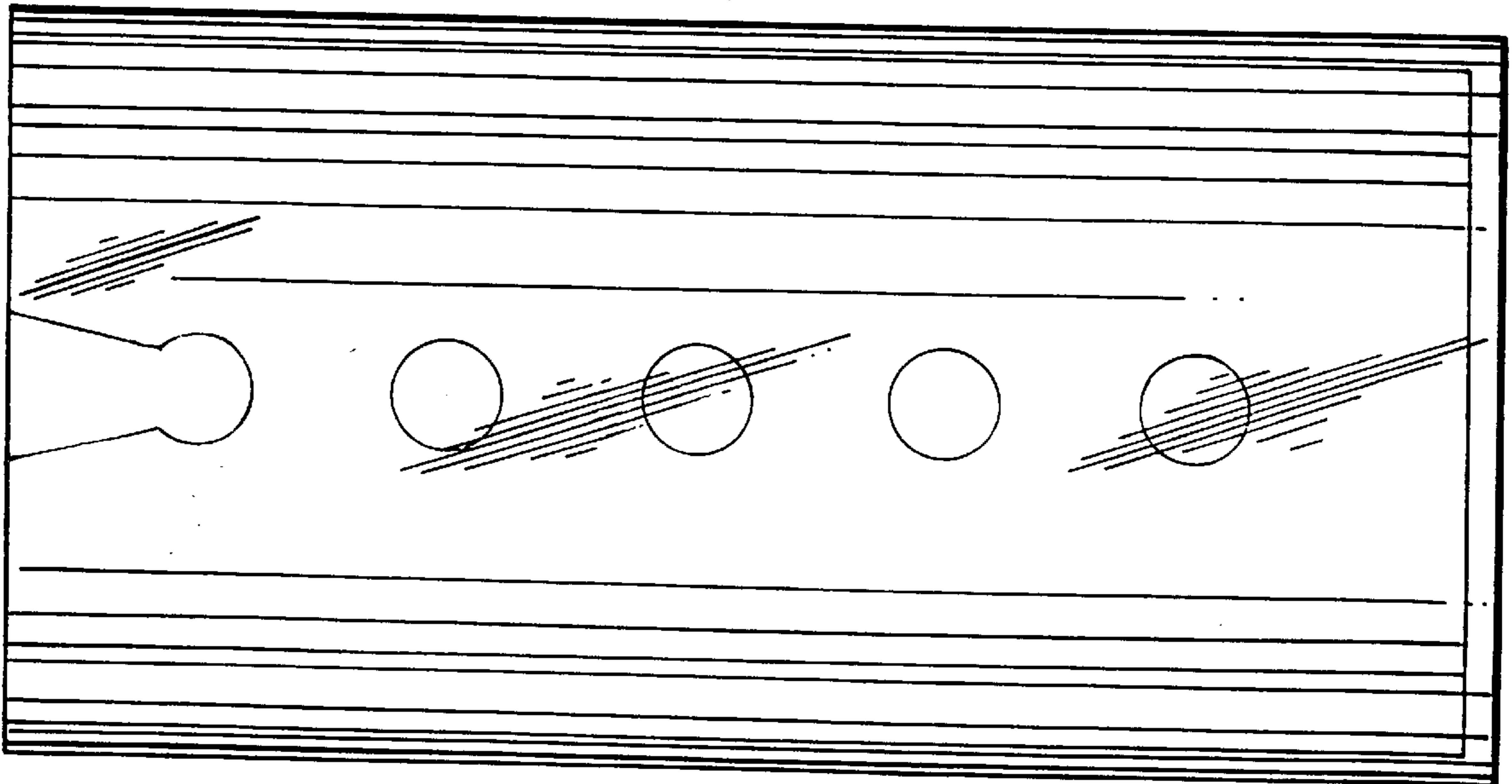


FIG. 5

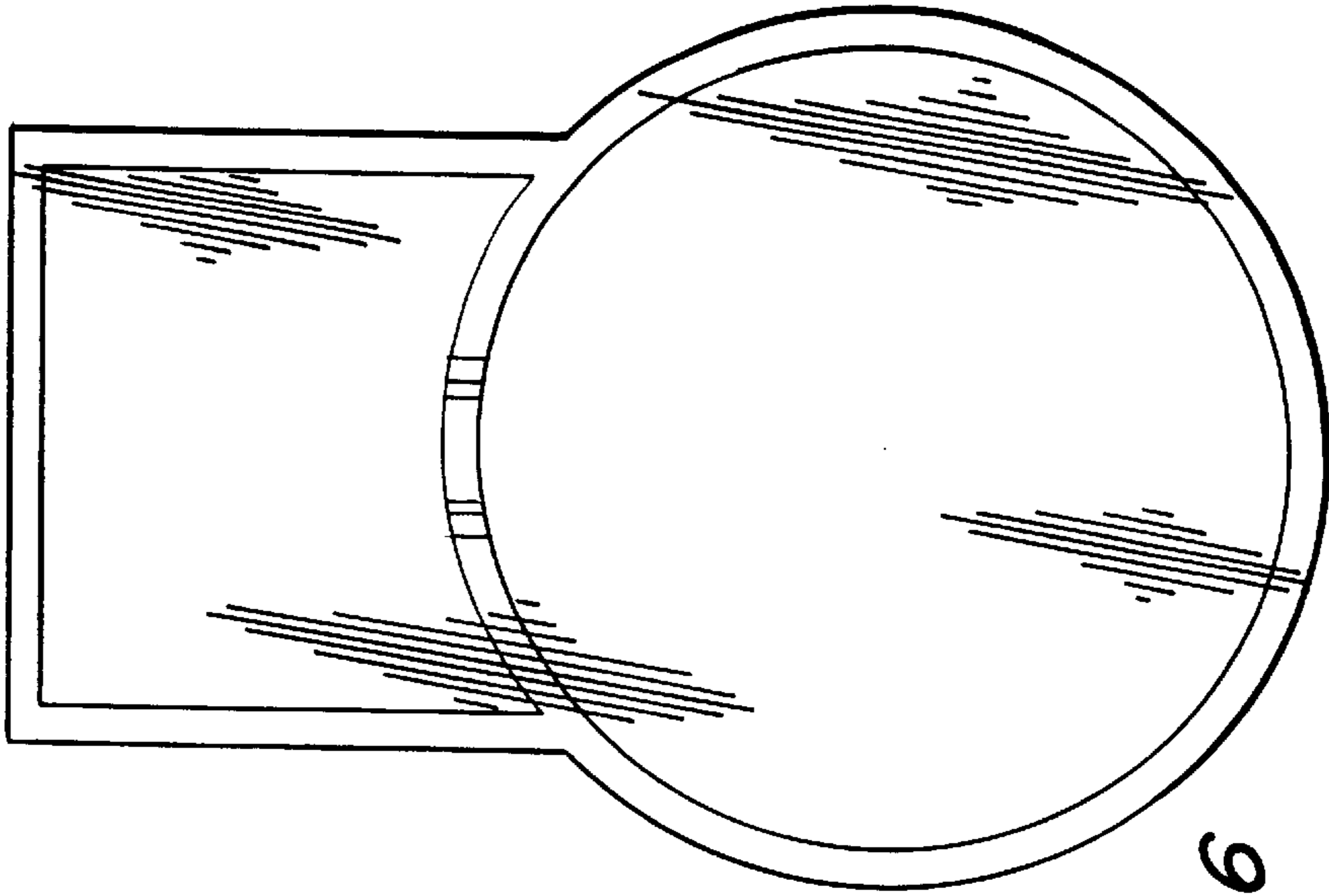
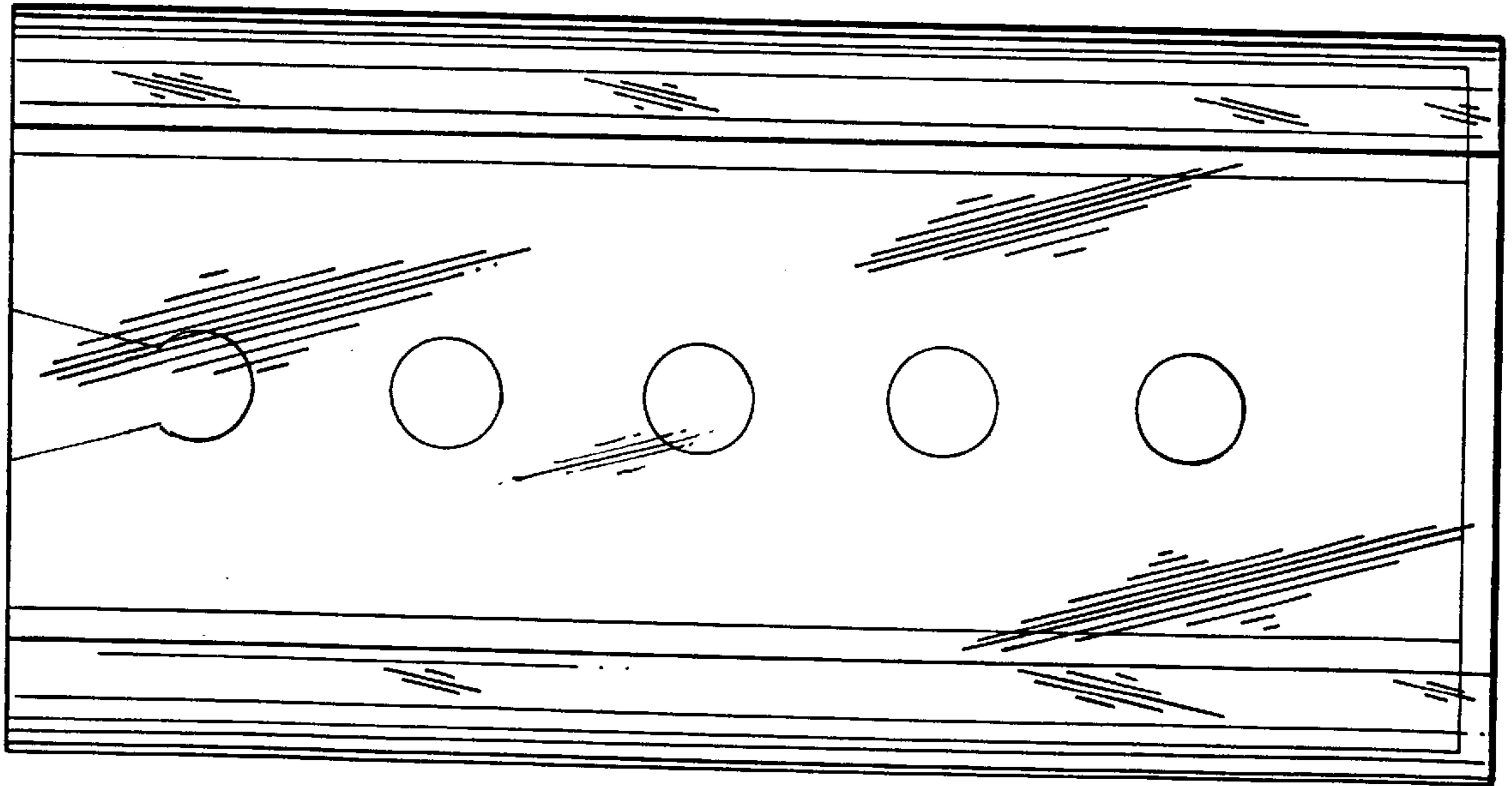


FIG. 6