



US00D455046S

(12) **United States Design Patent**  
**Hwang**

(10) **Patent No.:** **US D455,046 S**

(45) **Date of Patent:** **\*\* Apr. 2, 2002**

(54) **DOOR FRAME FOR A MICROWAVE OVEN**

(75) Inventor: **Sue Yeon Hwang**, Seoul (KR)

(73) Assignee: **LG Electronics Inc.**, Seoul (KR)

(\*\*) Term: **14 Years**

(21) Appl. No.: **29/143,951**

(22) Filed: **Jun. 25, 2001**

(30) **Foreign Application Priority Data**

Dec. 27, 2000 (KR) ..... 2000/33340

(51) **LOC (7) Cl.** ..... **07-02**

(52) **U.S. Cl.** ..... **D7/405**

(58) **Field of Search** ..... D7/350.1, 350.2,  
D7/350.3, 350.4, 351, 402, 405-406, 332,  
337, 354, 361-362, 365-367; D3/276; 126/273 A,  
275 R, 275 E, 19 M, 21 R; 219/678, 756-758;  
99/DIG. 14, 421 R, 340-341, 350, 421 H,  
448; 40/700, 768, 765; 294/142; D6/300

(56) **References Cited**

**U.S. PATENT DOCUMENTS**

- D371,041 S \* 6/1996 Matoba et al. .... D7/351
- D393,179 S \* 4/1998 Baldwin ..... D7/405
- D412,807 S \* 8/1999 Noda et al. .... D7/351

- D415,926 S \* 11/1999 De'Longhi ..... D7/350
- D429,945 S \* 8/2000 Noda et al. .... D7/351
- D436,493 S \* 1/2001 Ozaki ..... D7/351
- D442,424 S \* 5/2001 Naganuma ..... D7/351

\* cited by examiner

*Primary Examiner*—Ruth McInroy

(74) *Attorney, Agent, or Firm*—Birch, Stewart, Kolasch & Birch LLP

(57) **CLAIM**

The ornamental design for a door frame for a microwave oven, as shown and described.

**DESCRIPTION**

FIG. 1 is a perspective view of a door frame for a microwave oven showing my new design;  
 FIG. 2 is a front view thereof;  
 FIG. 3 is a rear elevational view thereof;  
 FIG. 4 is a left-side elevational view thereof;  
 FIG. 5 is a right-side elevational view thereof;  
 FIG. 6 is a top plan view thereof;  
 FIG. 7 is a bottom plan view thereof; and,  
 FIG. 8 is a front elevational view thereof, the control panel shown in broken lines for illustrative purposes only and forms no part of the claimed design.

**1 Claim, 5 Drawing Sheets**

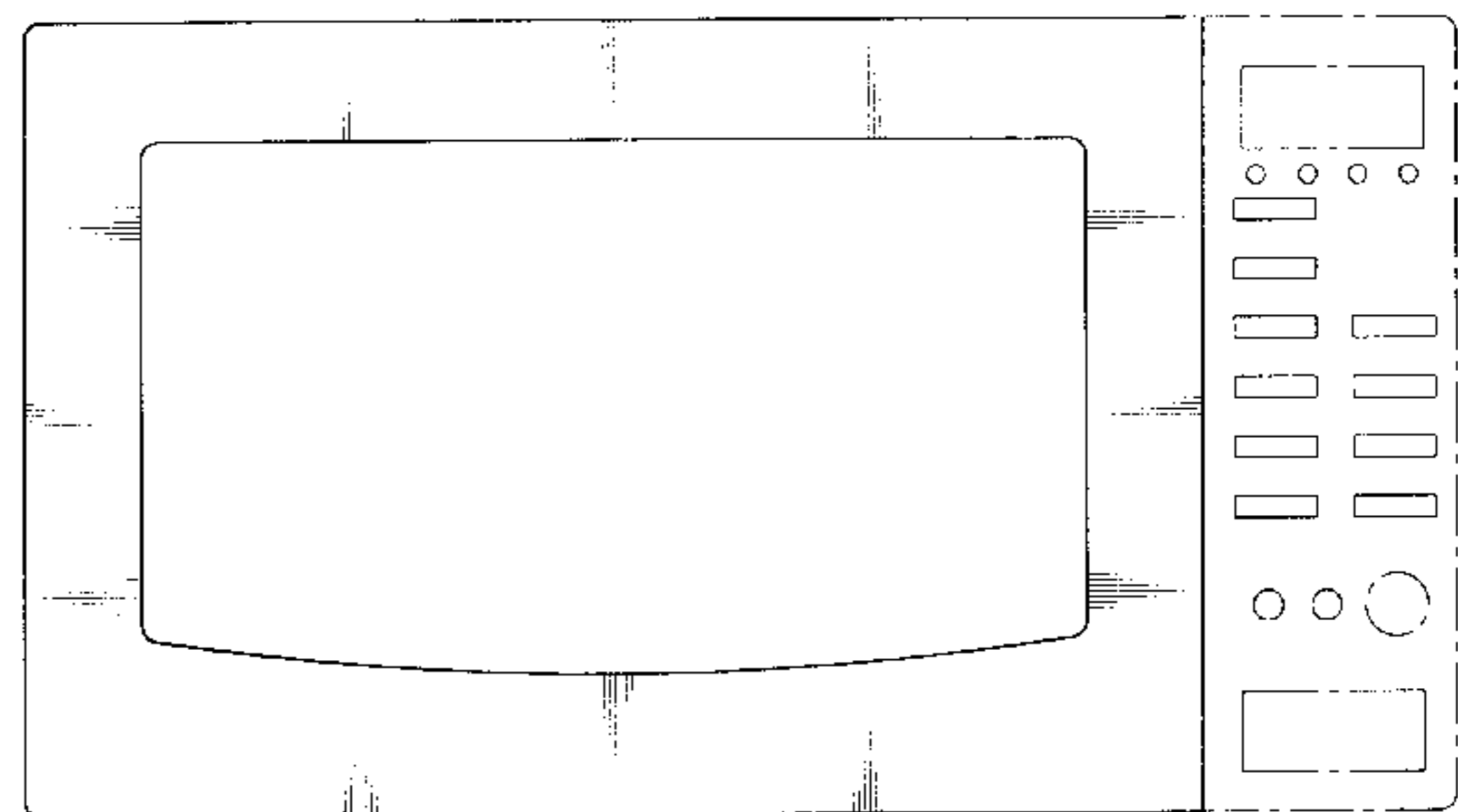
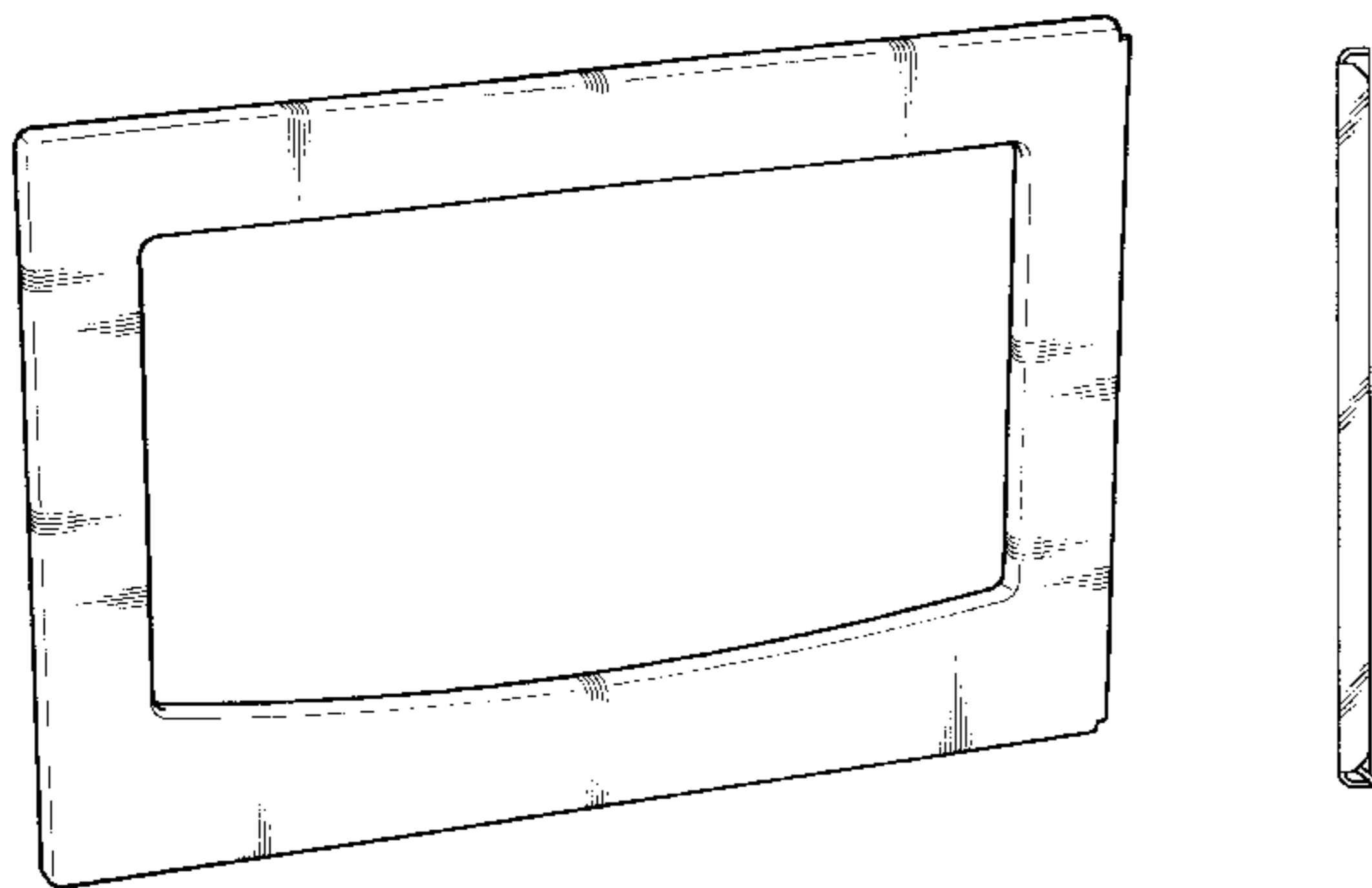


FIG. 1

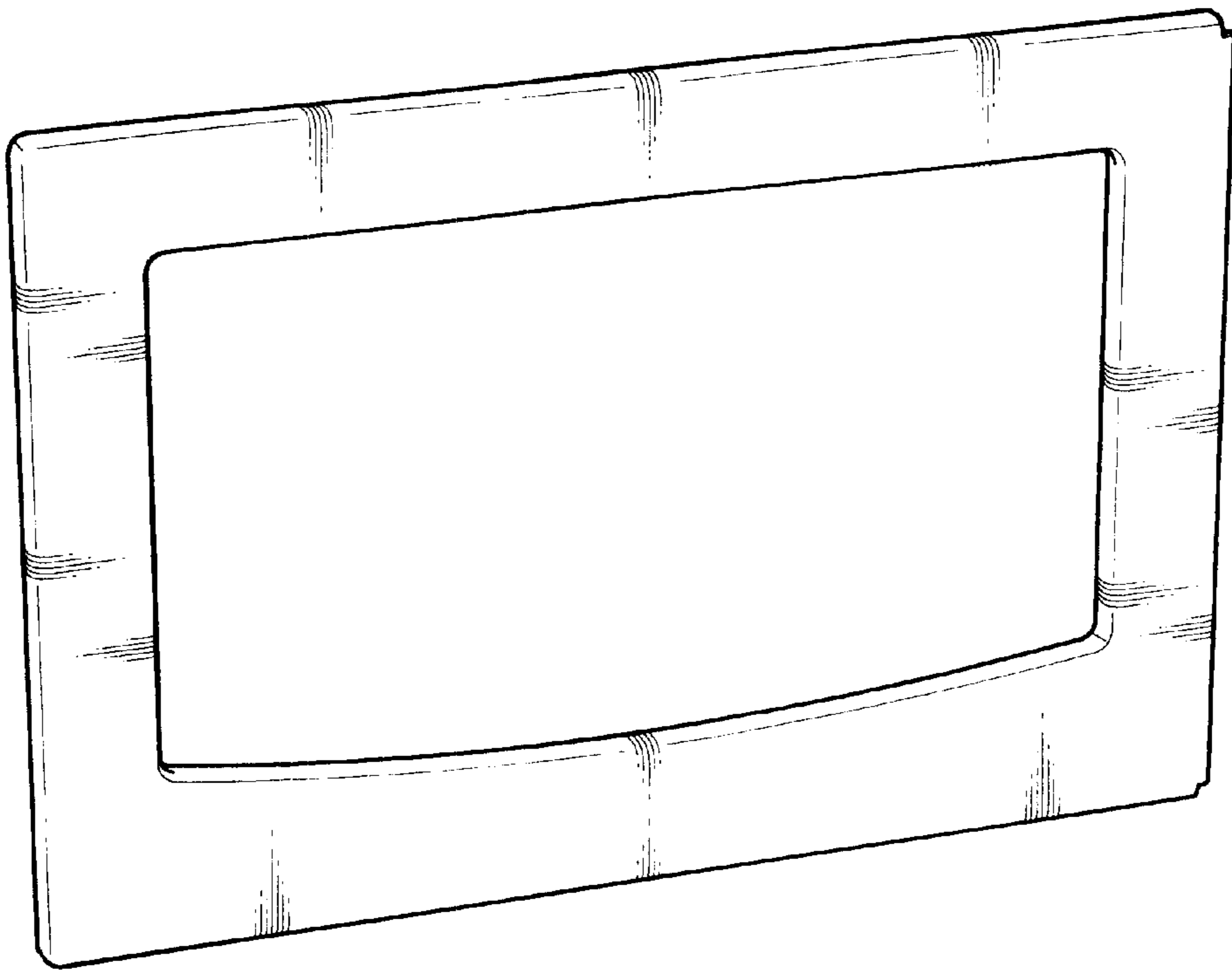


FIG. 2

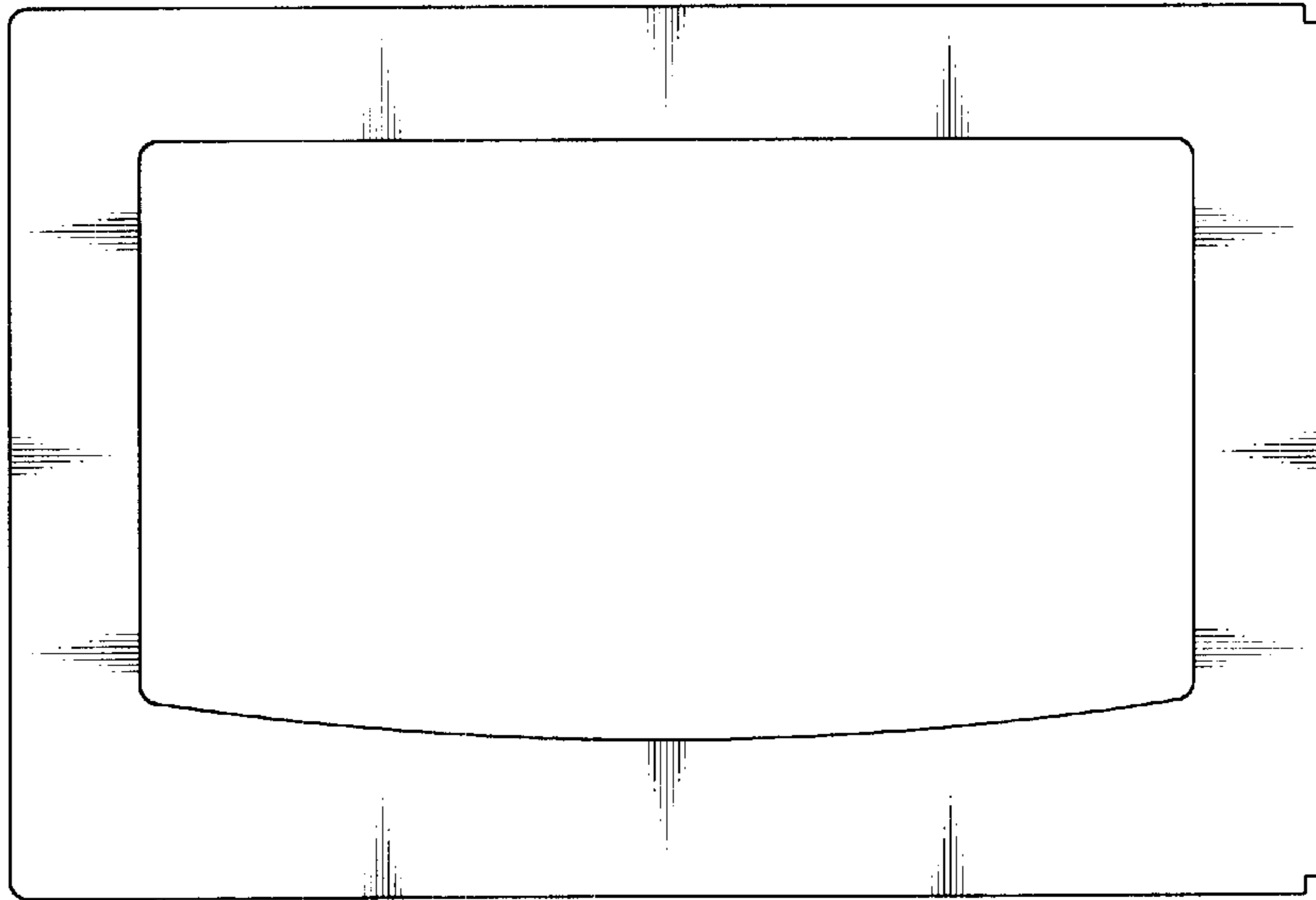


FIG. 3

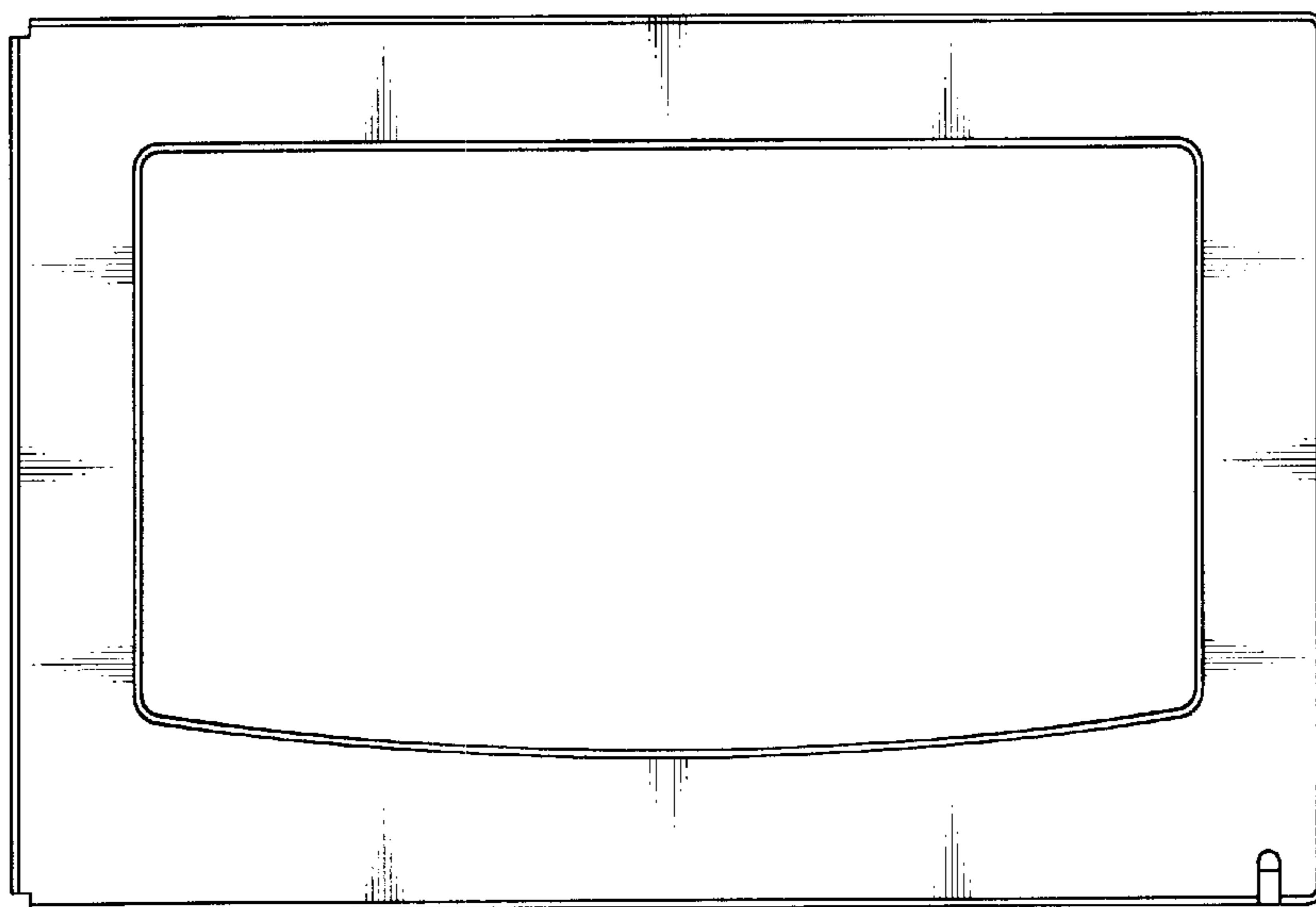


FIG. 4



FIG. 5



FIG. 6



FIG. 7



FIG. 8

