



US00D455045S

(12) **United States Design Patent**  
**Liao**

(10) **Patent No.:** **US D455,045 S**

(45) **Date of Patent:** **\*\* Apr. 2, 2002**

(54) **GRILLED MEAT STOVE**

(76) Inventor: **Tsung-Ming Liao**, 2-8 North South  
One Rd., Tah Cha Township, Taichung  
Hsien (TW)

(\*\*) Term: **14 Years**

(21) Appl. No.: **29/136,520**

(22) Filed: **Feb. 2, 2001**

(51) **LOC (7) Cl.** ..... **07-02**

(52) **U.S. Cl.** ..... **D7/402**

(58) **Field of Search** ..... D7/332, 334, 335,  
D7/336, 337, 402, 409; 126/25 R, 25 A,  
25 AA, 41 R, 29-30, 9 R, 9 B, 4, 6, 506,  
519; D23/343, 348, 350, 317, 332, 334-336,  
338-339; 99/443, 450, 421 R

(56) **References Cited**

**U.S. PATENT DOCUMENTS**

- D373,701 S \* 9/1996 Moore ..... D7/334
- D406,488 S \* 3/1999 Bates et al. .... D7/334
- D406,489 S \* 3/1999 Williams et al. .... D7/334
- 5,960,783 A \* 10/1999 Schubert et al. .... 126/41 R
- D416,164 S \* 11/1999 Wagner et al. .... D7/334
- D426,101 S \* 6/2000 Pai ..... D7/334

- D437,177 S \* 2/2001 Giebel et al. .... D7/334
- 6,257,229 B1 \* 7/2001 Stewart et al. .... 126/276

\* cited by examiner

*Primary Examiner*—Ruth McInroy

(74) *Attorney, Agent, or Firm*—Harrison & Egbert

(57) **CLAIM**

I claim the ornamental design for a grilled meat stove, as shown and described.

**DESCRIPTION**

FIG. 1 is an upper perspective view of a grilled meat stove showing my design.

FIG. 2 is a front view thereof;

FIG. 3 is a back view thereof;

FIG. 4 is a side view thereof;

FIG. 5 is an opposite side view thereof;

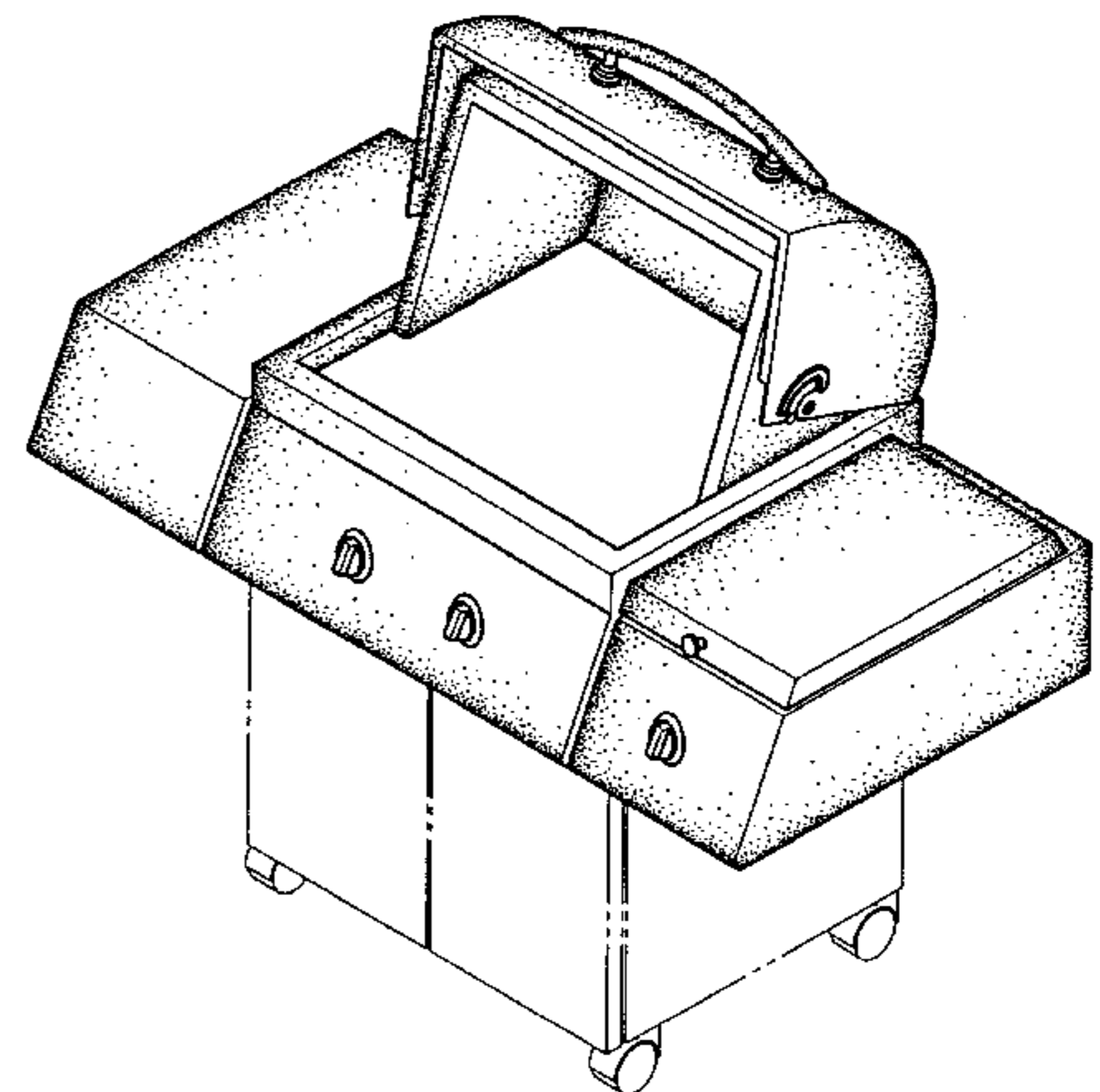
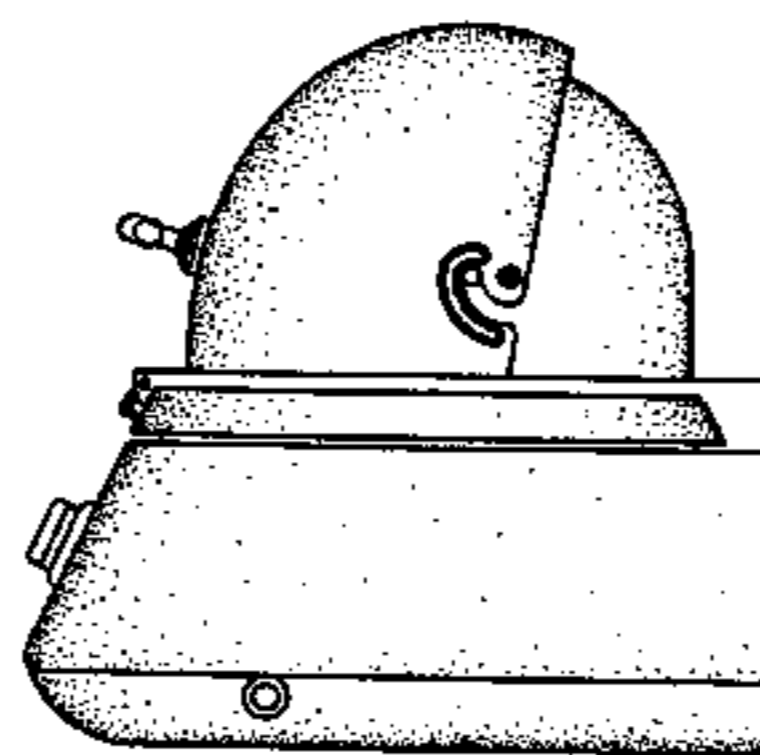
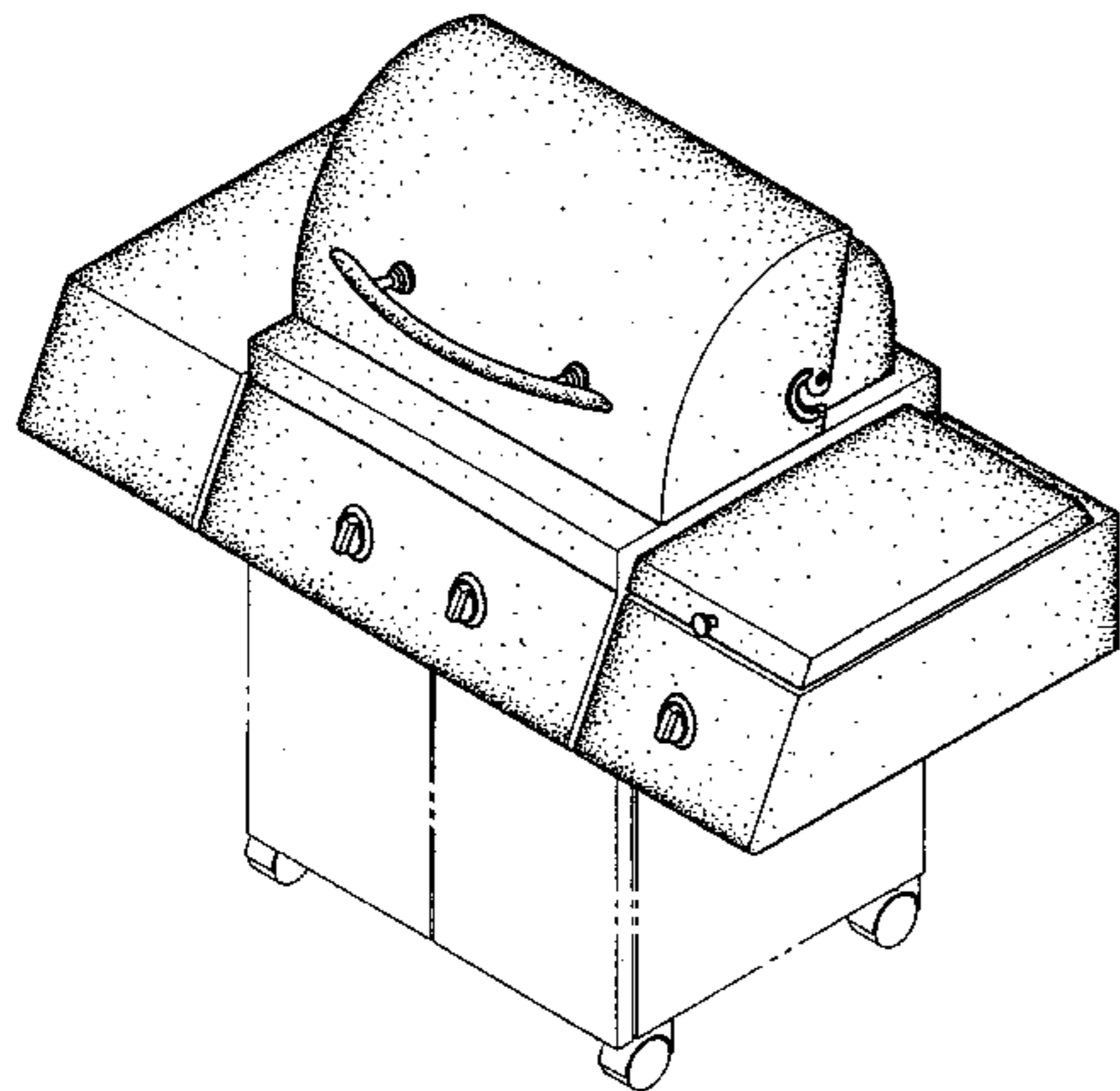
FIG. 6 is a top view thereof;

FIG. 7 is a bottom view thereof; and,

FIG. 8 is an upper perspective view thereof with the lid open.

The broken line details in FIGS. 1 and 8 are shown for illustrative purposes only and form no part of the claimed design.

**1 Claim, 5 Drawing Sheets**



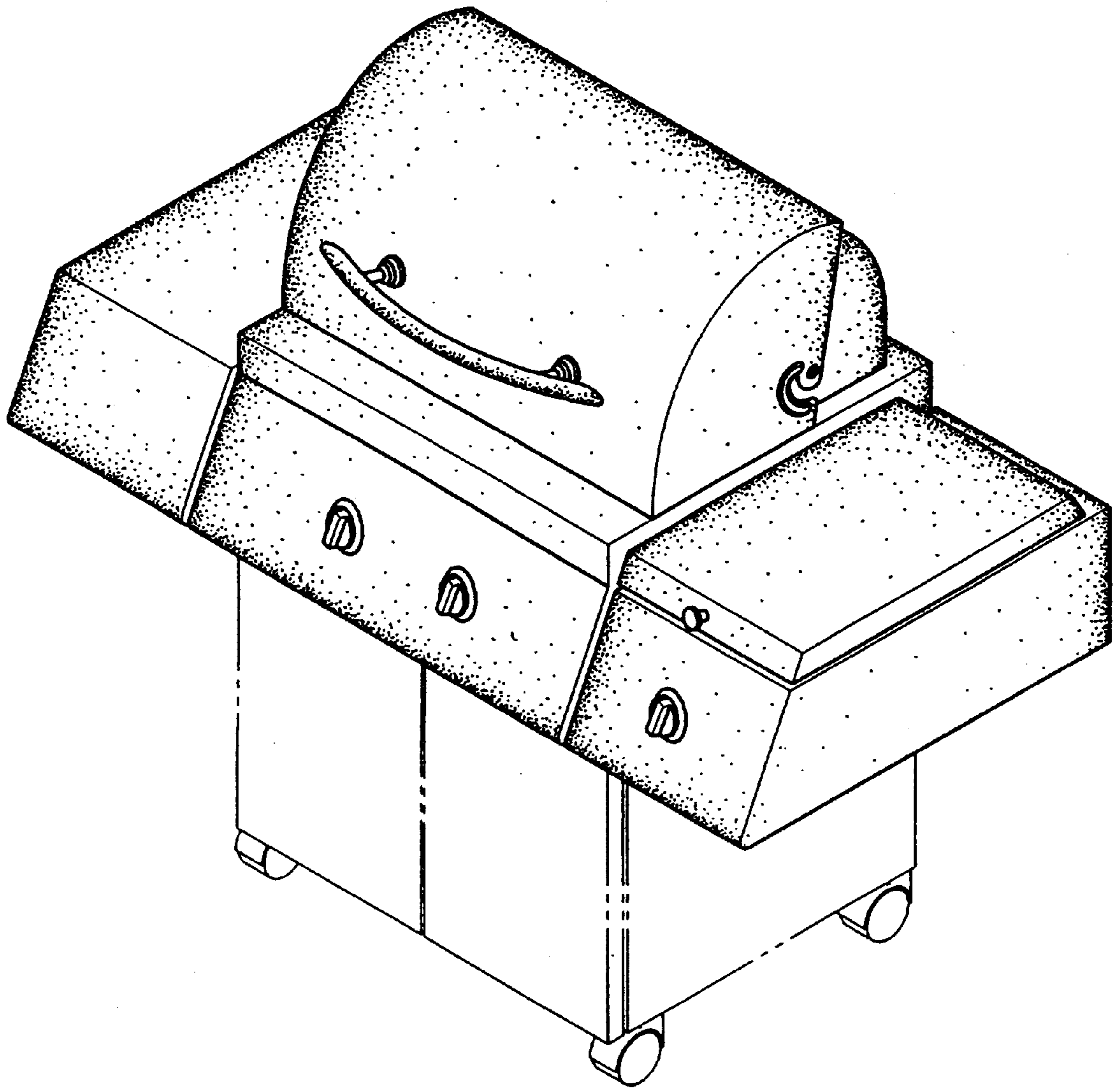


FIG. 1

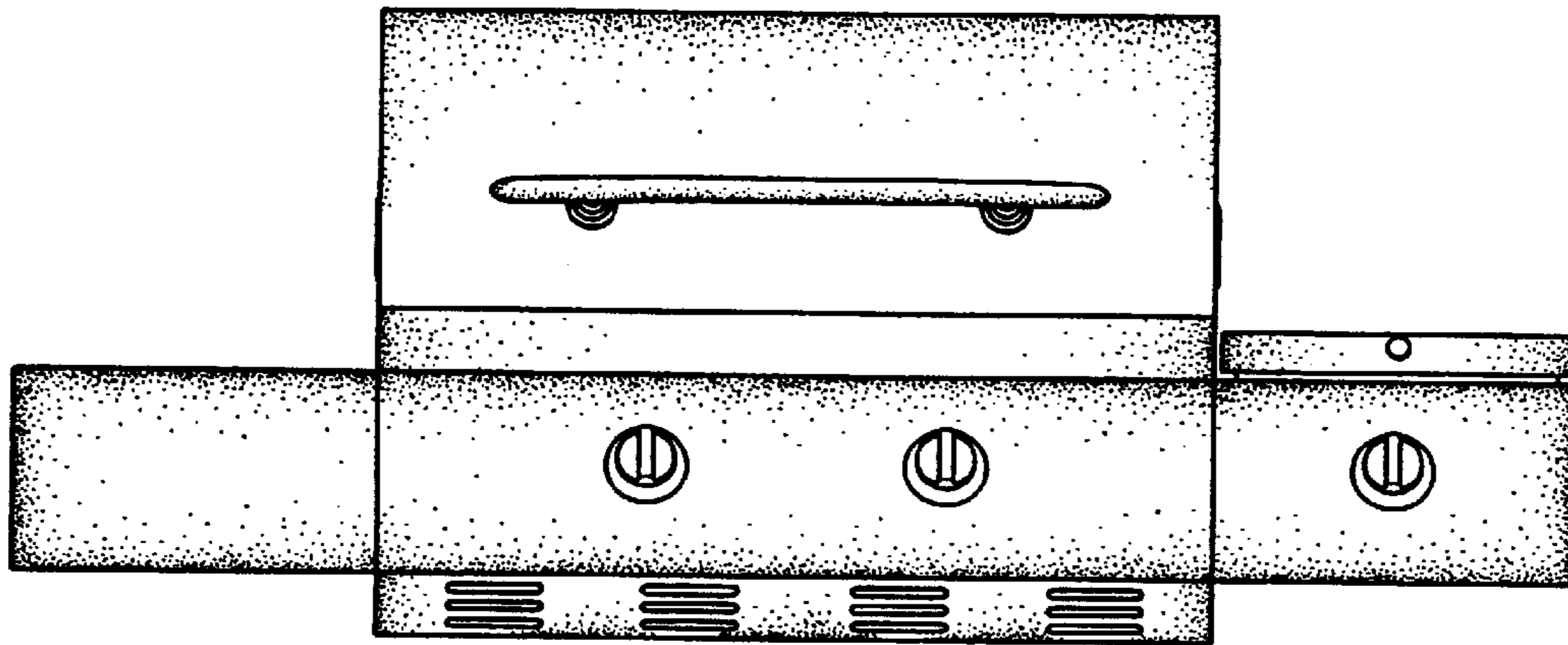


FIG. 2

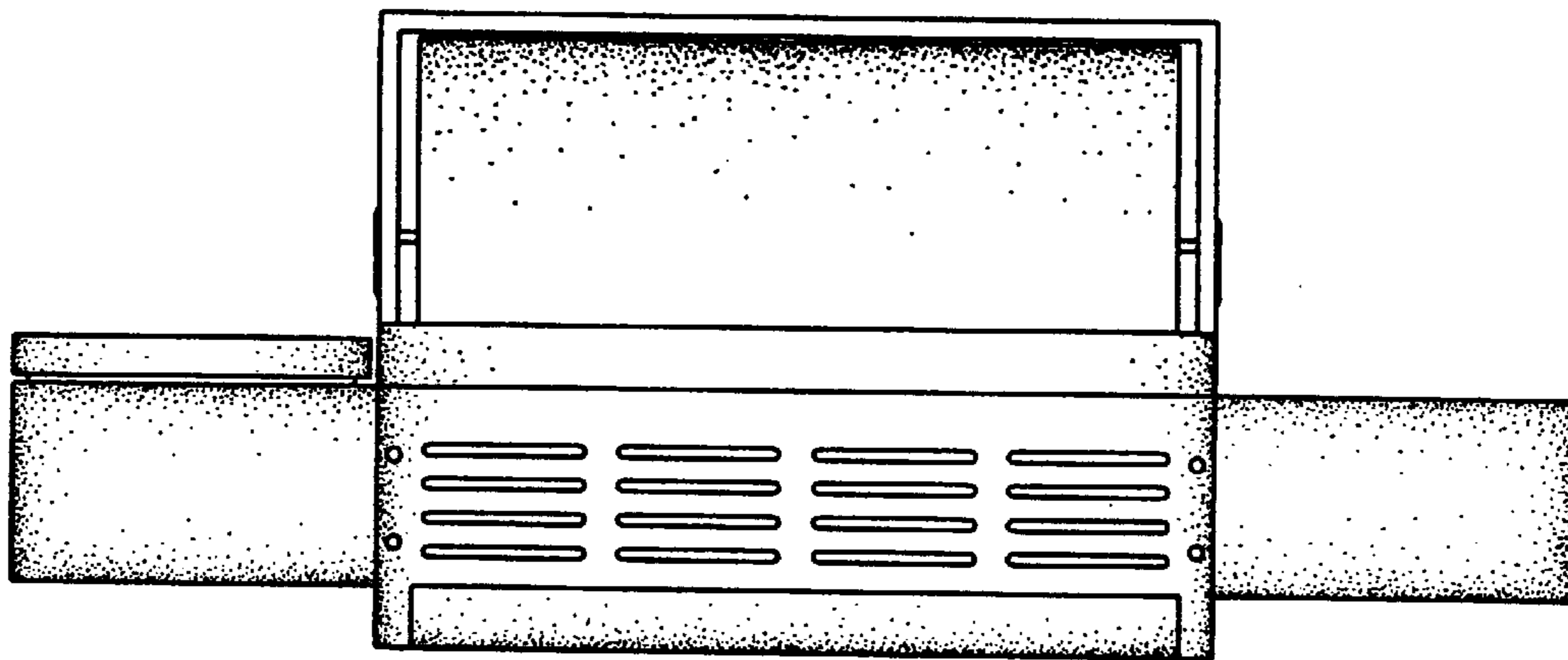


FIG. 3

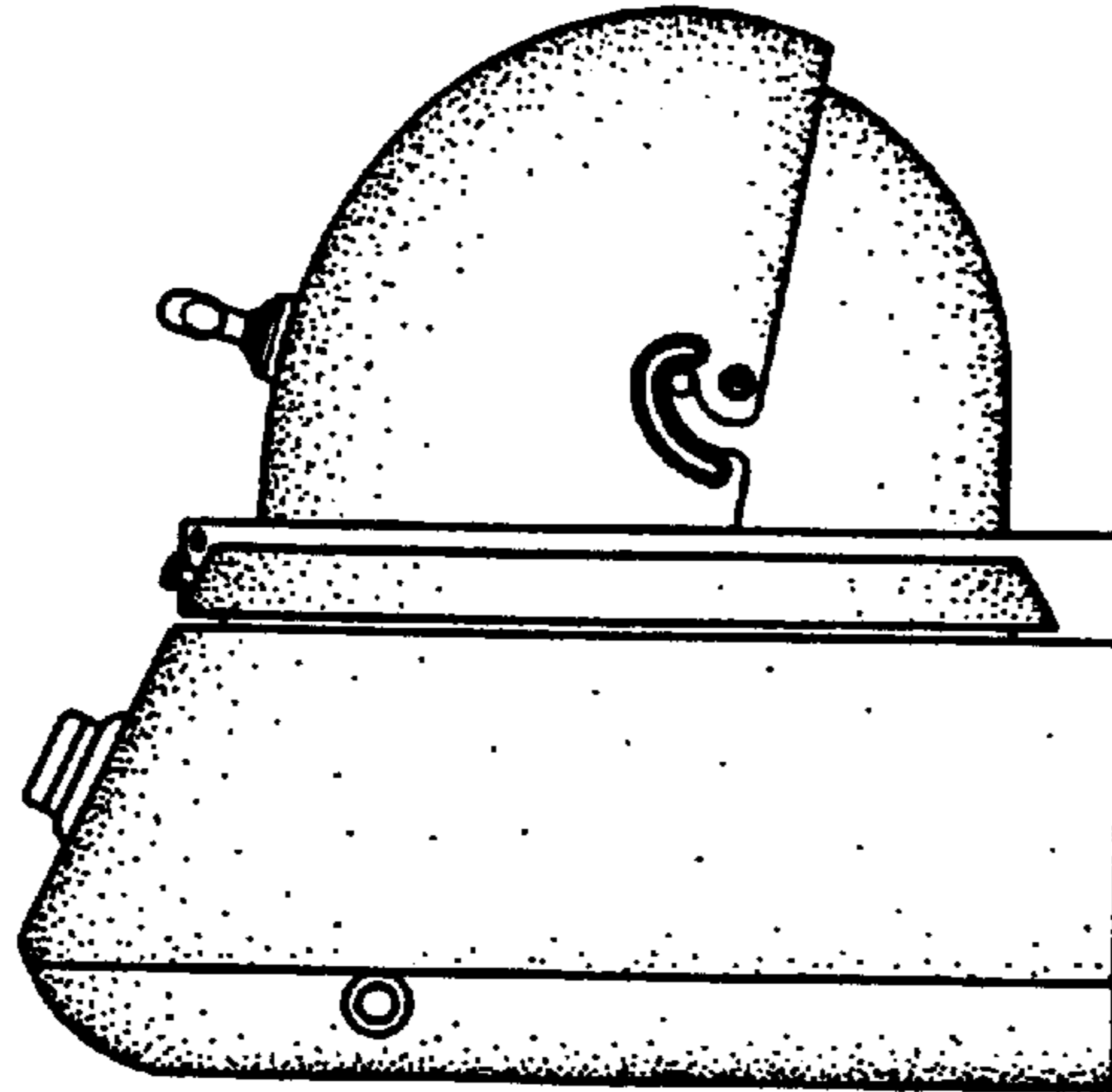


FIG. 4

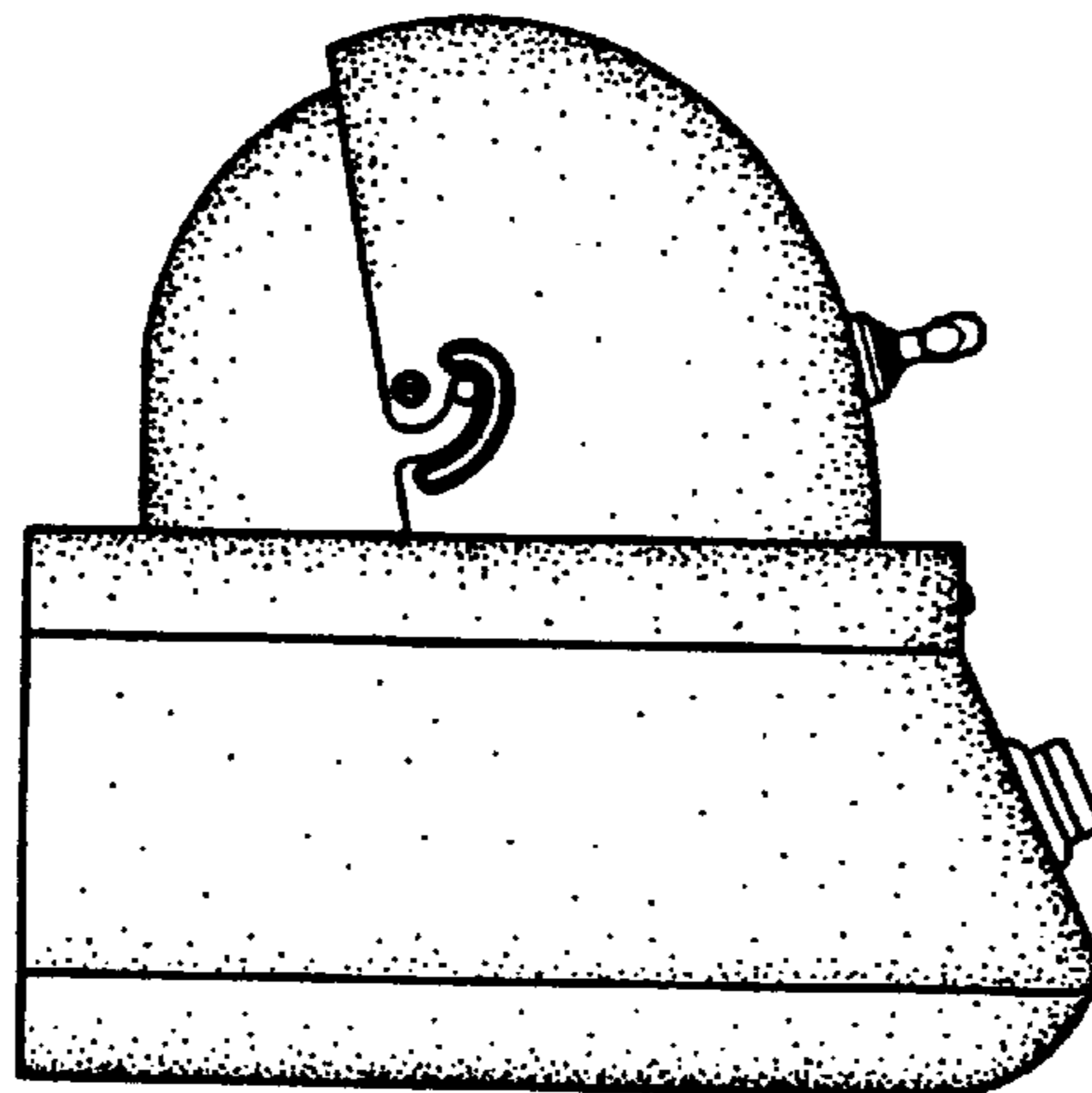


FIG. 5

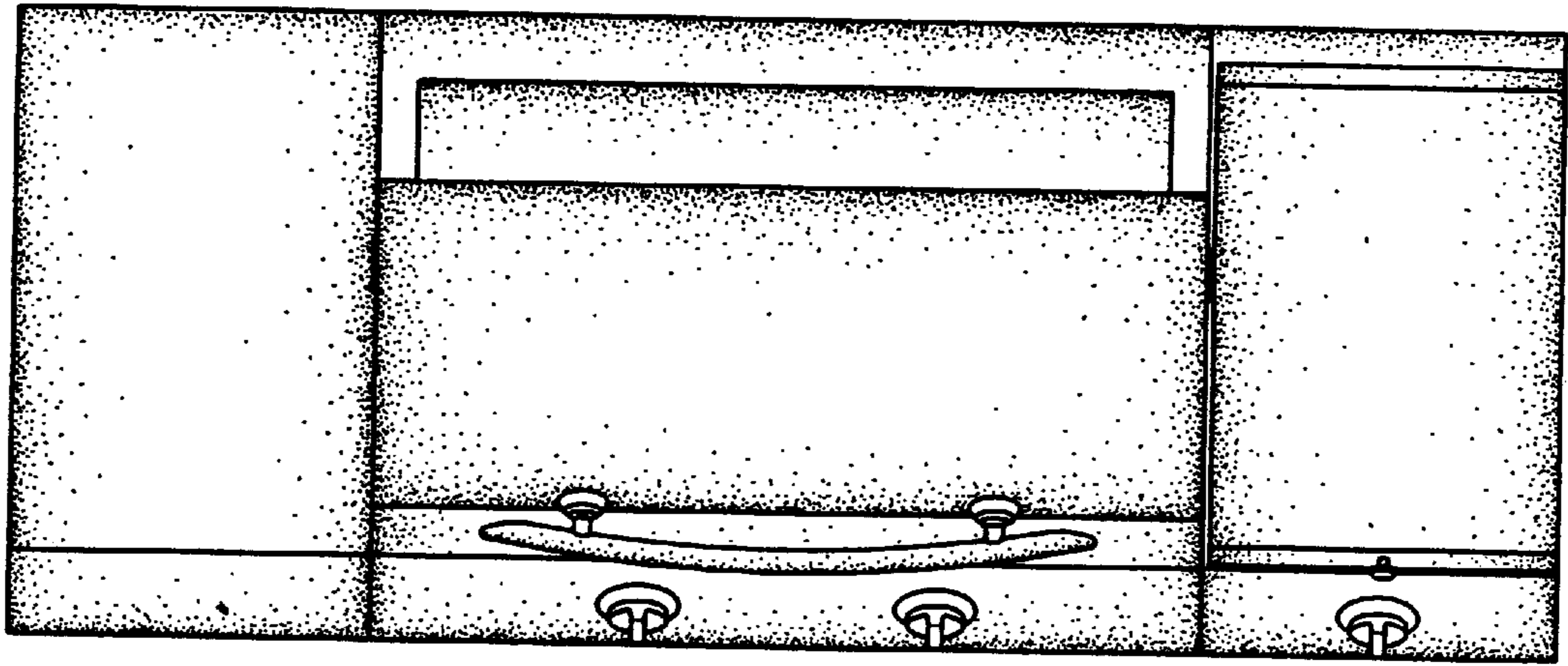


FIG. 6

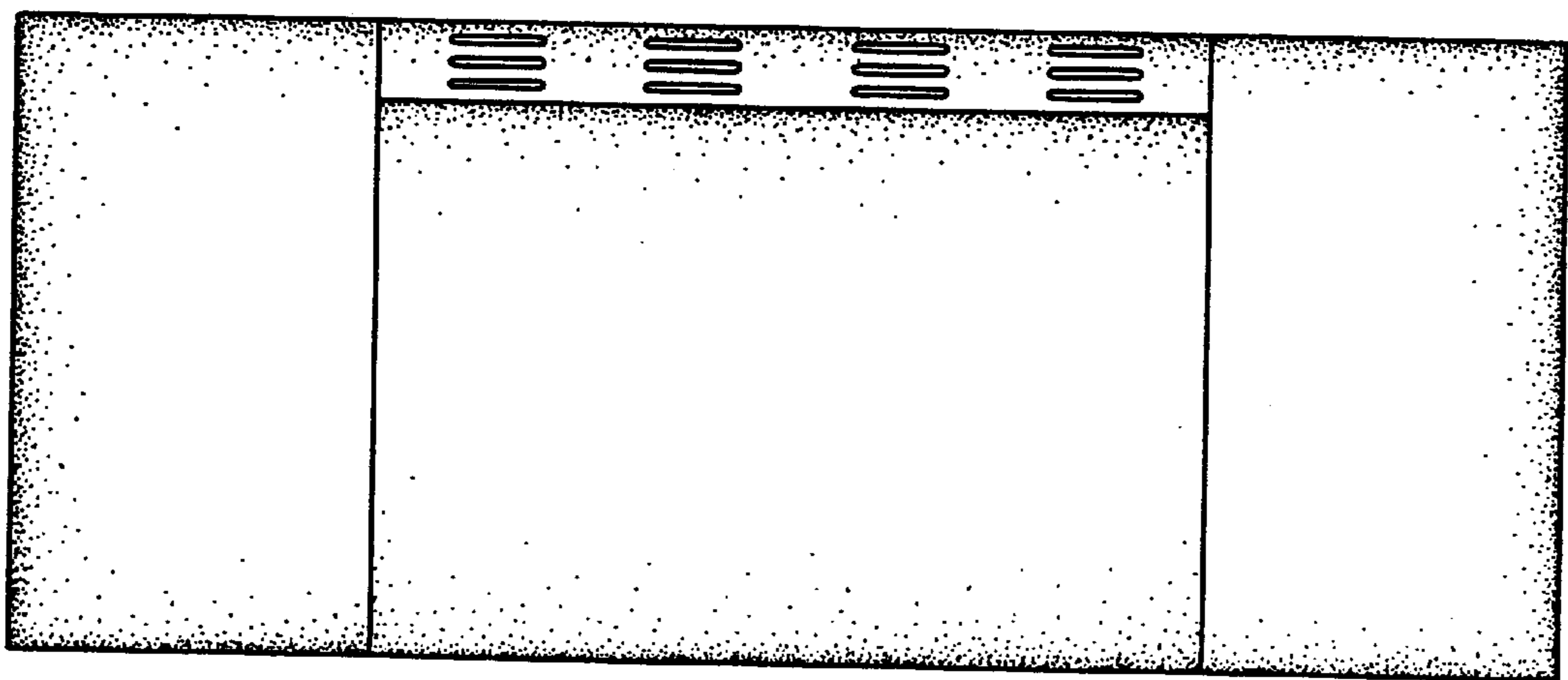


FIG. 7

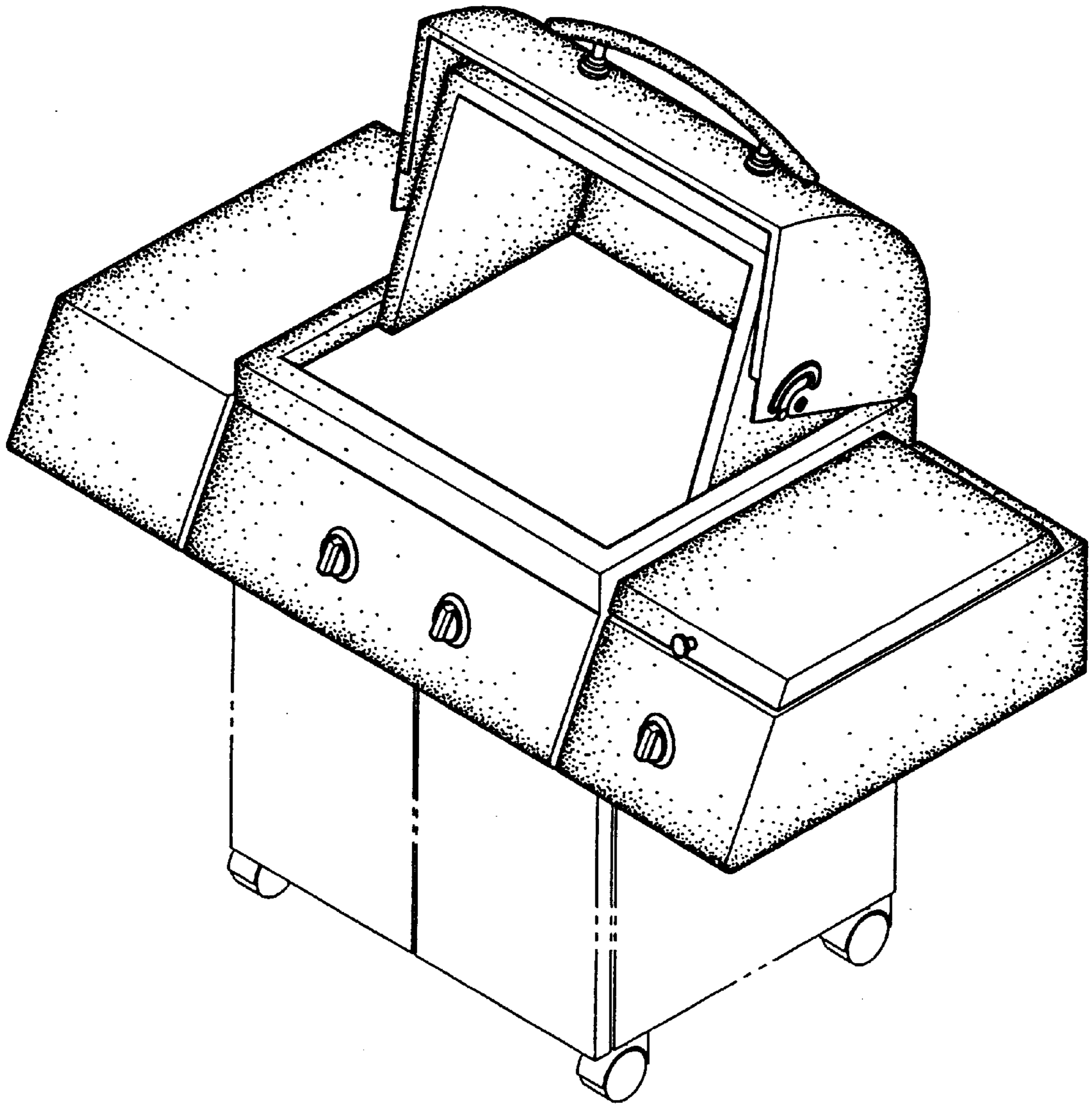


FIG. 8