



US00D455044S

(12) **United States Design Patent**  
**Nybakke**

(10) **Patent No.:** **US D455,044 S**

(45) **Date of Patent:** **\*\* Apr. 2, 2002**

(54) **BEVERAGE SERVER**

(75) Inventor: **Keith G. Nybakke**, Minneapolis, MN  
(US)

(73) Assignee: **Service Ideas, Inc.**, Woodbury, MN  
(US)

(\*\*) Term: **14 Years**

(21) Appl. No.: **29/136,213**

(22) Filed: **Jan. 26, 2001**

**Related U.S. Application Data**

(63) Continuation-in-part of application No. 09/311,440, filed on  
May 14, 1999, now Pat. No. 6,234,364.

(51) **LOC (7) Cl.** ..... **07-99**

(52) **U.S. Cl.** ..... **D7/397; D7/317; D7/318**

(58) **Field of Search** ..... **D7/397, 398, 300,**  
**D7/316, 317, 318, 312, 321; 222/469, 470,**  
**475.1, 516, 465.1, 555, 156, 505; 220/254,**  
**300; 99/280, 307**

(56) **References Cited**

**U.S. PATENT DOCUMENTS**

- 3,321,115 A \* 5/1967 Rendahl ..... 222/505
- D285,160 S \* 8/1986 Osit ..... D7/317
- D287,807 S \* 1/1987 Wilson ..... D7/317
- 4,825,759 A \* 5/1989 Grome et al. .... 99/307
- D307,857 S \* 5/1990 Grome et al. .... D7/317
- 4,930,687 A \* 6/1990 Brindopke et al. .... 222/475.1
- D362,582 S \* 9/1995 Wilson et al. .... D7/319

- 5,497,917 A \* 3/1996 Krimmel et al. .... 222/475.1
- 5,653,362 A \* 8/1997 Patel ..... 222/156
- D427,478 S \* 7/2000 Littmann et al. .... D7/318
- D445,628 S \* 7/2001 McGroary ..... D7/318

\* cited by examiner

*Primary Examiner*—M. N. Pandozzi

(74) *Attorney, Agent, or Firm*—Moore & Hansen

(57) **CLAIM**

The ornamental design for a beverage server, as shown and described.

**DESCRIPTION**

FIG. 1 is a side elevation of the beverage server of the present invention;

FIG. 2 is a front elevation of the beverage server looking into the spout of the beverage server;

FIG. 3 is a rear elevation of the beverage server showing the rear of the beverage server's handle;

FIG. 4 is a plan view of the beverage server showing the top of the beverage server and its cover;

FIG. 5 is a bottom view of the beverage server;

FIG. 6 is a side elevation of the beverage server in an alternate environment;

FIG. 7 is a front elevational view thereof;

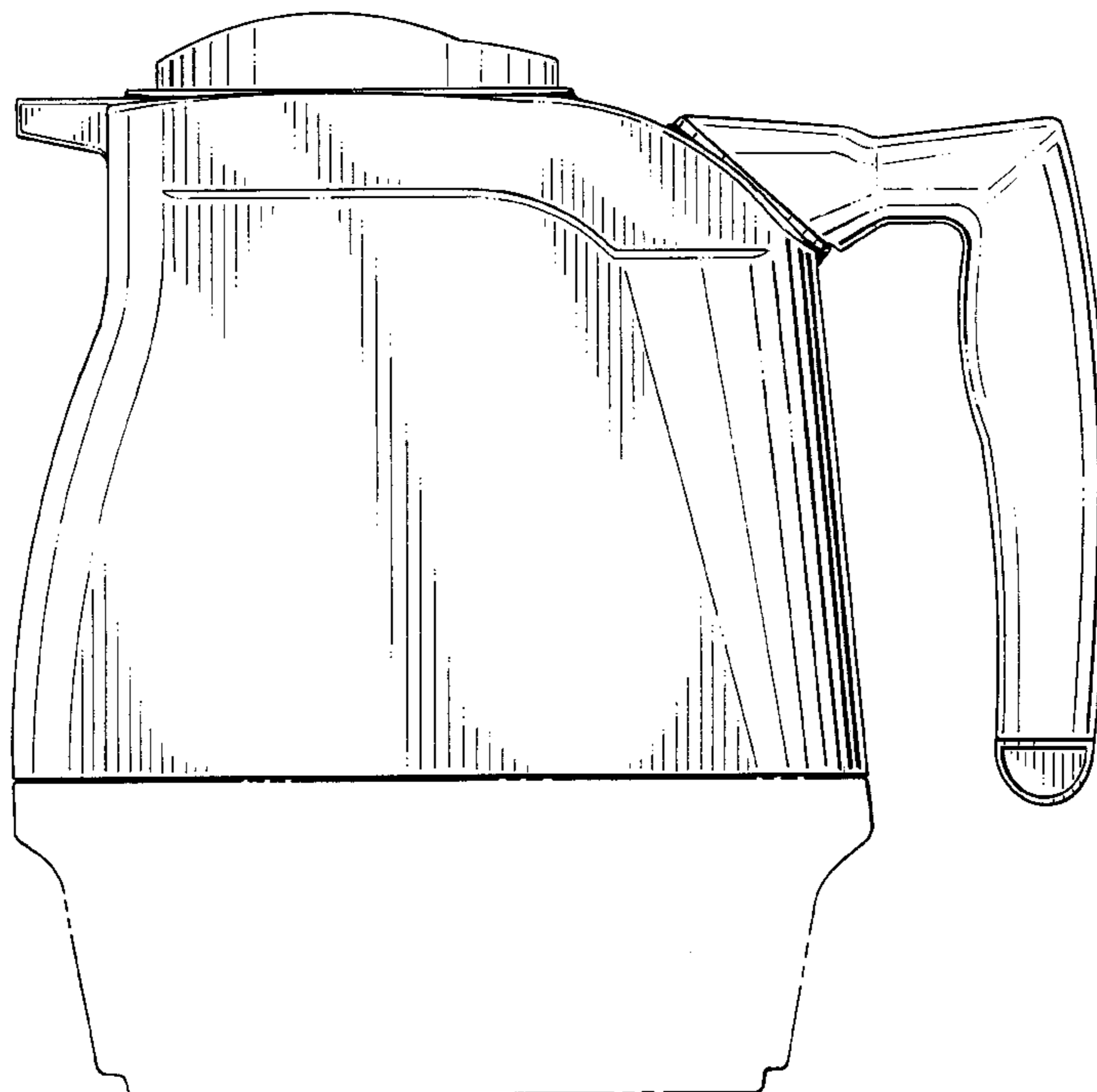
FIG. 8 is a rear elevational view thereof;

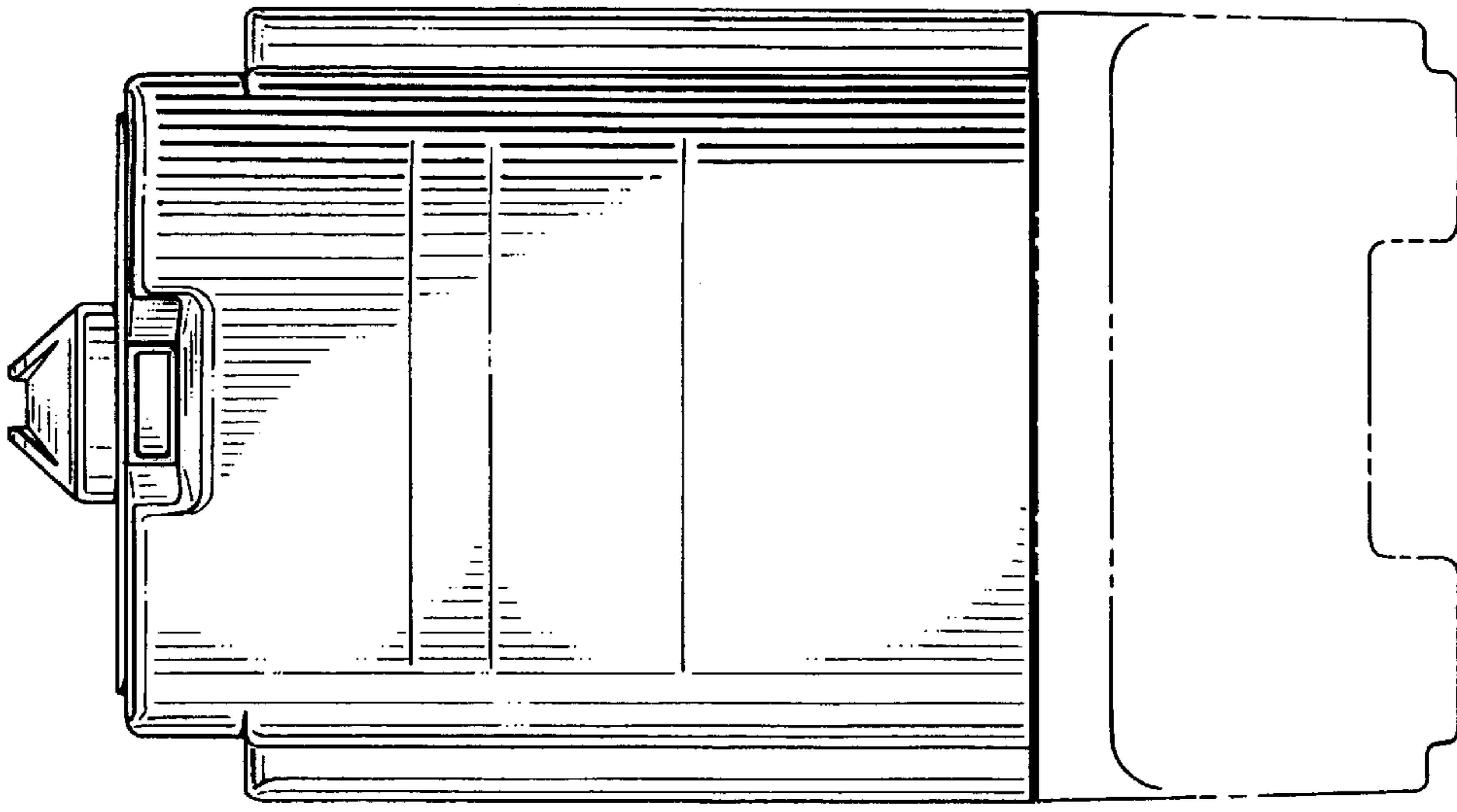
FIG. 9 is a top plan view thereof; and,

FIG. 10 is bottom view thereof.

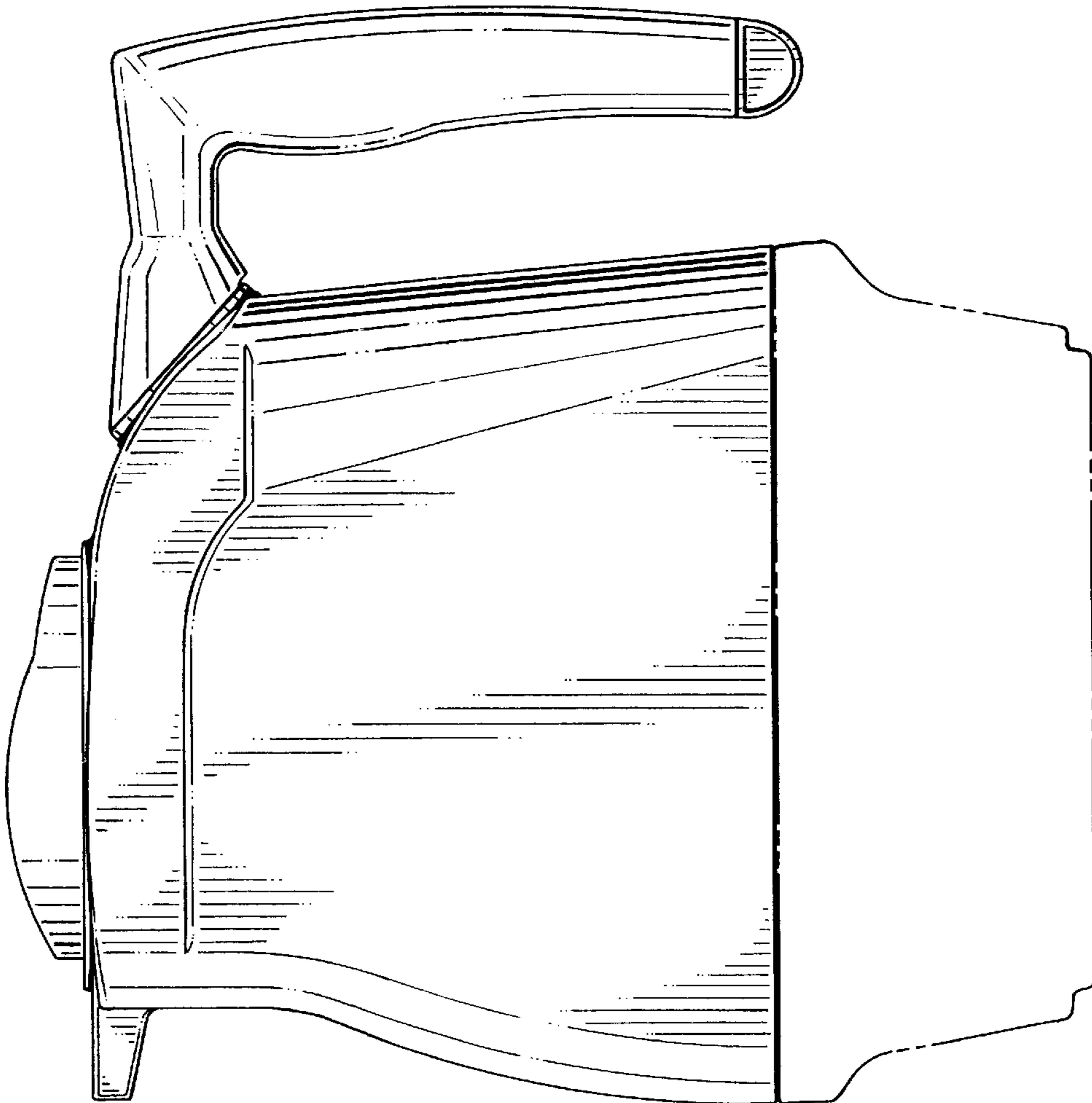
The broken lines in the figures illustrate environmental structures or boundaries that form no part of the design to be patented.

**1 Claim, 6 Drawing Sheets**

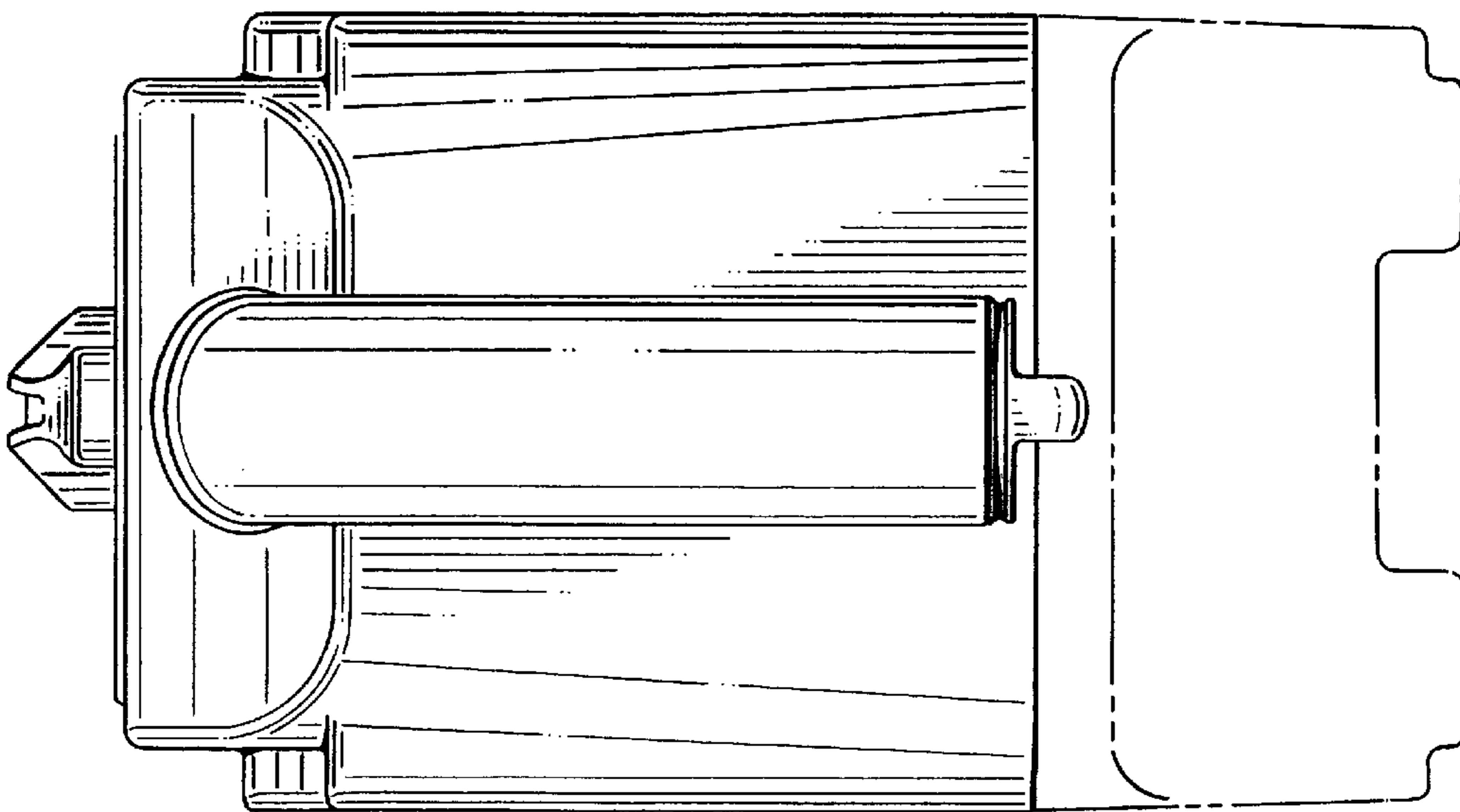




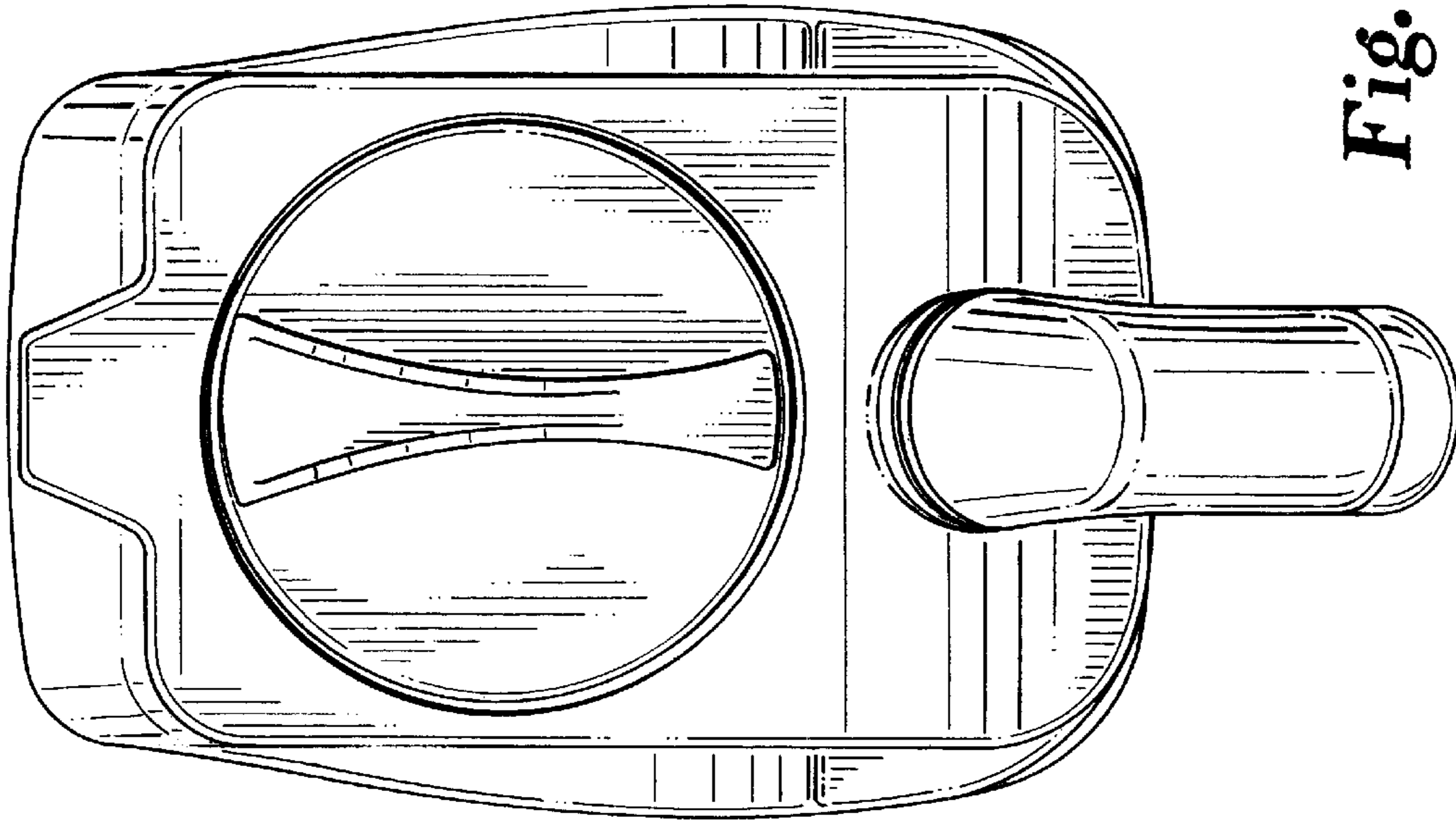
*Fig. 2*



*Fig. 1*



**Fig. 3**



**Fig. 4**

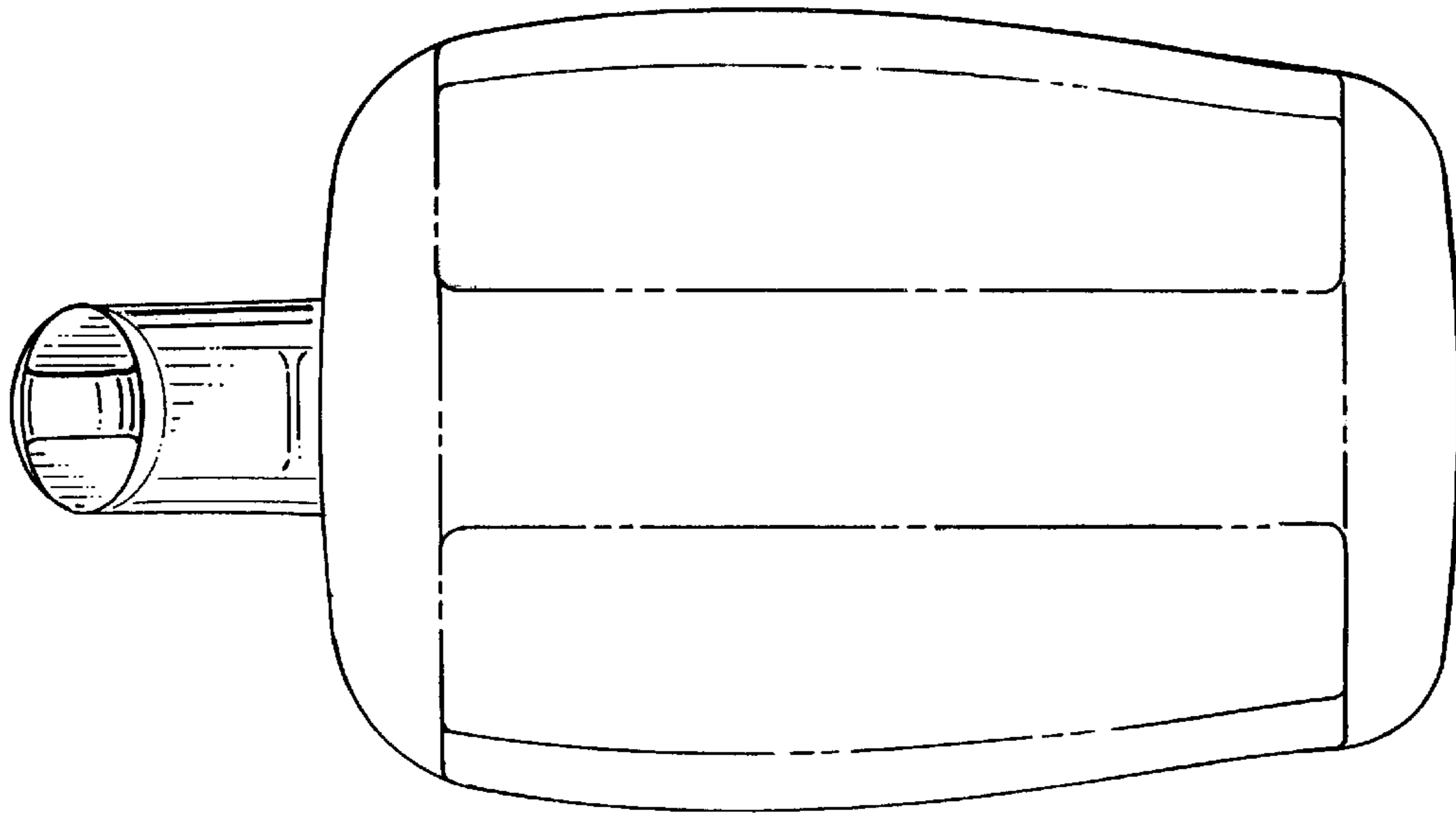
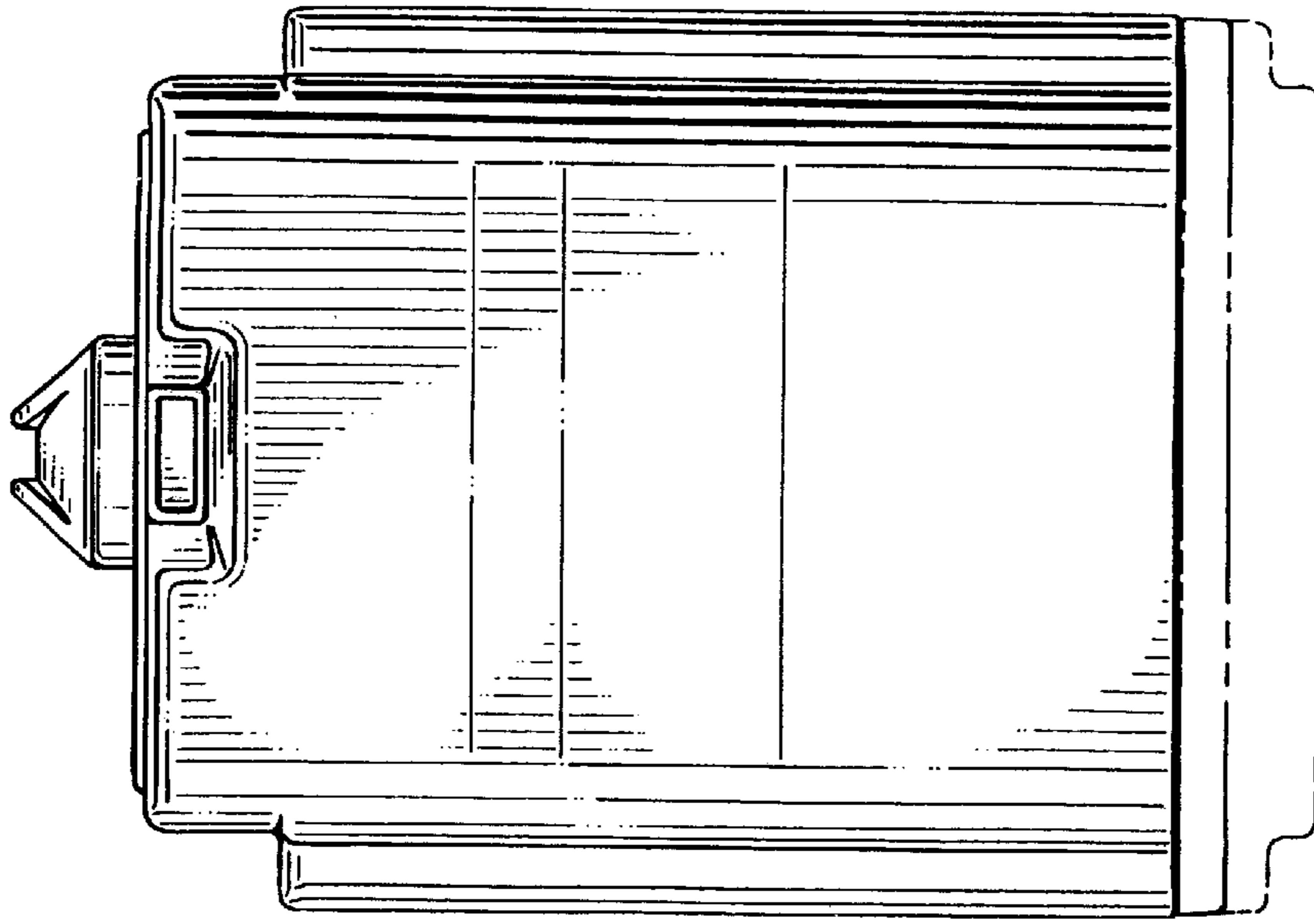
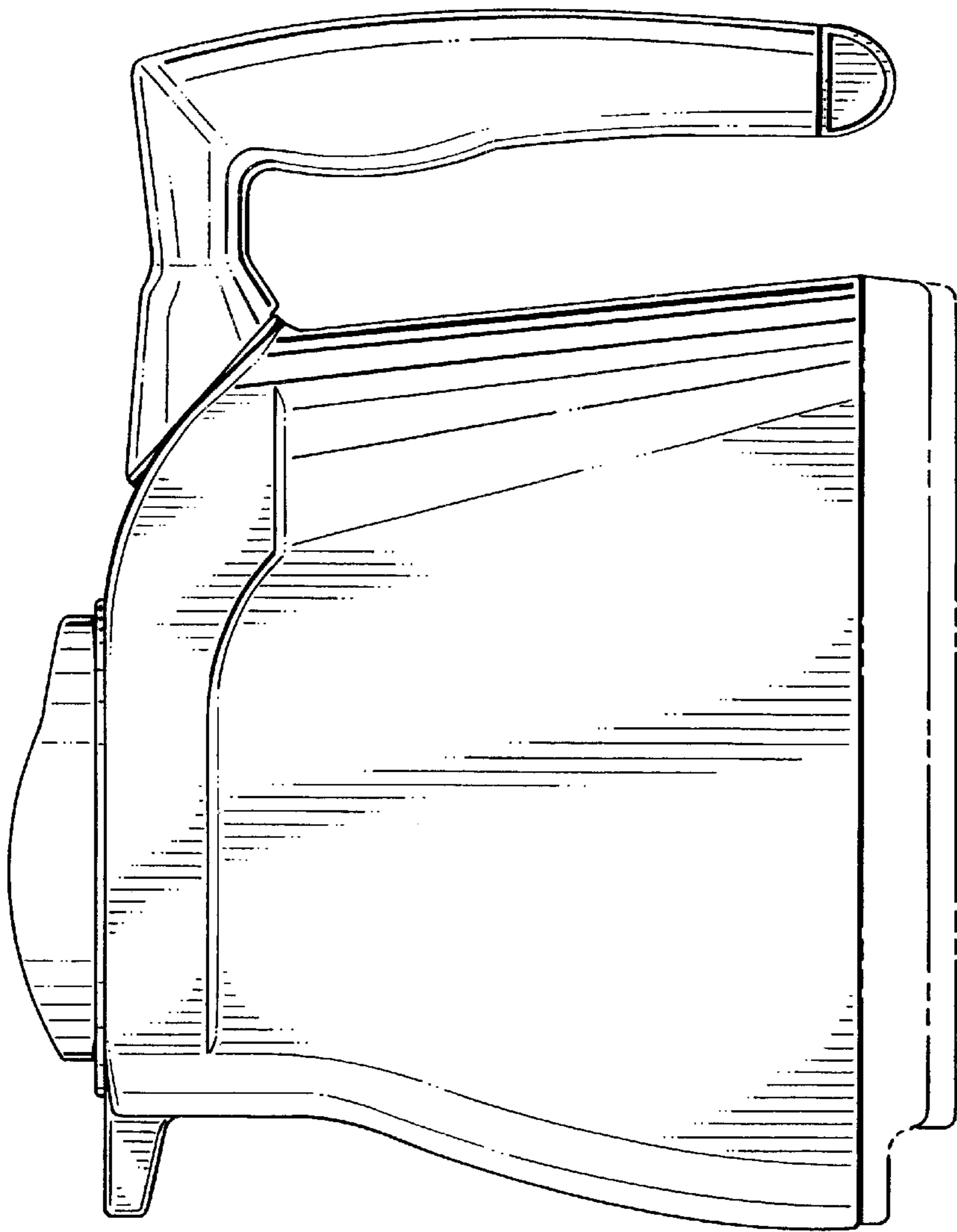


Fig. 5



*Fig. 7*



*Fig. 6*

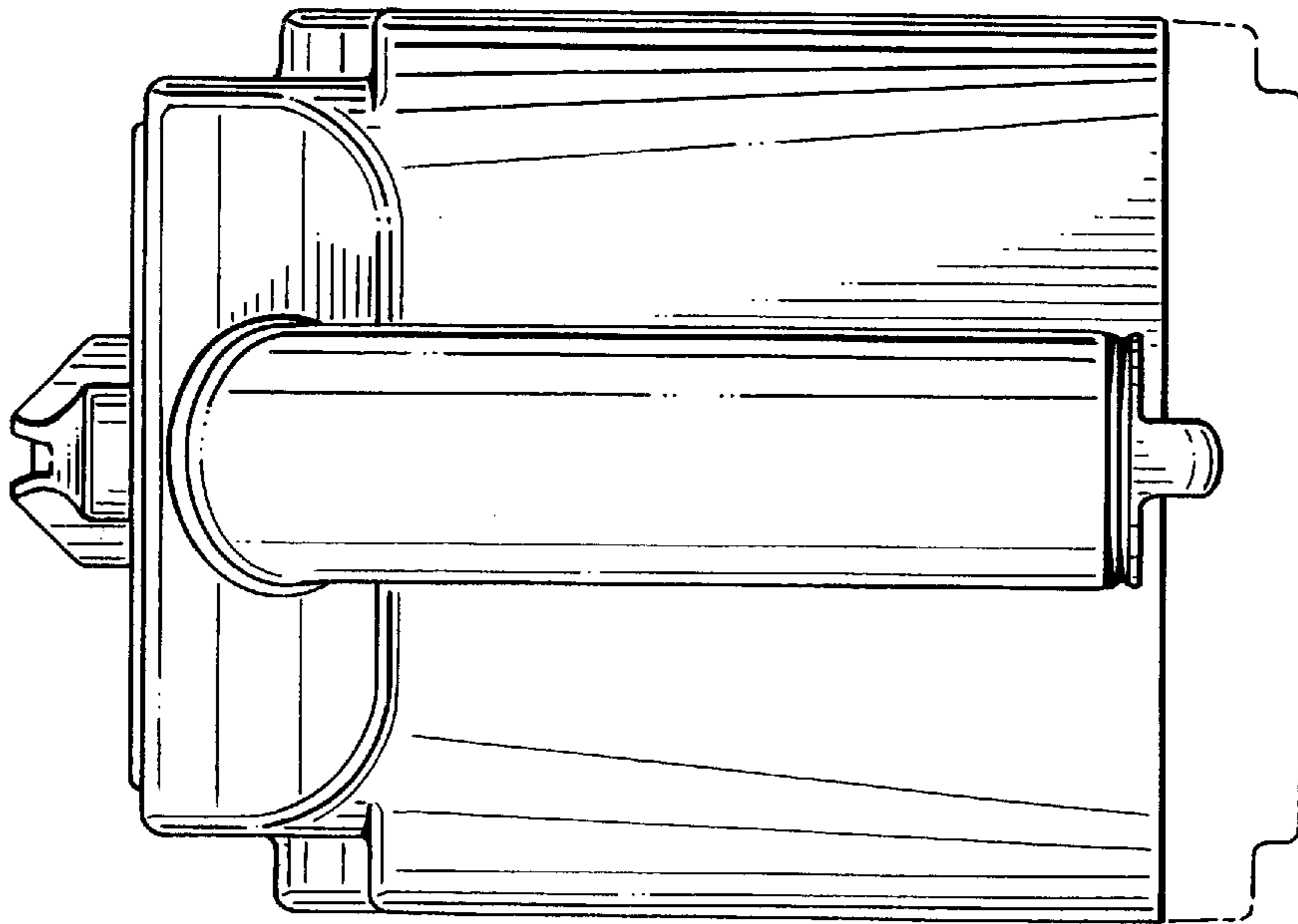


Fig. 8

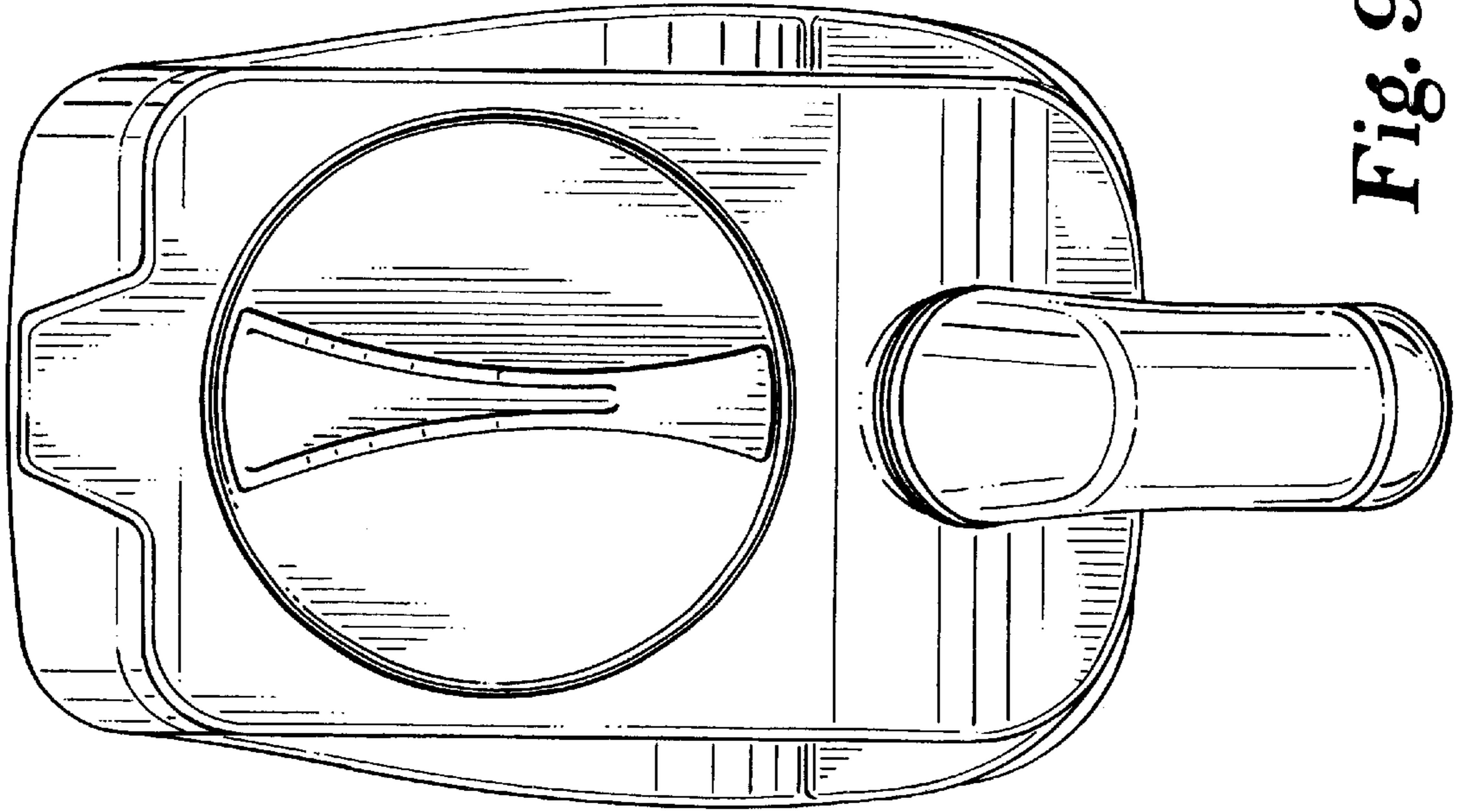
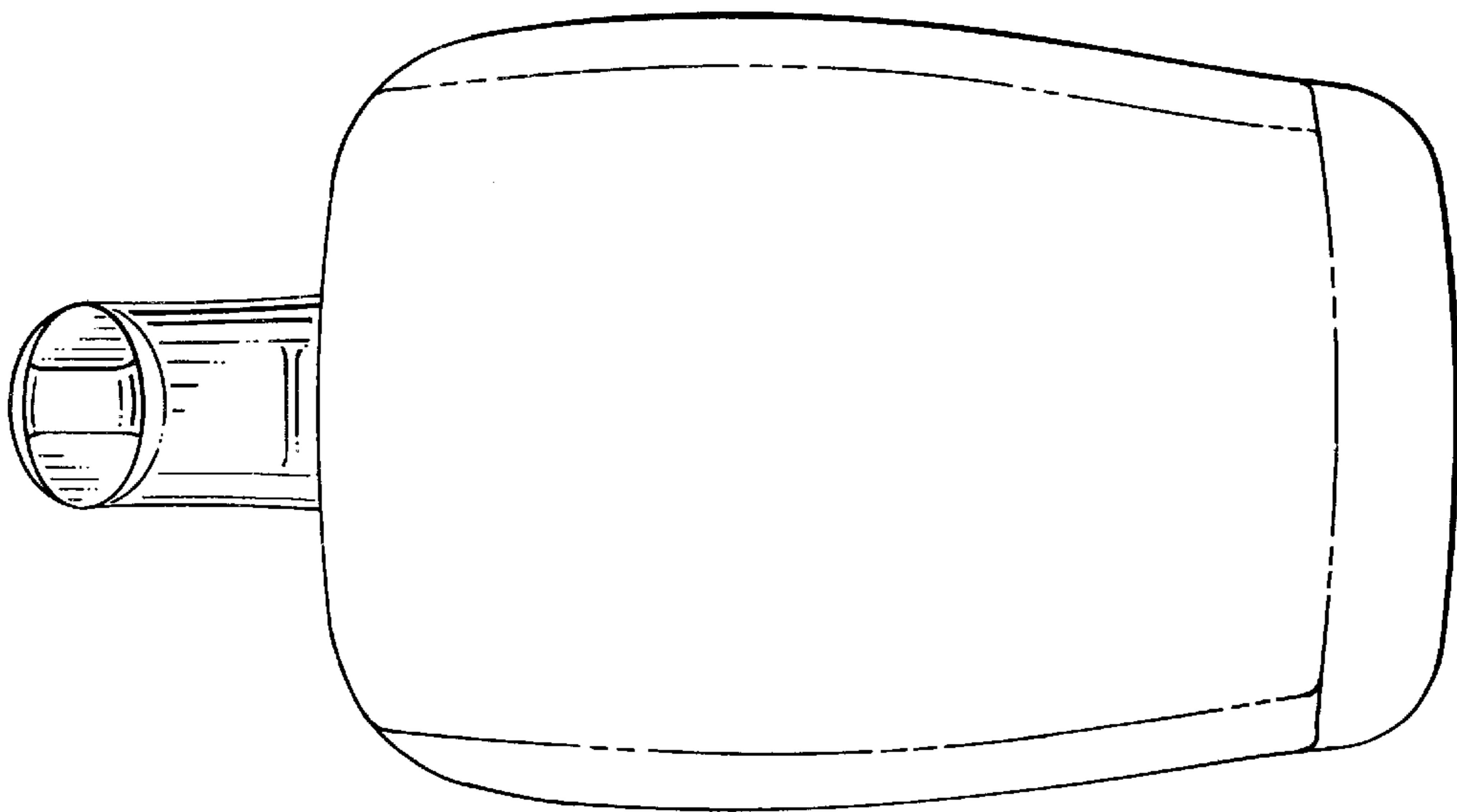


Fig. 9



**Fig. 10**