



US00D455042S

(12) **United States Design Patent**
Sundquist

(10) **Patent No.:** **US D455,042 S**

(45) **Date of Patent:** **** Apr. 2, 2002**

(54) **VEGETABLE CUTTING UNIT**

(75) Inventor: **Jarl Sundquist**, Sollentuna (SE)

(73) Assignee: **AB Hälde Maskiner**, Kista (SE)

(**) Term: **14 Years**

(21) Appl. No.: **29/139,528**

(22) Filed: **Mar. 31, 2001**

(30) **Foreign Application Priority Data**

Dec. 29, 2000 (SE) 00-2337

(51) **LOC (7) Cl.** **31-00**

(52) **U.S. Cl.** **D7/381**

(58) **Field of Search** D7/368, 665, 678,
D7/679, 372-374, 381-384; 99/537, 538;
241/33, 101.1, 168, 185.5, 277, 278.2,
285.2, 301

(56) **References Cited**

U.S. PATENT DOCUMENTS

D283,290 S * 4/1986 Prevot D7/384

D438,753 S * 3/2001 Fouquet D7/381

* cited by examiner

Primary Examiner—Caron D. Veynar

(74) *Attorney, Agent, or Firm*—Alfred J. Mangels

(57) **CLAIM**

The ornamental design for a vegetable cutting unit, as shown and described.

DESCRIPTION

FIG. 1 is a front perspective view of a vegetable cutting unit in accordance with my design showing the top, the front side, and the right side thereof;

FIG. 2 is back perspective view thereof showing the bottom, the back side, and the left side thereof;

FIG. 3 is a rear perspective view from above, showing the top and the back side thereof.

FIG. 4 is a rear elevational view thereof.

FIG. 5 is a bottom view thereof;

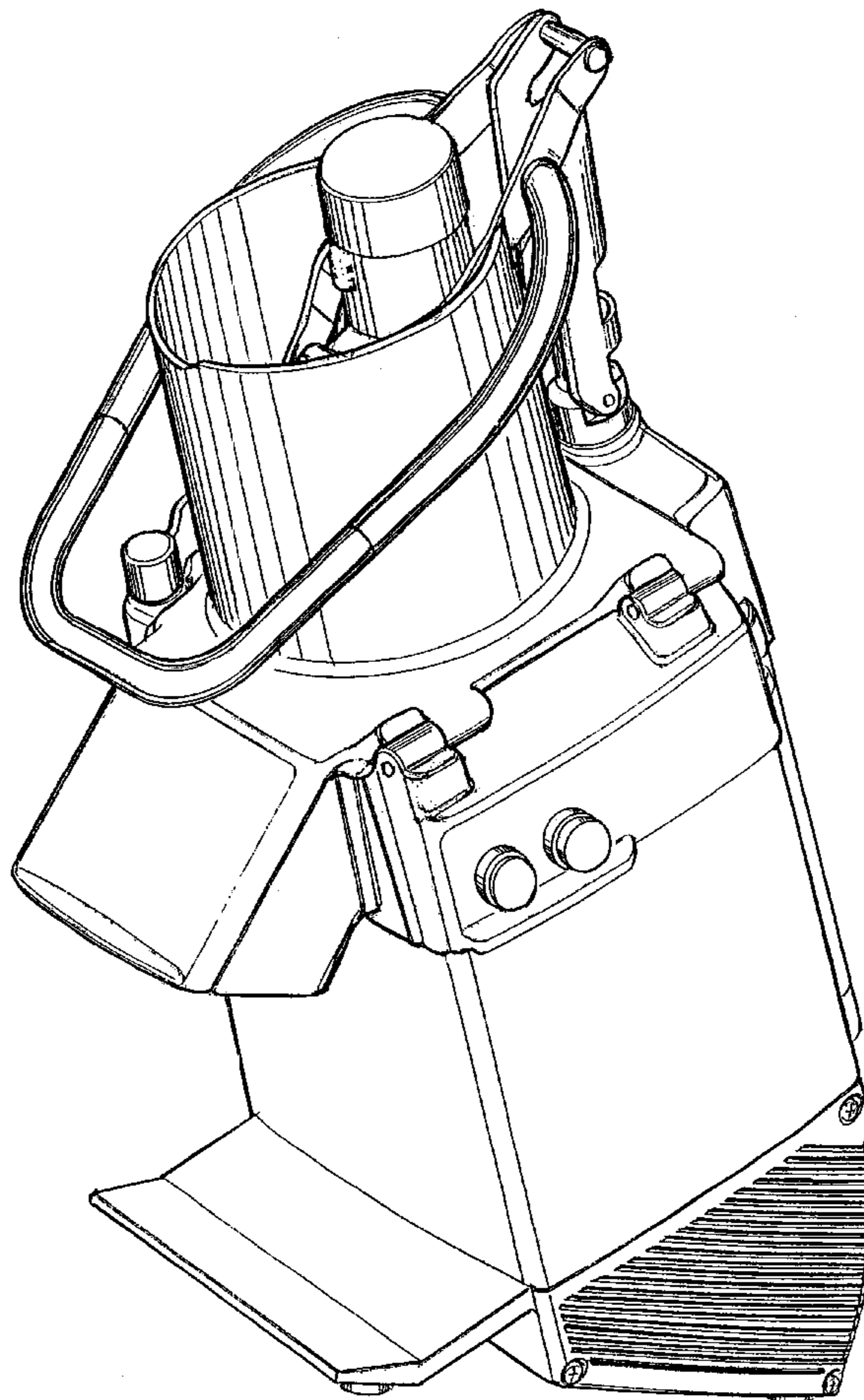
FIG. 6 is a front elevational view thereof.

FIG. 7 is a right side elevational view thereof;

FIG. 8 is a left side elevational view thereof; and,

FIG. 9 is a top view thereof.

1 Claim, 9 Drawing Sheets



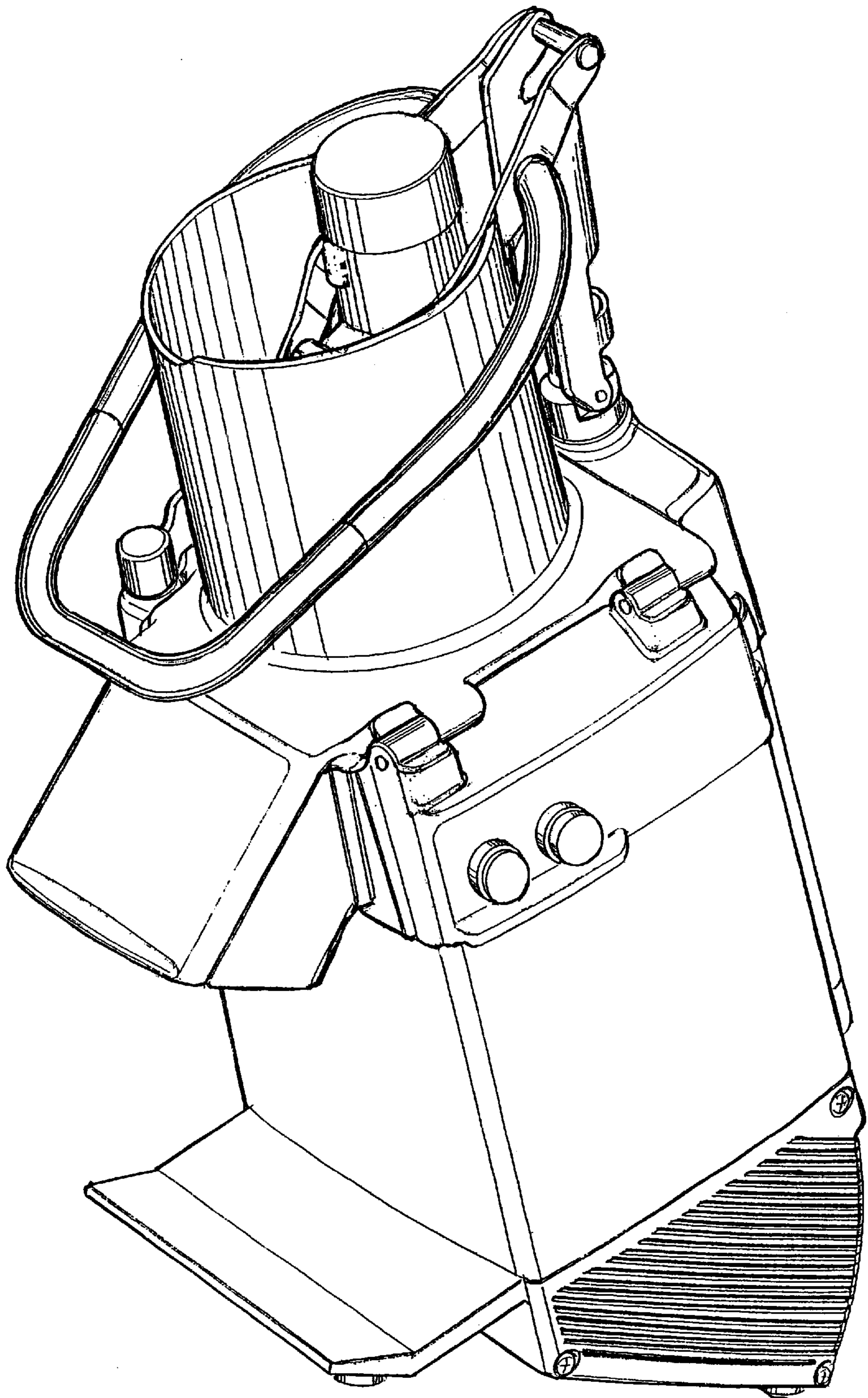


Fig. 1

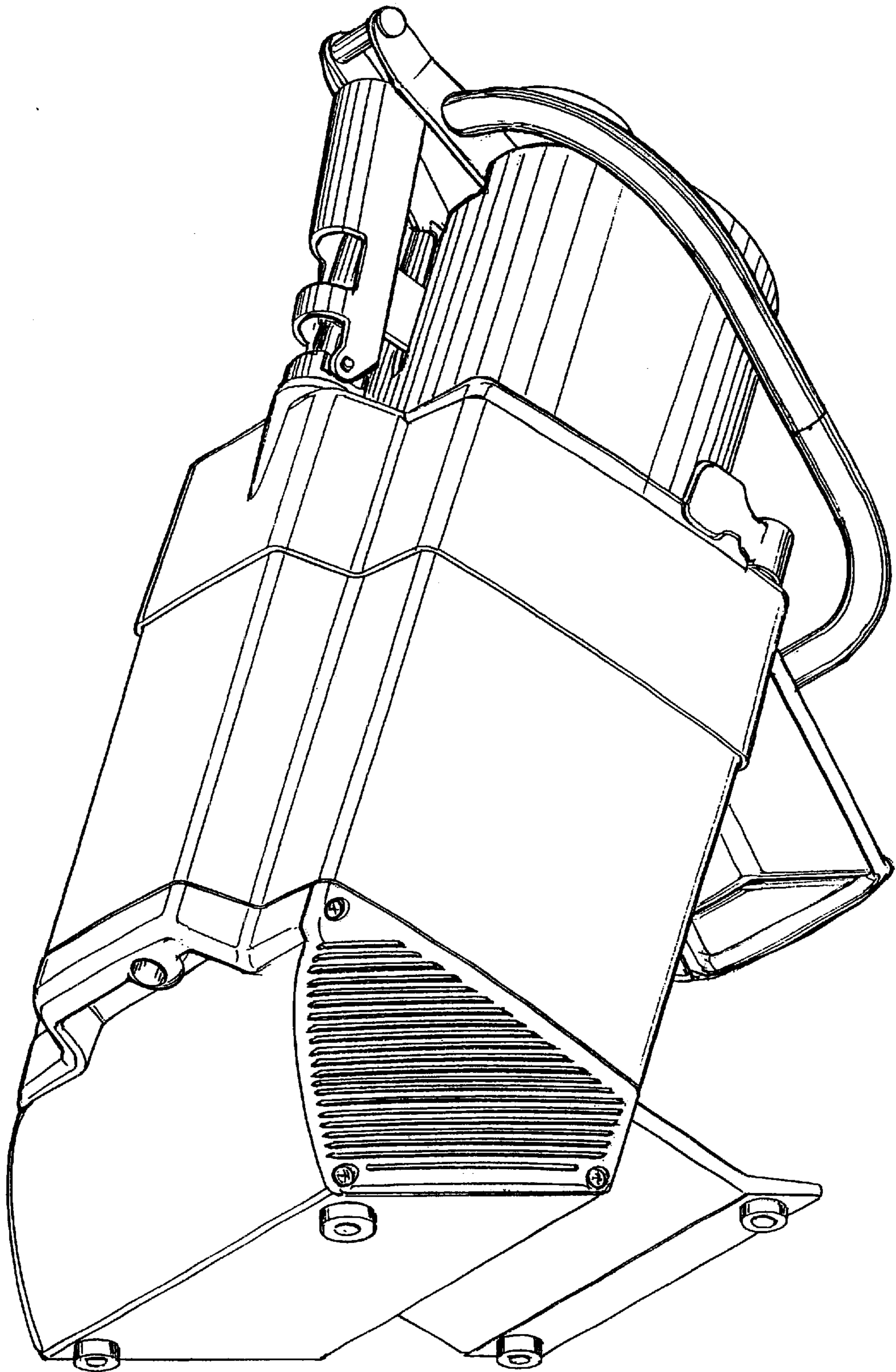


Fig. 2

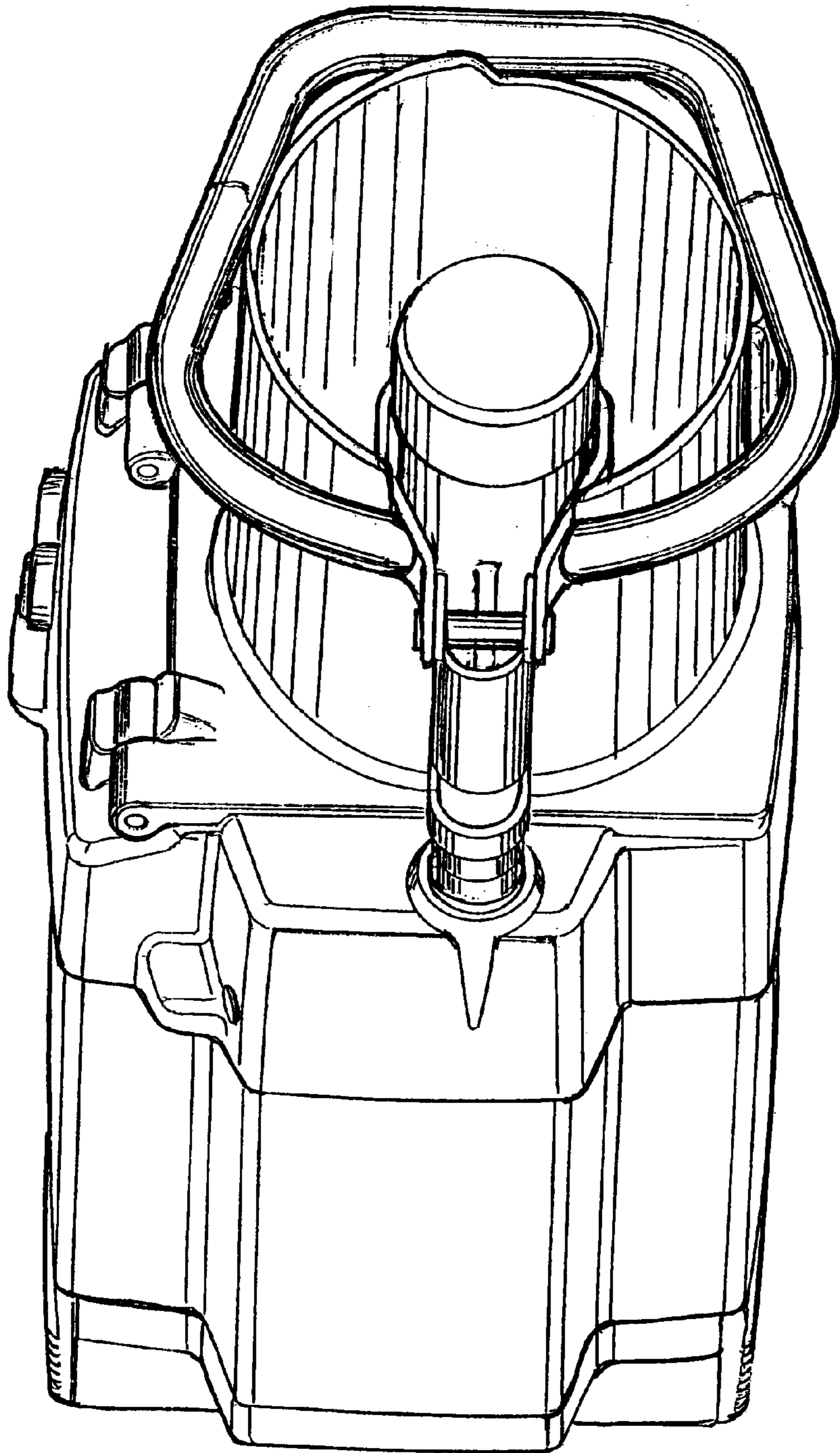


Fig. 3

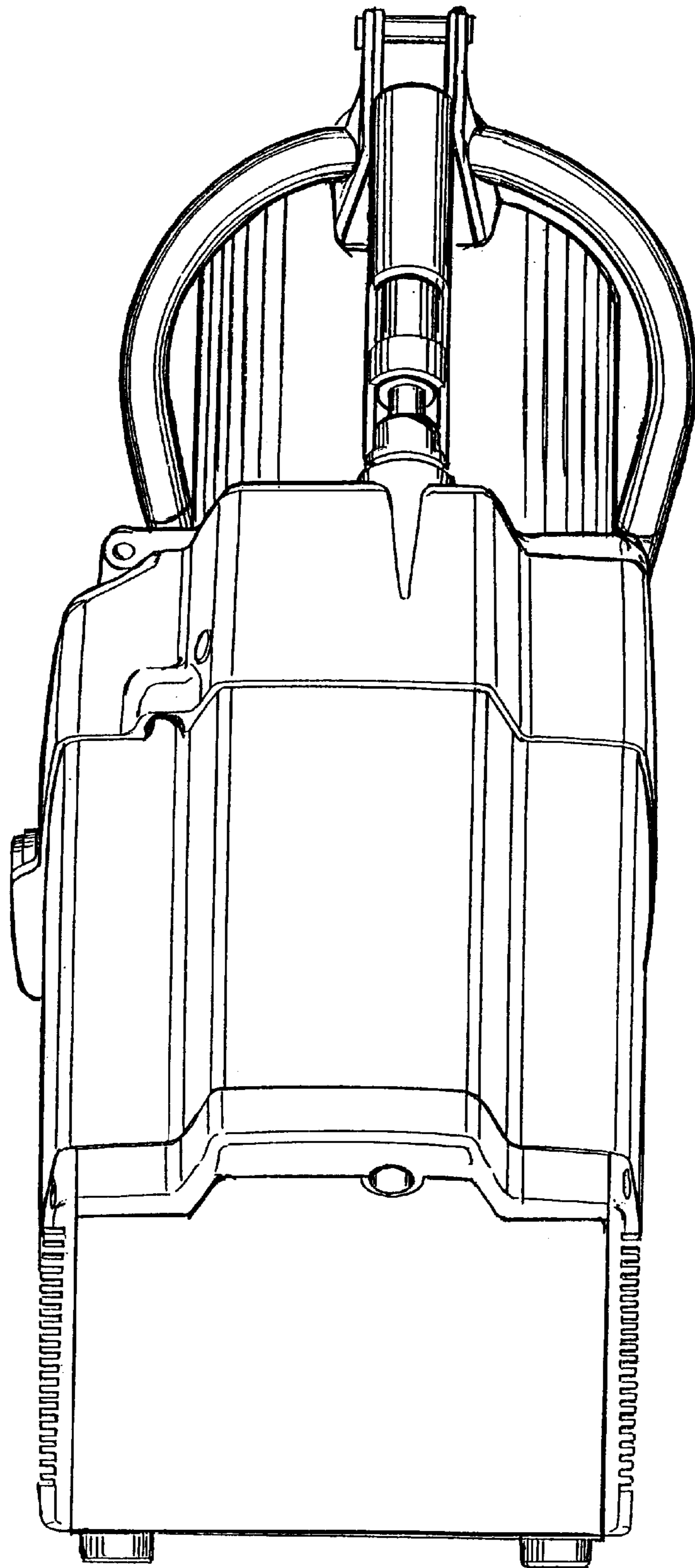


Fig. 4

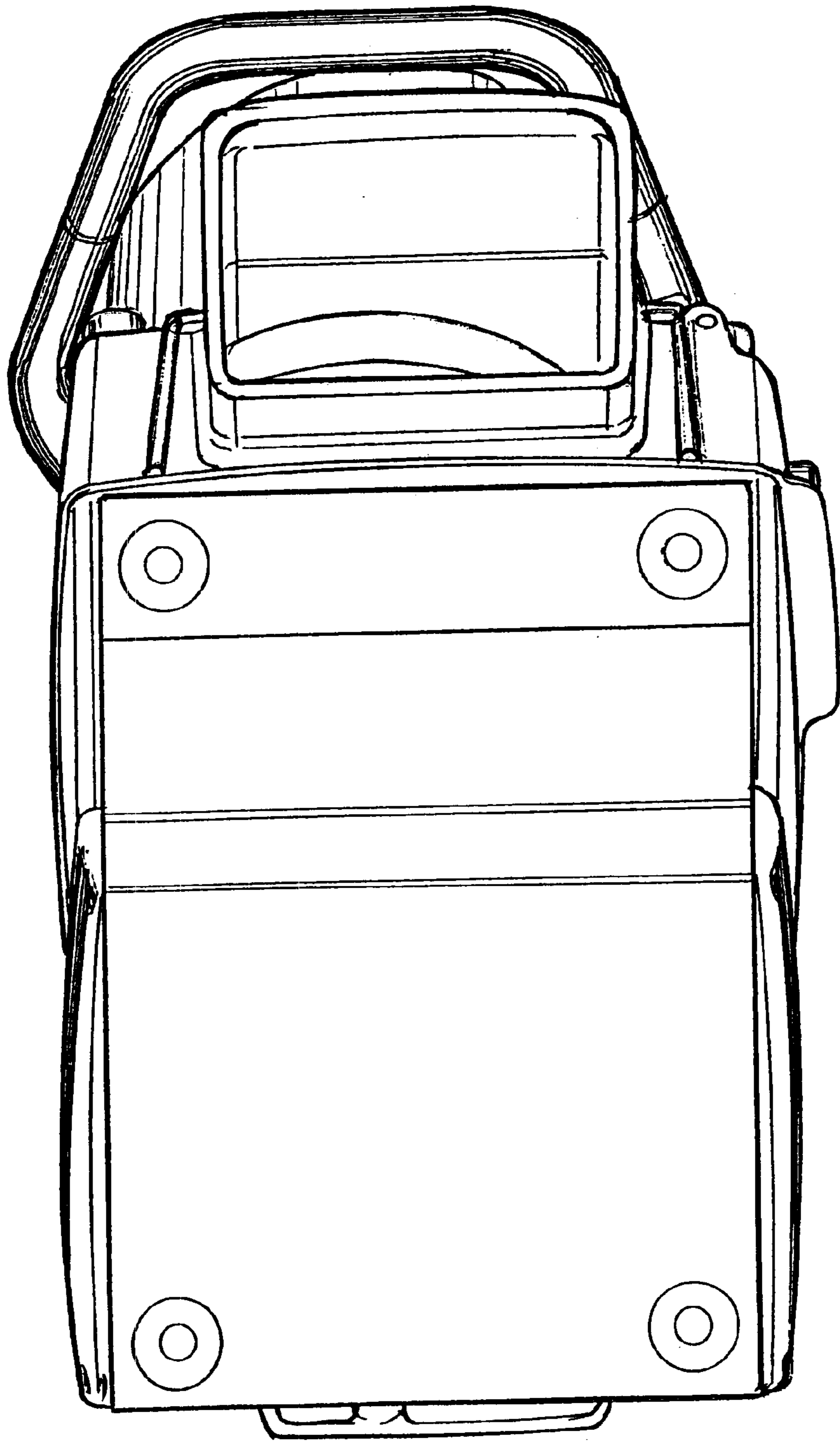


Fig. 5

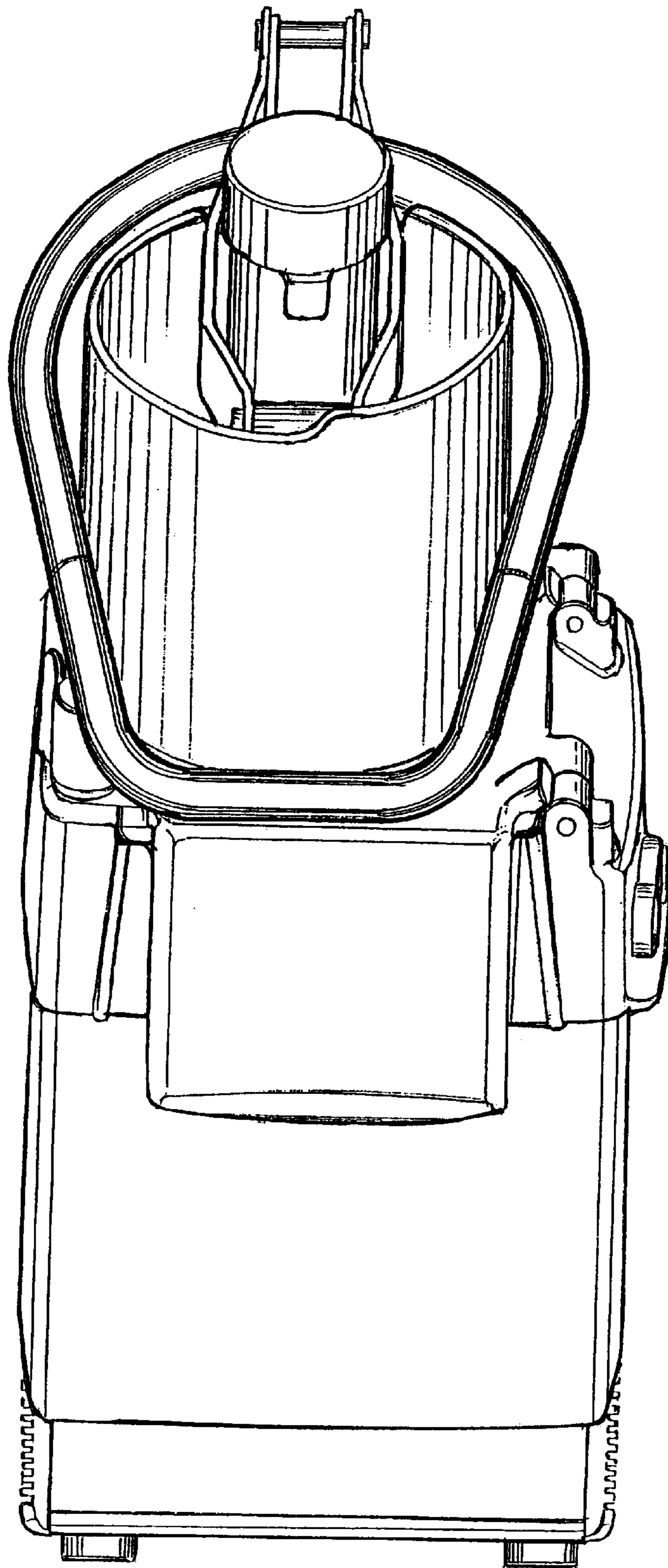


Fig. 6

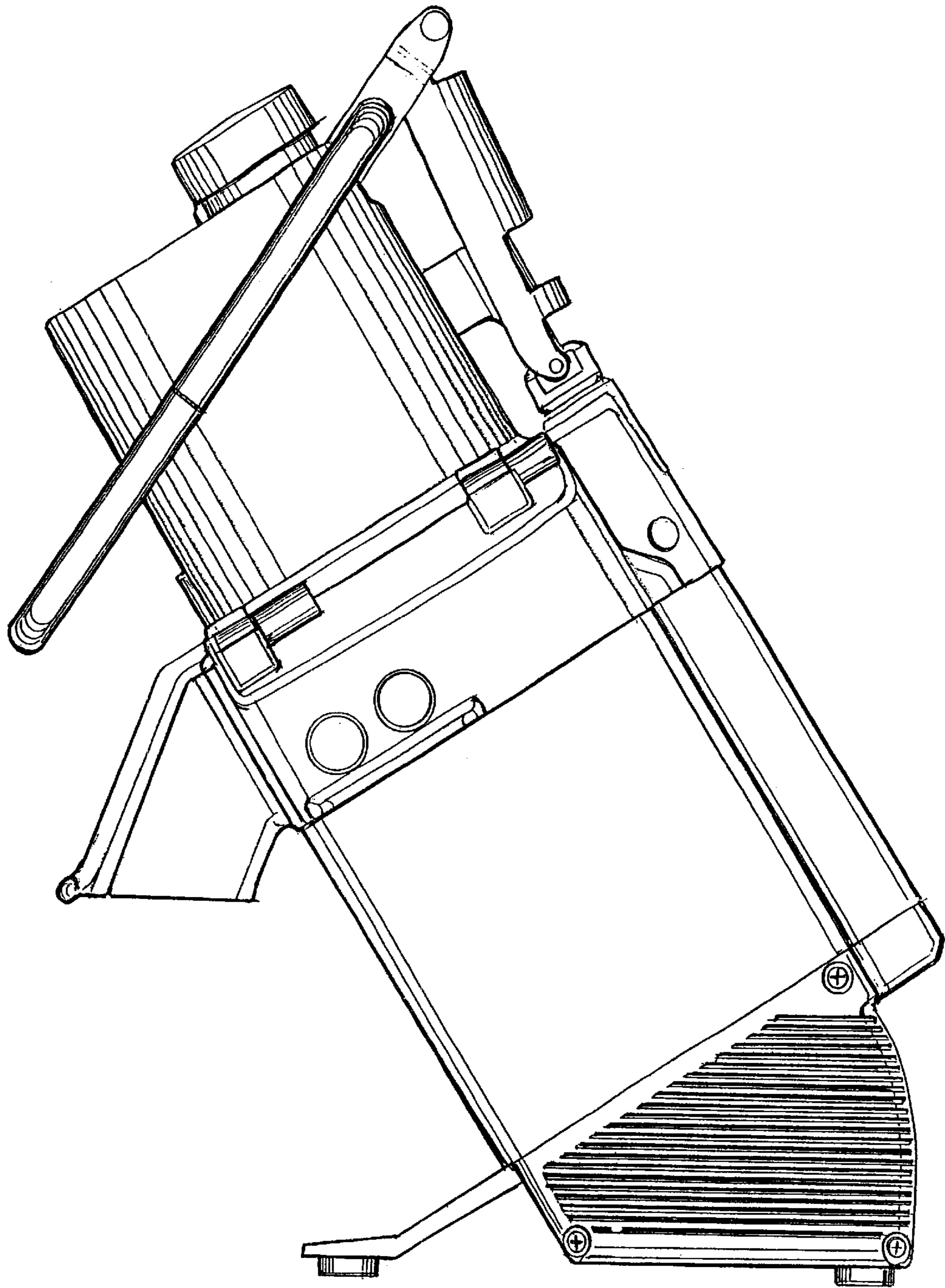


Fig. 7

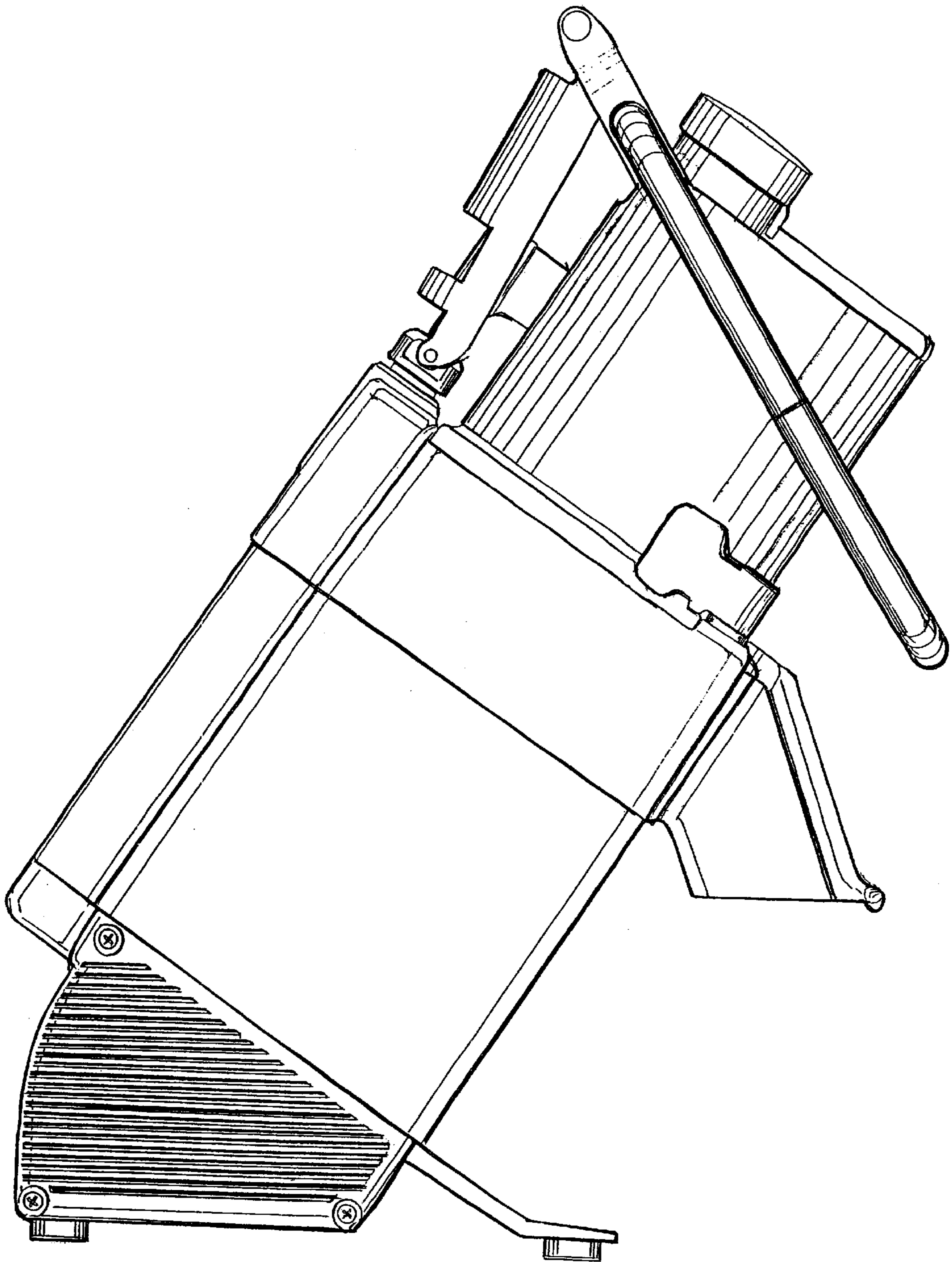


Fig. 8

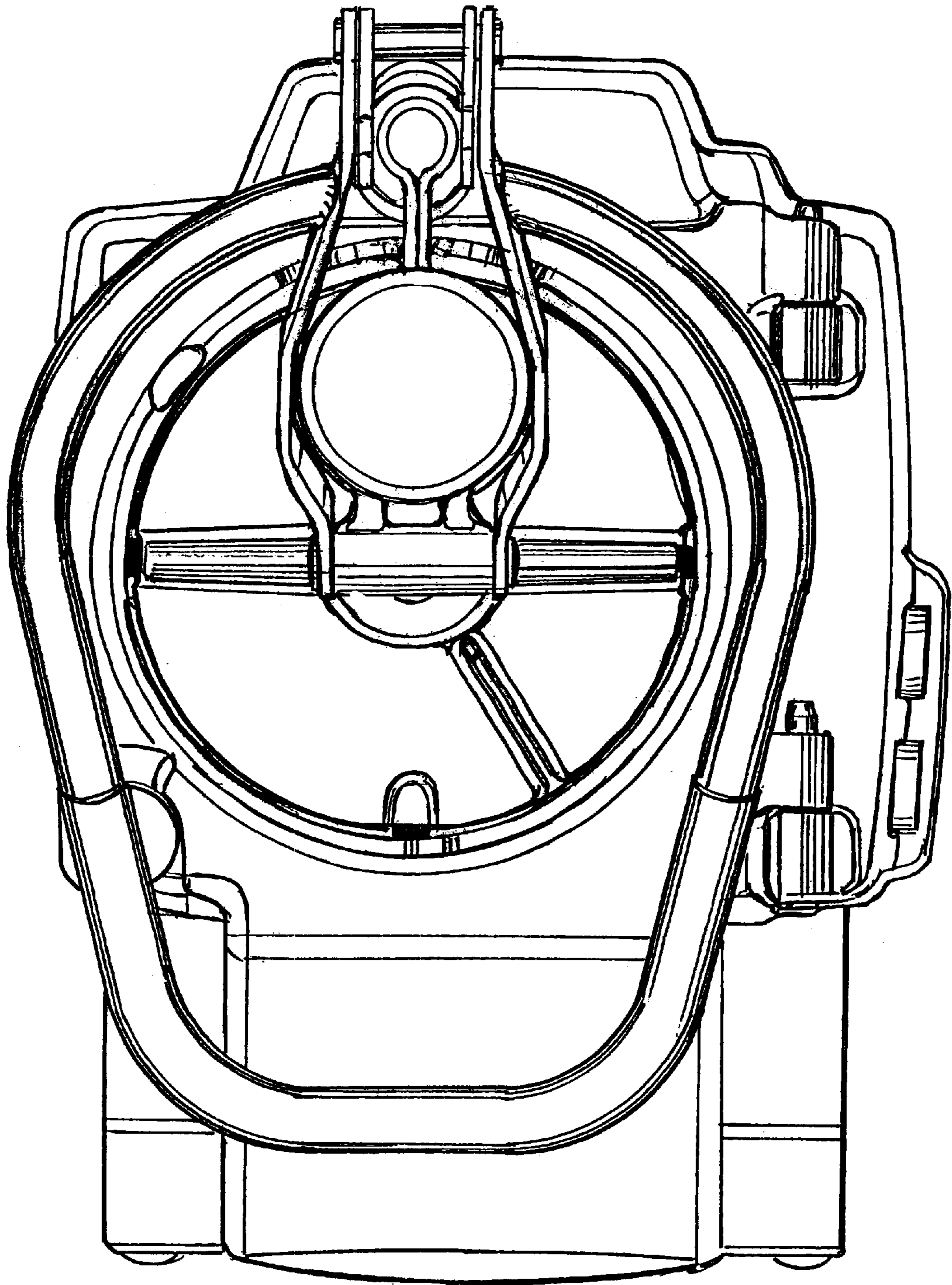


Fig. 9