



US00D455039S

(12) **United States Design Patent**
Pai

(10) **Patent No.:** **US D455,039 S**

(45) **Date of Patent:** **** Apr. 2, 2002**

(54) **BARBECUE GRILL**

(76) Inventor: **Lucas Pai**, 8 Fl.-2, No. 160, Sec. 1,
Chung-Kang Rd., Taichung (TW)

(**) Term: **14 Years**

(21) Appl. No.: **29/130,158**

(22) Filed: **Sep. 29, 2000**

(30) **Foreign Application Priority Data**

Sep. 6, 2000 (TW) 089306046

(51) **LOC (7) Cl.** **07-02**

(52) **U.S. Cl.** **D7/334**

(58) **Field of Search** D7/332, 334, 335,
D7/336, 337, 402, 409; 126/25 R, 25 A,
25 AA, 41 R, 29-30, 9 R, 9 B, 4, 6, 506,
519; D23/343, 348, 350, 317, 332, 334-336,
338-339; 99/443, 450, 421 R; 248/156

(56) **References Cited**

U.S. PATENT DOCUMENTS

- D322,909 S * 1/1992 Parent et al. D7/334
- D327,390 S * 6/1992 Schlosser et al. D7/334
- D351,308 S * 10/1994 Pai D7/334
- D356,924 S * 4/1995 Pai D7/334

- D358,059 S * 5/1995 Peterson et al. D7/334
- D361,466 S * 8/1995 Peterson et al. D7/334
- D381,240 S * 7/1997 Home D7/334
- D410,812 S * 6/1999 Pai D7/334
- D423,274 S * 4/2000 Coleman et al. D7/334
- D426,741 S * 6/2000 Pai D7/334
- D435,387 S * 12/2000 Pai D7/334

* cited by examiner

Primary Examiner—Ruth McInroy

(74) *Attorney, Agent, or Firm*—Alan Kamrath; Rider,
Bennett, Egan & Arundel, LLP

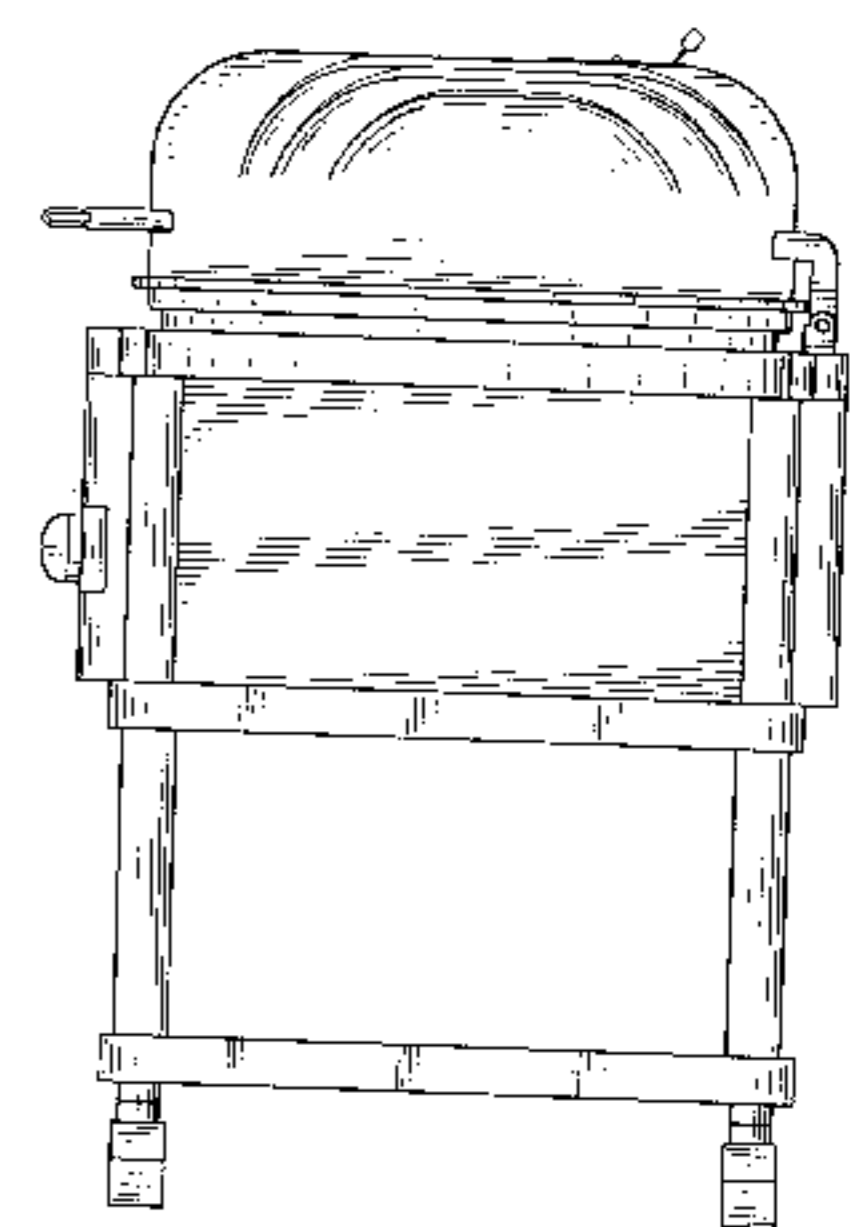
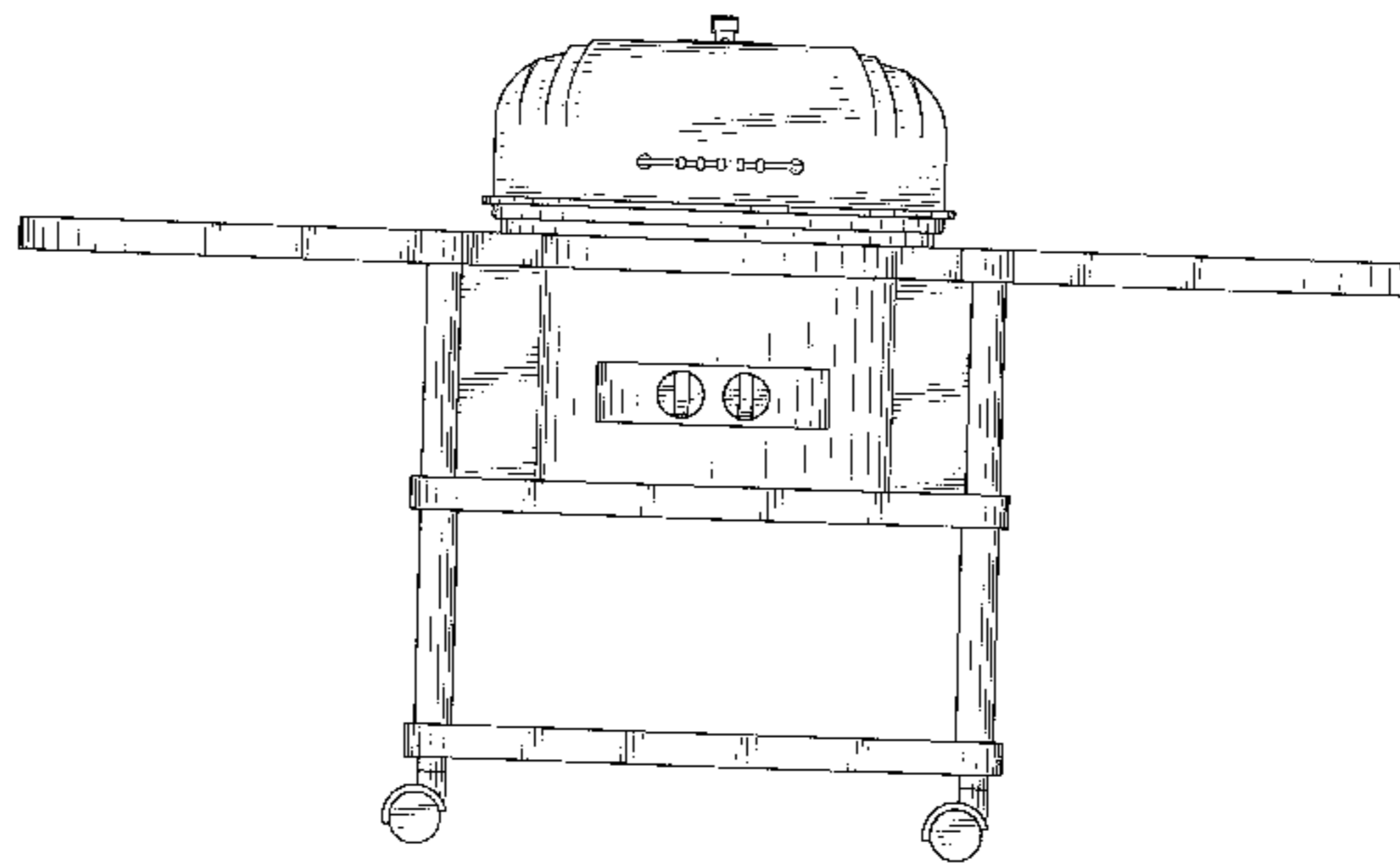
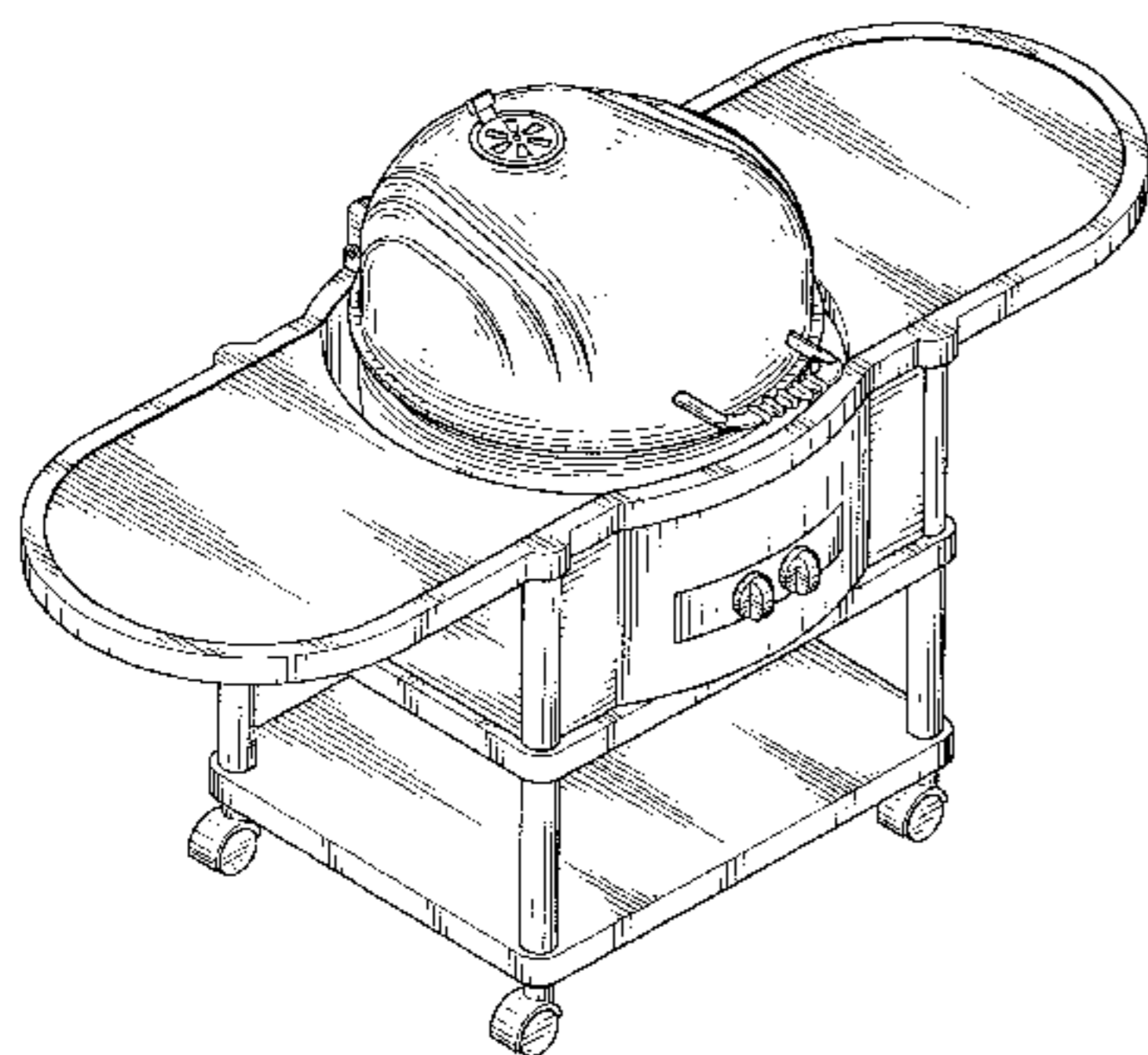
(57) **CLAIM**

The ornamental design for a barbecue grill, as shown.

DESCRIPTION

FIG. 1 is a front-left-top perspective view of a barbecue grill, showing my new design;
 FIG. 2 is a front elevational view thereof;
 FIG. 3 is a rear elevational view thereof;
 FIG. 4 is a left side elevational view thereof;
 FIG. 5 is a right side elevational view thereof;
 FIG. 6 is a top plan view thereof; and,
 FIG. 7 is a bottom plan view thereof.

1 Claim, 6 Drawing Sheets



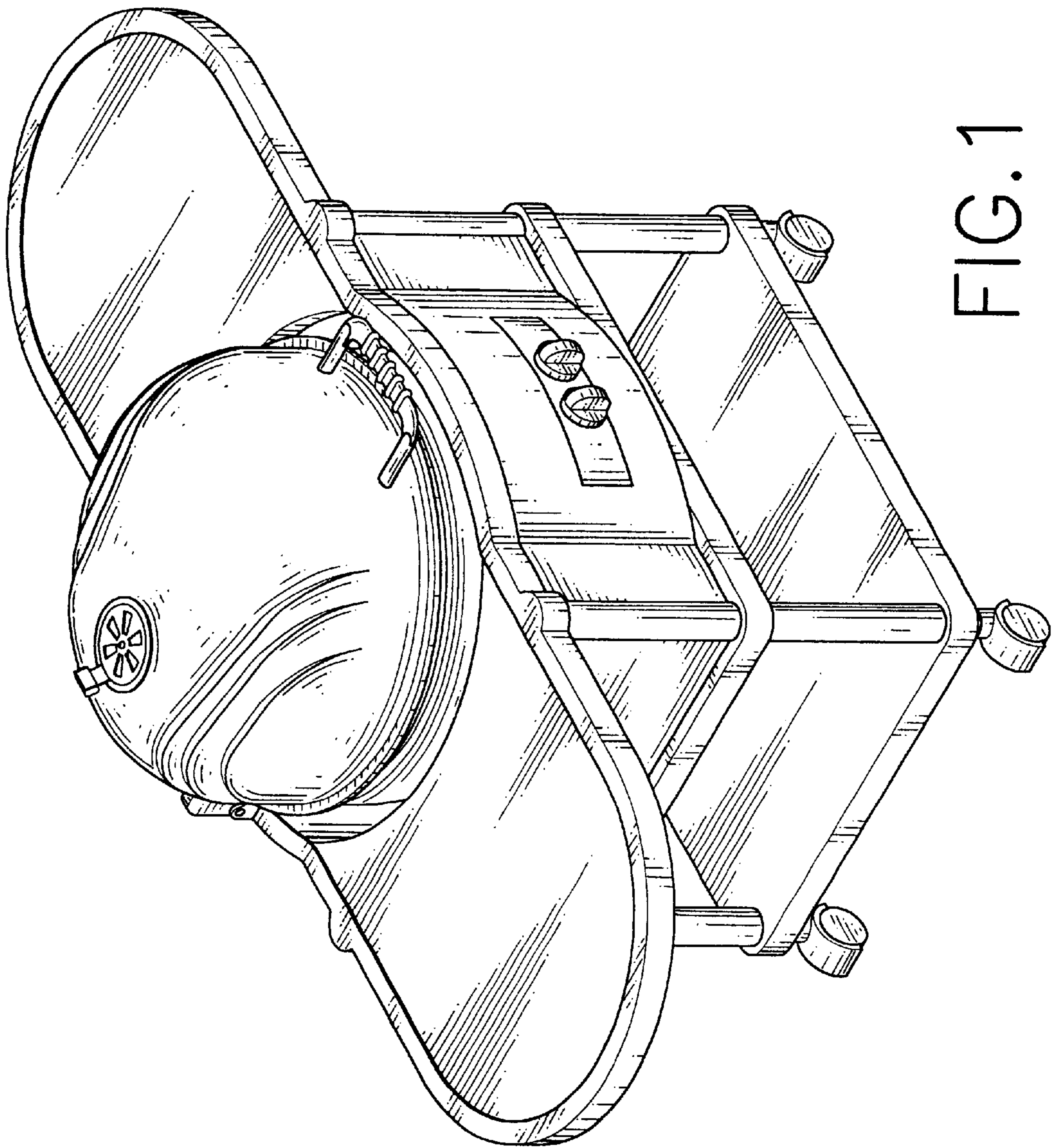


FIG. 1

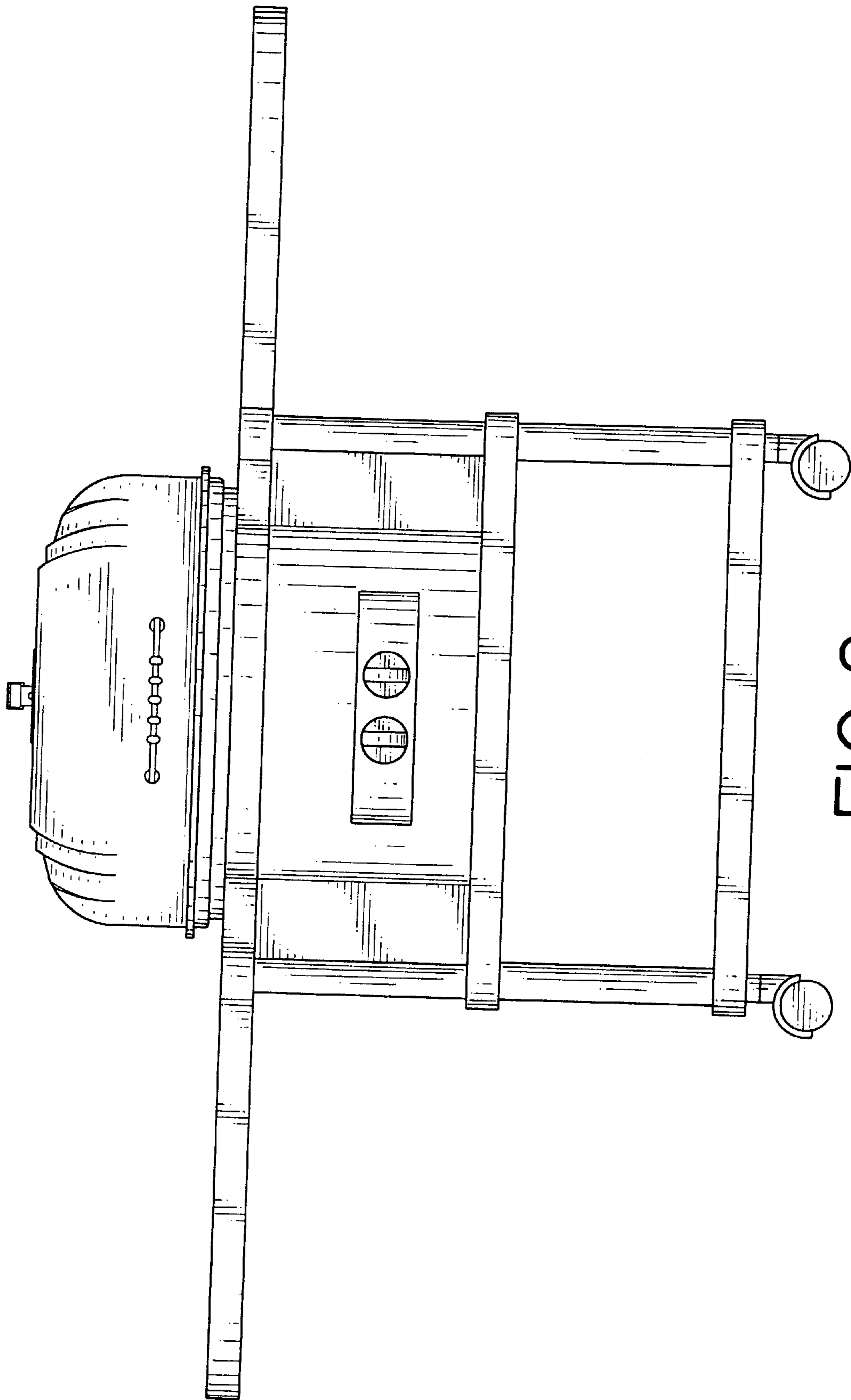


FIG. 2

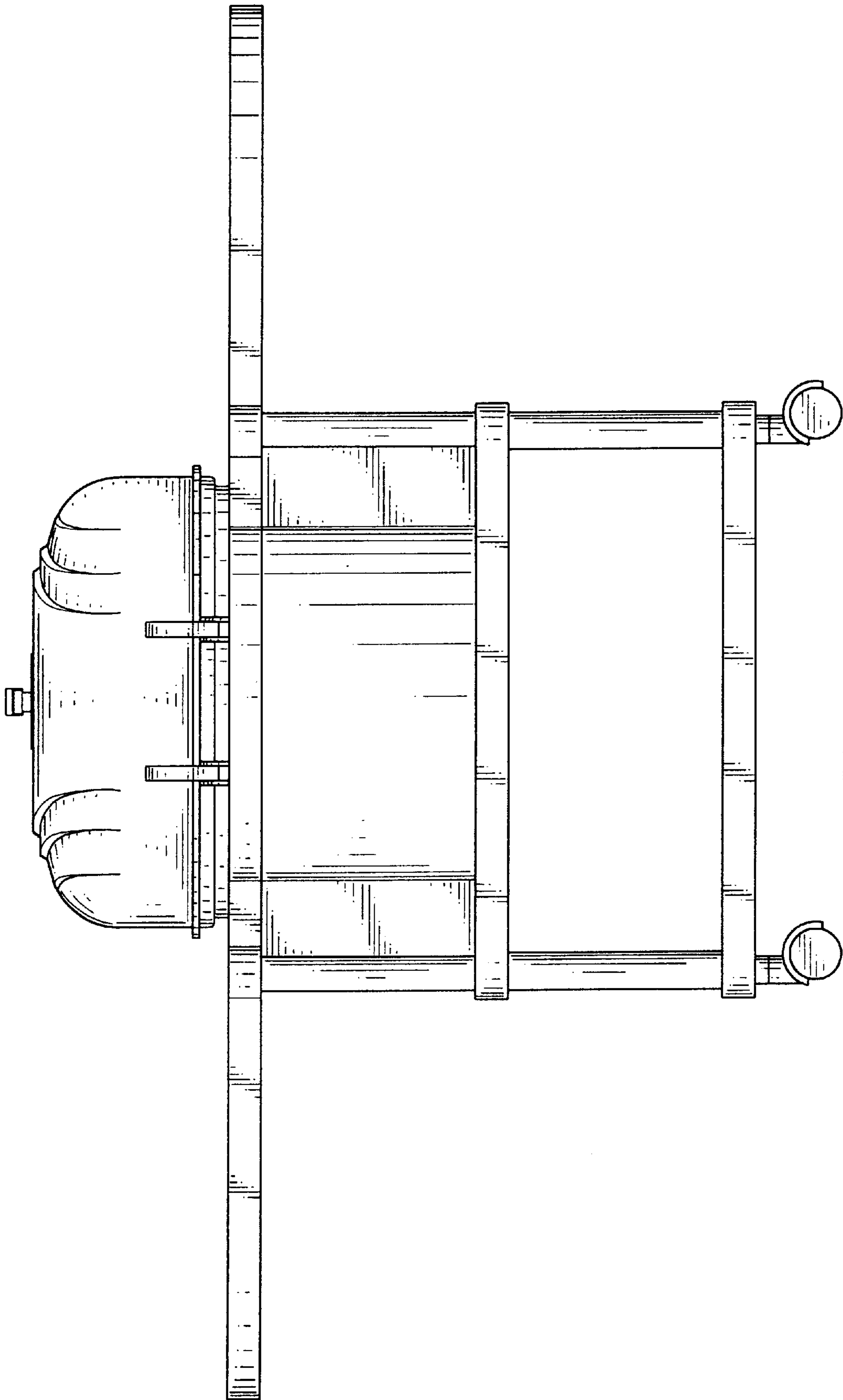


FIG. 3

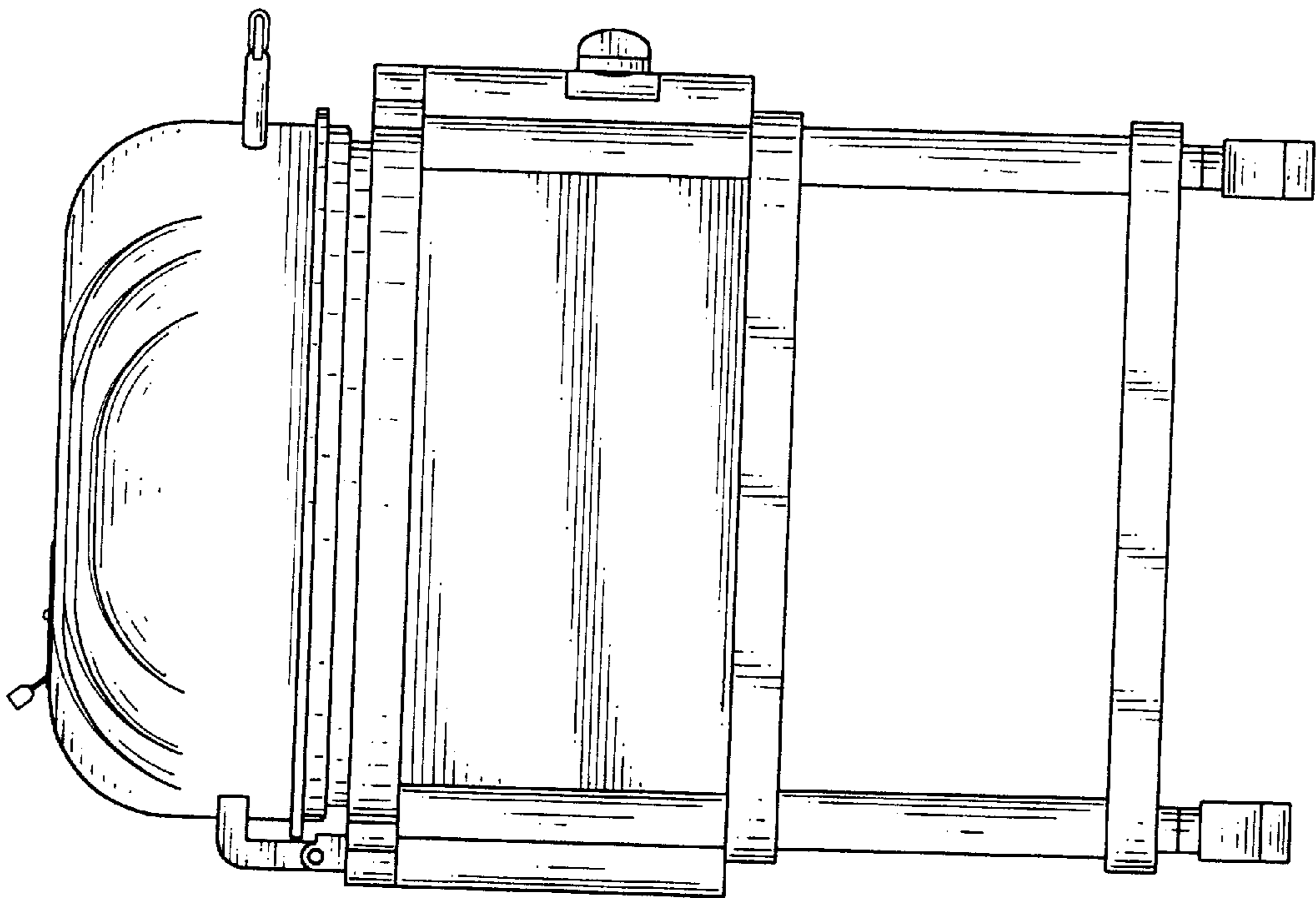


FIG. 4

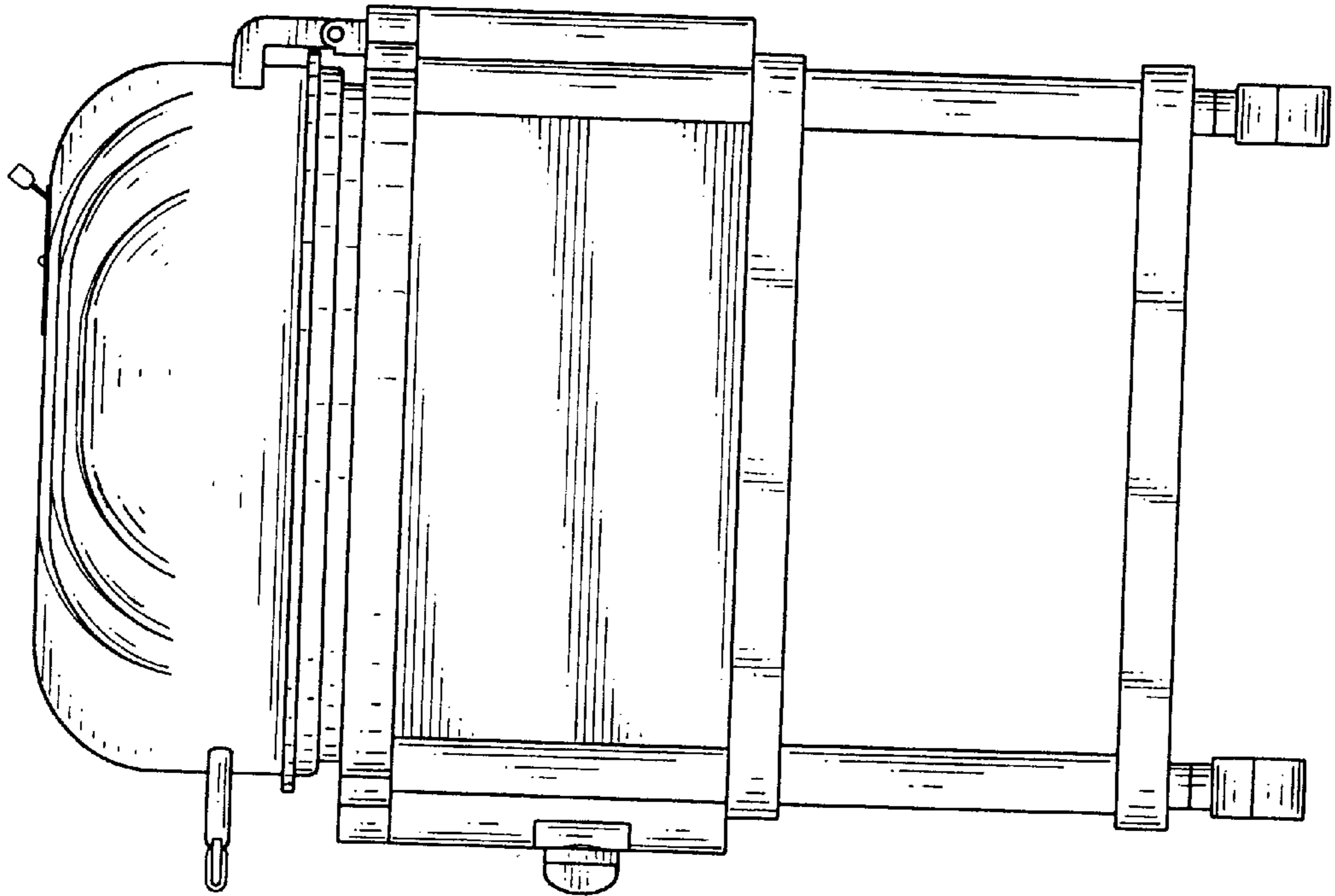


FIG. 5

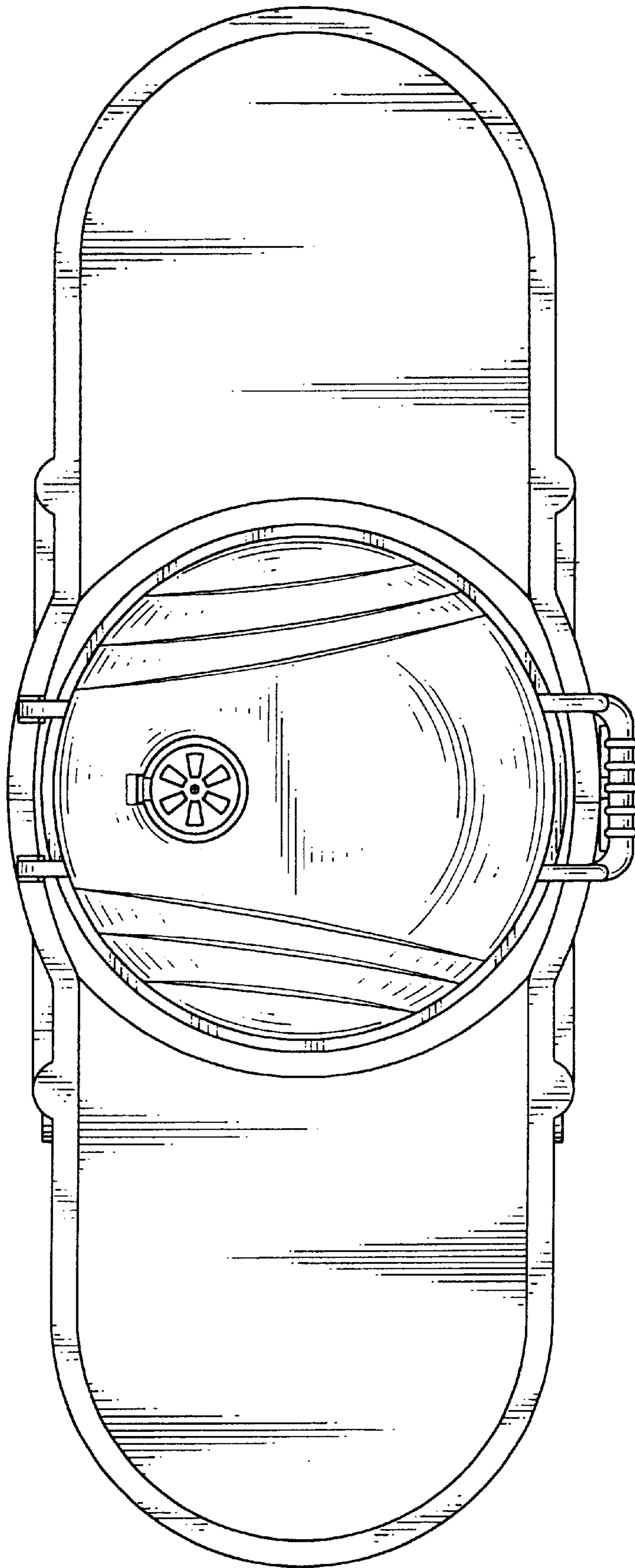


FIG. 6

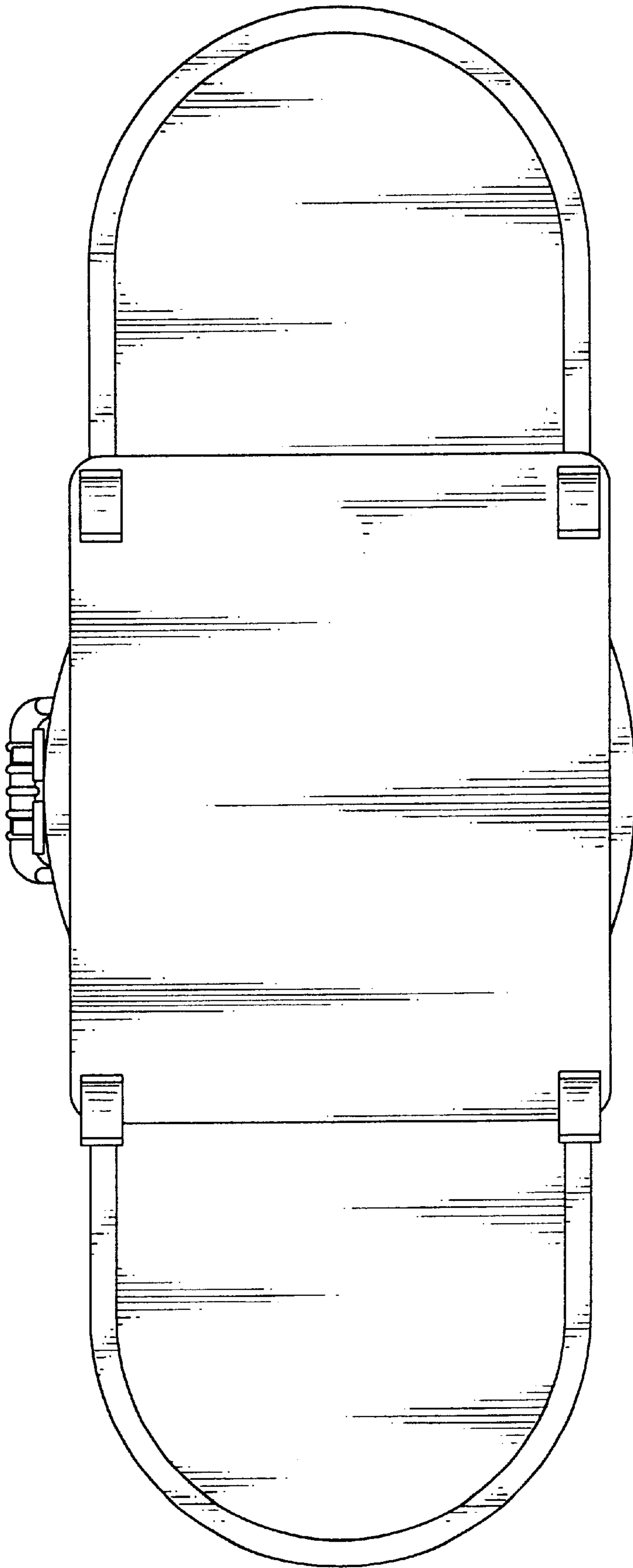


FIG. 7