



US00D455038S

(12) **United States Design Patent**  
**Yang**

(10) **Patent No.:** **US D455,038 S**

(45) **Date of Patent:** **\*\* Apr. 2, 2002**

(54) **DATA DISK HOLDER**

(76) **Inventor:** **Don Y. T. Yang**, 3F, No. 317, Sec. 4,  
Pateh Rd., Taipei (TW)

(\*\*) **Term:** **14 Years**

(21) **Appl. No.:** **29/140,902**

(22) **Filed:** **Apr. 27, 2001**

(51) **LOC (7) Cl.** ..... **06-04**

(52) **U.S. Cl.** ..... **D6/632; D3/201; D6/407**

(58) **Field of Search** ..... **D3/201, 218; D6/407,**  
**D6/626-635; D19/26, 27, 32; 206/307.1,**  
**308.1, 308.2, 308.3, 309, 311, 312, 387.11,**  
**387.13, 387.15; 369/37, 75.2, 291; 379/355**

(56) **References Cited**

**U.S. PATENT DOCUMENTS**

3,547,342	A	*	12/1970	Smith et al.	
D285,144	S	*	8/1986	Roskvist	D6/632
D323,061	S	*	1/1992	Takahashi et al.	D14/121
D351,963	S	*	11/1994	Lim	D6/631
D387,217	S	*	12/1997	Lakoski et al.	D6/407
5,713,463	A	*	2/1998	Lakoski et al.	206/308.1
D391,437	S	*	3/1998	Moore et al.	D6/634
D401,463	S	*	11/1998	Cheris et al.	D6/634
6,021,894	A	*	2/2000	Lakoski et al.	206/308.1
D421,870	S	*	3/2000	Boucard	D6/627

D431,956	S	*	10/2000	Chouraqui et al.	D6/635
D433,265	S	*	11/2000	Khatemi	D6/634
D434,592	S	*	12/2000	Sankey et al.	D6/634
D435,752	S	*	1/2001	Myszka et al.	D6/632
D438,748	S	*	3/2001	Chang	D6/632
6,216,862	B1	*	4/2001	Chang	206/308.1
D441,590	S	*	5/2001	Hartstone	D6/626
6,227,363	B1	*	5/2001	Lu	206/308.1
D443,169	S	*	6/2001	Sankey et al.	D6/632
D447,663	S	*	9/2001	Myszka et al.	D6/634
D448,599	S	*	10/2001	de Gruchy et al.	D6/632

\* cited by examiner

*Primary Examiner*—Celia Murphy

(74) *Attorney, Agent, or Firm*—Rosenberg, Klein & Lee

(57) **CLAIM**

The ornamental design for a data disk holder, as shown.

**DESCRIPTION**

FIG. 1 is a perspective view of a data disk holder, showing my new design;

FIG. 2 is a front view thereof;

FIG. 3 is a rear view thereof;

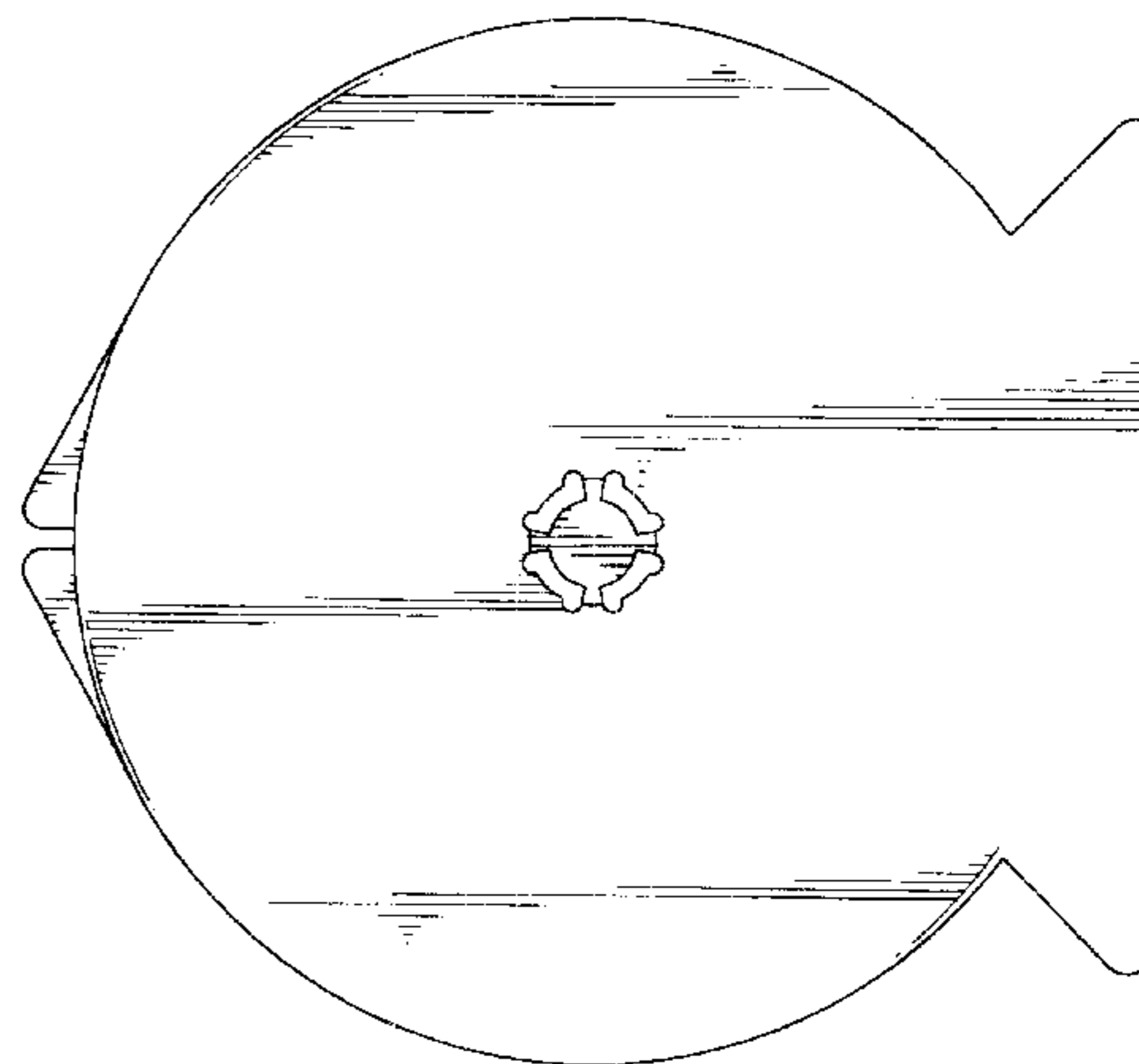
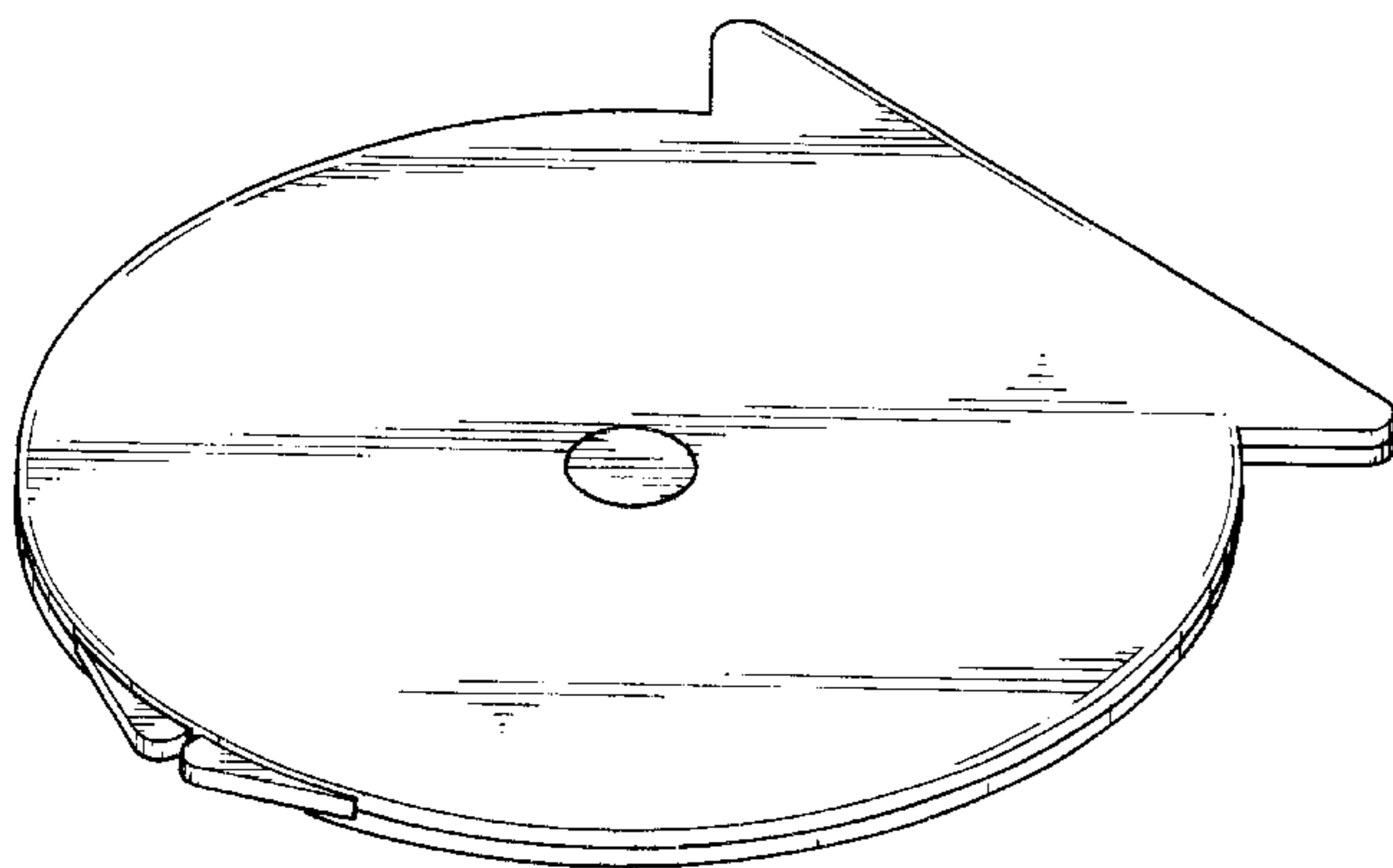
FIG. 4 is a left side view thereof;

FIG. 5 is a right side view thereof;

FIG. 6 is a top plan view thereof; and,

FIG. 7 is a bottom plan view thereof.

**1 Claim, 4 Drawing Sheets**



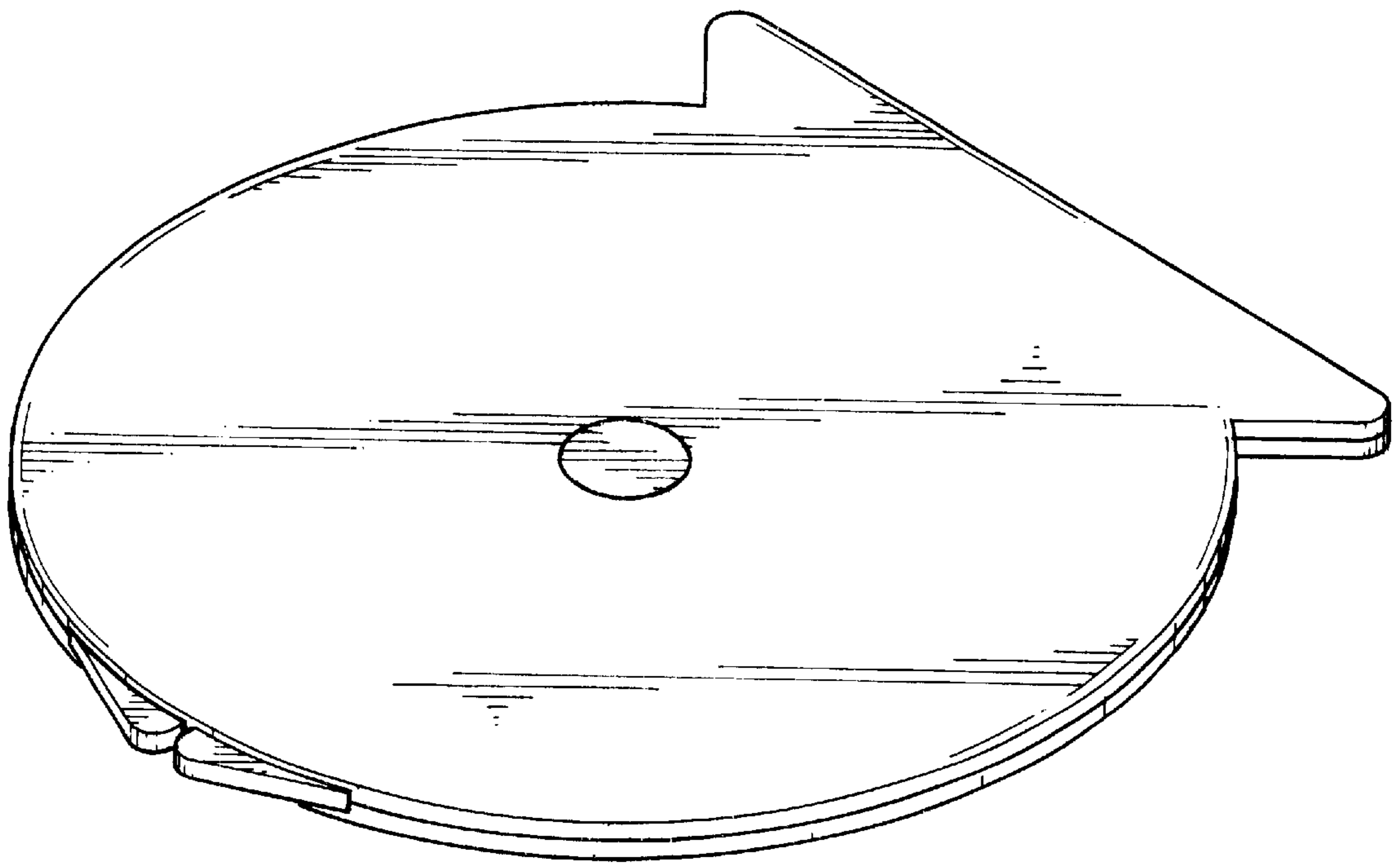


FIG.1

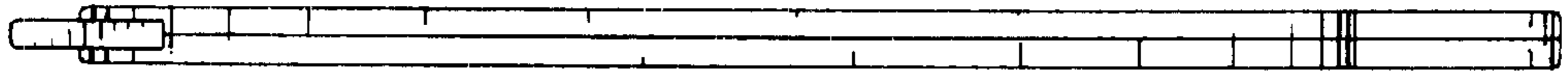


FIG. 2

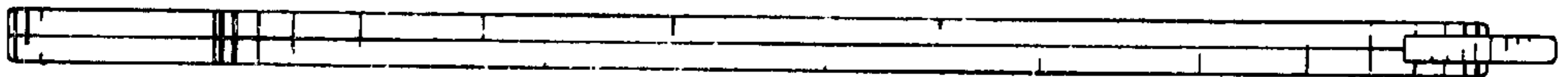


FIG. 3

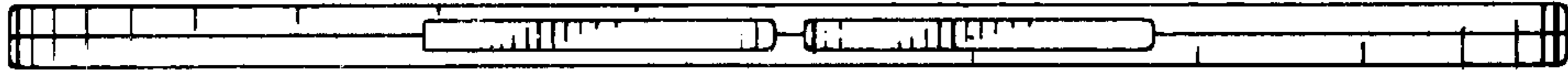


FIG. 4

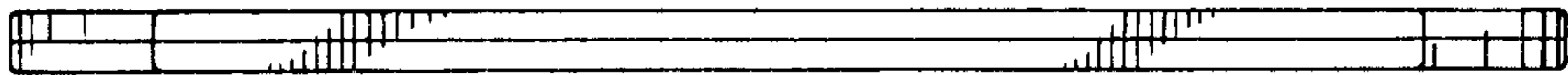


FIG. 5

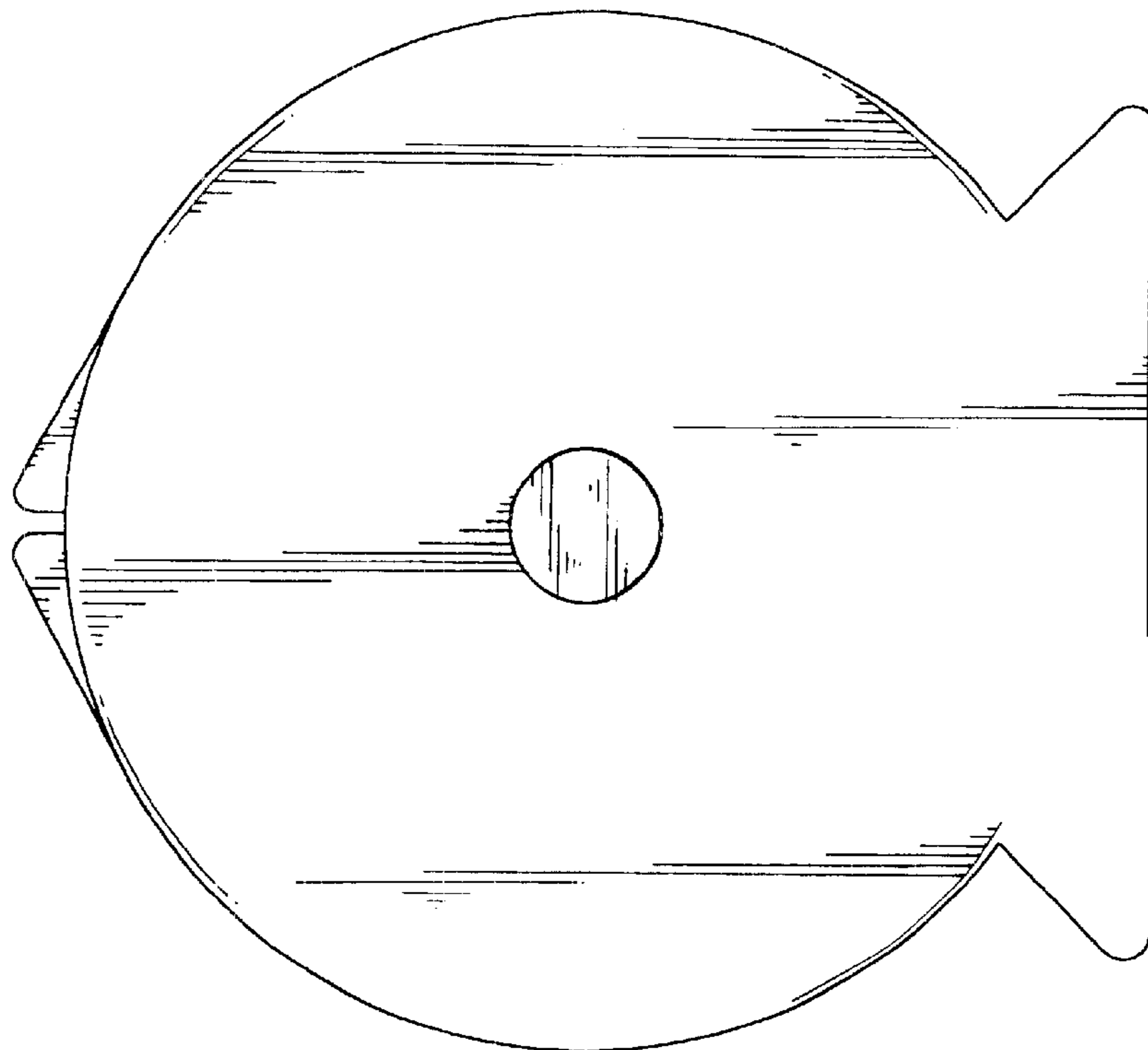


FIG. 6

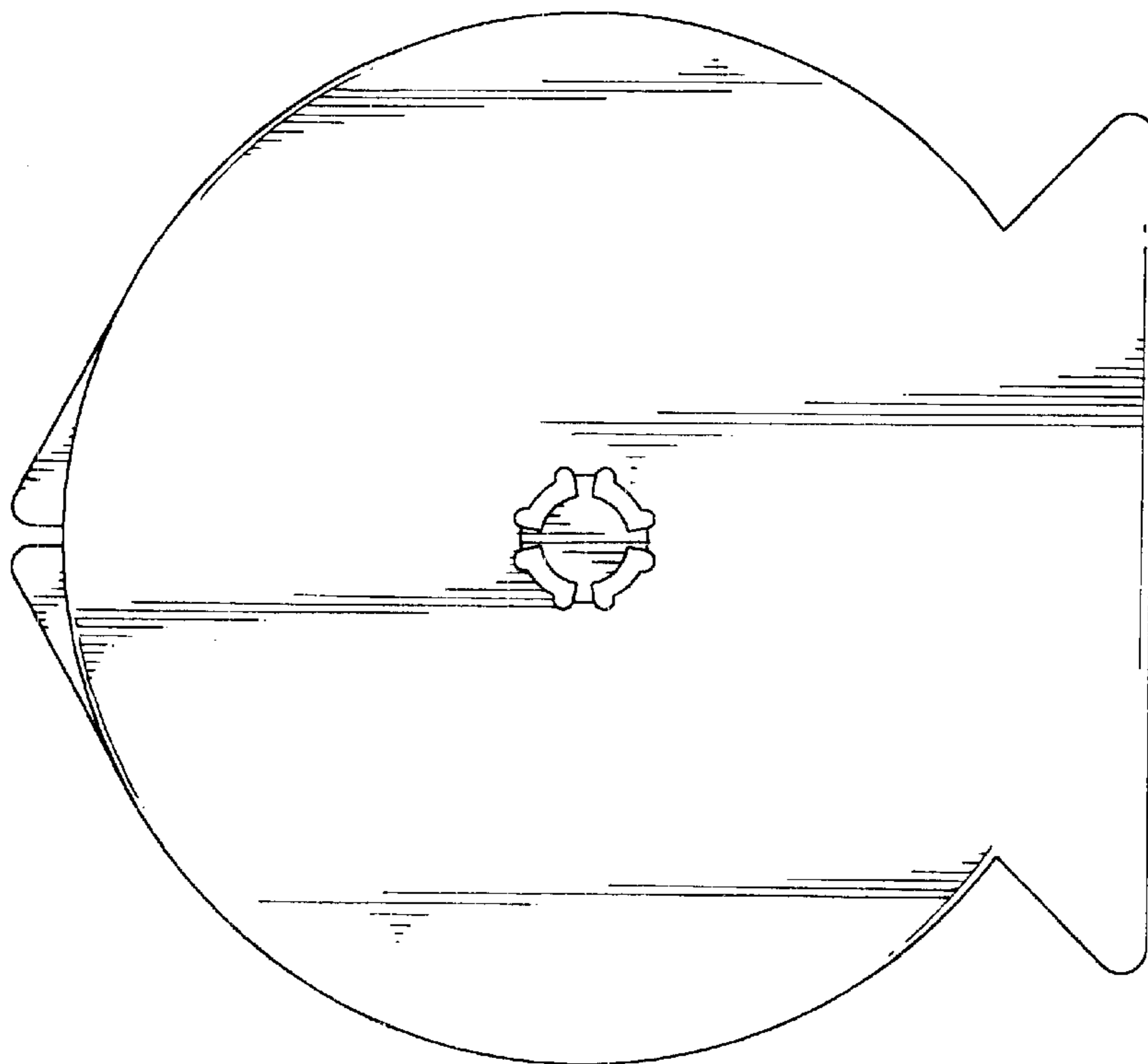


FIG. 7