



US00D455034S

(12) **United States Design Patent**
Ou-Young

(10) **Patent No.:** **US D455,034 S**

(45) **Date of Patent:** **** Apr. 2, 2002**

(54) **TOWEL BAR AND TISSUE HOLDER**

(75) Inventor: **Ming Ou-Young, Tai Chung (TW)**

(73) Assignee: **Globe Union America Corporation,**
Bolingbrook, IL (US)

(**) Term: **14 Years**

(21) Appl. No.: **29/136,926**

(22) Filed: **Feb. 9, 2001**

(51) **LOC (7) Cl.** **23-02**

(52) **U.S. Cl.** **D6/524; D6/523; D6/549**

(58) **Field of Search** D6/546-50, 518,
D6/522-24; D8/300, 307-308, 315-21;
108/28-29; 211/13.1, 16, 60.1, 86.01, 87.01,
88.04, 100, 105.1-105.2, 123, 181.1, 182;
242/570, 590, 595, 597-98; 248/175, 176.1,
251, 302; 16/110.1, 412, 415

(56) **References Cited**

U.S. PATENT DOCUMENTS

- 2,956,767 A * 10/1960 Unetic D6/549 X
- D190,161 S * 4/1961 Hillgren D6/549
- D251,462 S 4/1979 Tegner
- D298,895 S 12/1988 Sharpe

- D312,935 S 12/1990 Chap et al.
- D317,691 S 6/1991 Wang
- D334,315 S * 3/1993 Bengtson D6/524
- D388,272 S * 12/1997 Moore D6/549
- D432,843 S 10/2000 Gastelum et al.

* cited by examiner

Primary Examiner—Brian N. Vinson

(74) *Attorney, Agent, or Firm*—Brinks Hofer Gilson & Lione

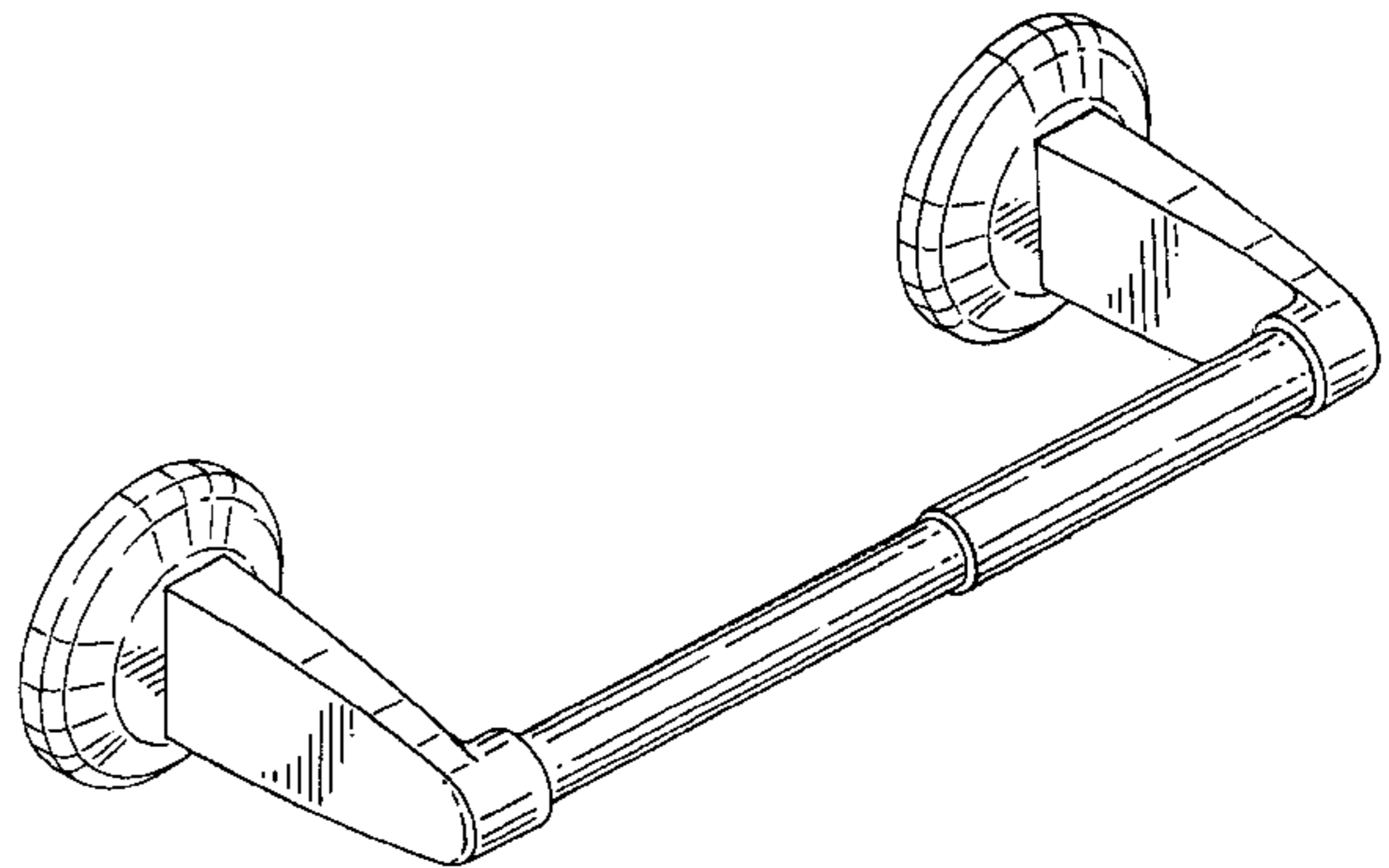
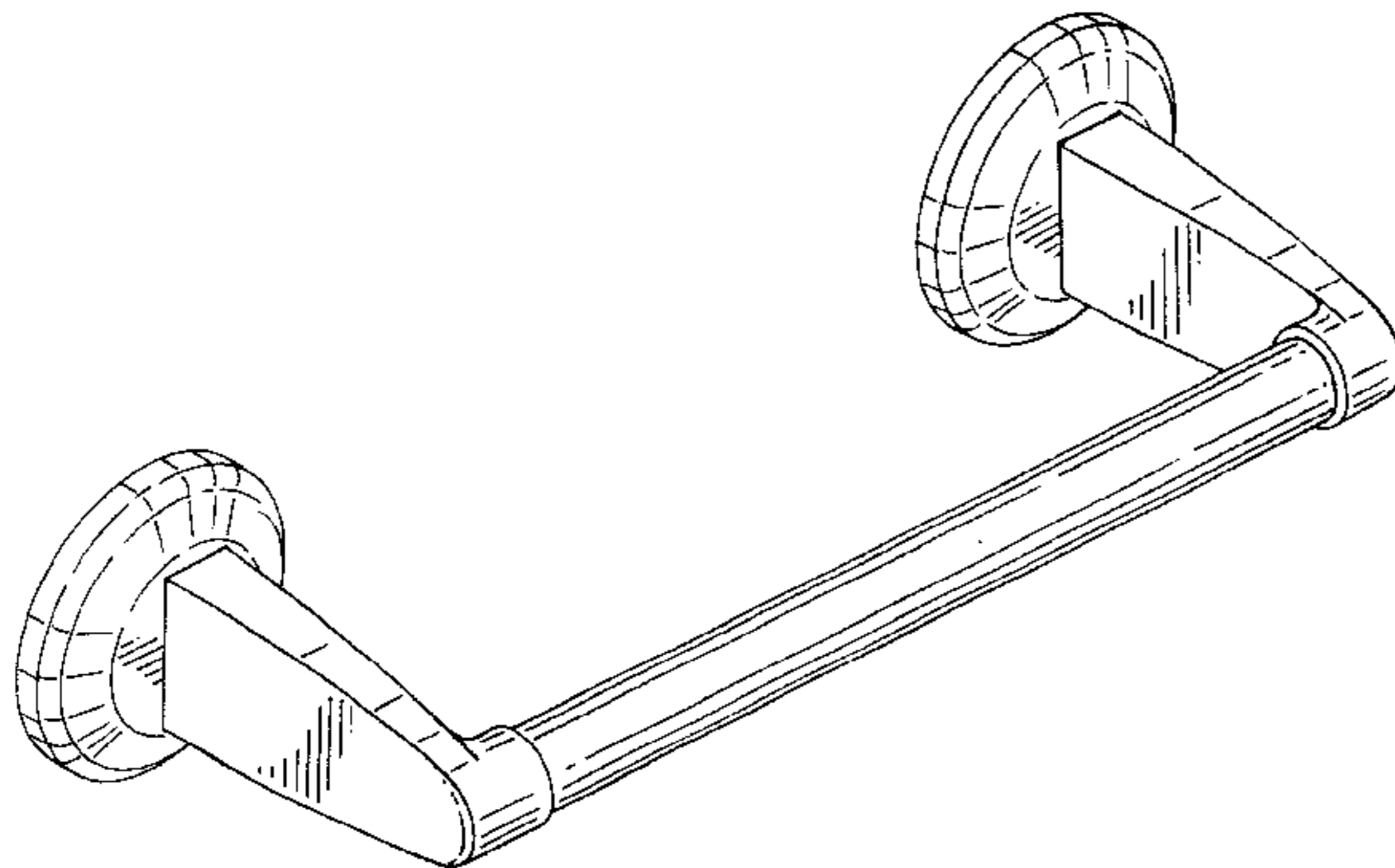
(57) **CLAIM**

The ornamental design for a towel bar and tissue holder, as shown and described.

DESCRIPTION

- FIG. 1 is a perspective view showing our new design.
- FIG. 2 is a front view thereof.
- FIG. 3 is a top view thereof.
- FIG. 4 is a side view thereof.
- FIG. 5 is a back view thereof.
- FIG. 6 is a perspective view showing a second embodiment of our new design.
- FIG. 7 is a top view thereof; and,
- FIG. 8 is a front view thereof.

1 Claim, 2 Drawing Sheets



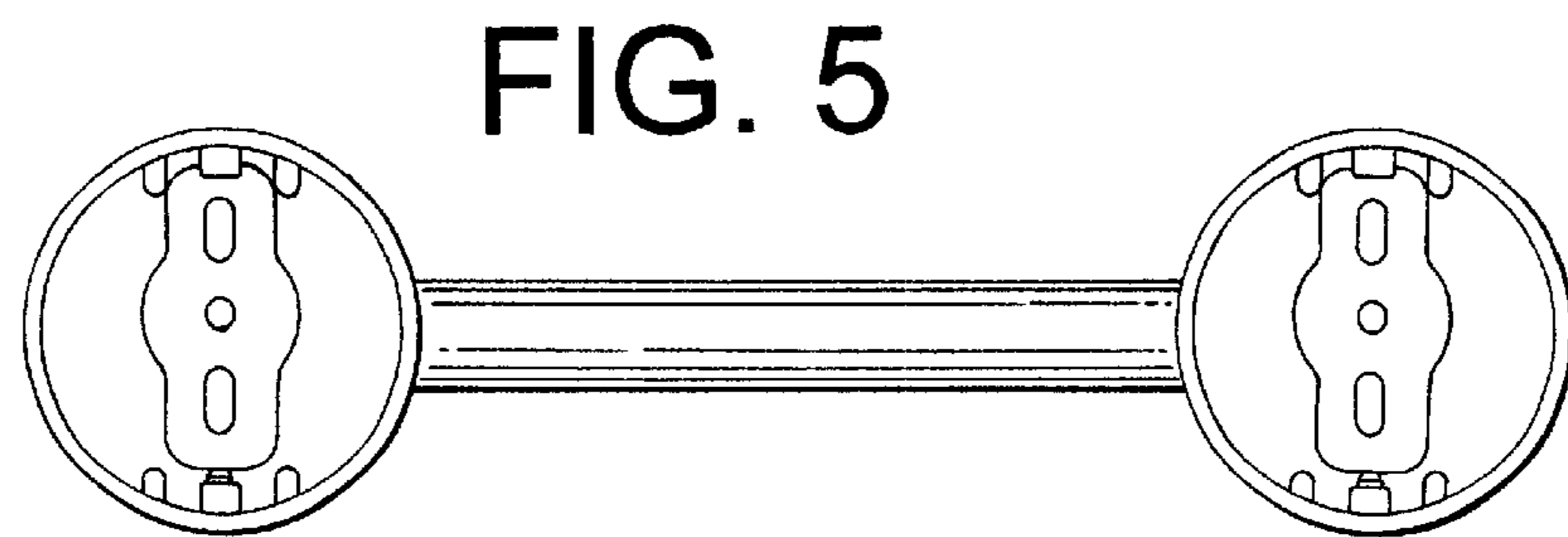
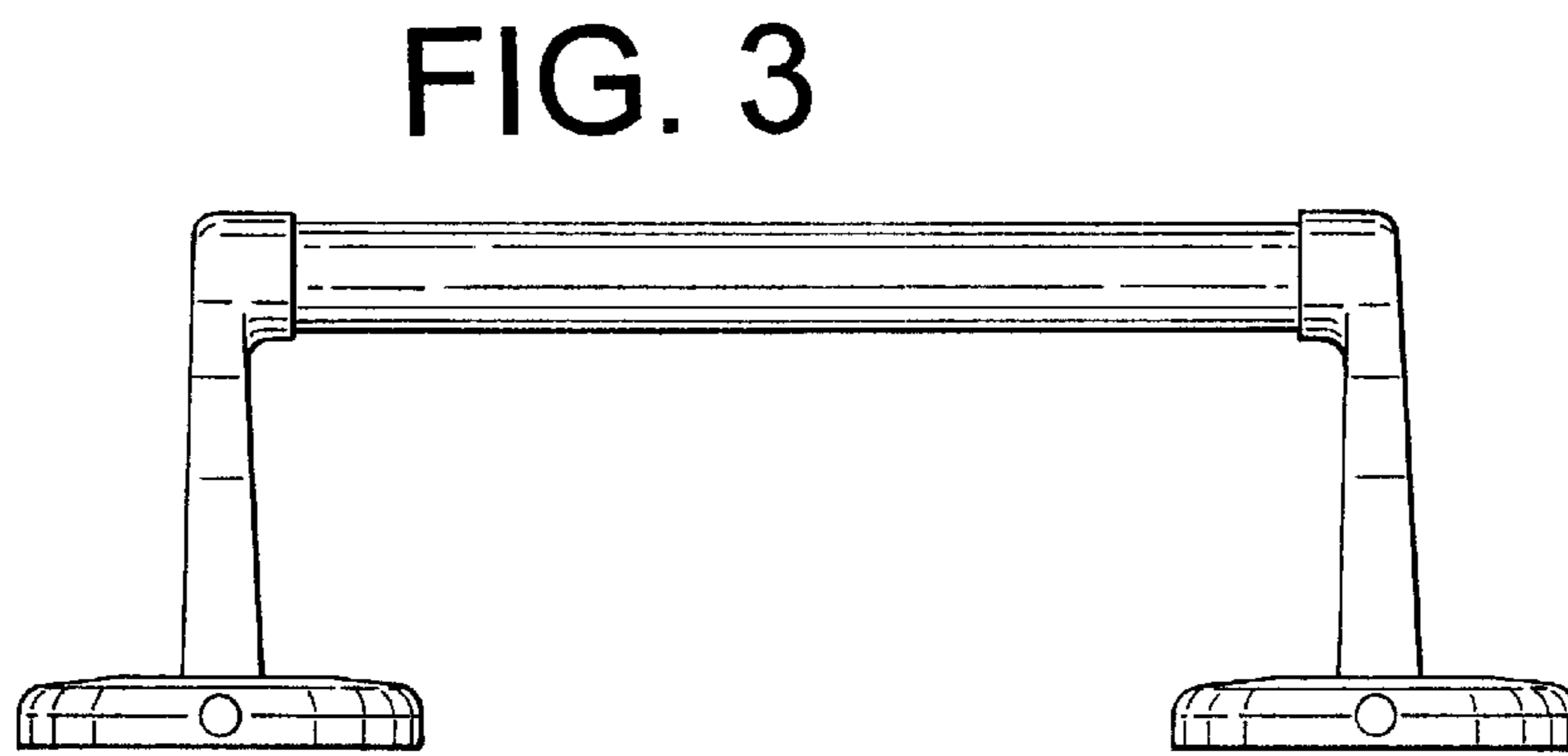
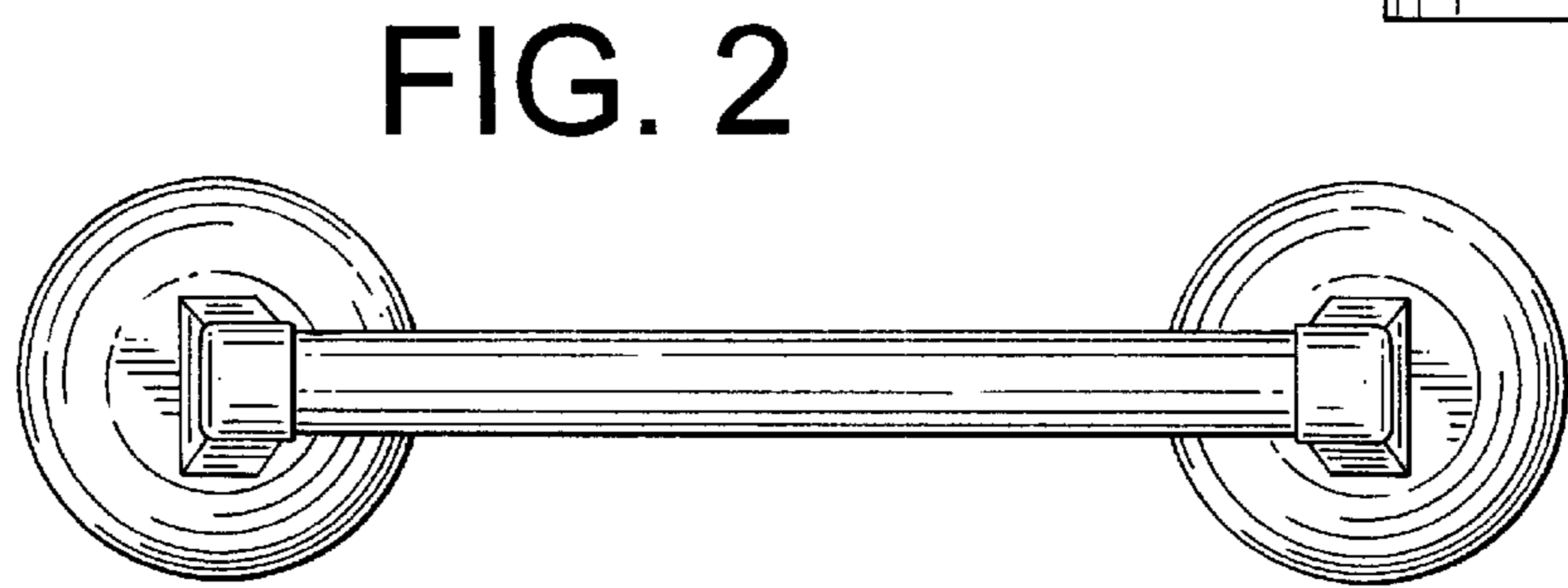
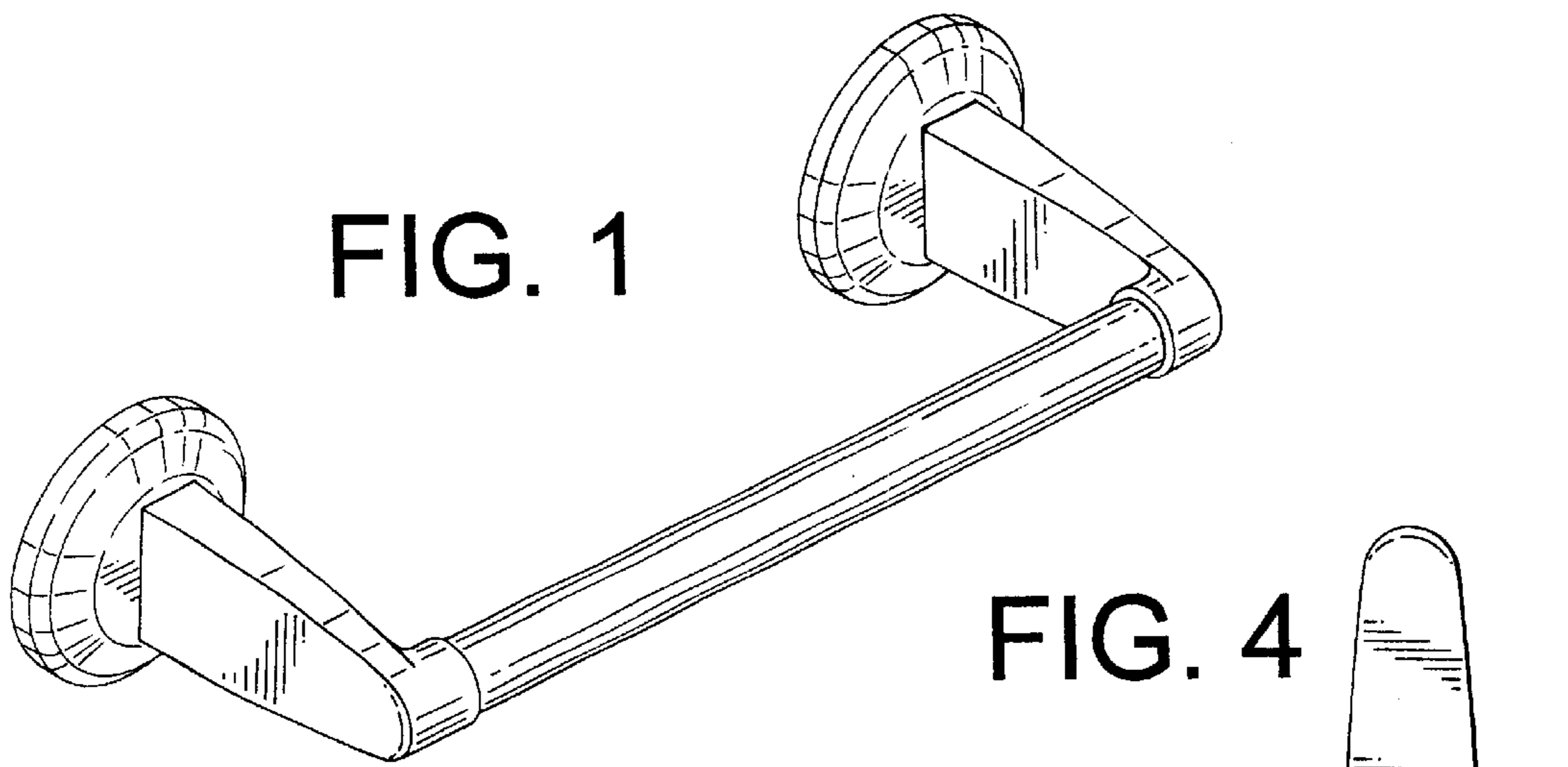


FIG. 6

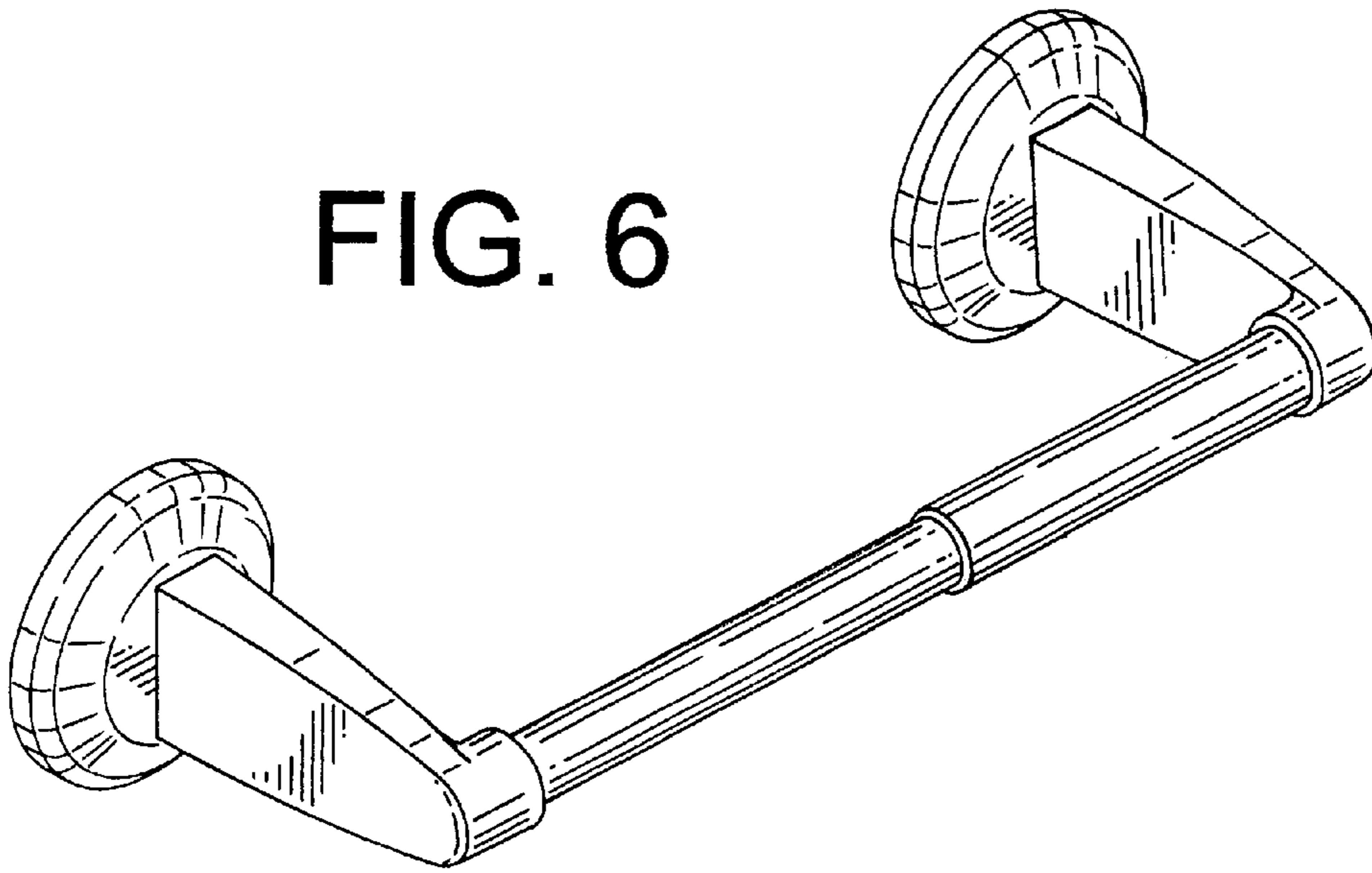


FIG. 7

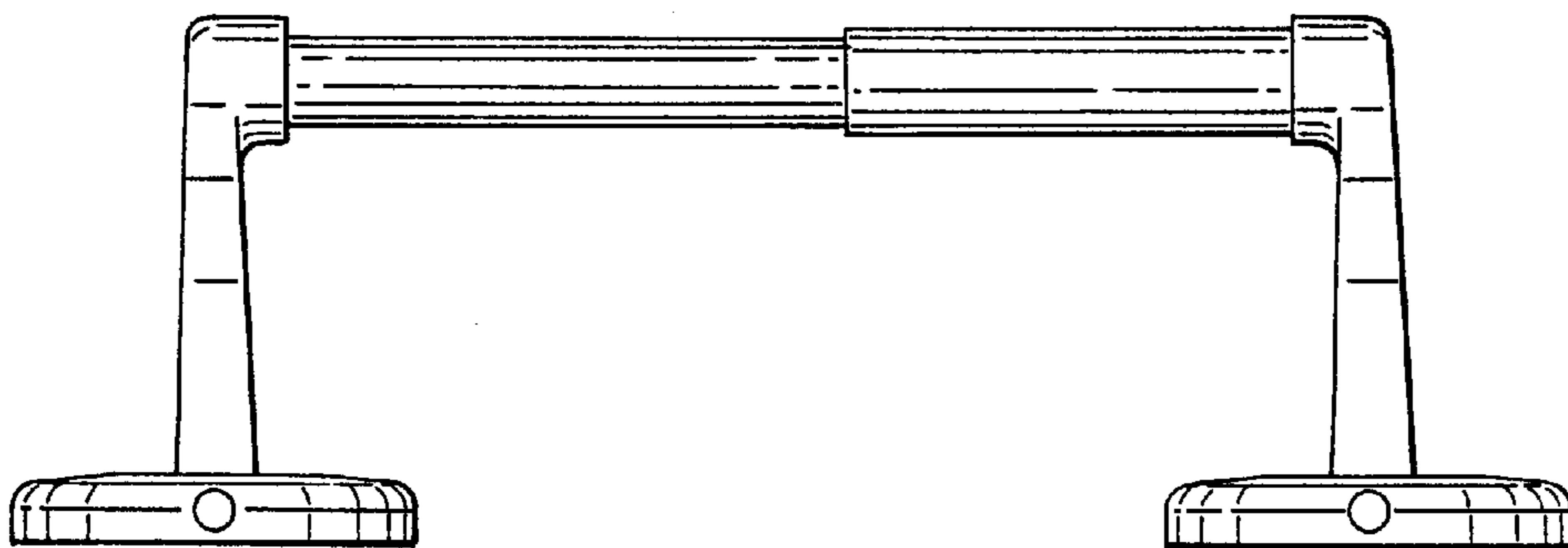
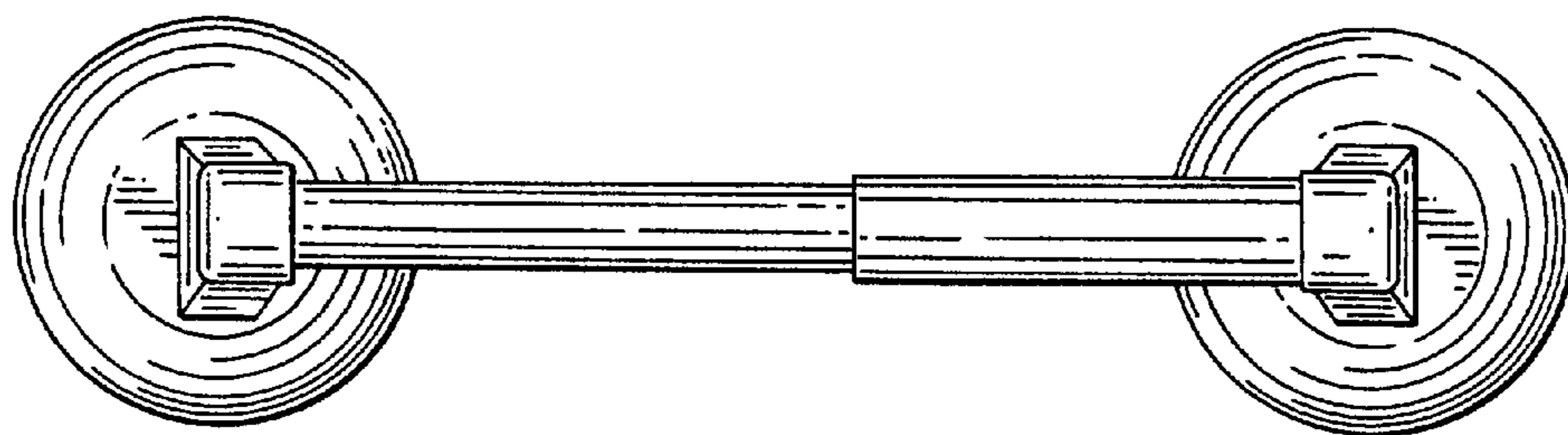


FIG. 8



UNITED STATES PATENT AND TRADEMARK OFFICE
CERTIFICATE OF CORRECTION

PATENT NO. : Des. 455,034 S
DATED : April 2, 2002
INVENTOR(S) : Chung-Fang Chen

Page 1 of 1

It is certified that error appears in the above-identified patent and that said Letters Patent is hereby corrected as shown below:

Title page,

Item [12], delete “**Ou-Young**” and substitute -- **Chen** -- in its place.

Item [75], delete “**Ming Ou-Young,**” and substitute -- **Chung-Fang Chen,** -- in its place.

Signed and Sealed this

Seventh Day of January, 2003

A handwritten signature in black ink, appearing to read "James E. Rogan", written over a horizontal line.

JAMES E. ROGAN

Director of the United States Patent and Trademark Office