



US00D455033S

(12) **United States Design Patent**  
**Ullman**

(10) **Patent No.:** **US D455,033 S**

(45) **Date of Patent:** **\*\* Apr. 2, 2002**

(54) **TABLE TOP**

(76) Inventor: **Johan Ullman**, Johannebergsgatan 30,  
41255 Göteborg (SE)

(\*\*) Term: **14 Years**

(21) Appl. No.: **29/137,493**

(22) Filed: **Feb. 23, 2001**

(30) **Foreign Application Priority Data**

Aug. 23, 2000 (SE) ..... 00-1530

(51) **LOC (7) Cl.** ..... **06-06**

(52) **U.S. Cl.** ..... **D6/511**

(58) **Field of Search** ..... D6/480-489, 511,  
D6/423, 427; 108/153.1, 156, 157.1, 161;  
312/140.3, 194, 195

(56) **References Cited**

U.S. PATENT DOCUMENTS

D367,774 S \* 3/1996 Wood, Jr. .... D6/422

D403,904 S \* 1/1999 Machael et al. .... D6/511

D421,533 S \* 3/2000 Lininger, Jr. et al. .... D6/423

D430,763 S \* 9/2000 Scheffer ..... D6/509

\* cited by examiner

*Primary Examiner*—Janice E. Seeger

(74) *Attorney, Agent, or Firm*—Burns, Doane, Swecker &  
Mathis, L.L.P.

(57) **CLAIM**

The ornamental design for a table top, as shown and  
described.

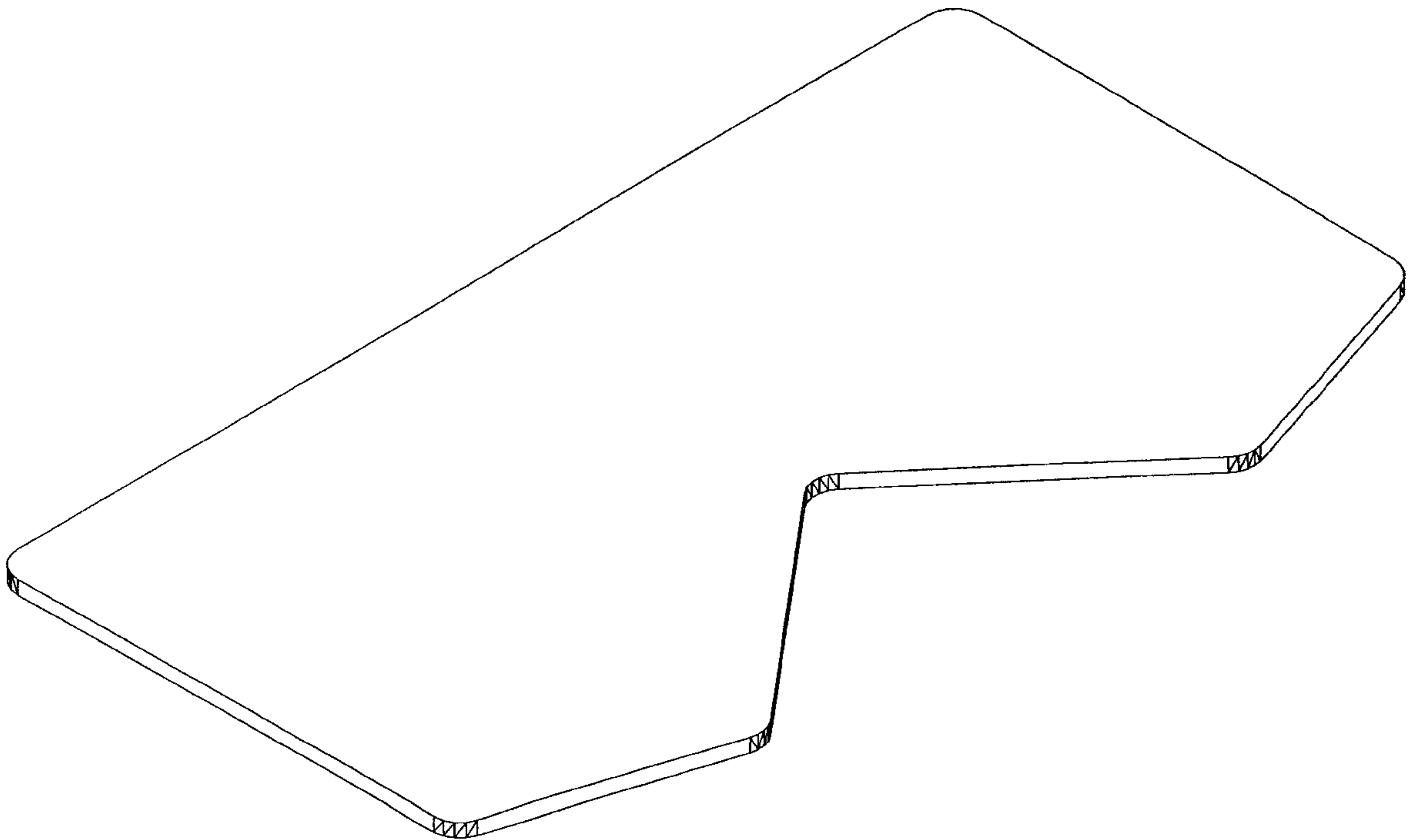
**DESCRIPTION**

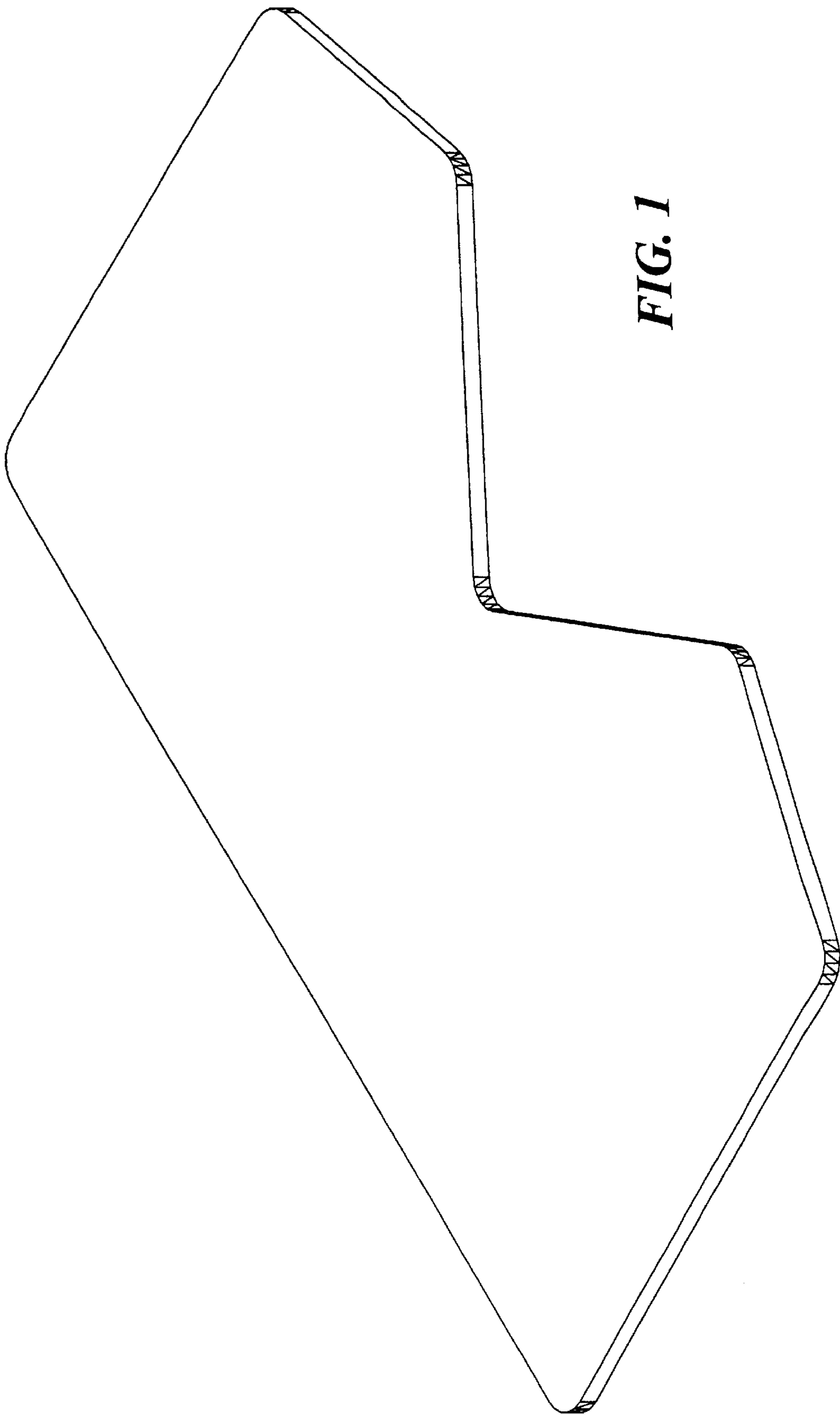
FIG. 1 is a top, front, left end perspective view of a table top  
showing my new design;

FIG. 2 is a top, rear, right end perspective view thereof; and,

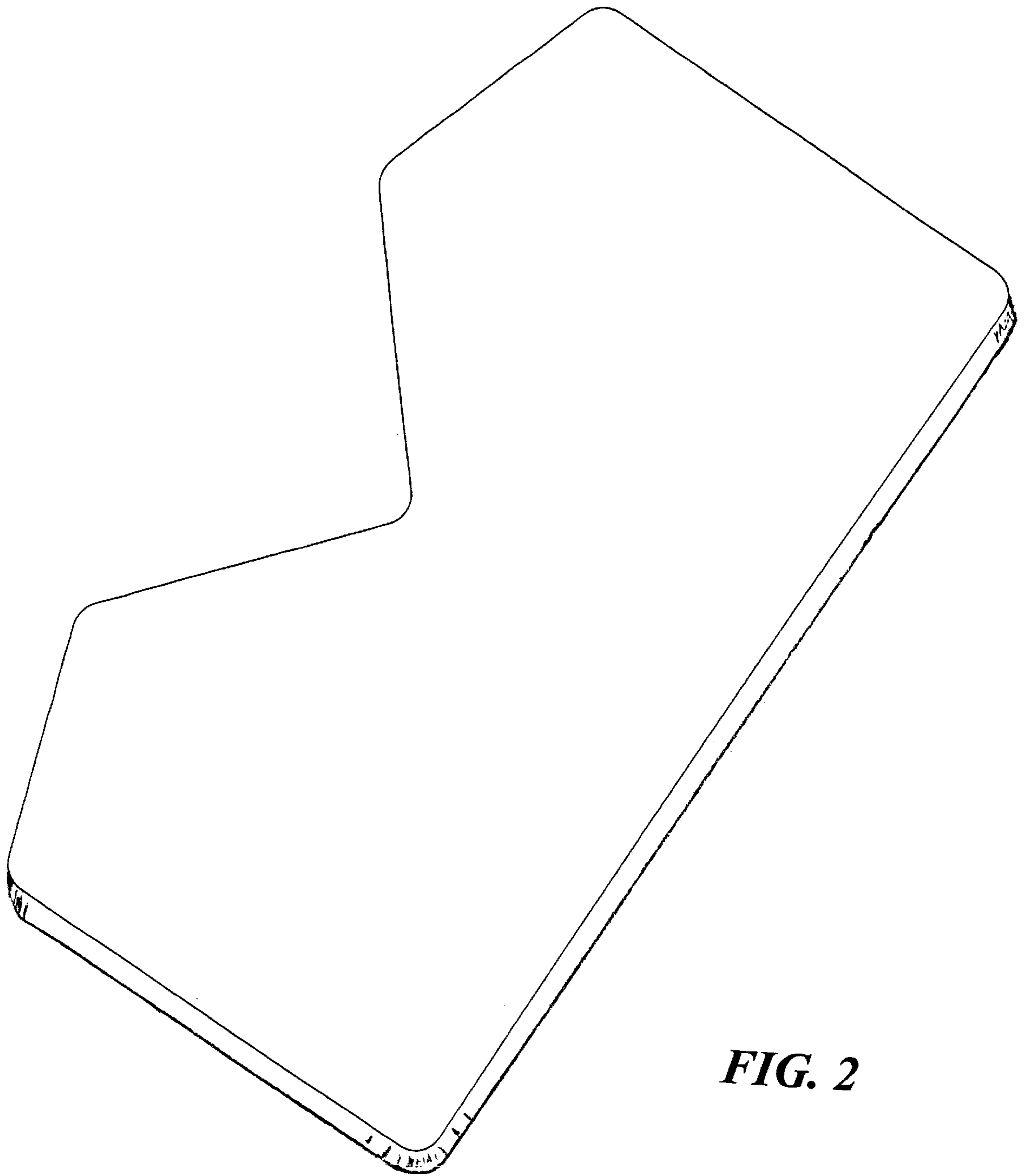
FIG. 3 is a top plan view thereof, the bottom view being a  
mirror image thereof.

**1 Claim, 3 Drawing Sheets**





**FIG. 1**



**FIG. 2**

***FIG. 3***

