



US00D455029S

(12) **United States Design Patent**
Gusdorf

(10) **Patent No.:** **US D455,029 S**

(45) **Date of Patent:** **** Apr. 2, 2002**

(54) **STACKABLE WIRE TELEPHONE RACK**

(75) **Inventor:** **John Gusdorf, St. Louis, MO (US)**

(73) **Assignee:** **John Gusdorf & Assoc. Ltd., St. Louis, MO (US)**

(**) **Term:** **14 Years**

(21) **Appl. No.:** **29/129,619**

(22) **Filed:** **Sep. 19, 2000**

(51) **LOC (7) Cl.** **06-04**

(52) **U.S. Cl.** **D6/462; D6/475**

(58) **Field of Search** D6/343, 397, 409-415, D6/458, 462-468, 477, 479, 475, 455, 456, 546; 108/50.11, 59, 91, 92, 93; 211/13.1, 37, 38, 85.3, 85.4, 30, 34, 42, 49.1, 90.03, 106, 119, 134, 186-189, 181.1, 200, 204-208; 248/441.1, 465.1, 175, 451, 124.1, 448

(56) **References Cited**

U.S. PATENT DOCUMENTS

- 3,121,496 A * 2/1964 Brunette 108/91 X
- 4,538,739 A * 9/1985 Licari et al. 211/189
- D286,117 S * 10/1986 Wellington D6/462 X
- D295,984 S * 5/1988 Currie D6/462 X
- 5,035,335 A 7/1991 Massoudnia
- 5,074,223 A * 12/1991 Remmers 108/91
- D326,946 S * 6/1992 Szuster D6/465 X
- 5,152,407 A 10/1992 Massoudnia

- D369,037 S * 4/1996 Wyatt et al. D6/465
- D382,133 S * 8/1997 Messina et al. D6/409
- D385,131 S * 10/1997 Lopez D6/462
- 6,032,965 A * 3/2000 Sabounjian 280/47.35
- 6,039,422 A * 3/2000 Butters et al. 211/181.1 X

* cited by examiner

Primary Examiner—Cathron C. Brooks

(74) *Attorney, Agent, or Firm*—Paul M. Denk

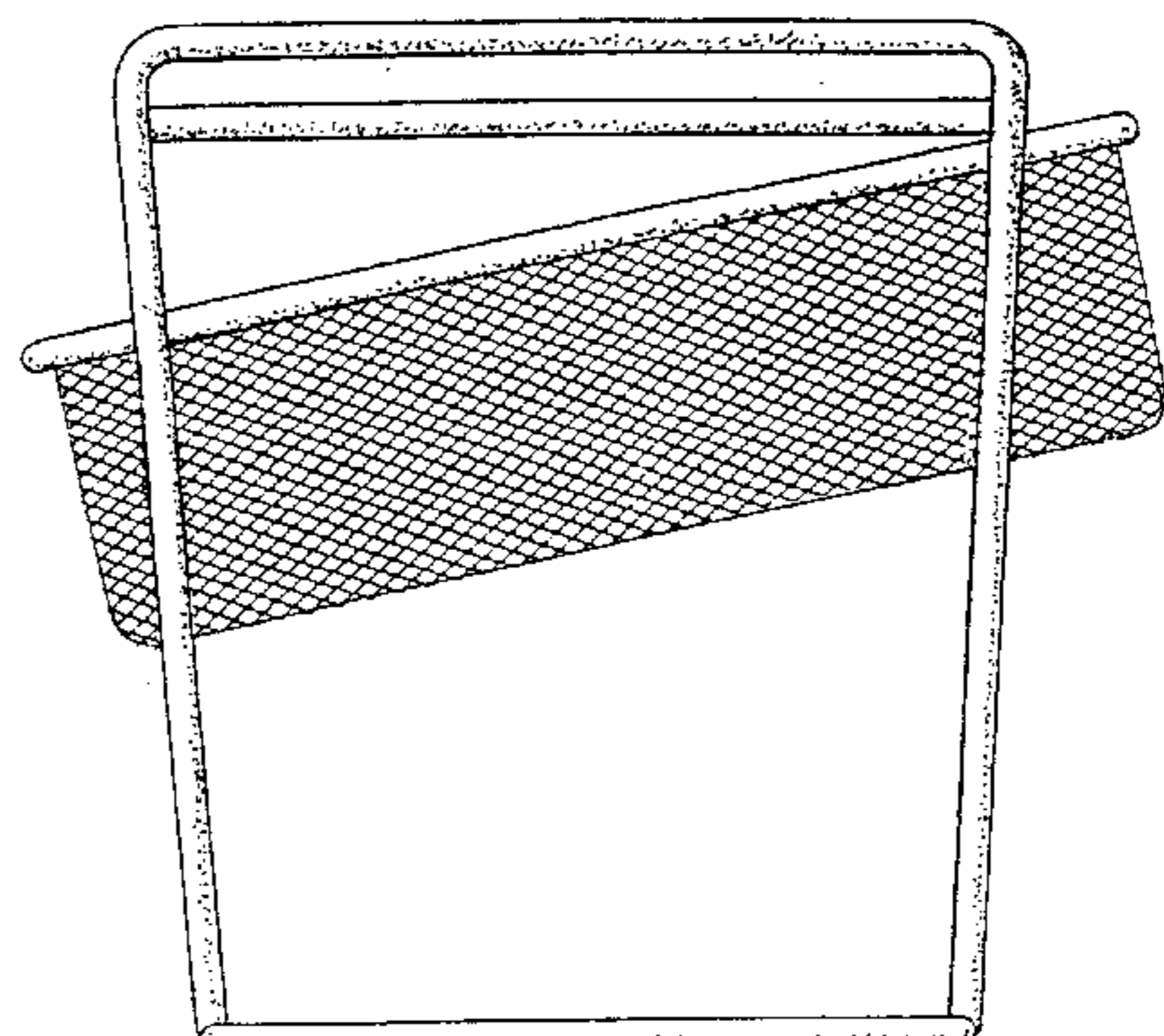
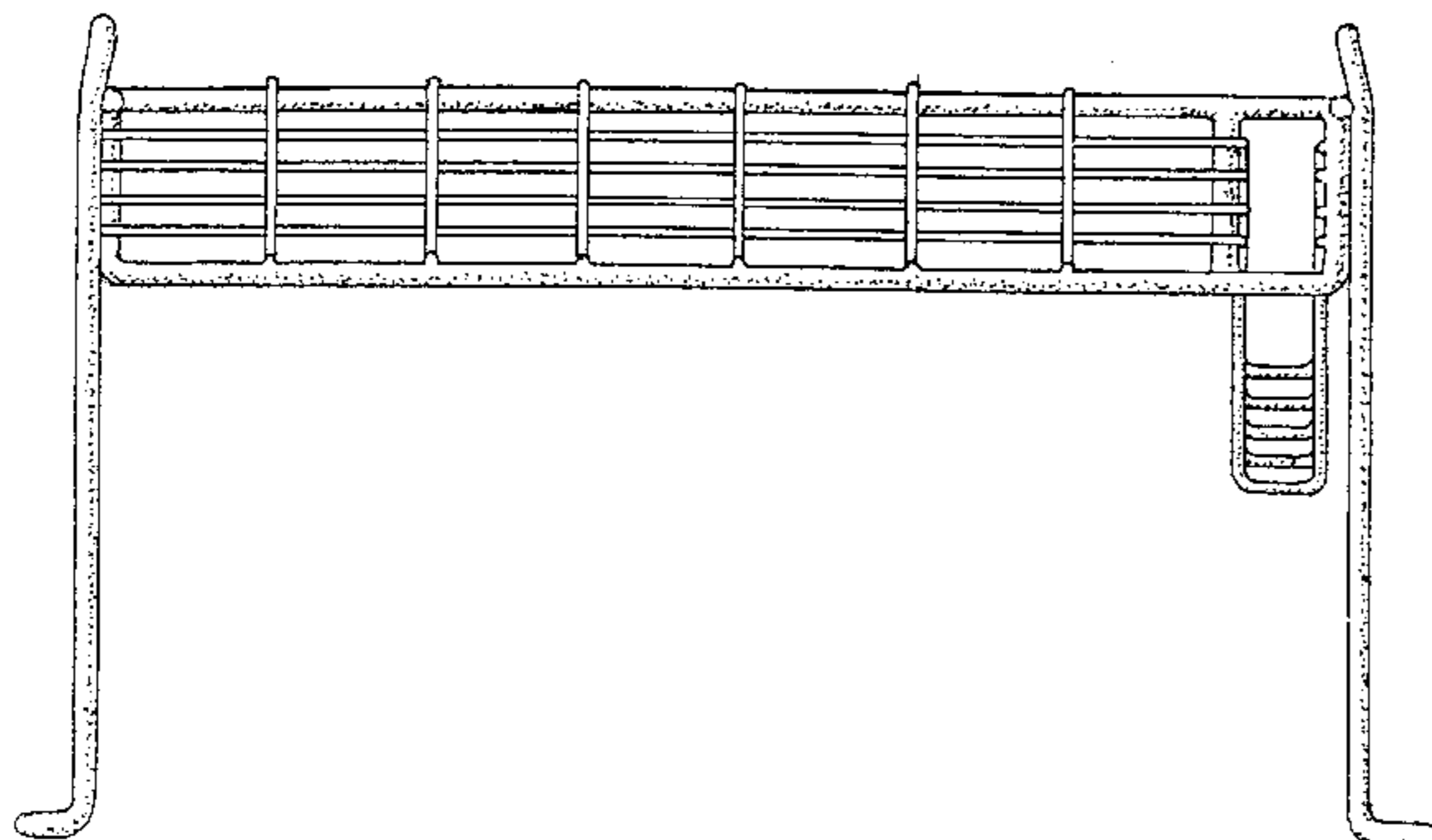
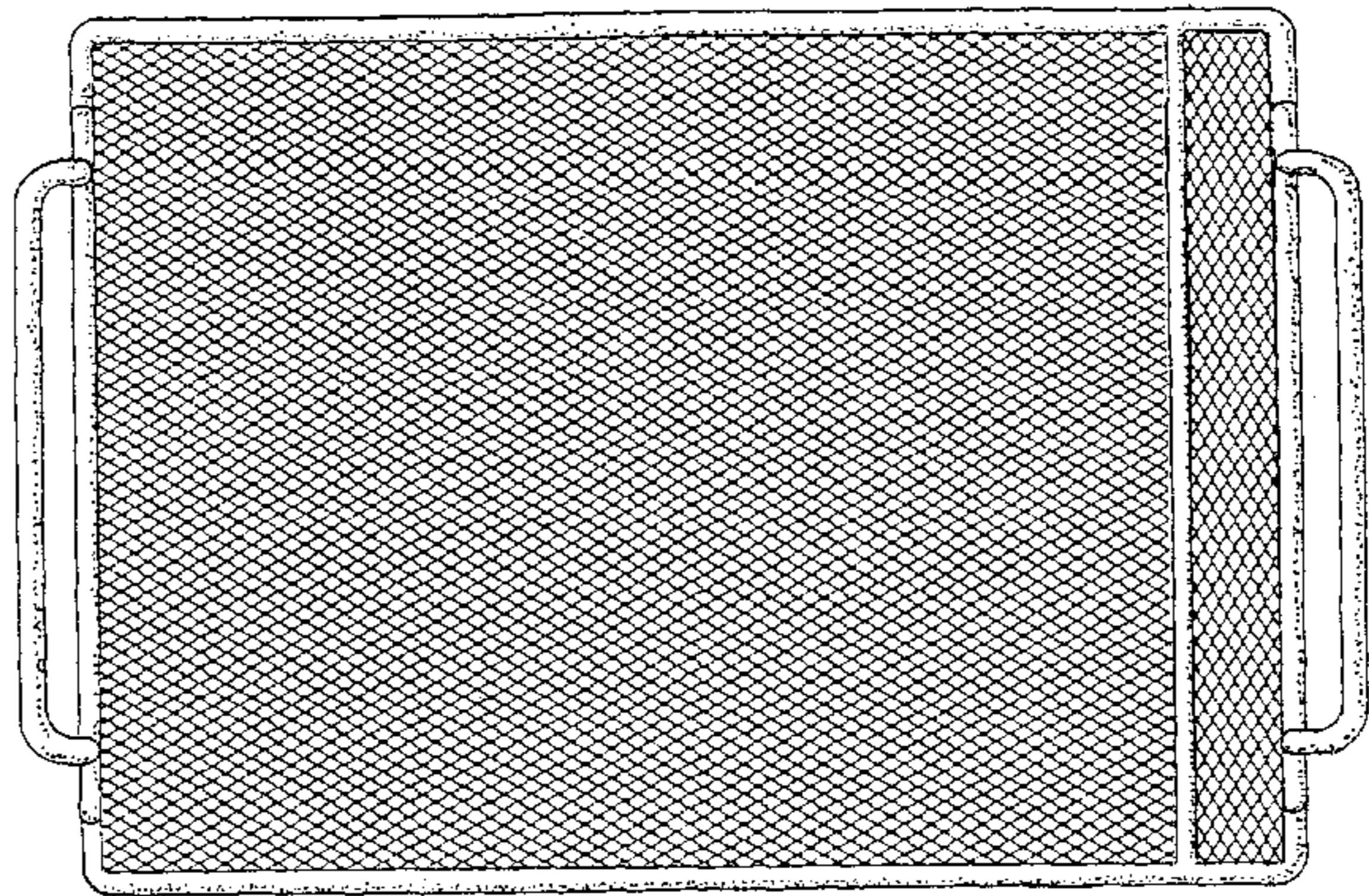
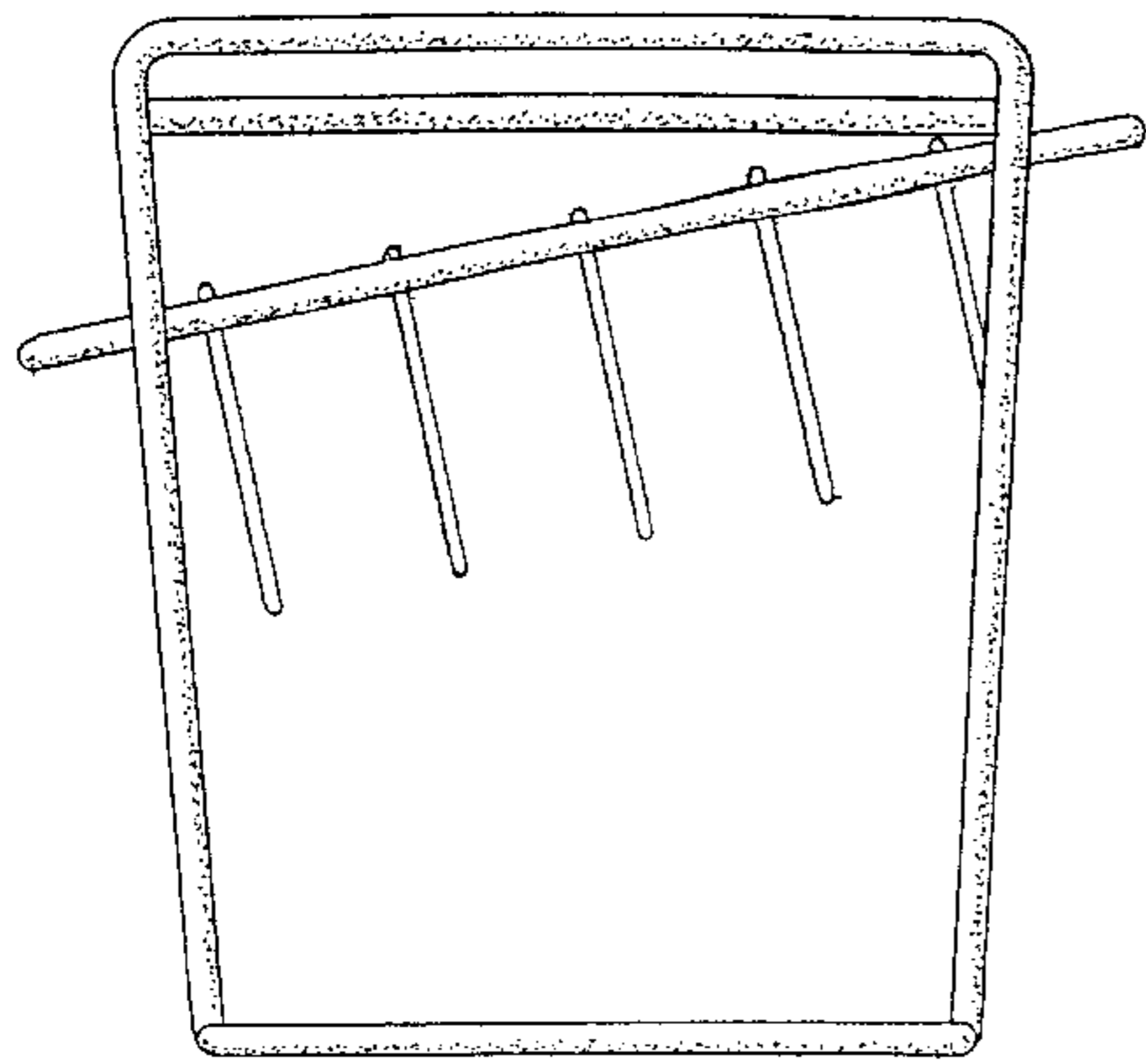
(57) **CLAIM**

The ornamental design for the stackable wire telephone rack, as shown and described.

DESCRIPTION

FIG. 1 is a top plan view of a first embodiment of the stackable wire telephone rack of this invention;
 FIG. 2 is a bottom view thereof;
 FIG. 3 is a right side view;
 FIG. 4 is a left side view;
 FIG. 5 is a front view thereof;
 FIG. 6 is a back view thereof;
 FIG. 7 is a bottom view of a second embodiment of a modified stackable wire rack of this invention;
 FIG. 8 is a top plan view thereof;
 FIG. 9 is a right side view;
 FIG. 10 is a left side view;
 FIG. 11 is a front view thereof; and,
 FIG. 12 is a back view thereof.

1 Claim, 6 Drawing Sheets



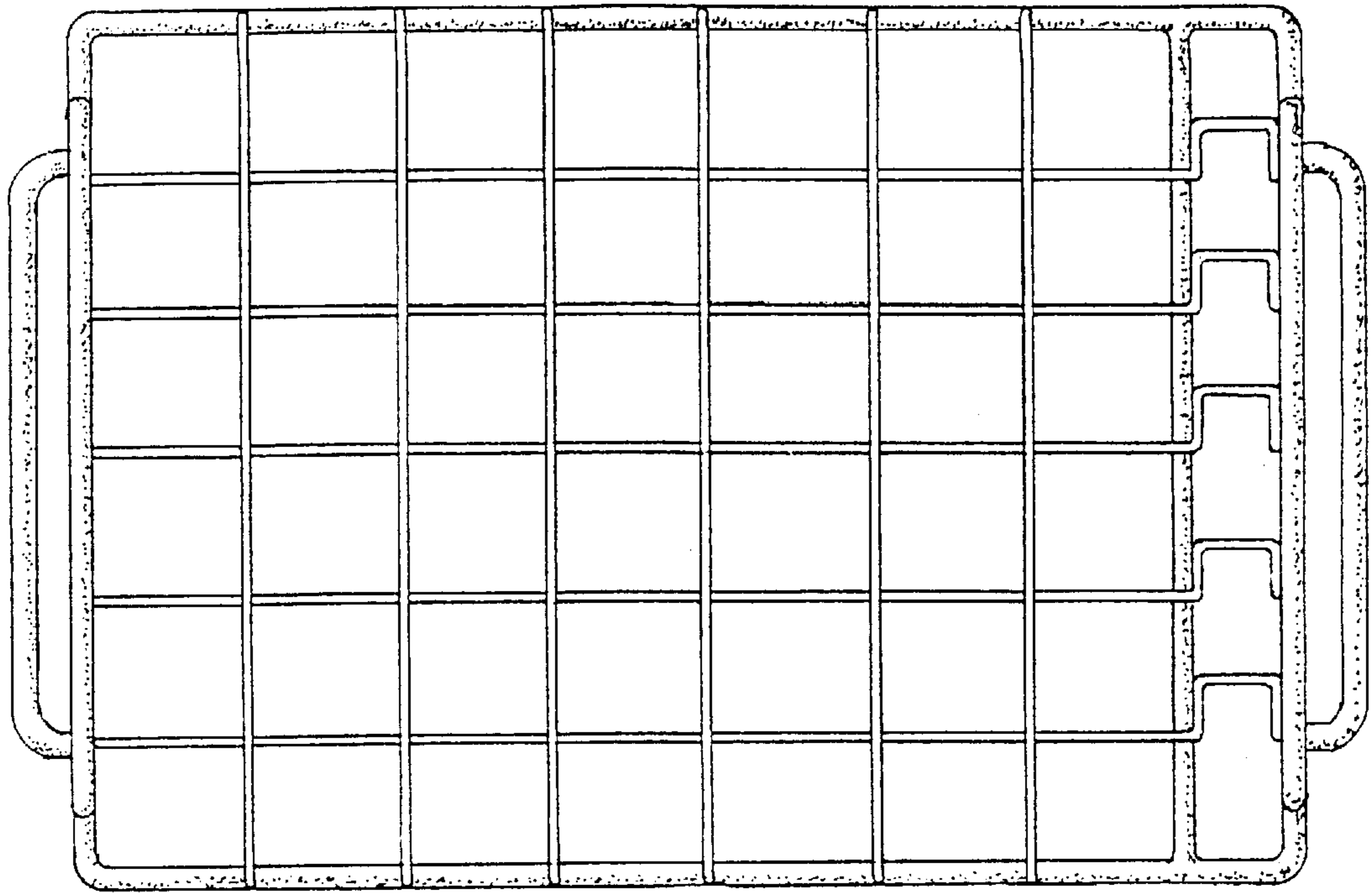


FIG. 1

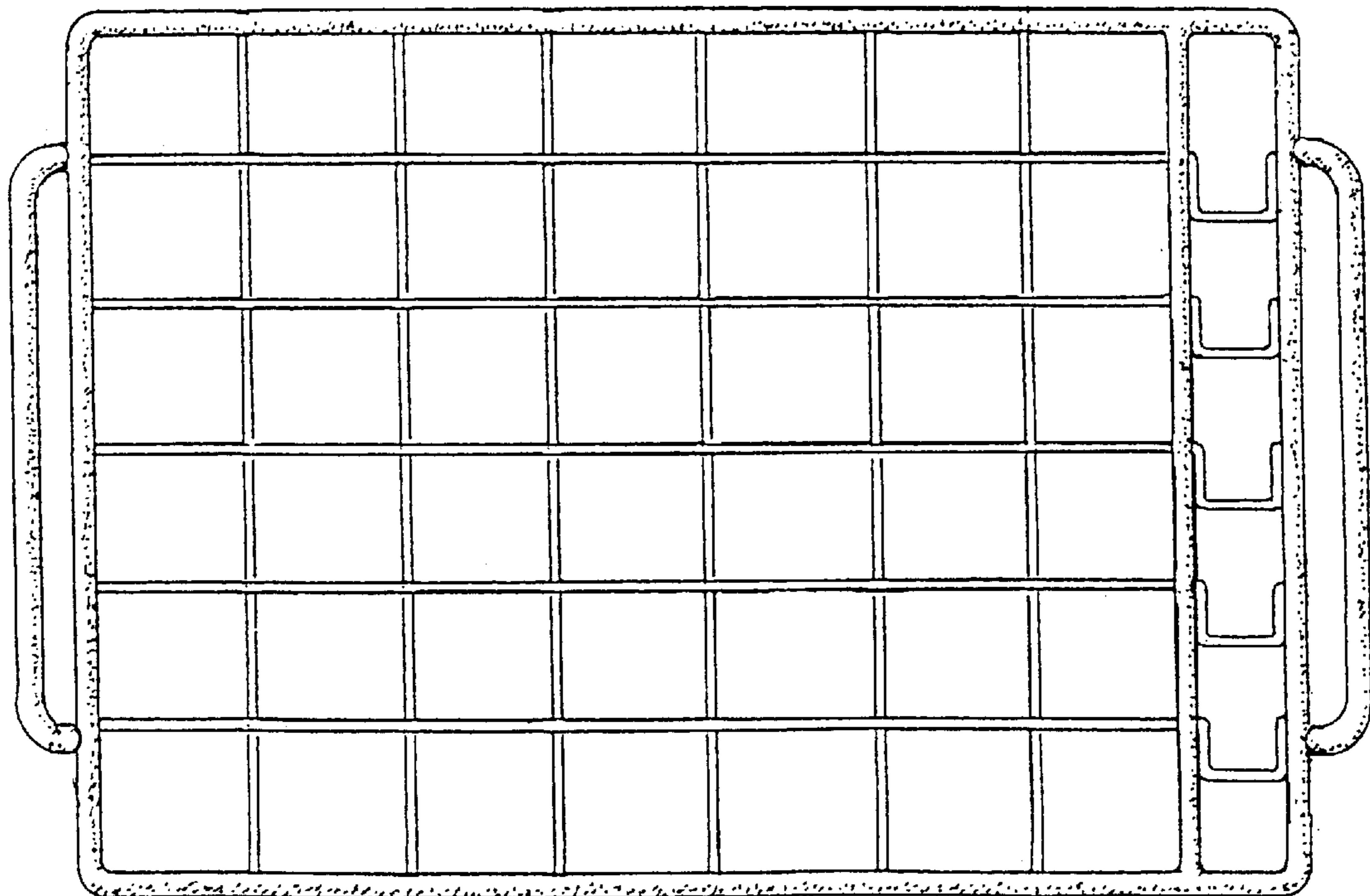


FIG. 2

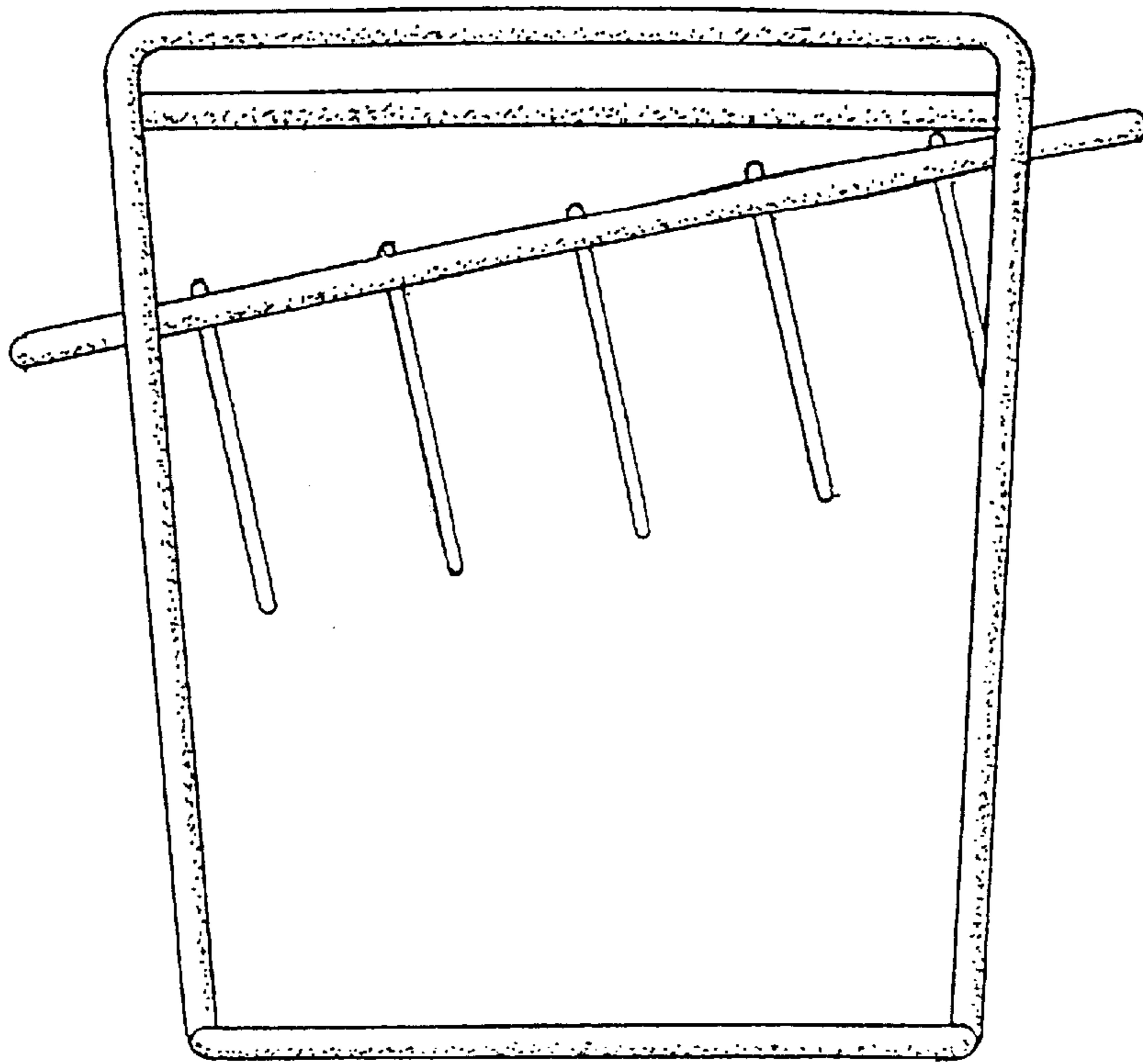


FIG. 3

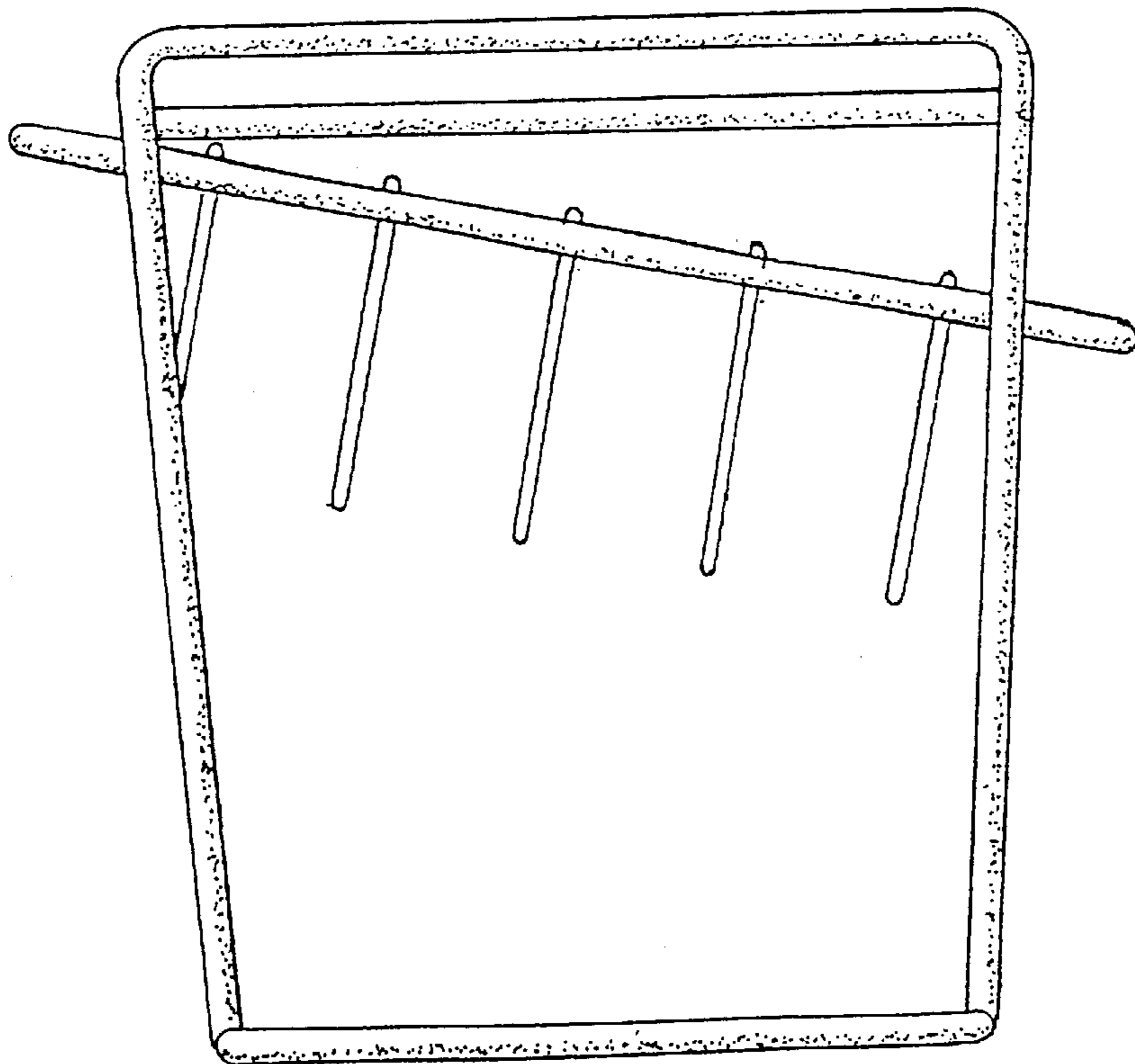


FIG. 4

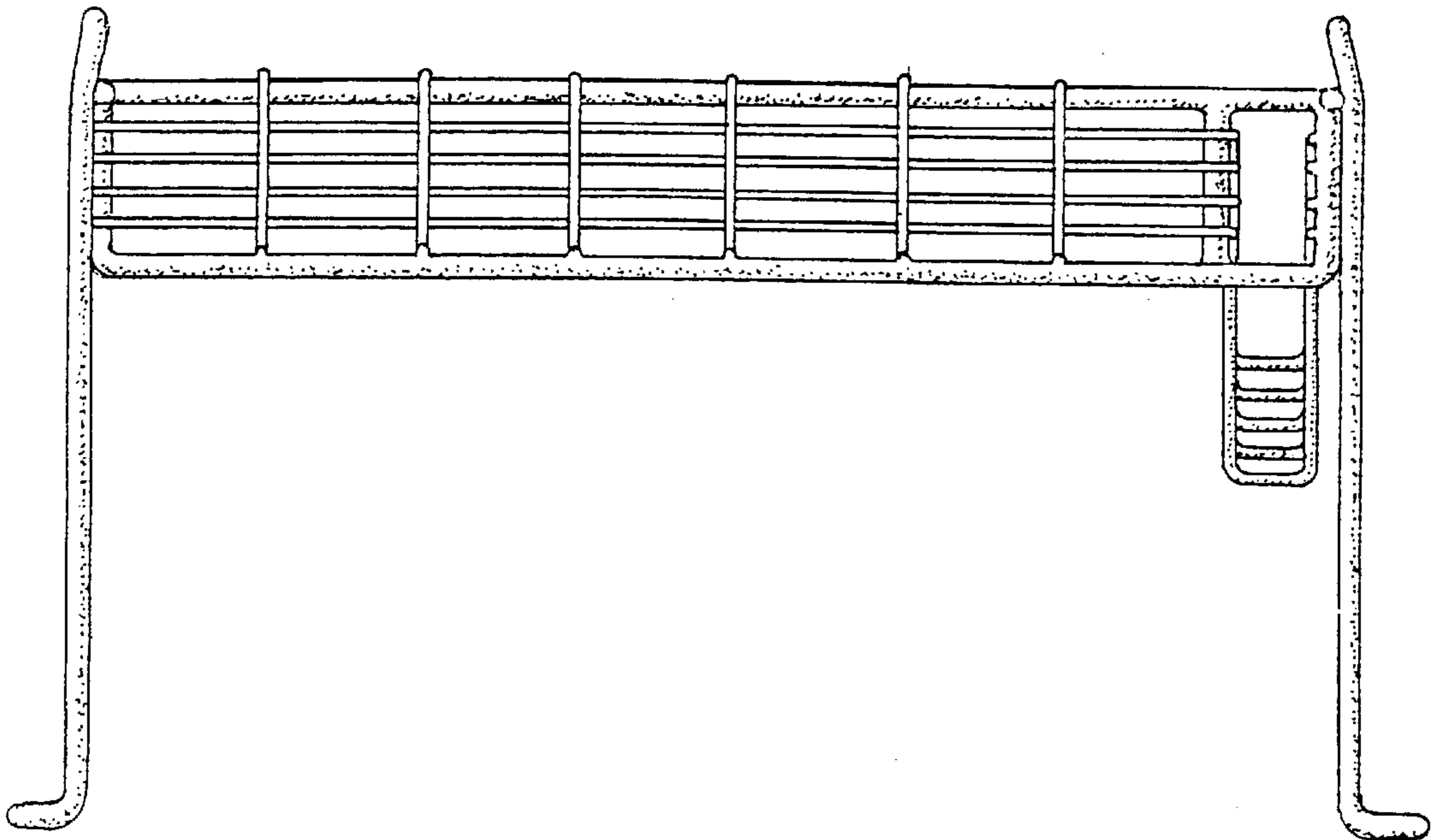


FIG. 5

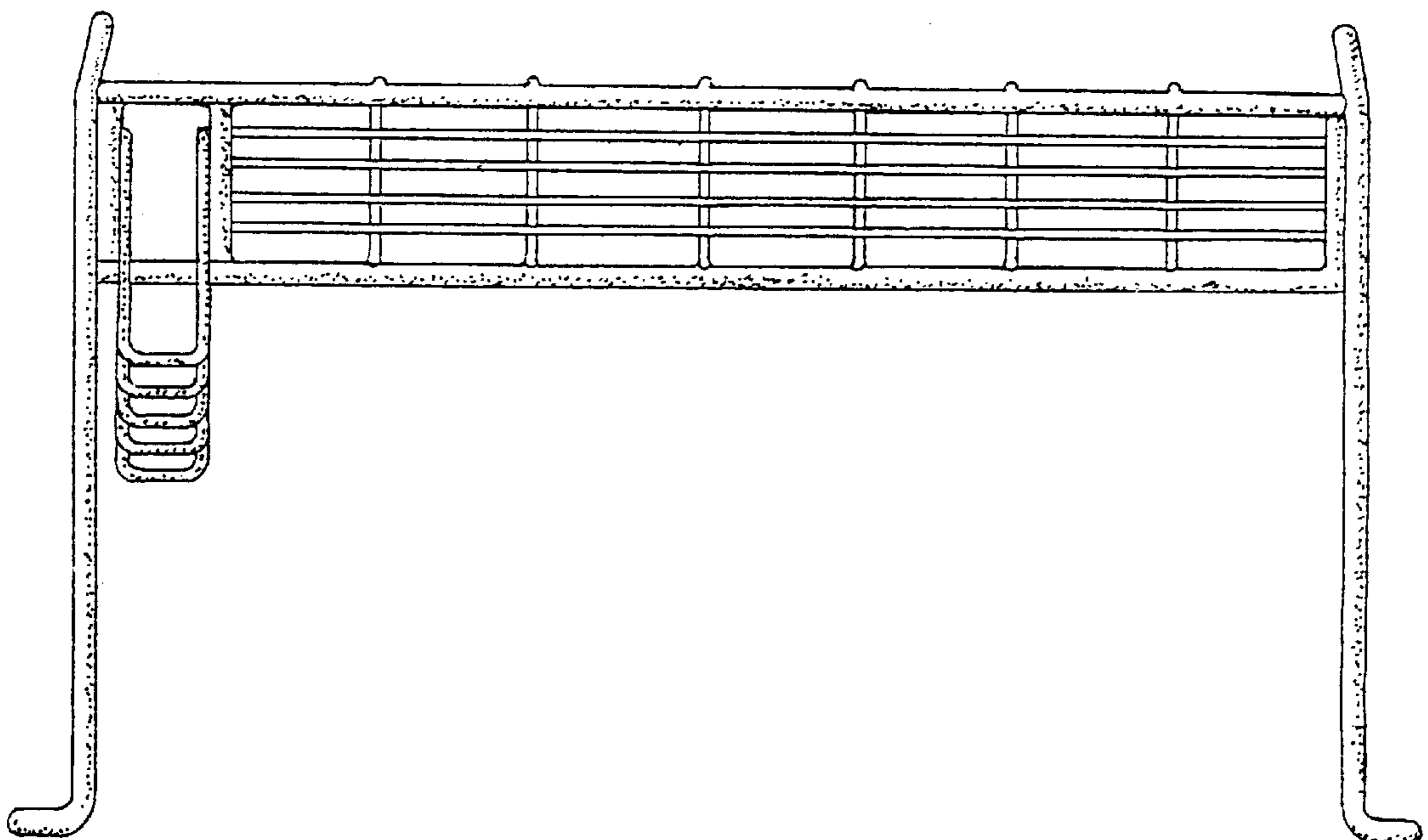


FIG. 6

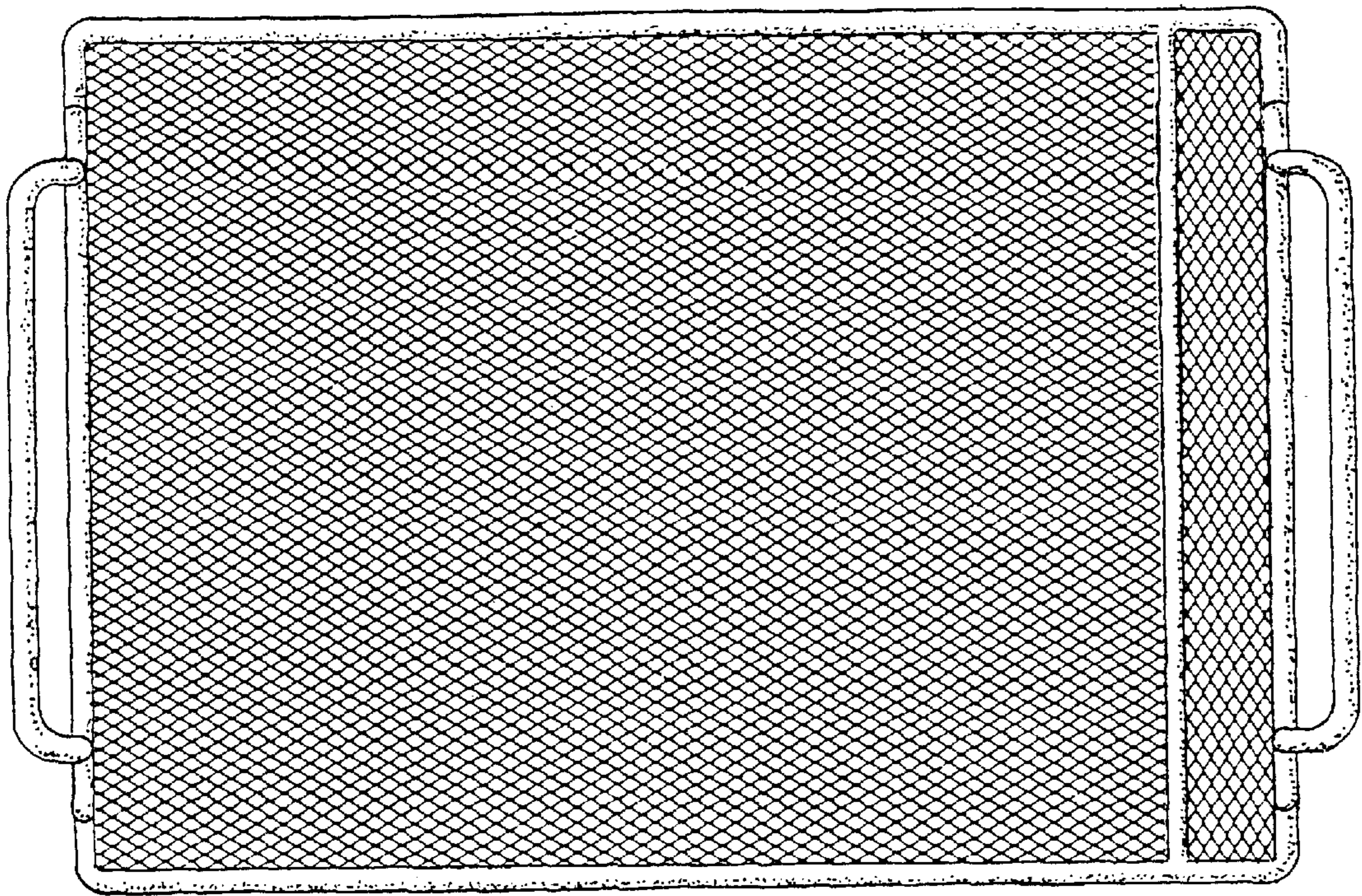


FIG. 7

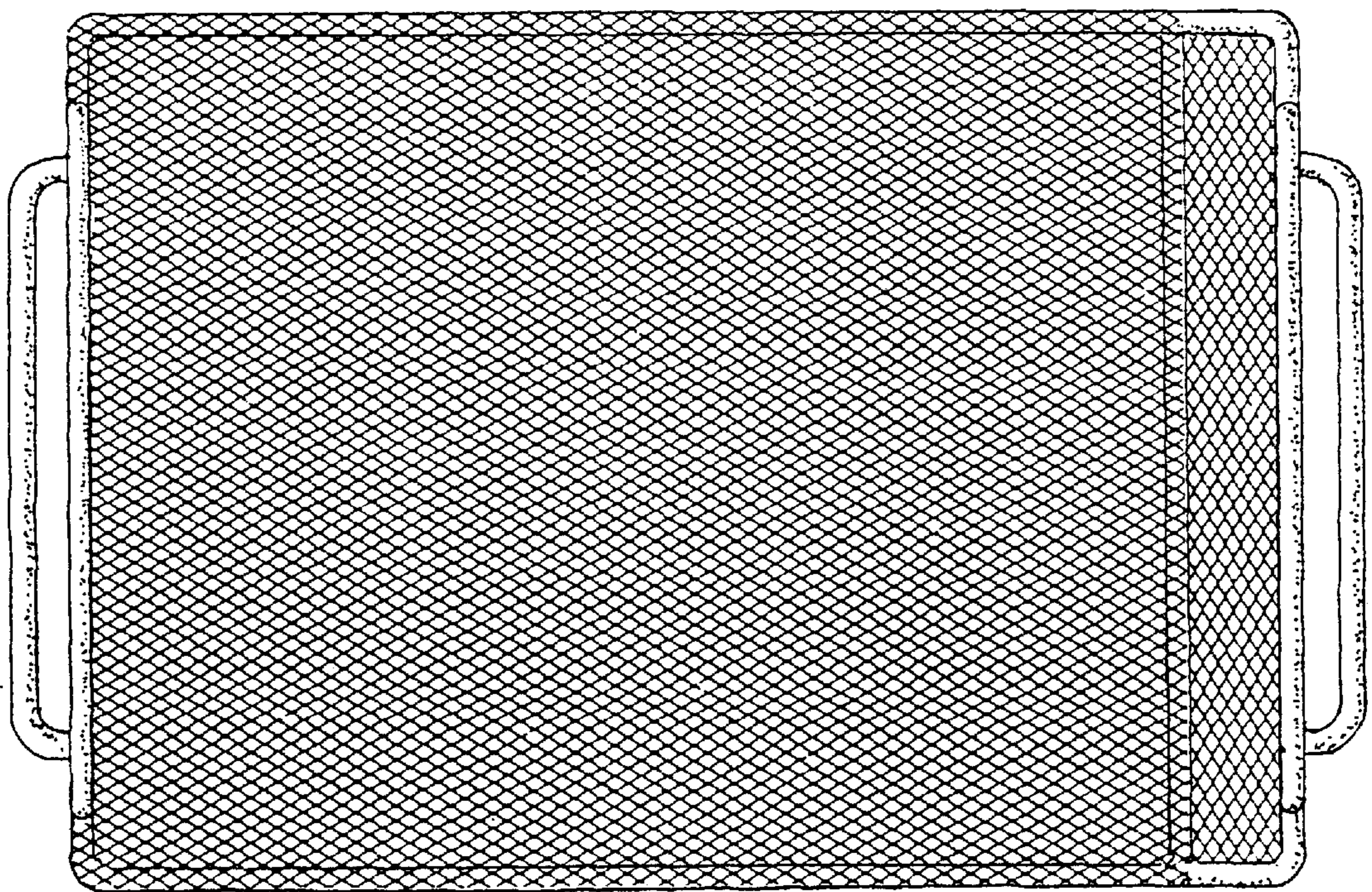


FIG. 8

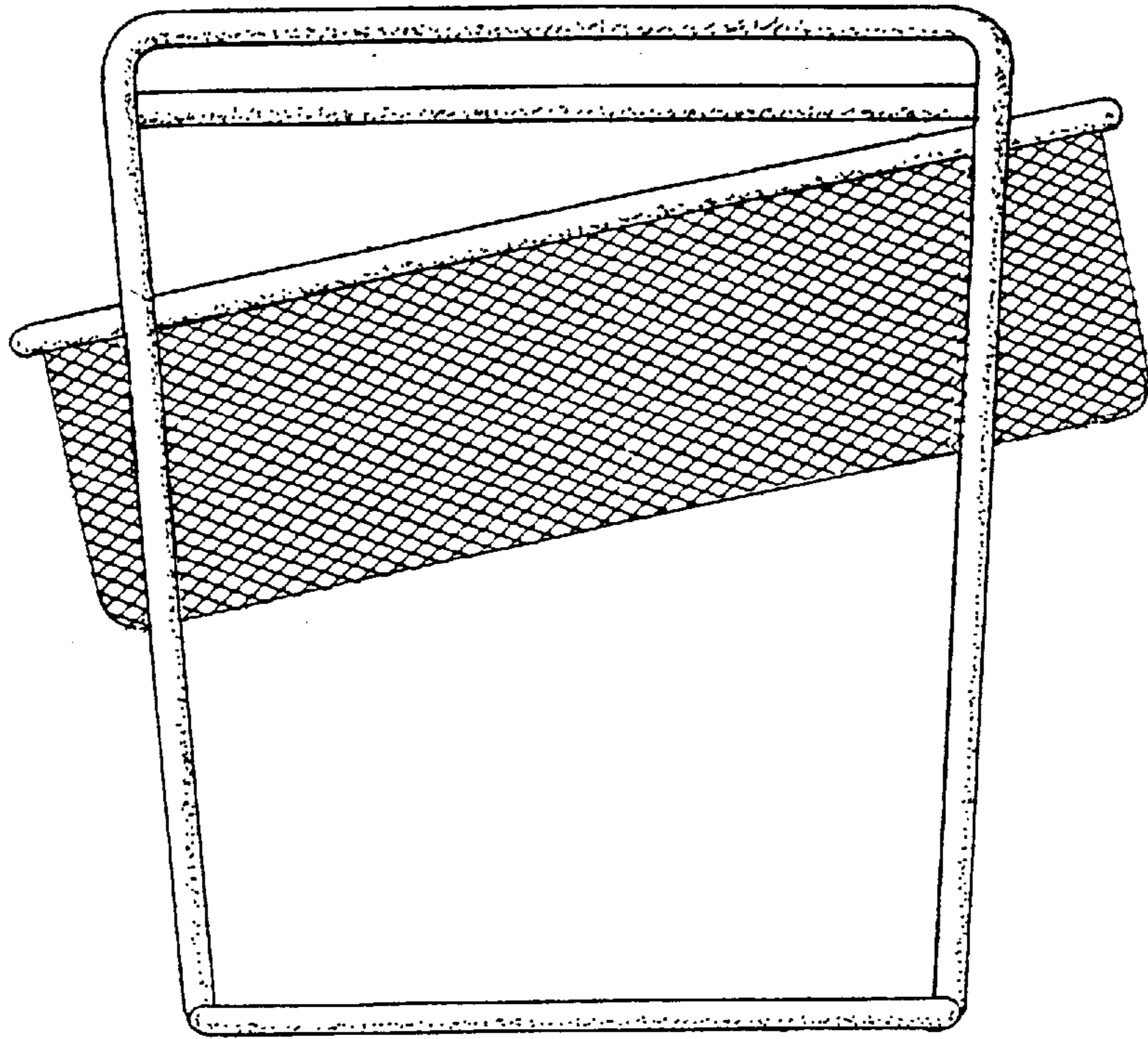


FIG. 9

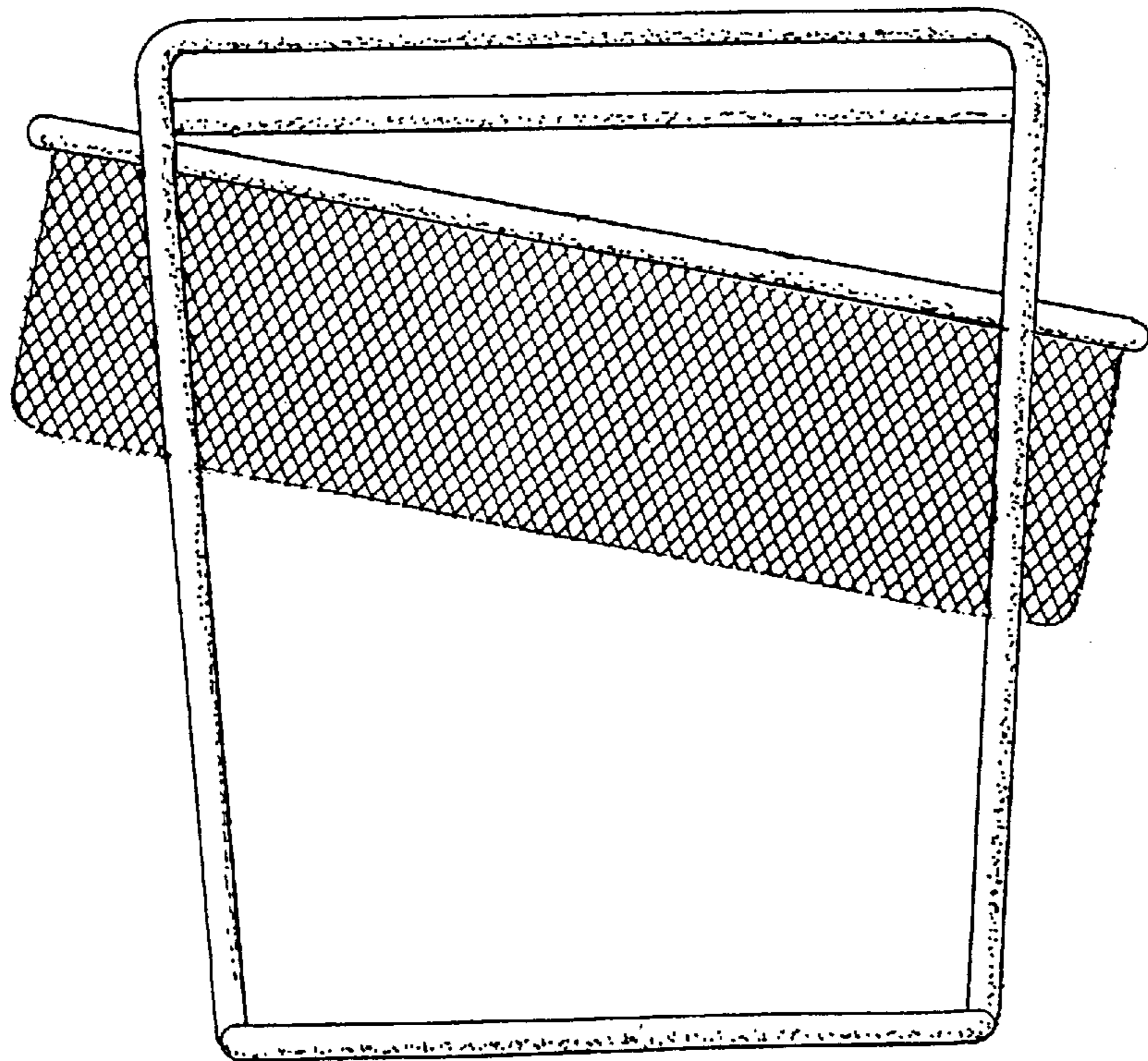


FIG. 10

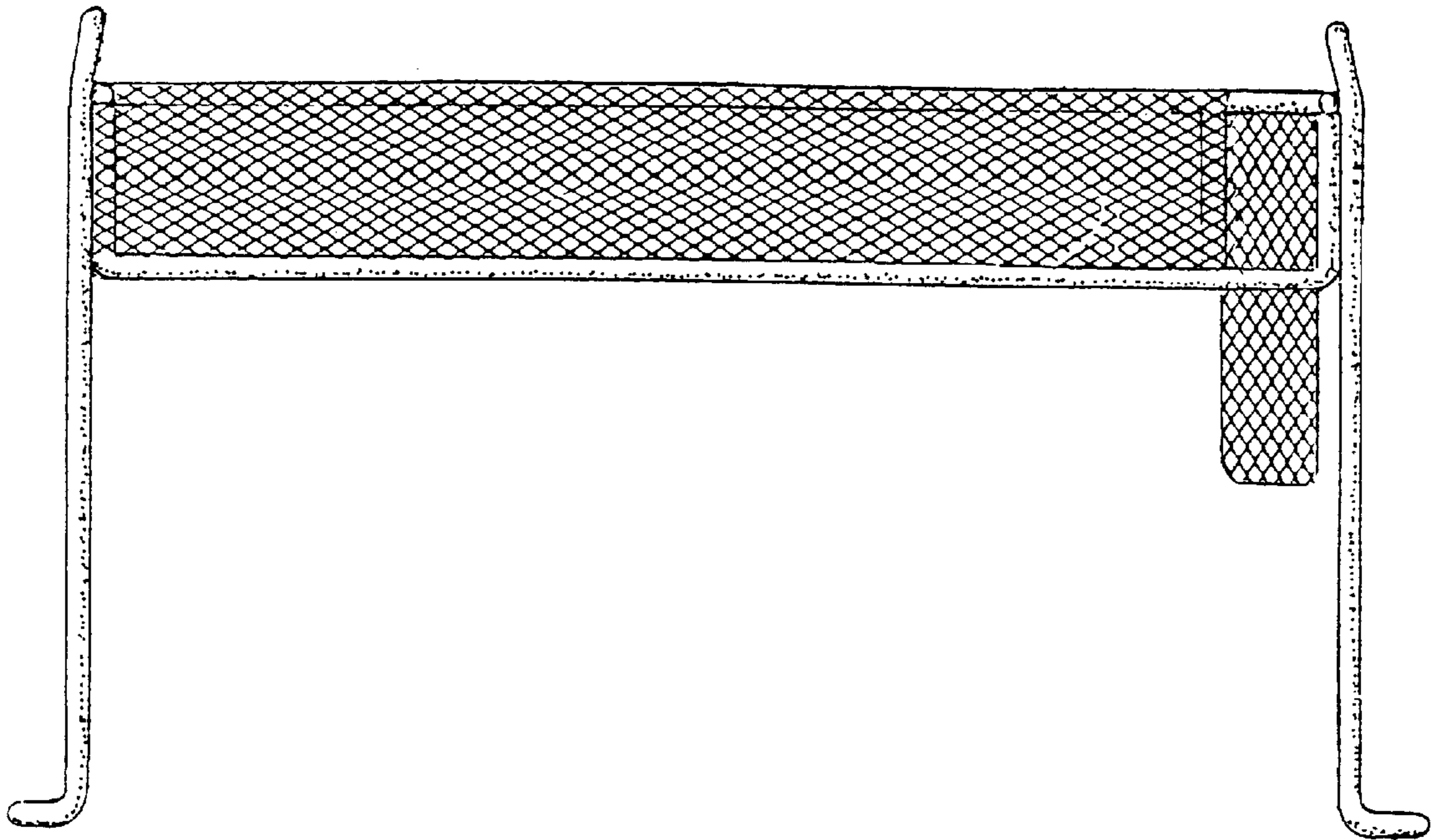


FIG. 11

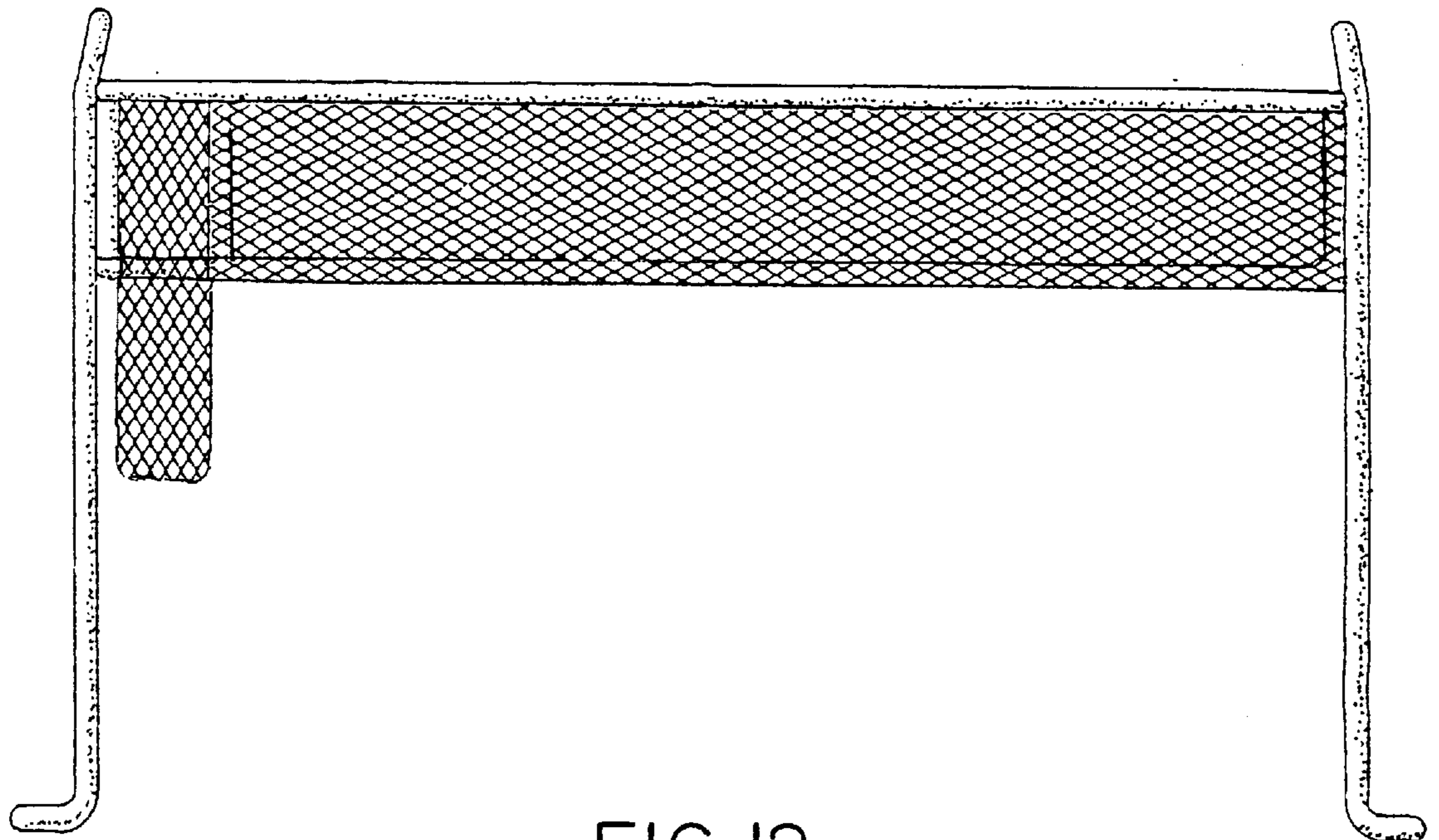


FIG. 12