



US00D455022S

(12) **United States Design Patent**
Kita

(10) **Patent No.:** **US D455,022 S**

(45) **Date of Patent:** **** Apr. 2, 2002**

(54) **CHAIR**

(75) Inventor: **Toshiyuki Kita**, Osaka (JP)

(73) Assignee: **Toyo-Kougei, Inc.**, Adachi-ku (JP)

(**) Term: **14 Years**

(21) Appl. No.: **29/141,836**

(22) Filed: **May 14, 2001**

(51) **LOC (7) Cl.** **06-01**

(52) **U.S. Cl.** **D6/375**

(58) **Field of Search** D6/334, 335, 374,
D6/375, 380, 500, 501, 502; 297/446.1

(56) **References Cited**

U.S. PATENT DOCUMENTS

D178,506 S	*	8/1956	Duer	D6/334
D215,837 S	*	11/1969	Stephens	D6/375
D367,565 S	*	3/1996	Yeh	D6/380

* cited by examiner

Primary Examiner—Gary D. Watson

(74) *Attorney, Agent, or Firm*—Levisohn, Lerner, Berger & Langsam

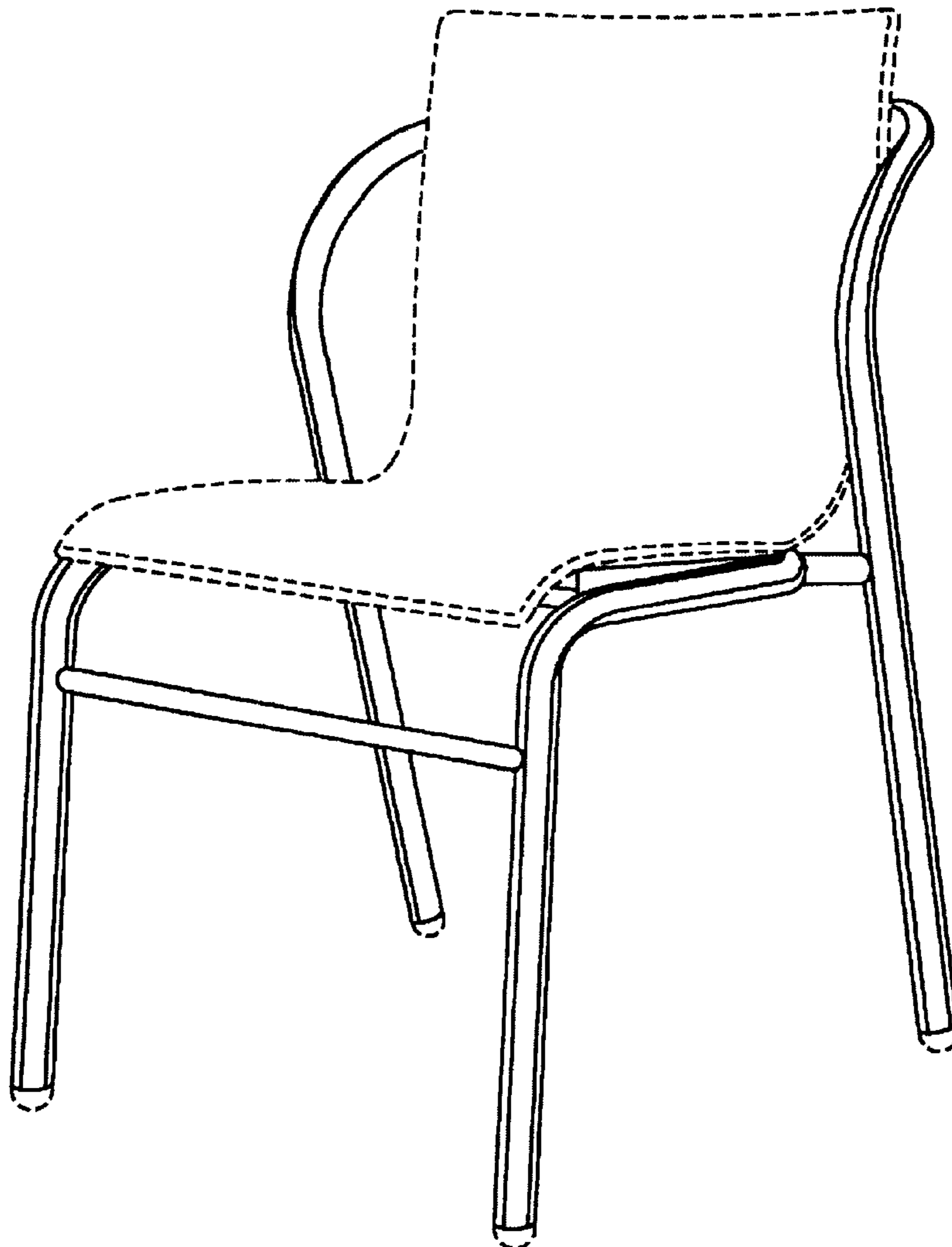
(57) **CLAIM**

The ornamental design for a chair, as shown and described.

DESCRIPTION

FIG. 1 is a perspective view of the chair of this invention; FIG. 2 is a front elevational view of the chair of this invention; FIG. 3 is a rear elevation view of the chair of this invention; FIG. 4 is a right side elevation view of the chair of this invention; FIG. 5 is a top plan view of the chair of this invention; and, FIG. 6 is a bottom plan view of the chair of this invention. The broken lines shown in the figures are for environmental purposes only and do not form a part of the claimed invention.

1 Claim, 6 Drawing Sheets



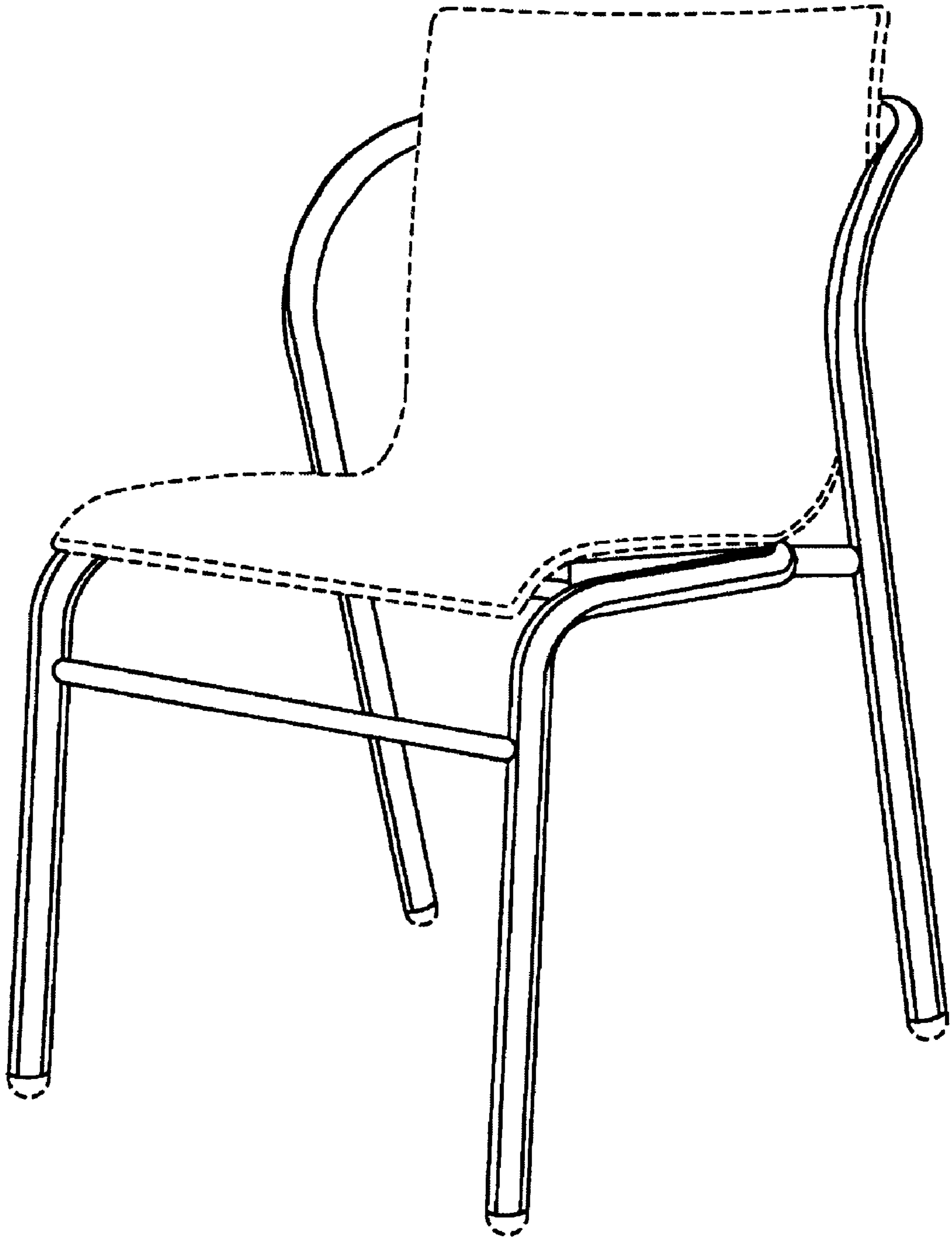


FIG. 1

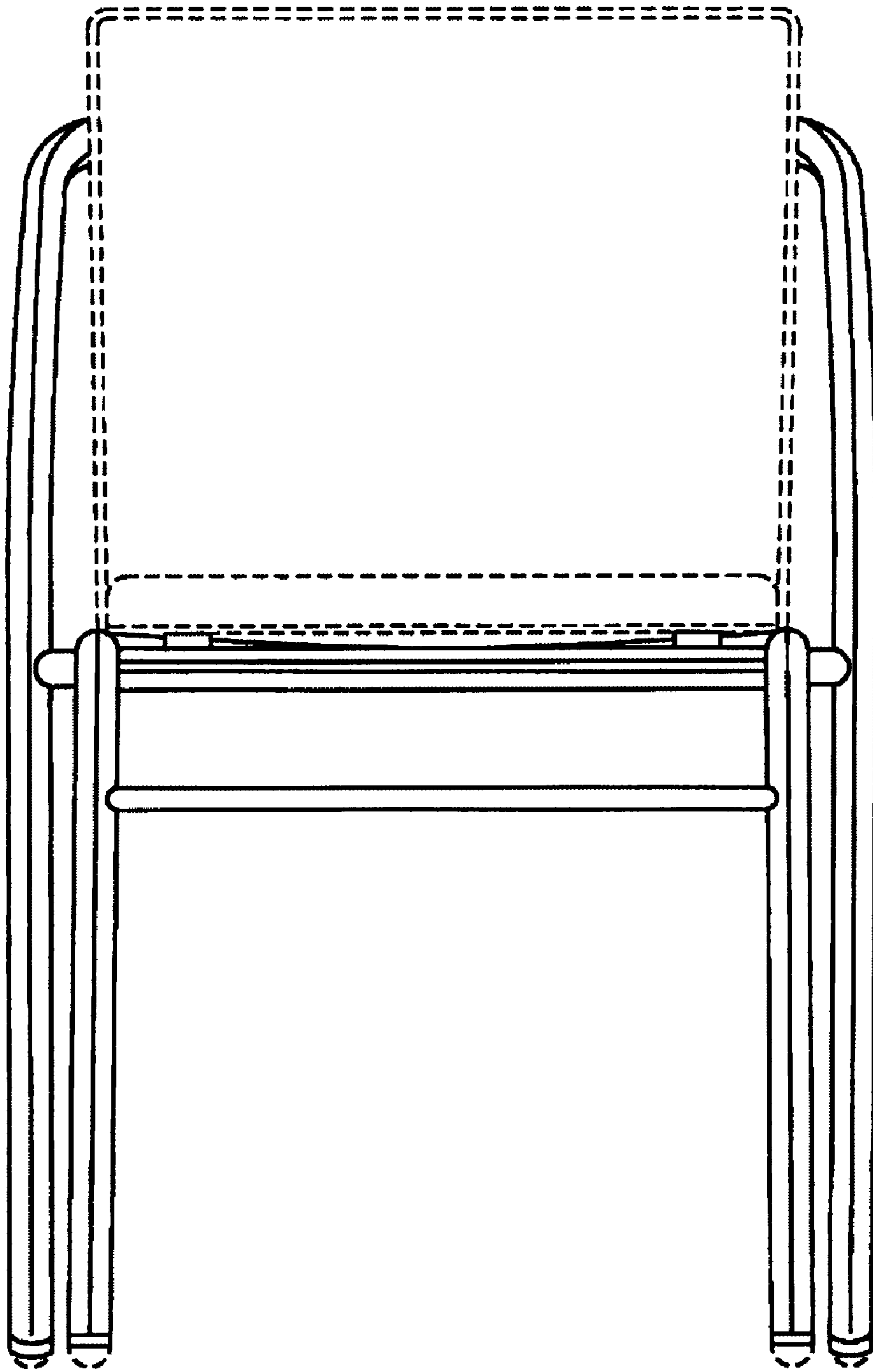


FIG. 2

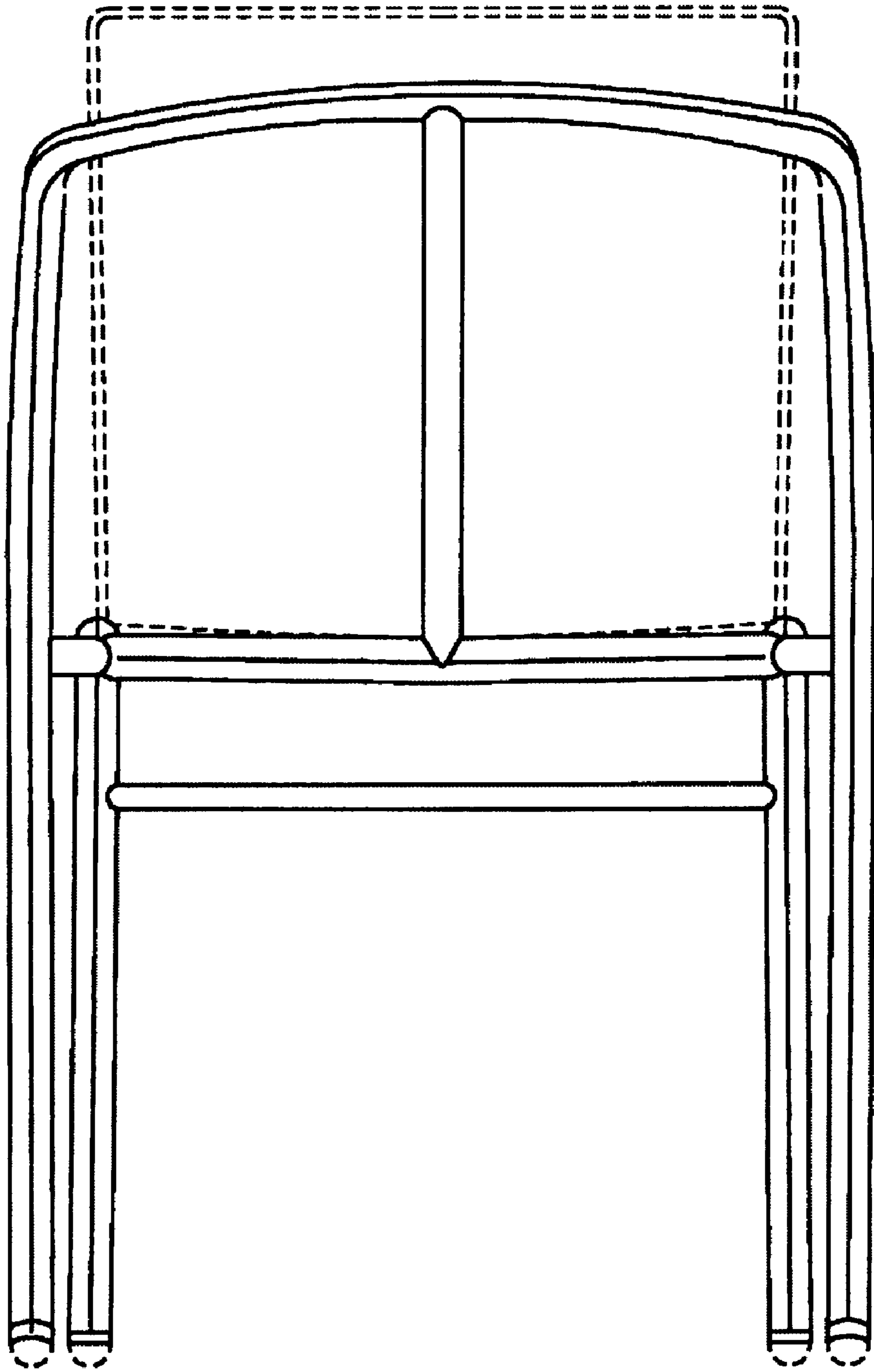


FIG. 3

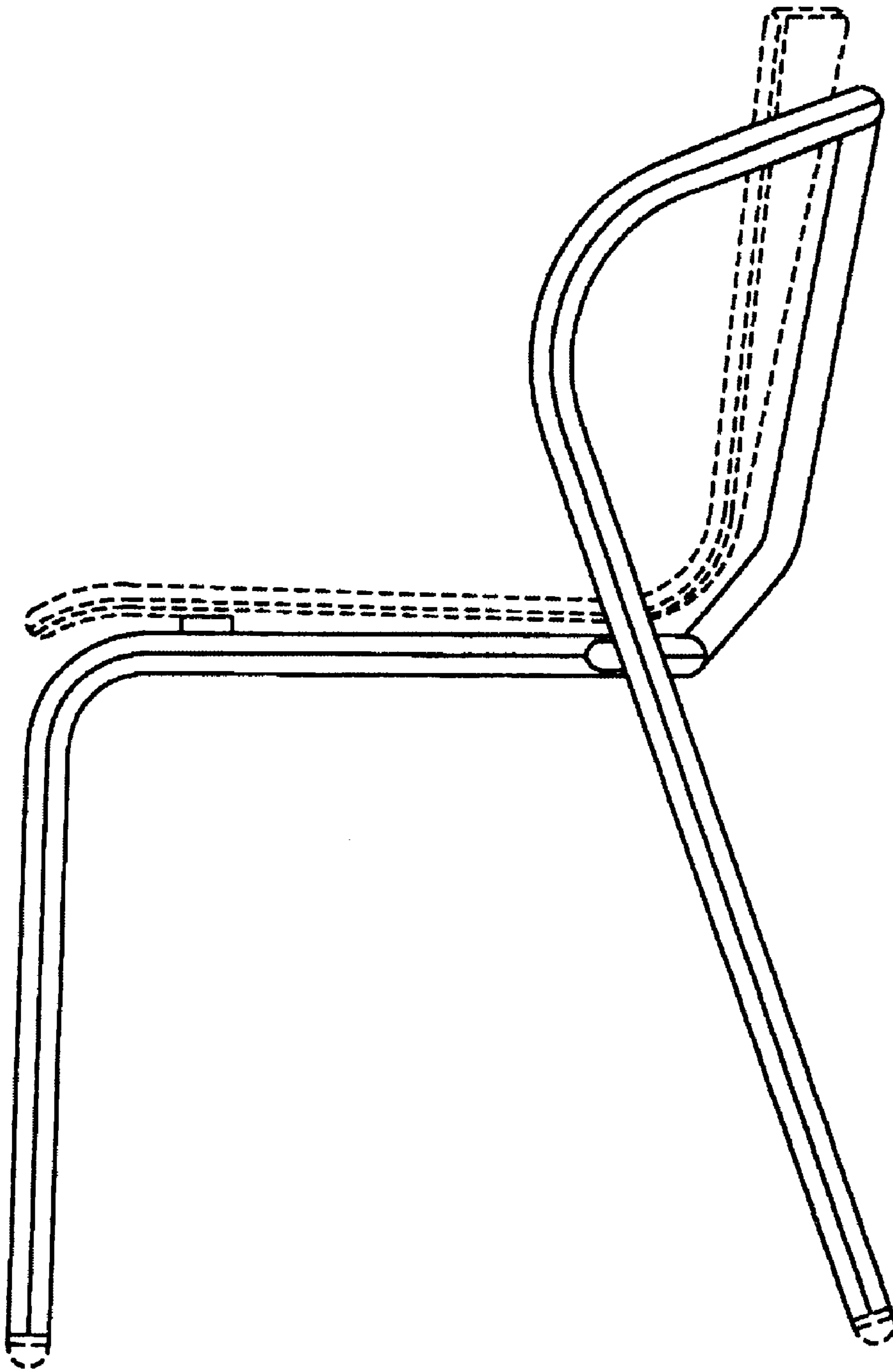


FIG. 4

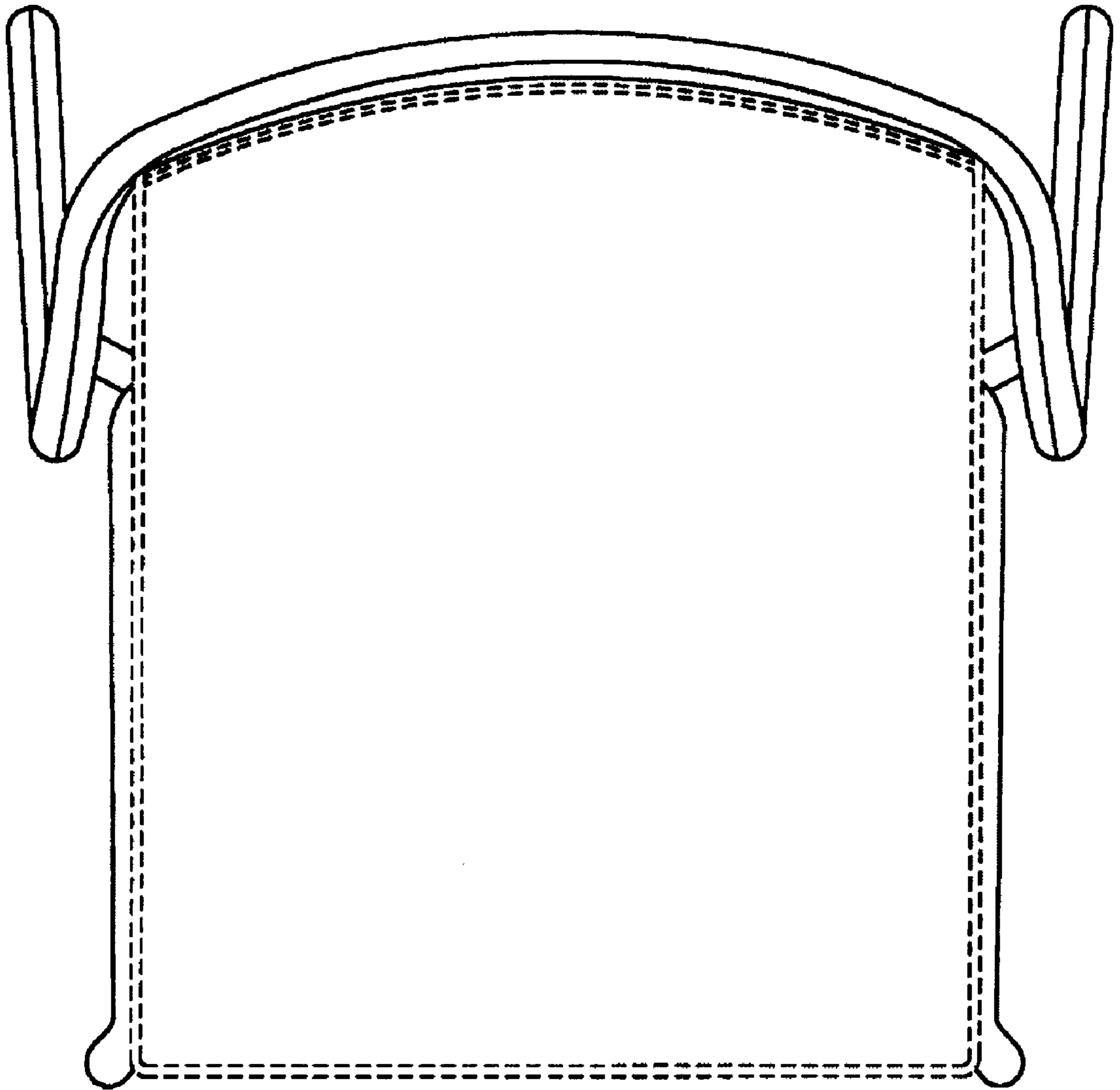


FIG. 5

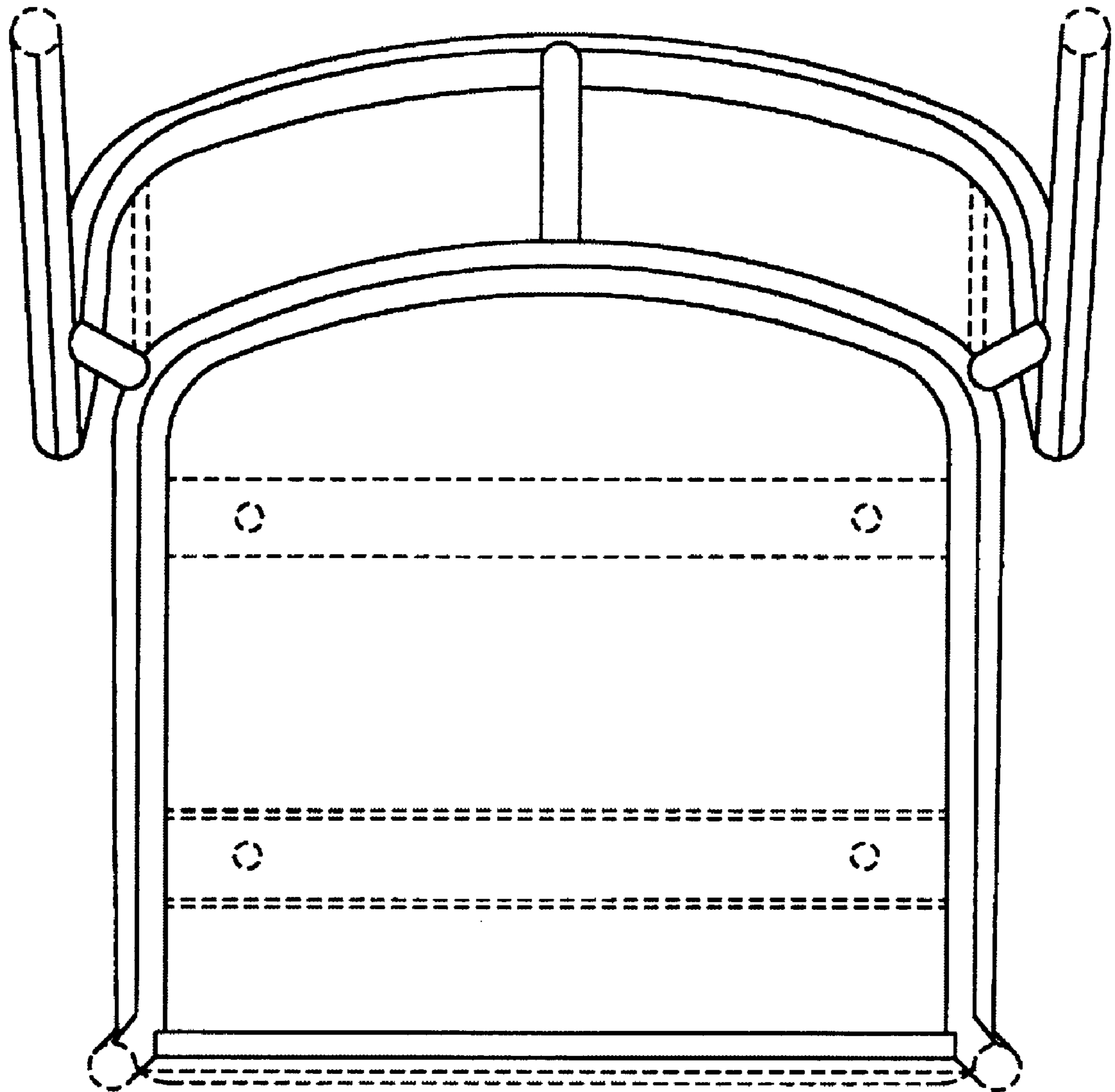


FIG. 6