



US00D455019S

(12) **United States Design Patent**  
**Tseng**

(10) **Patent No.:** **US D455,019 S**

(45) **Date of Patent:** **\*\* Apr. 2, 2002**

(54) **CHAIR**

(75) Inventor: **Chuen-Jong Tseng, Chiayi Hsien (TW)**

(73) Assignee: **Shin Yeh Enterprise Co., Ltd., Chiayi Hsien (TW)**

(\*\*) Term: **14 Years**

(21) Appl. No.: **29/134,570**

(22) Filed: **Dec. 21, 2000**

(51) **LOC (7) Cl.** ..... **06-01**

(52) **U.S. Cl.** ..... **D6/366**

(58) **Field of Search** ..... D6/334, 364, 365,  
D6/366, 367, 500, 501, 502; 297/411.2,  
411.27, 411.28, 411.29

(56) **References Cited**

**U.S. PATENT DOCUMENTS**

D383,021 S \* 9/1997 Lu ..... D6/500  
D403,520 S \* 1/1999 Wilson ..... D6/366

D417,102 S \* 11/1999 Vanderwood et al. .... D6/500  
D427,793 S \* 7/2000 Groulx et al. .... D6/366  
D437,499 S \* 2/2001 Tseng ..... D6/366

\* cited by examiner

*Primary Examiner*—Gary D. Watson

(74) *Attorney, Agent, or Firm*—Ladas & Parry

(57) **CLAIM**

The ornamental design for chair, as shown and described.

**DESCRIPTION**

FIG. 1 is a perspective view of chair showing my new design;

FIG. 2 is a front elevational view thereof;

FIG. 3 is a rear elevational view thereof;

FIG. 4 is a left side elevational view thereof;

FIG. 5 is a right side elevational view thereof;

FIG. 6 is a top plan view thereof; and,

FIG. 7 is a bottom plan view thereof.

**1 Claim, 4 Drawing Sheets**





FIG. 1

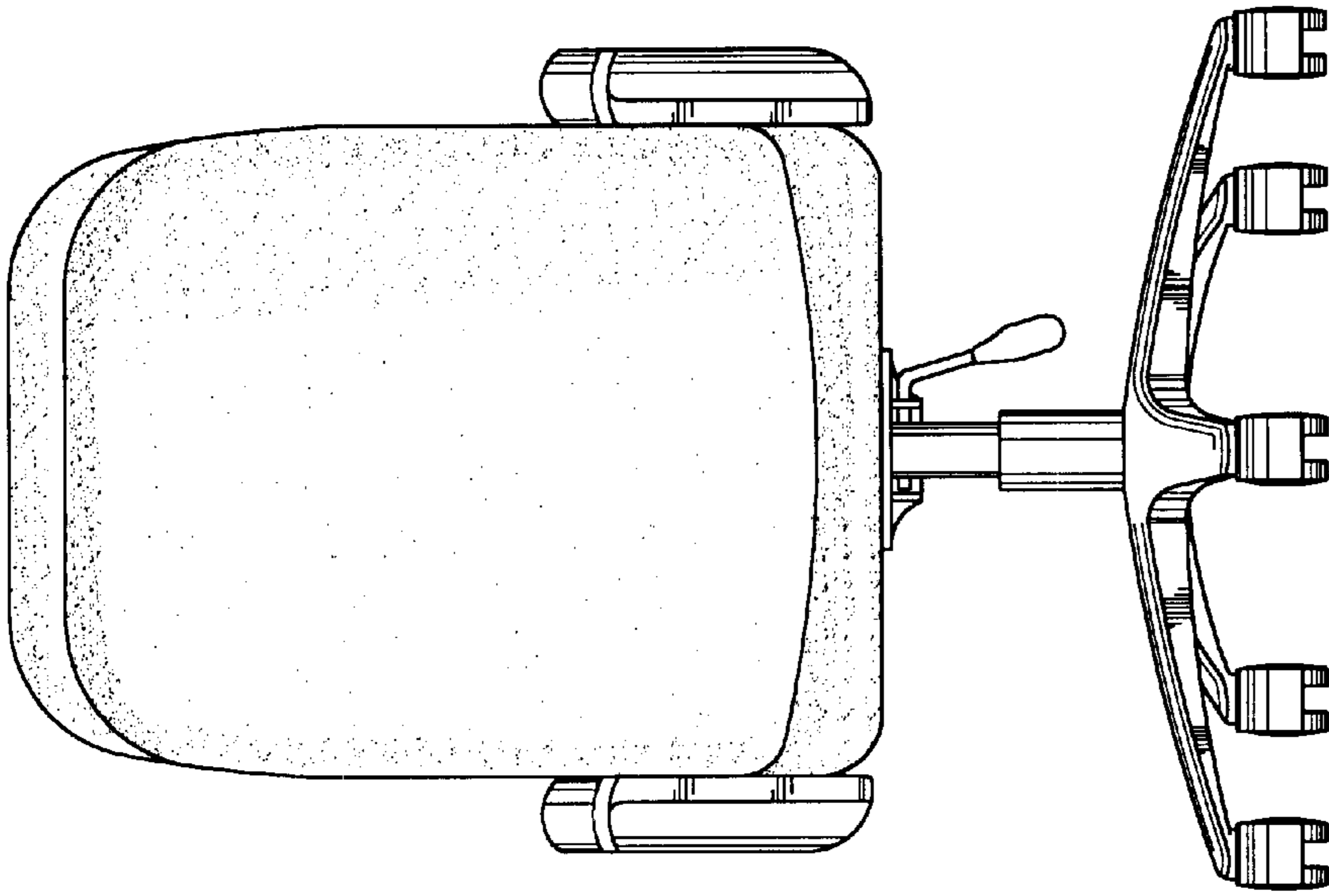


FIG. 3

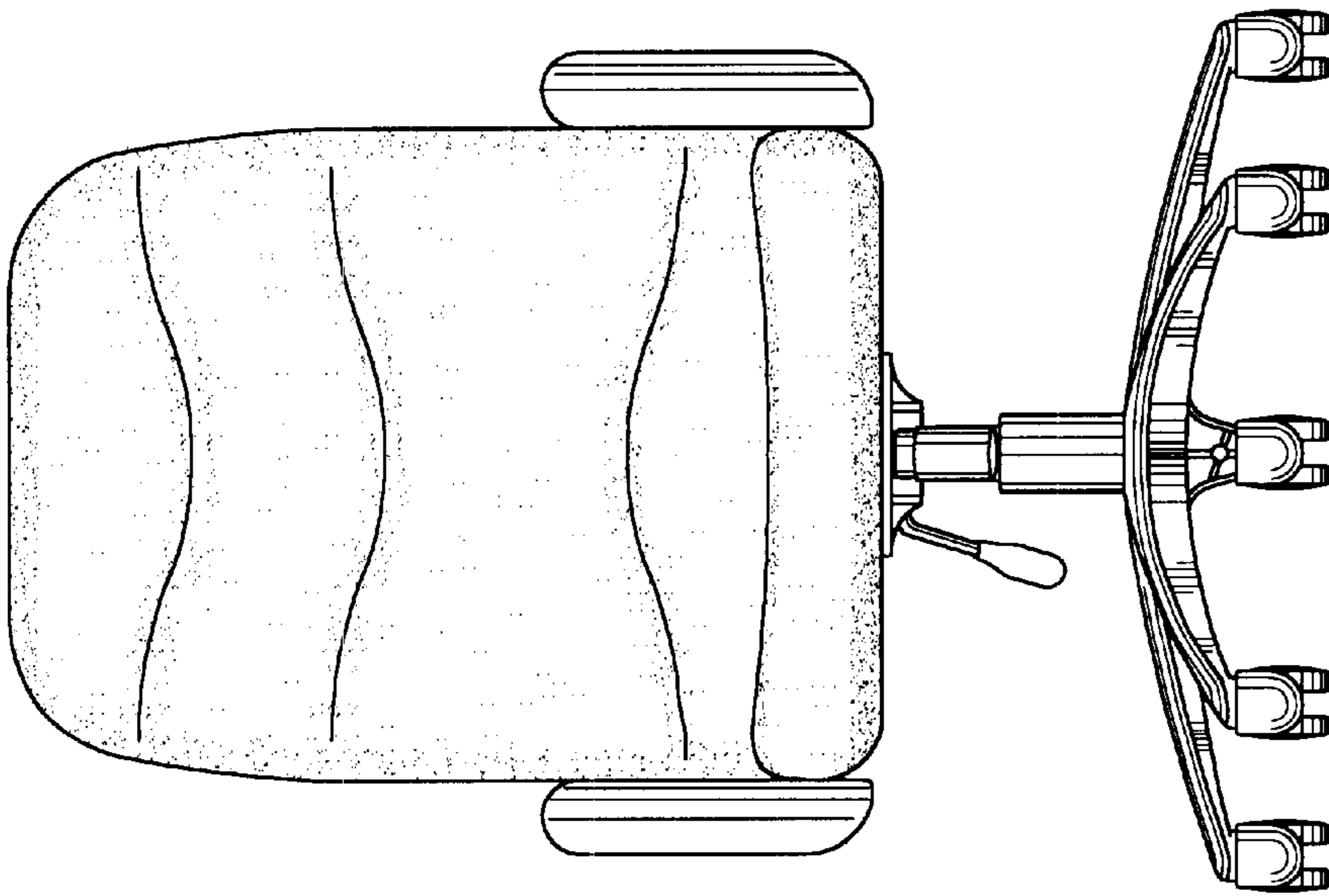


FIG. 2

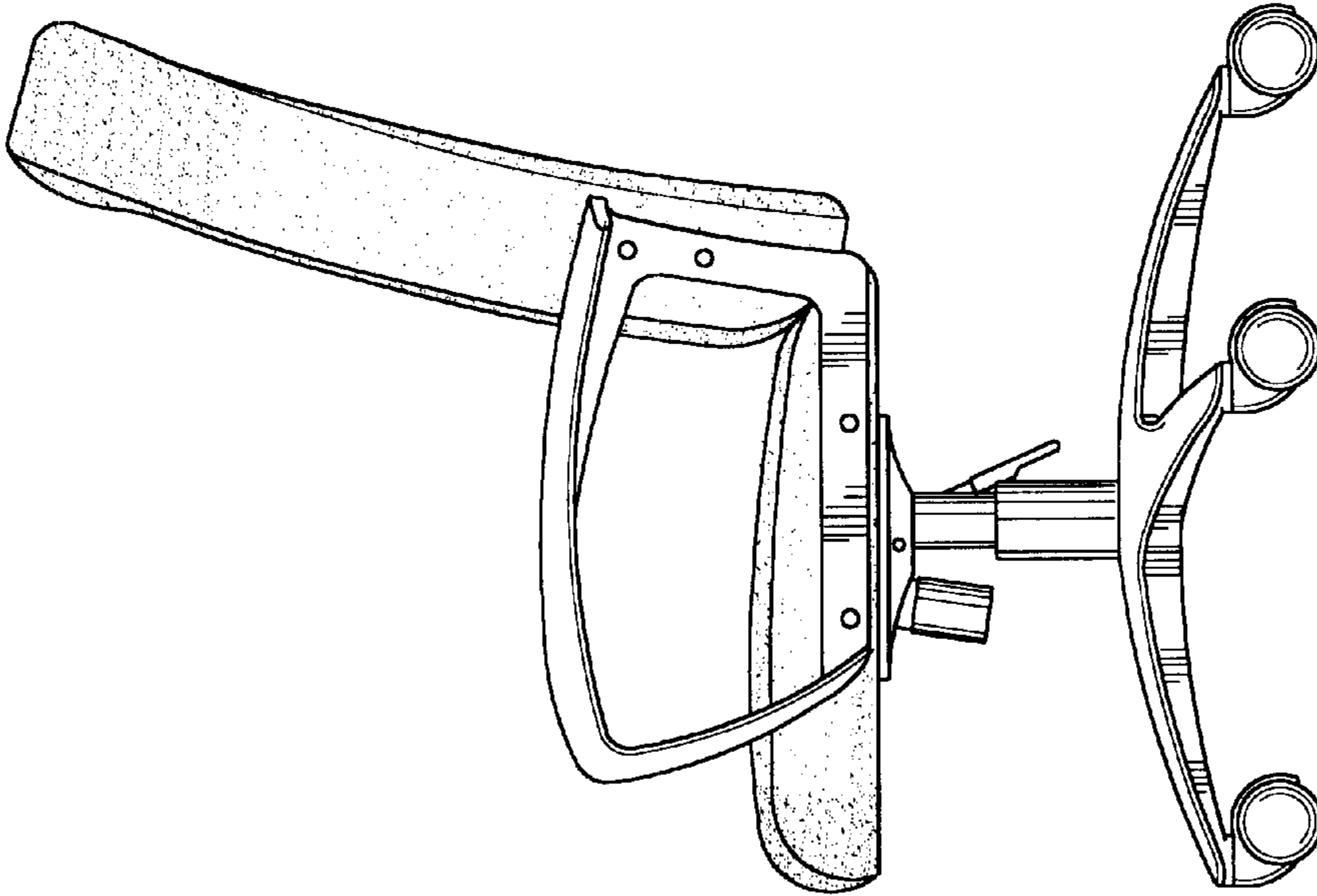


FIG. 5

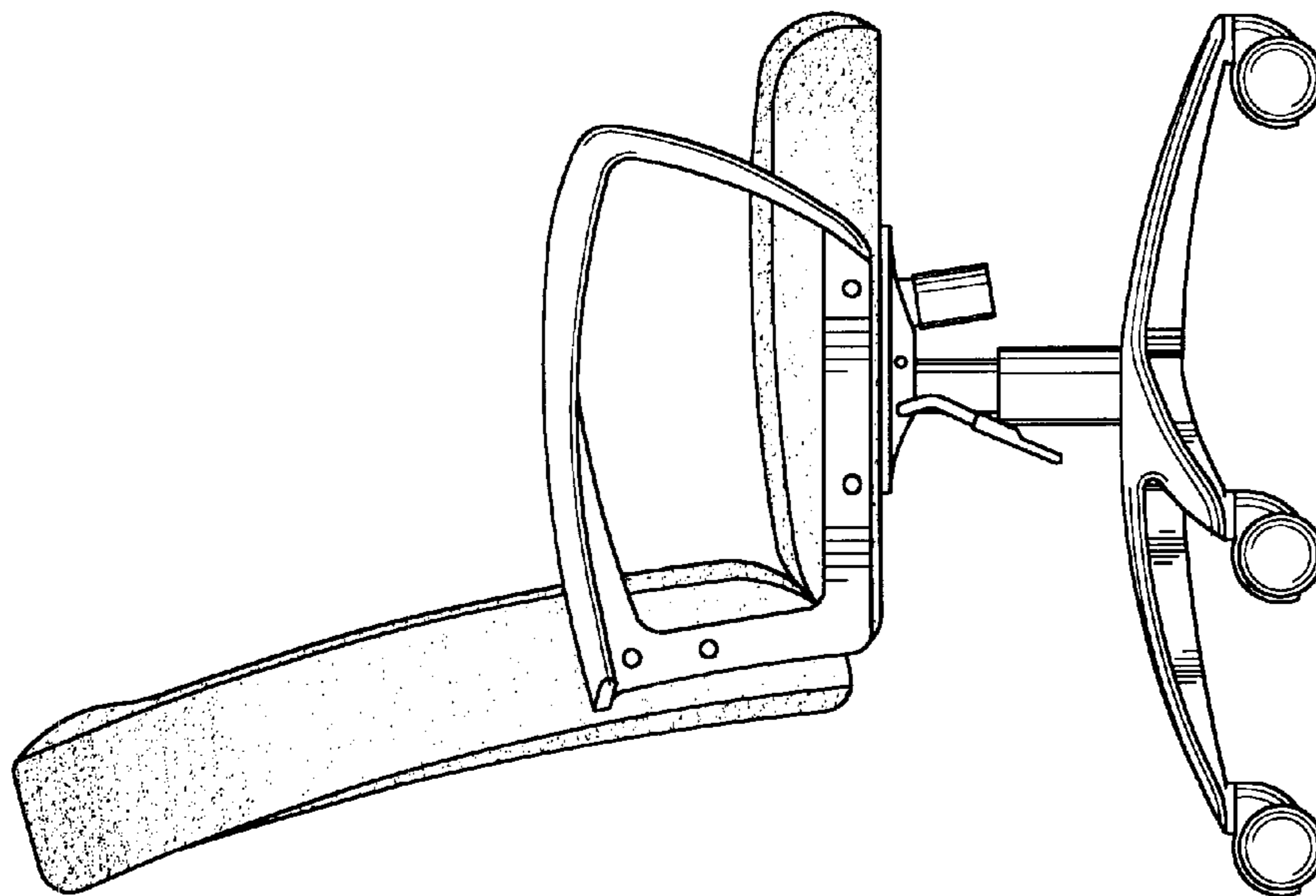


FIG. 4

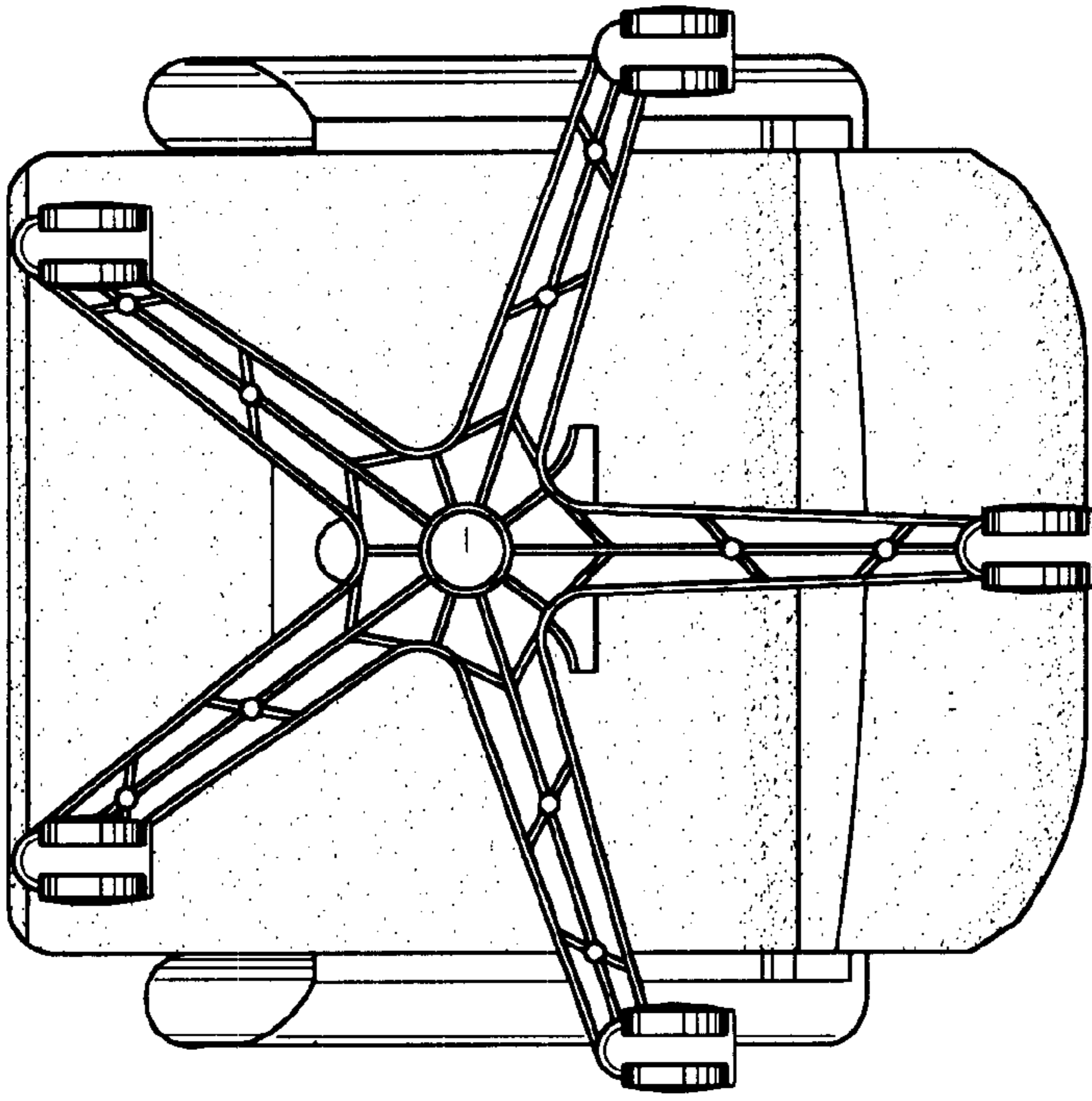


FIG. 7

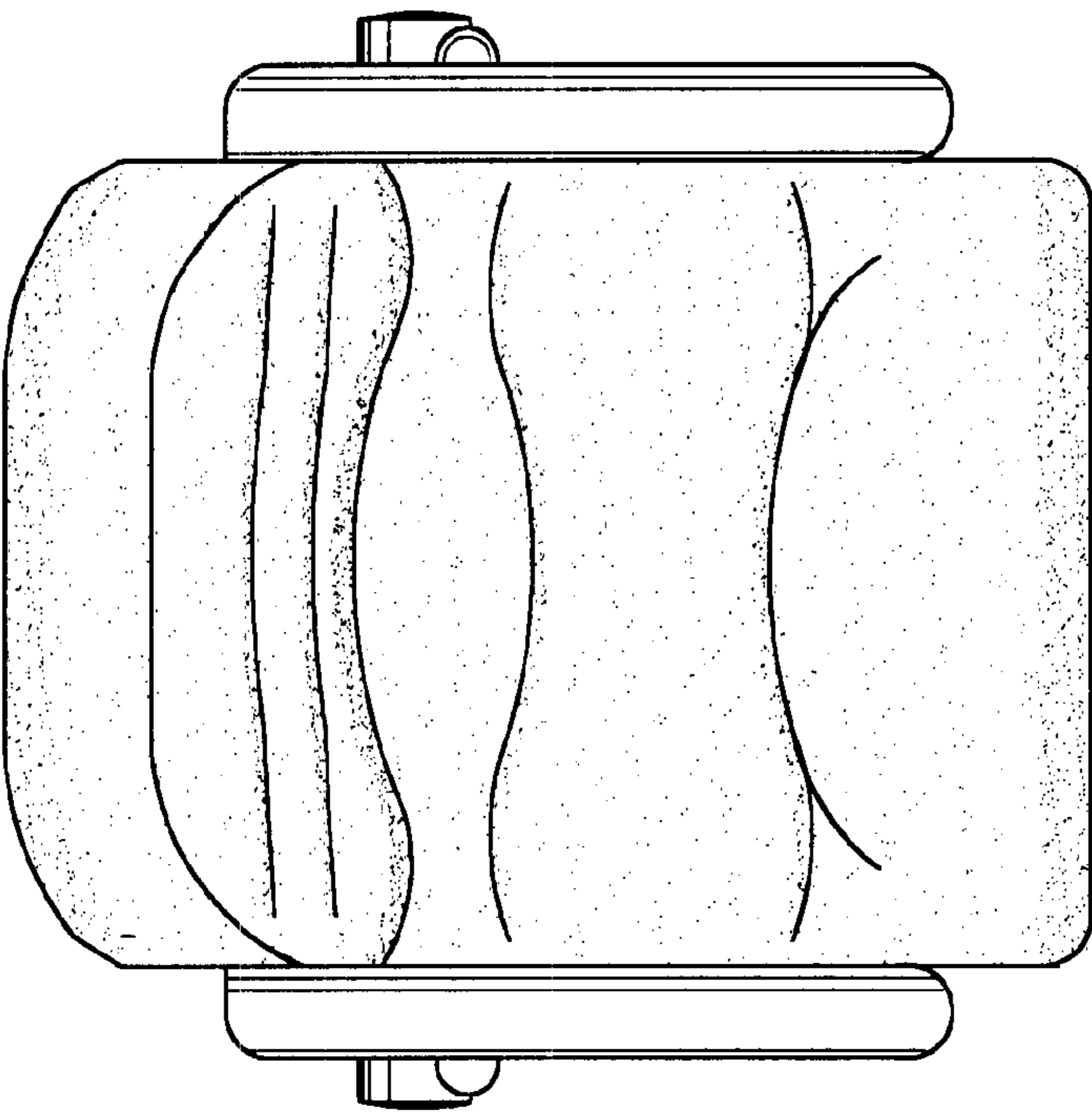


FIG. 6