



US00D455018S

(12) **United States Design Patent**
Myers et al.

(10) **Patent No.:** **US D455,018 S**

(45) **Date of Patent:** **** Apr. 2, 2002**

(54) **CHILD'S CHAIR WITH STORAGE COMPARTMENTS**

(75) Inventors: **Peter J. Myers**, Wheaton, IL (US);
Brian C. Jablonski; Mark W. Anders,
both of Providence, RI (US)

(73) Assignee: **Kolcraft Enterprises, Inc.**, Chicago, IL (US)

(**) Term: **14 Years**

(21) Appl. No.: **29/141,223**

(22) Filed: **Apr. 30, 2001**

(51) **LOC (7) Cl.** **06-01**

(52) **U.S. Cl.** **D6/336; D6/333**

(58) **Field of Search** D6/333, 335, 336,
D6/338, 339, 500-502; 297/148, 151, 153,
232, 250.1, 256.15, 487

(56) **References Cited**

U.S. PATENT DOCUMENTS

D330,842 S	*	11/1992	Meeker et al.	D6/333
D356,689 S	*	3/1995	Mariol	D6/339
D374,125 S	*	10/1996	Berstein et al.	D6/333
5,609,389 A	*	3/1997	Longoria et al.	297/153
D421,343 S	*	3/2000	Bennardo	D6/333

* cited by examiner

Primary Examiner—Doris V. Coles
Assistant Examiner—Mimosa De

(74) *Attorney, Agent, or Firm*—Marshall Gerstein Borun

(57) **CLAIM**

The ornamental design for a “child’s chair with storage compartments”, as shown and described.

DESCRIPTION

FIG. 1 is a top front right side perspective view of one embodiment of a “child’s chair with storage compartments” according to the teachings of the present invention;

FIG. 2 is a front view of the “child’s chair with storage compartments” as shown in FIG. 1;

FIG. 3 is a left side view of the “child’s chair with storage compartments” as shown in FIG. 1;

FIG. 4 is a right side view of the “child’s chair with storage compartments” as shown in FIG. 1;

FIG. 5 is a top view of the “child’s chair with storage compartments” as shown in FIG. 1;

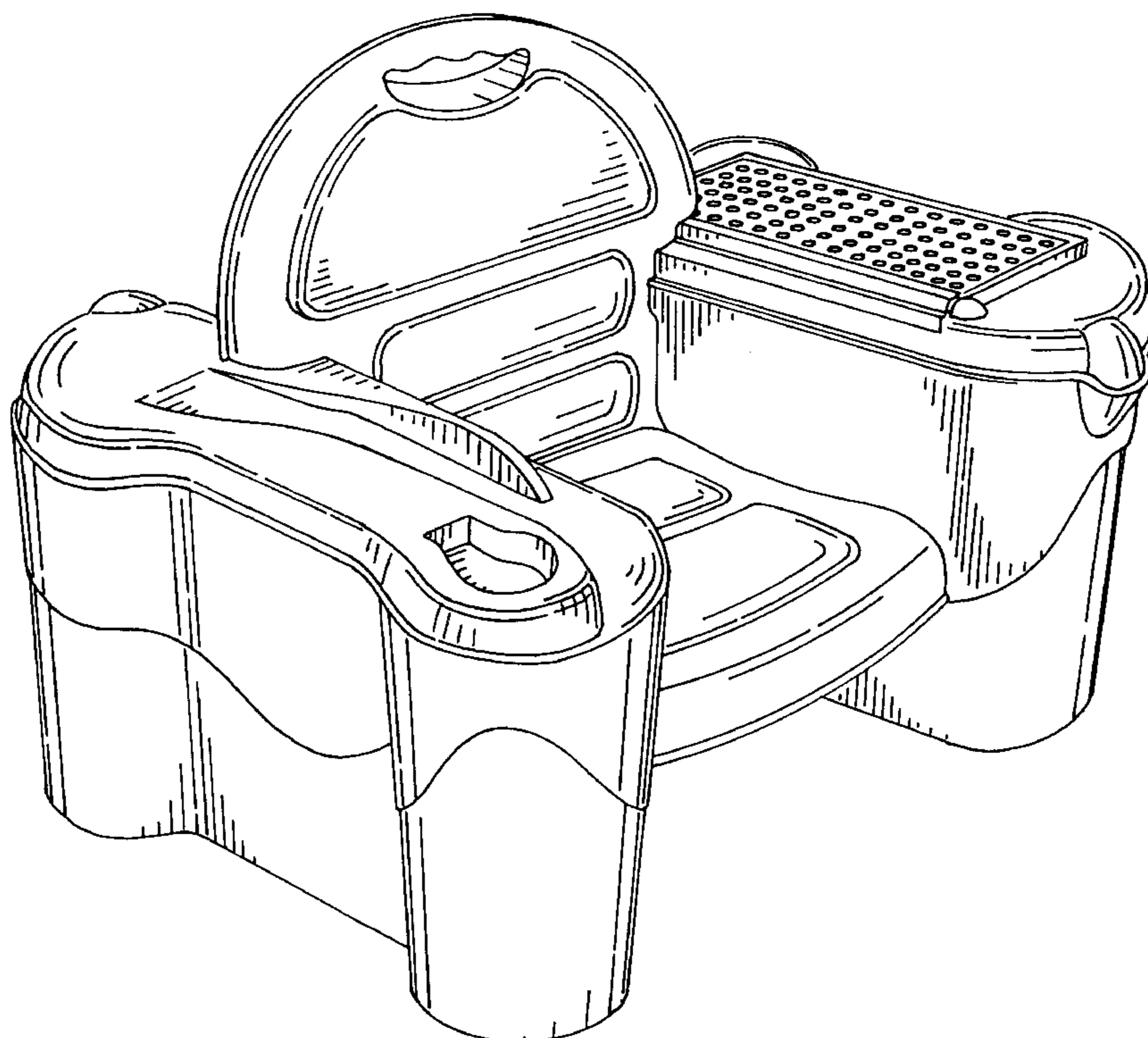
FIG. 6 is a bottom view of the “child’s chair with storage compartments” as shown in FIG. 1;

FIG. 7 is a back view of the “child’s chair with storage compartments” as shown in FIG. 1;

FIG. 8 is a top view of the “child’s chair with storage compartments” as shown in FIG. 1 and having each armrest in an alternate configuration; and,

FIG. 9 is a top view of the “child’s chair with storage compartments” as shown in FIG. 1 with an armrest top cover shown in another alternate configuration.

1 Claim, 9 Drawing Sheets



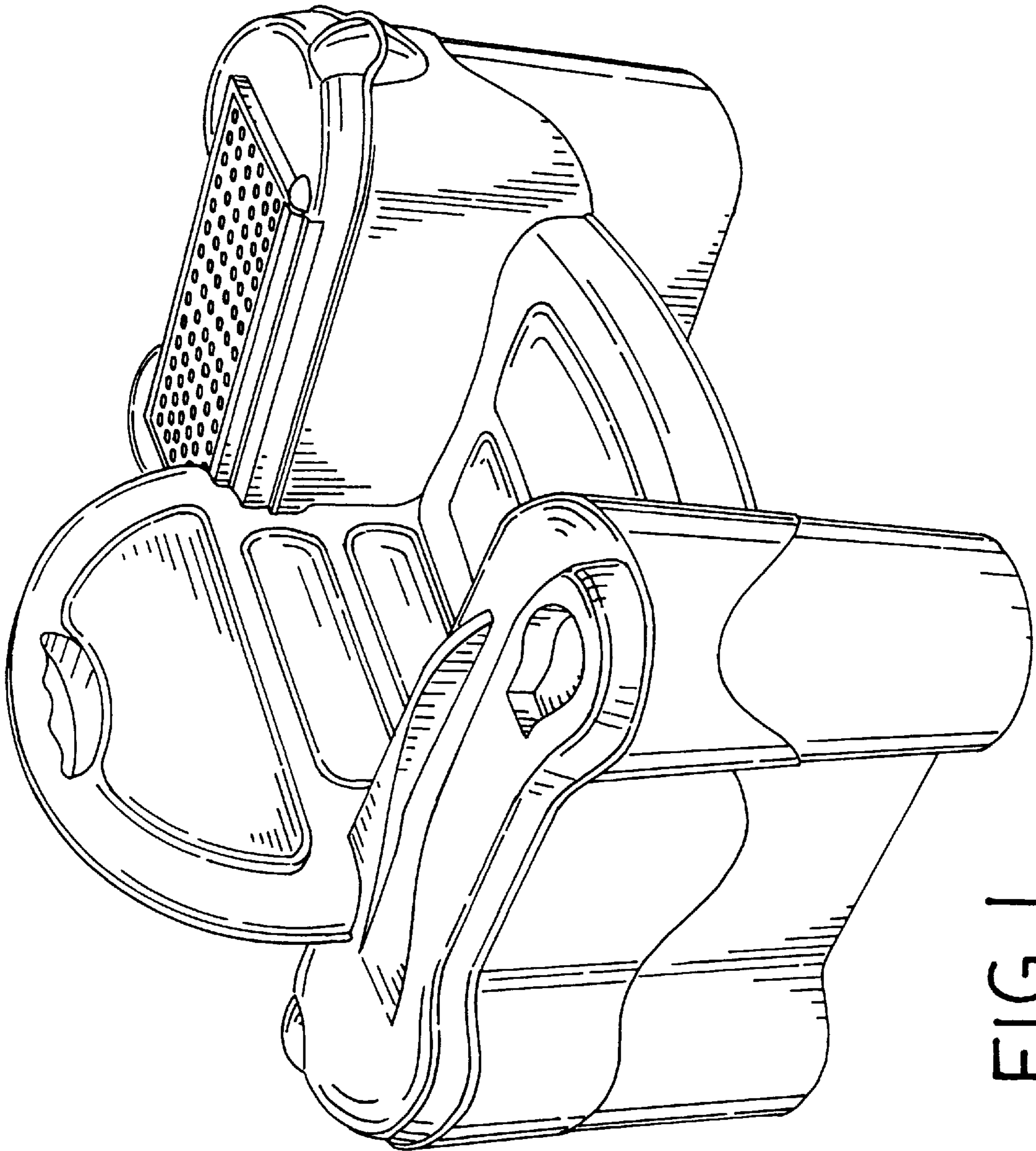


FIG. 1

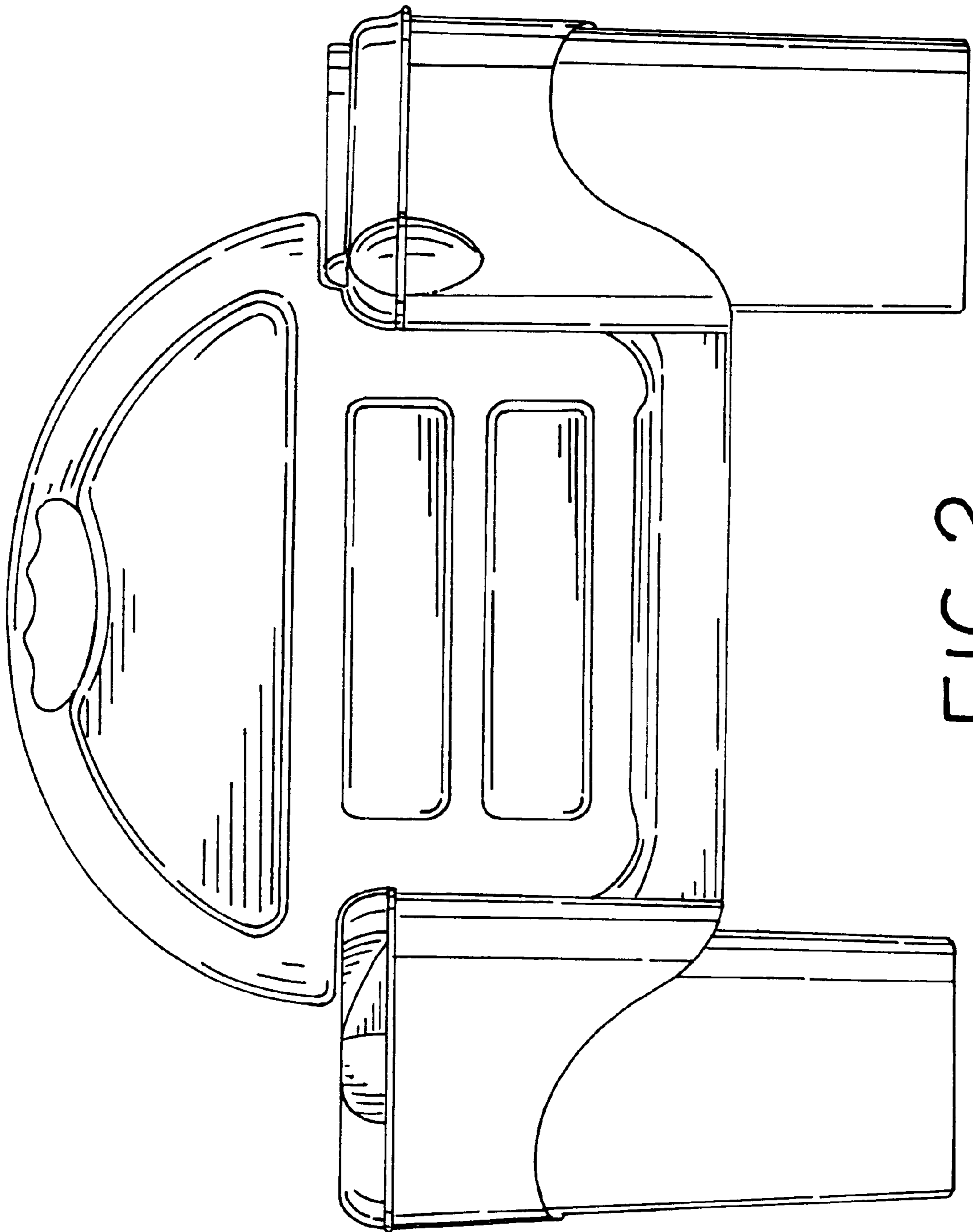


FIG. 2

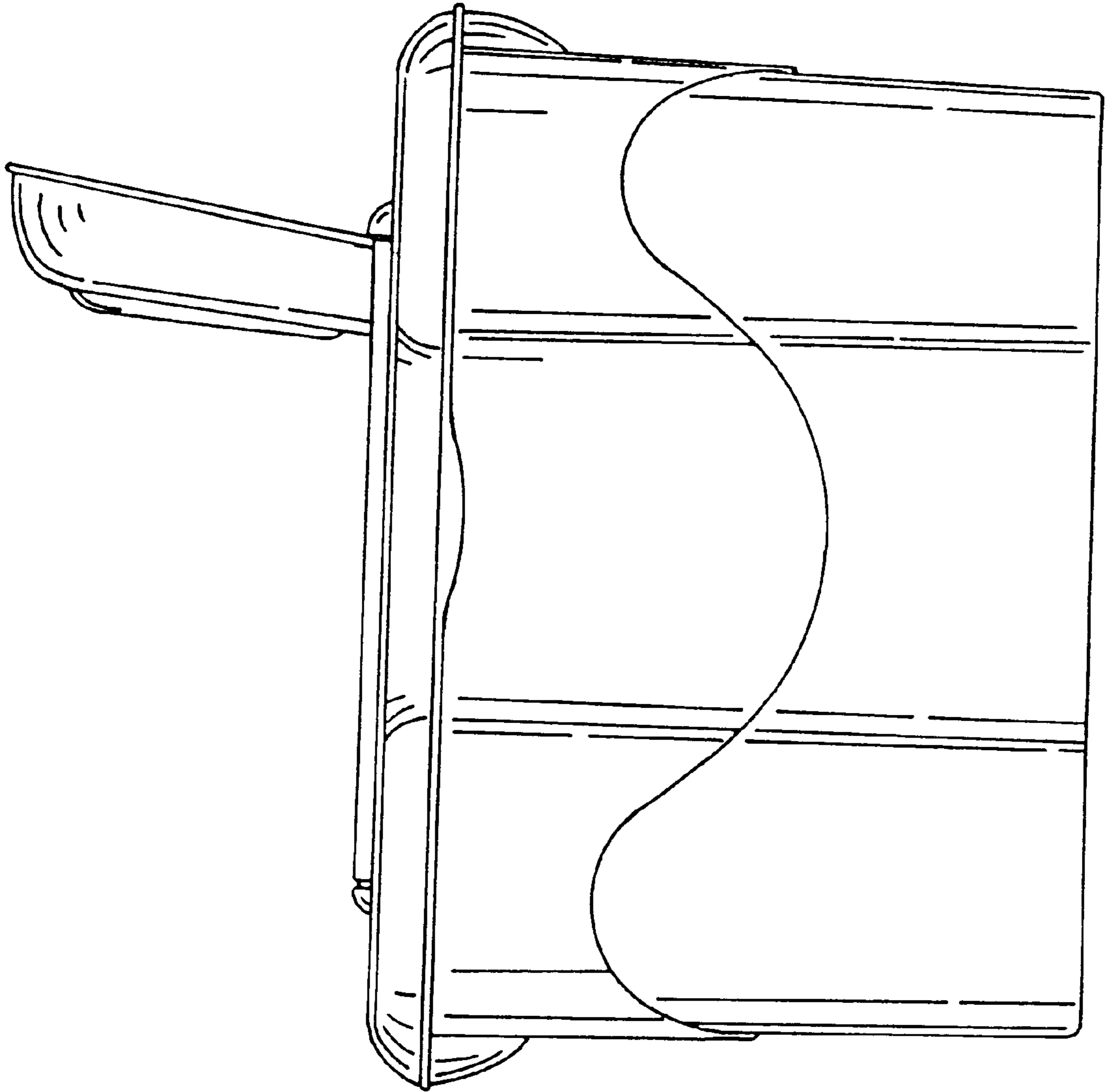


FIG. 3

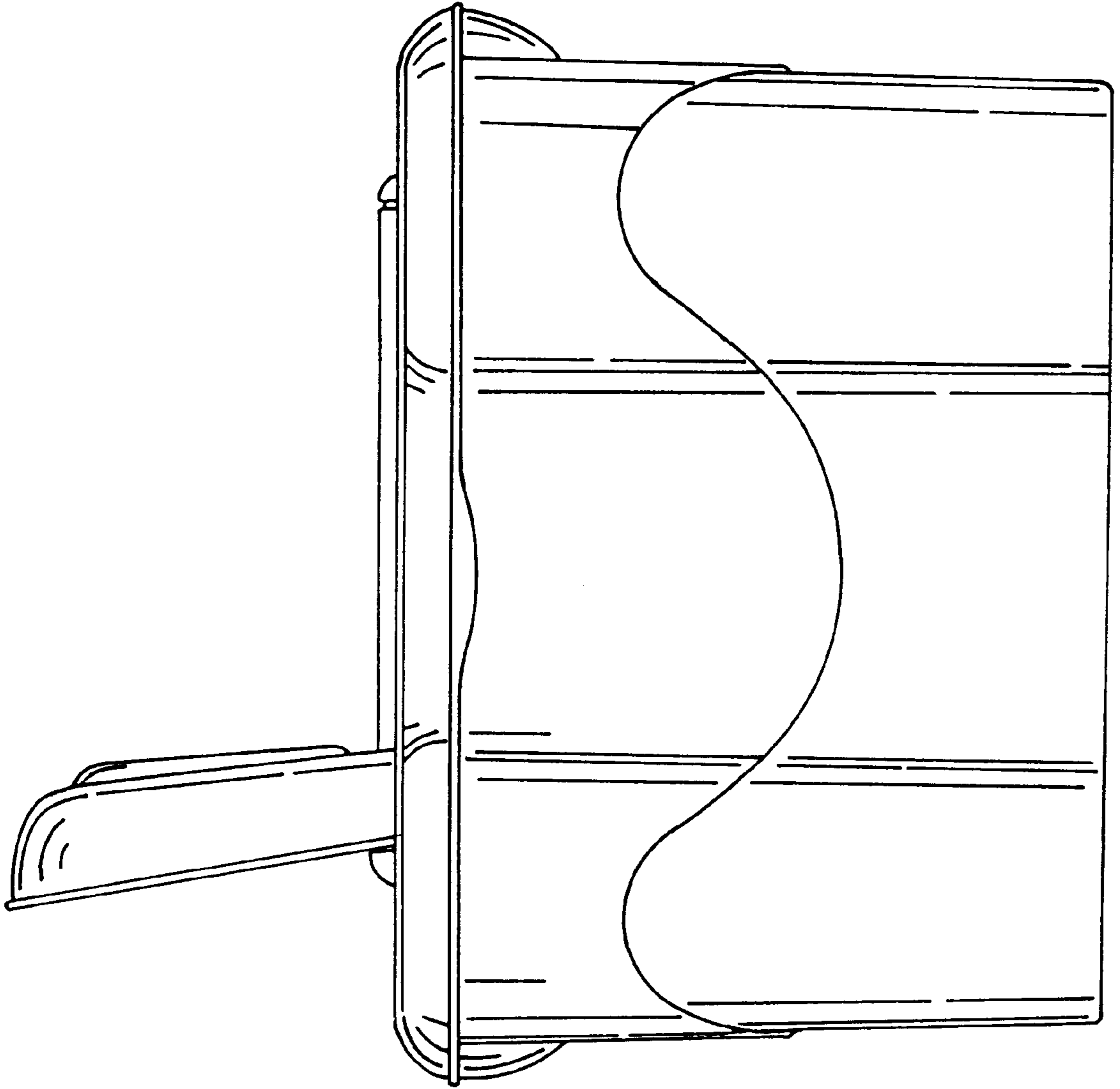


FIG. 4

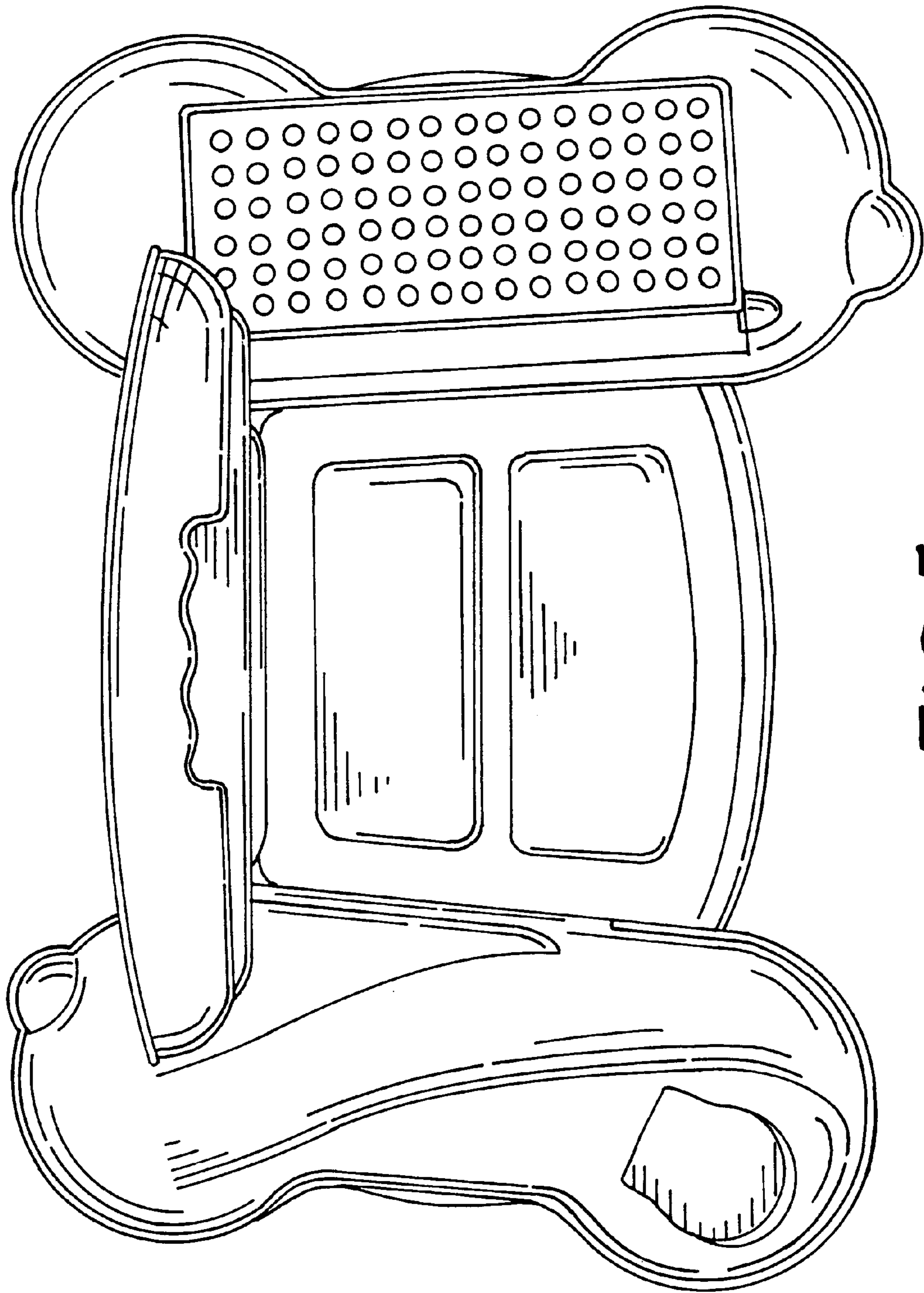


FIG. 5

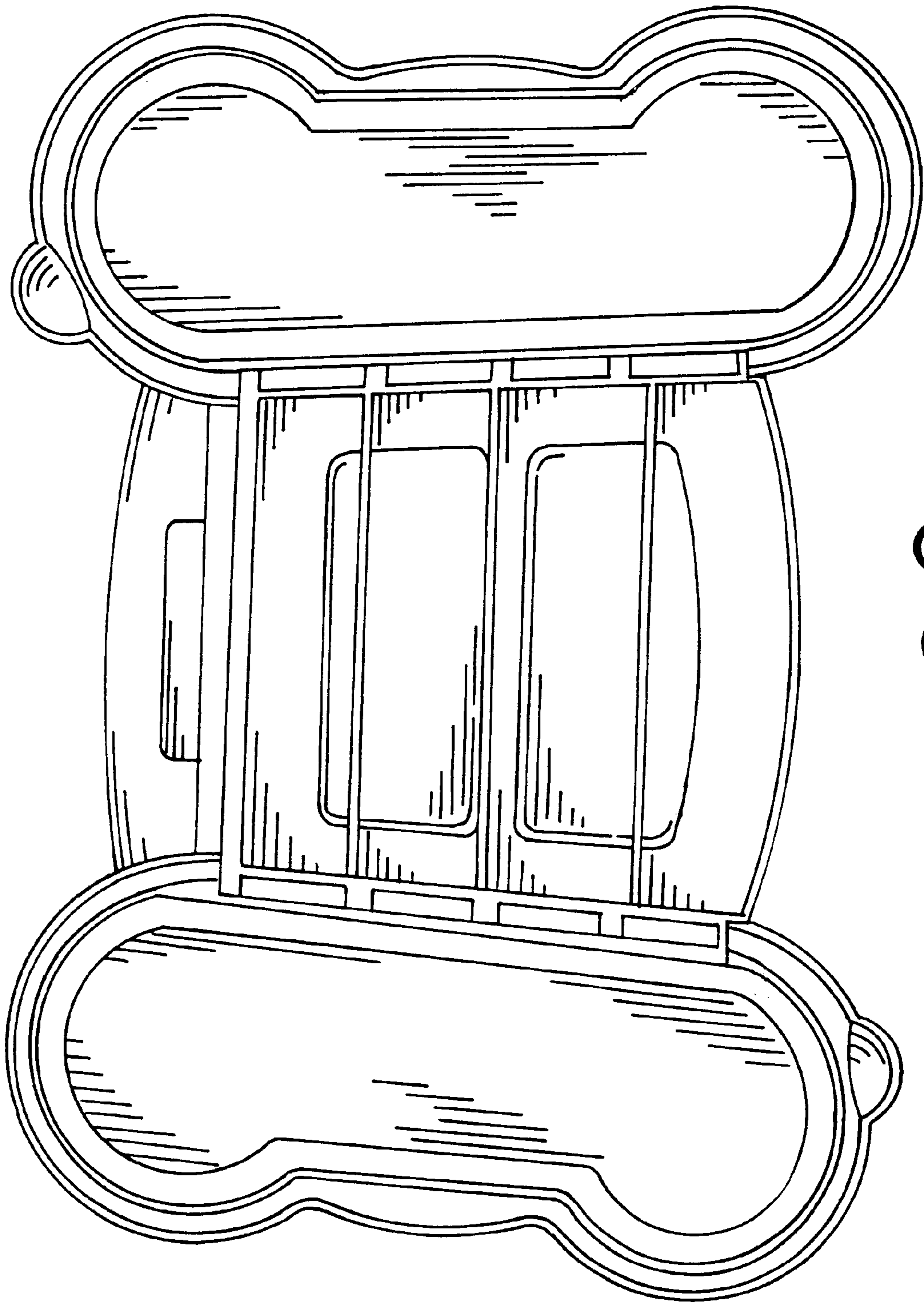


FIG. 6

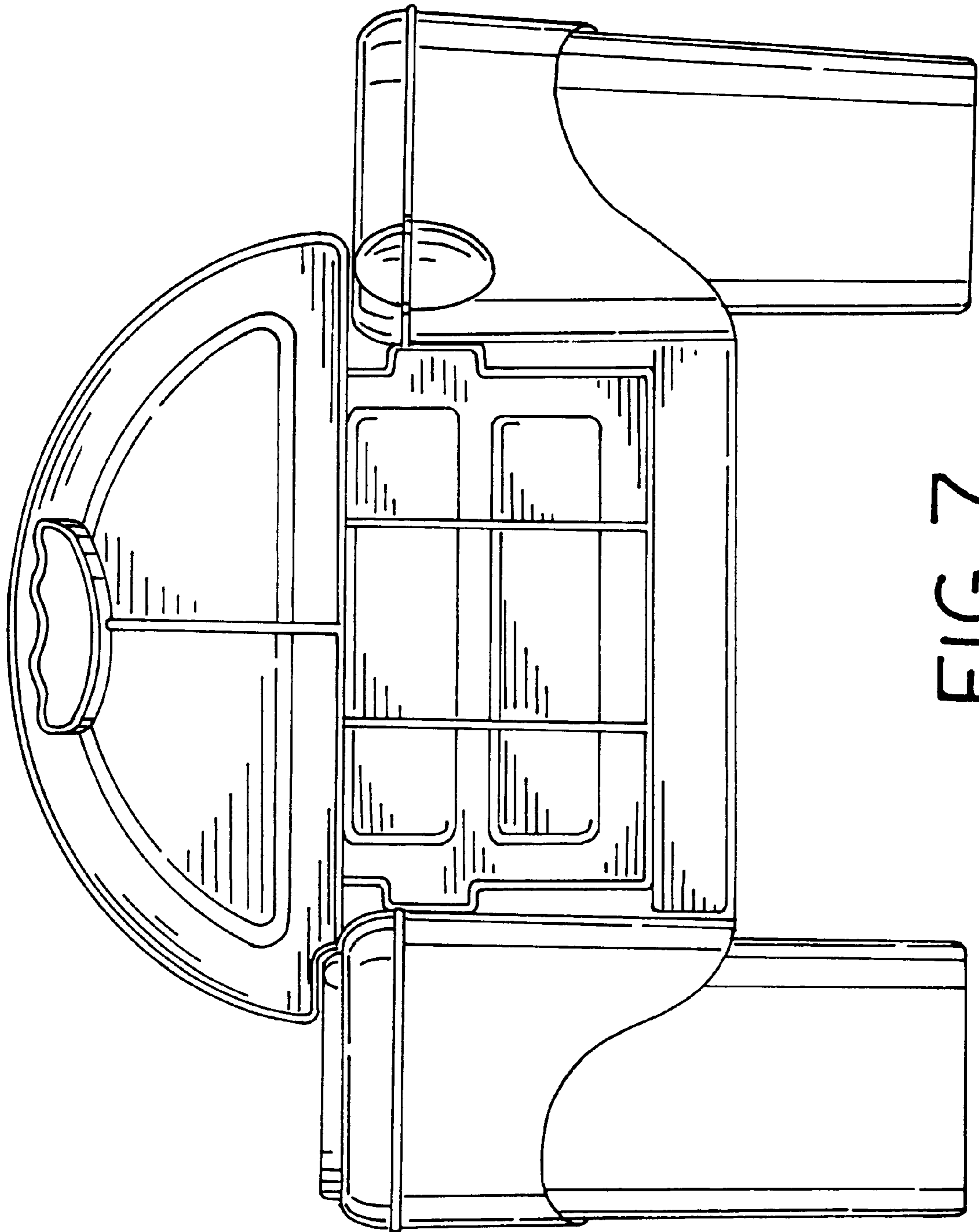


FIG. 7

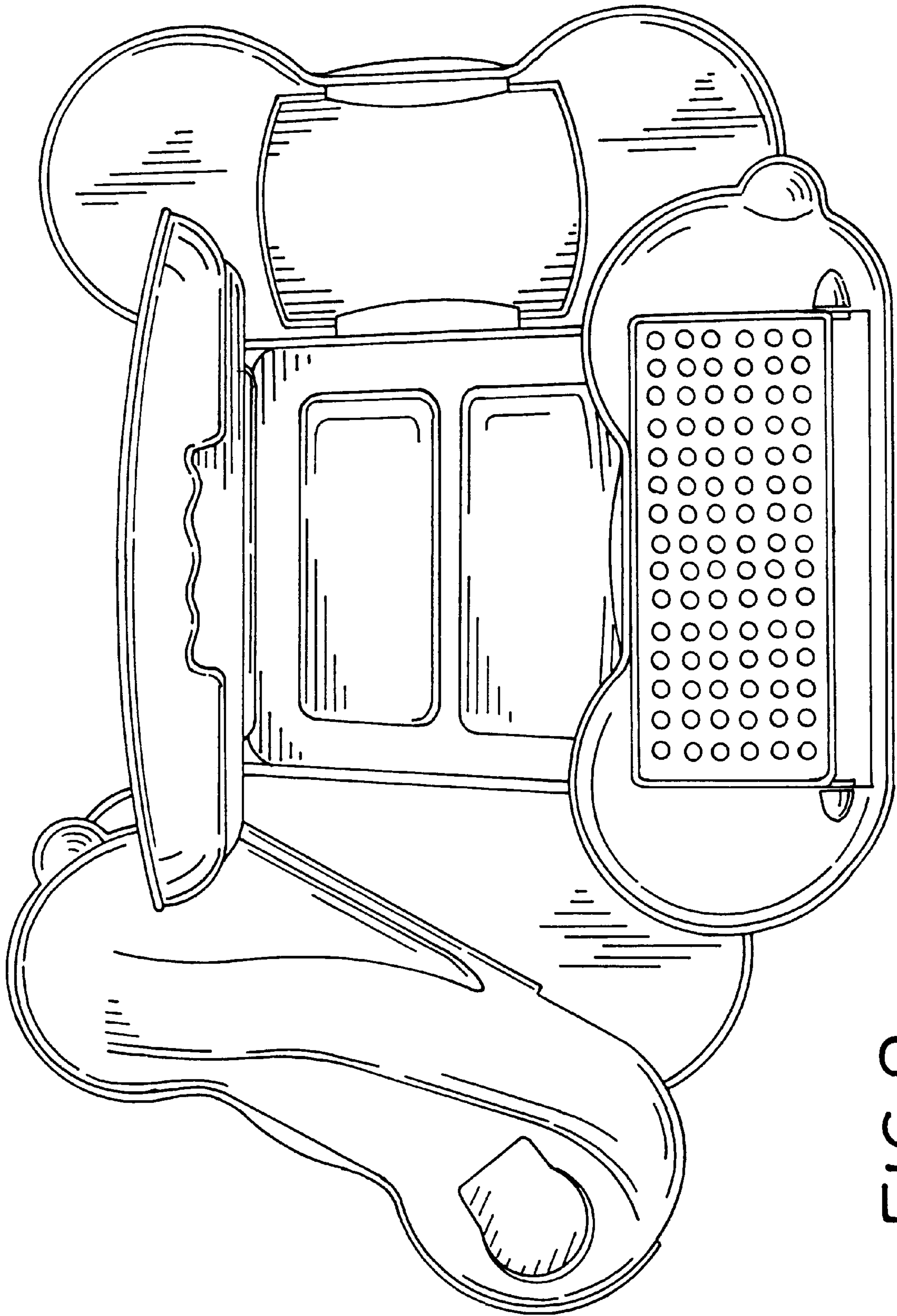


FIG. 8

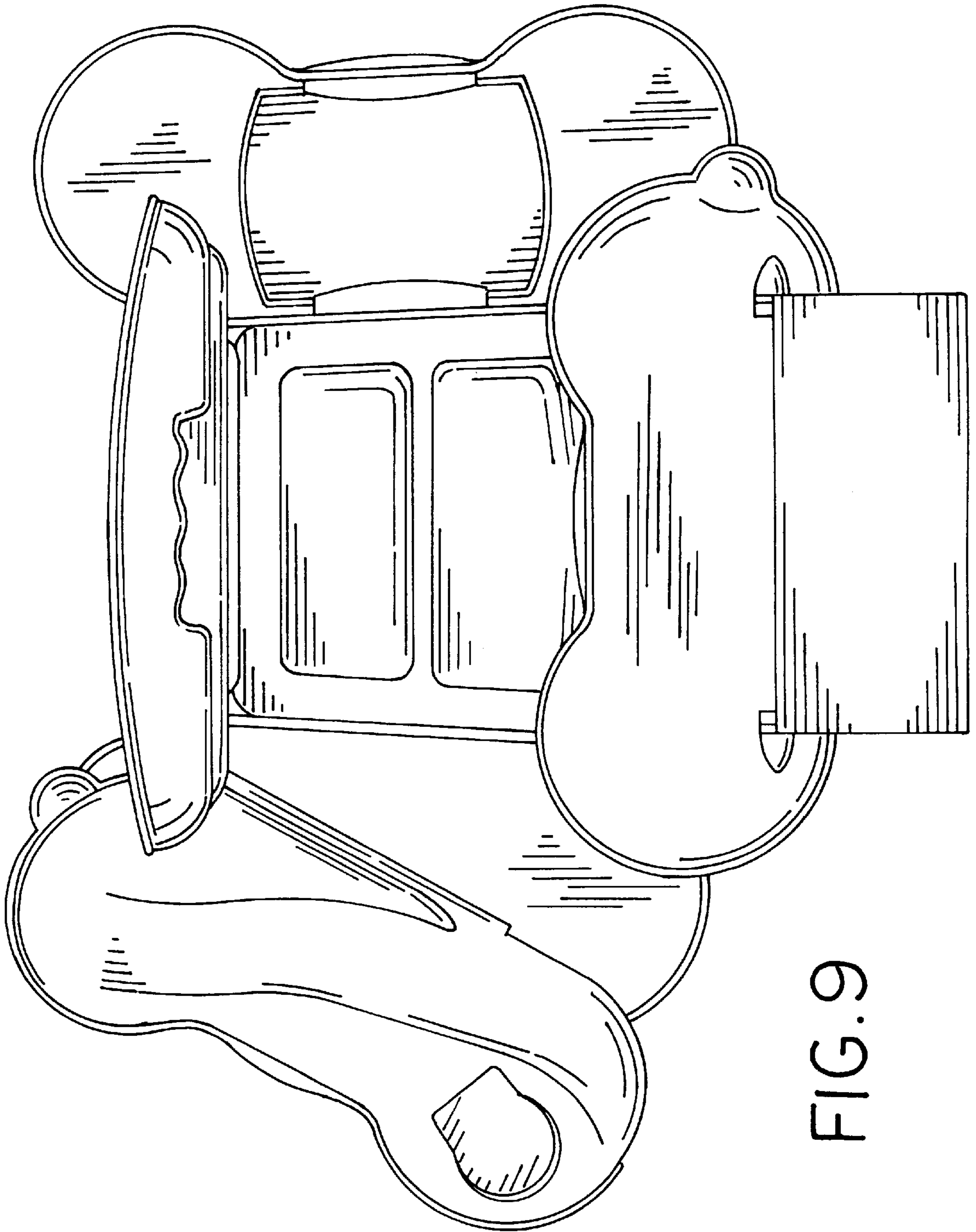


FIG. 9