



US00D455017S

(12) **United States Design Patent**  
**Tran**

(10) **Patent No.:** **US D455,017 S**

(45) **Date of Patent:** **\*\* Apr. 2, 2002**

(54) **SALON CHAIR AND SPA**

(76) Inventor: **Hy Van Tran**, 340 E. Alondra Blvd.,  
Gardena, CA (US) 90248

(\*\*) Term: **14 Years**

(21) Appl. No.: **29/136,555**

(22) Filed: **Feb. 2, 2001**

(51) **LOC (7) Cl.** ..... **06-01**

(52) **U.S. Cl.** ..... **D6/336**

(58) **Field of Search** ..... D6/333-336, 360,  
D6/361, 367, 500-502; D28/56, 61; 297/182,  
188.01, 188.09, 243.21, 310; 4/574.1, 622

(56) **References Cited**

**U.S. PATENT DOCUMENTS**

D412,600 S	*	8/1999	Oh et al.	.....	D28/56
D424,819 S	*	5/2000	Galati, Jr. et al.	.....	D6/336
D429,379 S	*	8/2000	Kim	.....	D28/56
D429,380 S	*	8/2000	Frontier et al.	.....	D28/56
D434,916 S	*	12/2000	Galati, Jr. et al.	.....	D6/336
D435,937 S	*	1/2001	Back et al.	.....	D28/61

\* cited by examiner

*Primary Examiner*—Doris V. Coles

*Assistant Examiner*—Mimosa De

(74) *Attorney, Agent, or Firm*—Michael A. Painter

(57) **CLAIM**

The ornamental design for a salon chair and spa, as shown and described.

**DESCRIPTION**

FIG. 1 is a front perspective view of a salon chair and spa illustrating my design;

FIG. 2 is a front elevation view thereof;

FIG. 3 is rear elevation view thereof;

FIG. 4 is a side elevation view of the salon chair and spa shown in FIG. 1, the opposite side elevation view being a mirror image thereof;

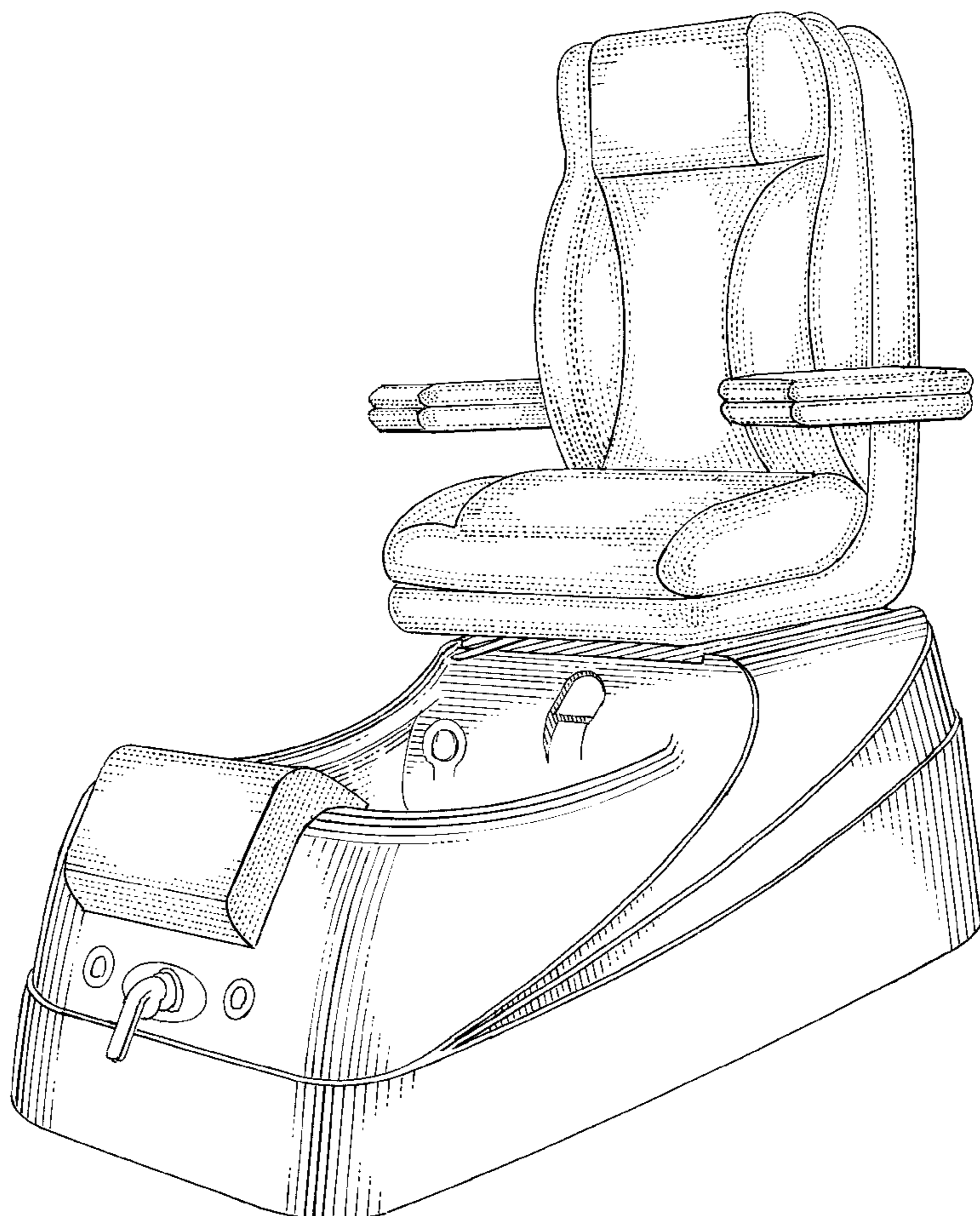
FIG. 5 is a top plan view thereof; and,

FIG. 6 is a bottom plan view thereof.

The broken lines showing spa fixtures are for the purpose of illustrating environmental structure only and do not form part of the claimed design.

The stipple broken lines on the chair cushion and the footrest cushion represent shading.

**1 Claim, 4 Drawing Sheets**



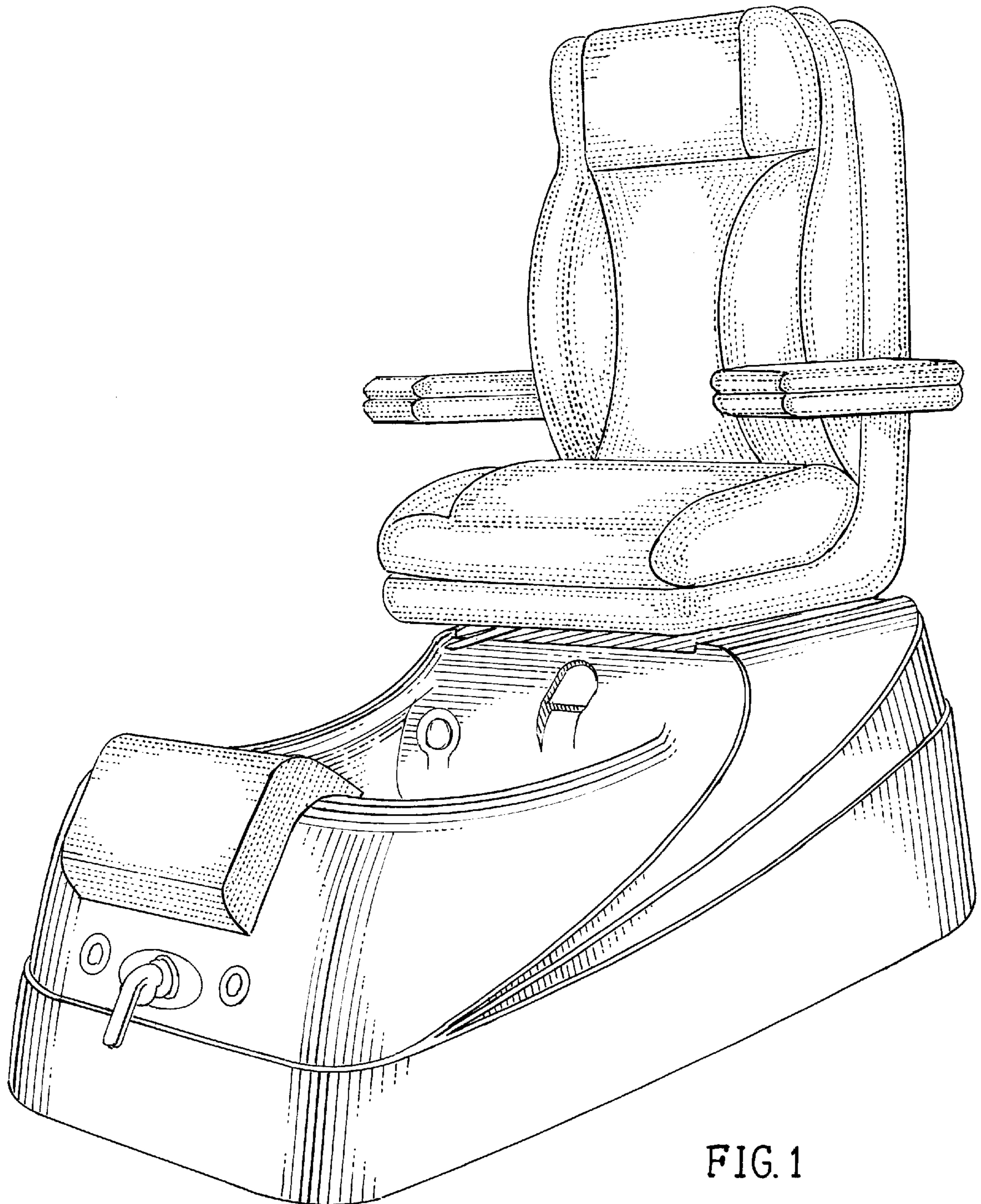


FIG. 1

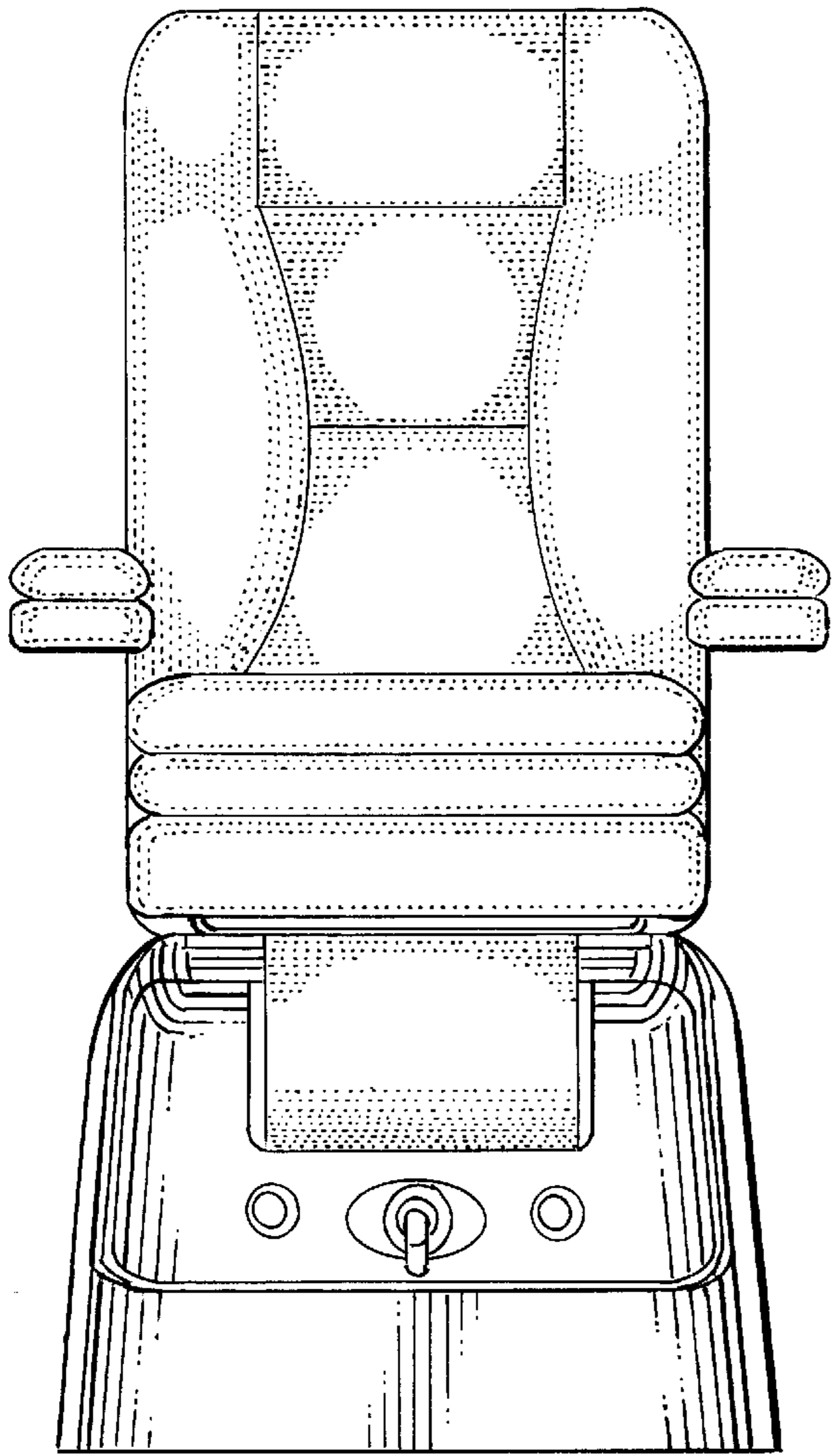


FIG. 2.

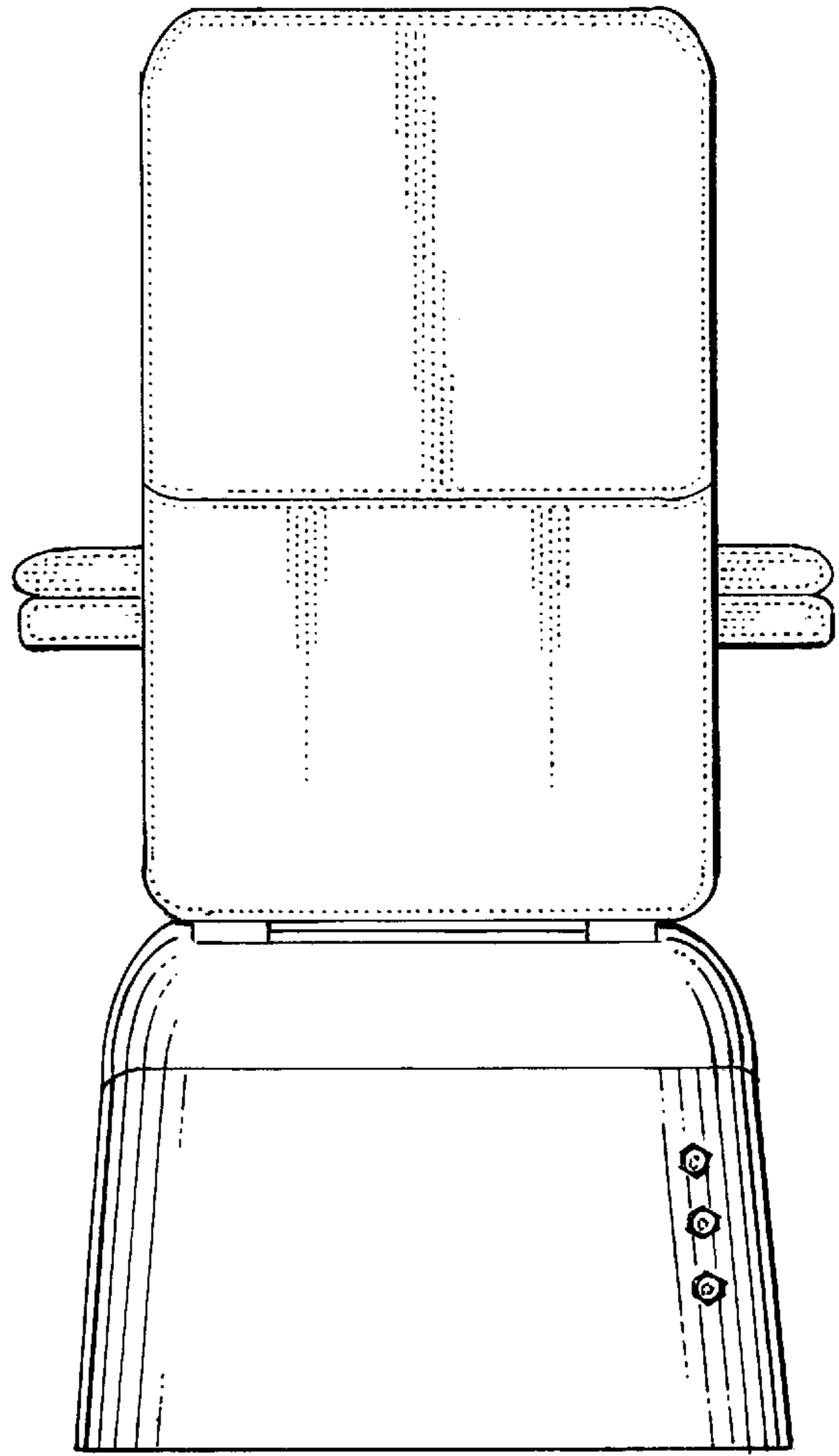


FIG. 3.

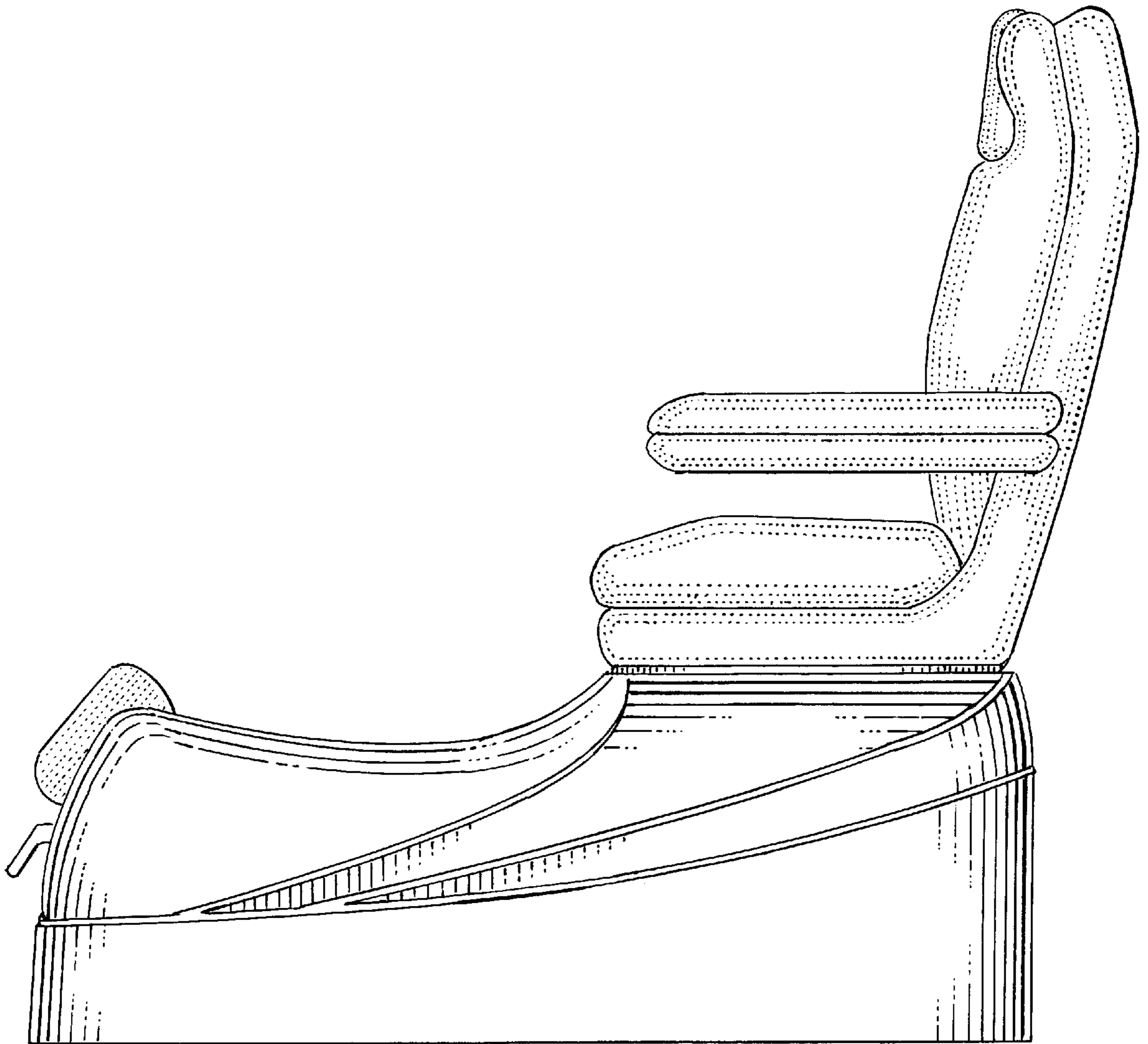


FIG. 4.

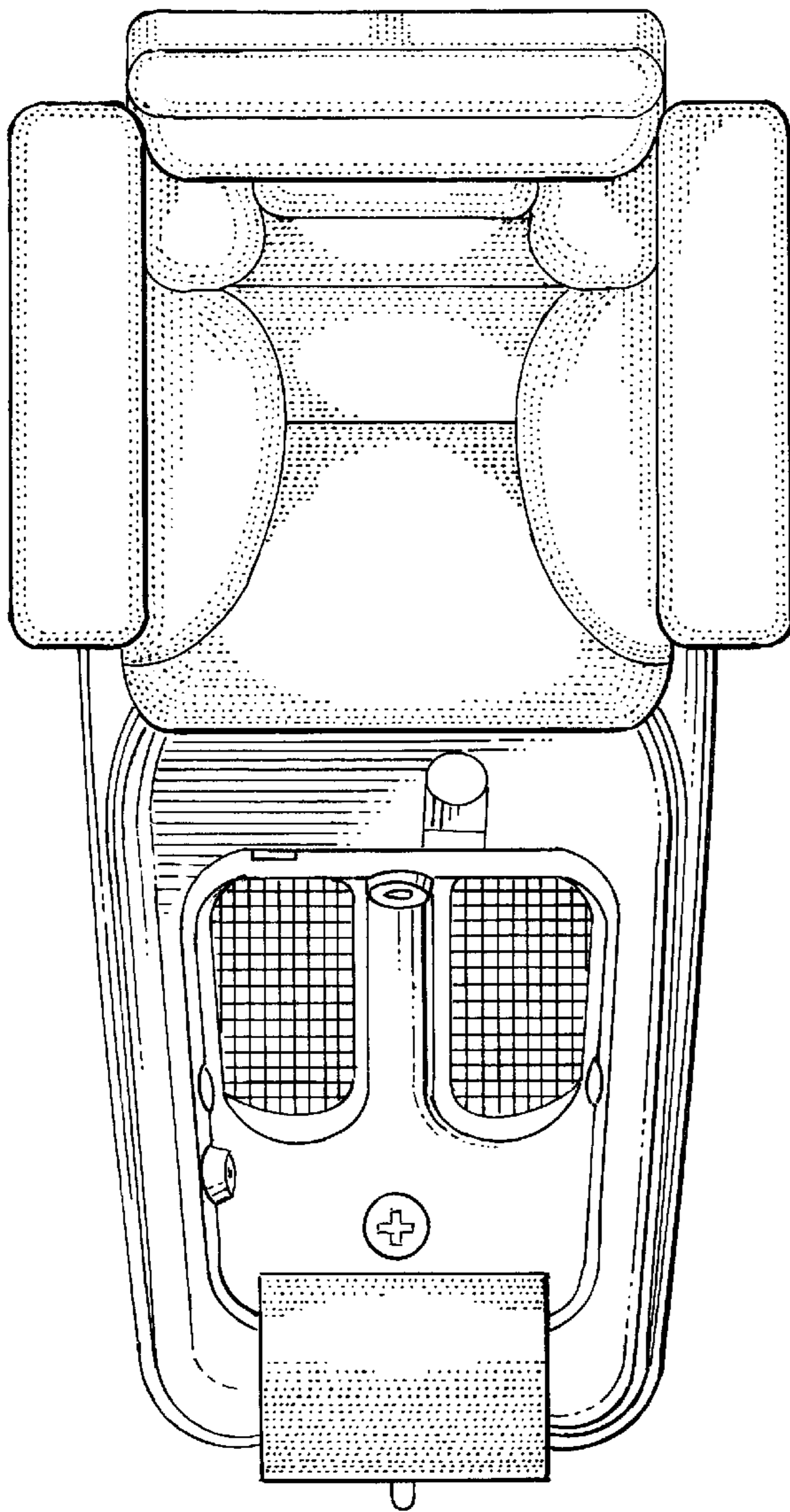


FIG. 5.

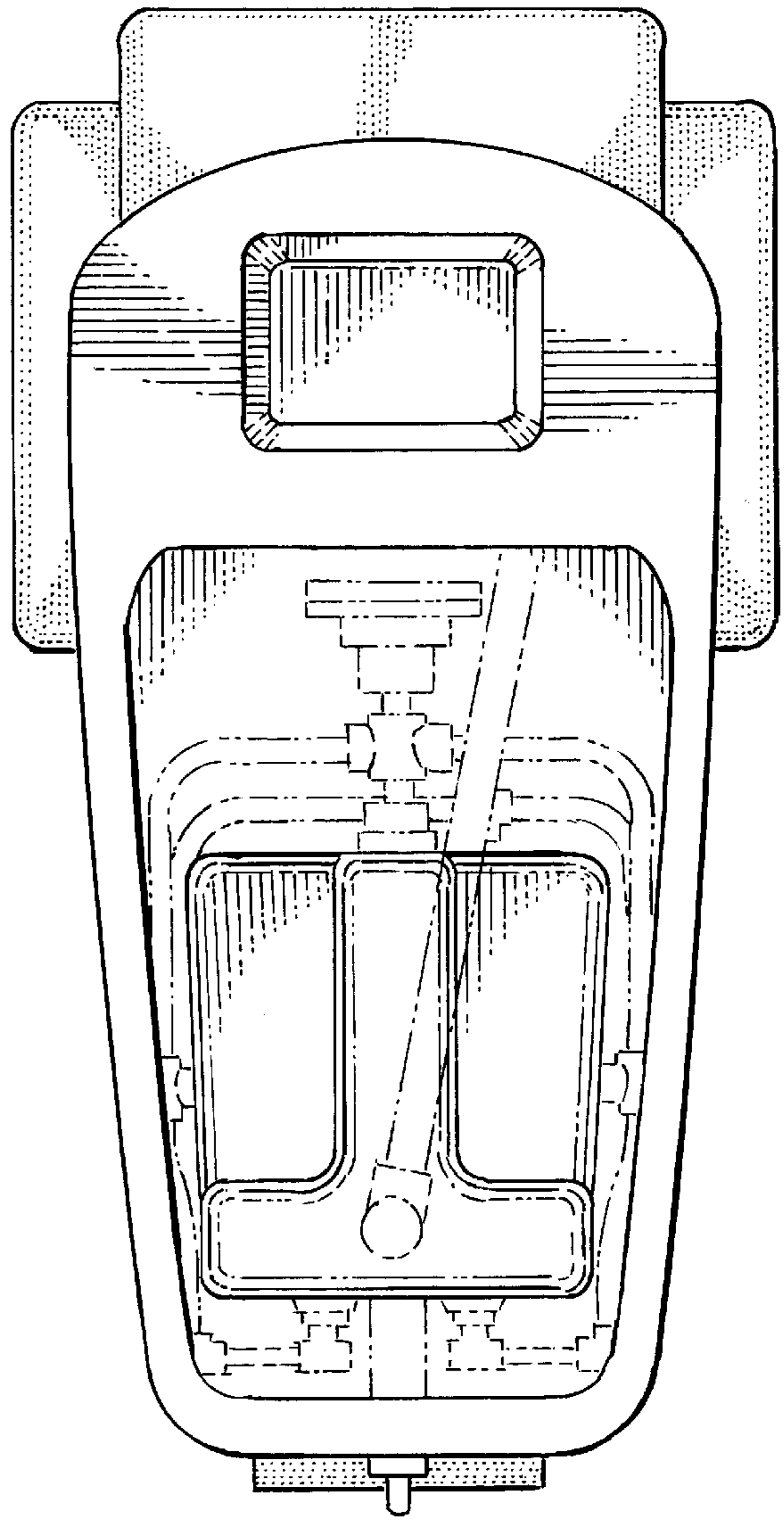


FIG. 6.