



US00D455009S

(12) **United States Design Patent**
Thayer

(10) **Patent No.:** **US D455,009 S**

(45) **Date of Patent:** **** Apr. 2, 2002**

- (54) **BACKPACK FOR COOLER**
- (75) Inventor: **John A. Thayer**, Knoxville, TN (US)
- (73) Assignee: **Team Up International, Inc.**, White Pine, TN (US)
- (**) Term: **14 Years**
- (21) Appl. No.: **29/141,359**
- (22) Filed: **May 4, 2001**
- (51) **LOC (7) Cl.** **03-01**
- (52) **U.S. Cl.** **D3/327; D3/316**
- (58) **Field of Search** D3/215, 216, 217, D3/327, 229; 119/497; 190/110; 224/153, 259, 579, 627, 628, 629, 631, 643, 646, 647, 652, 653, 656, 657; 294/157

- 5,657,917 A * 8/1997 Johnson et al. 224/582
- D396,347 S 7/1998 Jenkins et al.
- D406,942 S * 3/1999 Santoro D3/216
- D413,015 S * 8/1999 Albers D3/216
- 5,934,527 A * 8/1999 Neumann 224/153
- 5,954,250 A * 9/1999 Hall et al. 224/262
- 5,961,014 A * 10/1999 Knerr 224/259
- D428,696 S * 8/2000 Fier D3/217
- 6,095,389 A * 8/2000 Fenton et al. 224/627
- D430,970 S * 9/2000 Hoehn et al. D3/215
- 6,135,333 A * 10/2000 Tucker et al. 224/646

* cited by examiner

Primary Examiner—Celia Murphy

(74) *Attorney, Agent, or Firm*—Luedeka, Neely & Graham, P.C.

(57) **CLAIM**

The ornamental design for a backpack for cooler, as shown and described.

(56) **References Cited**

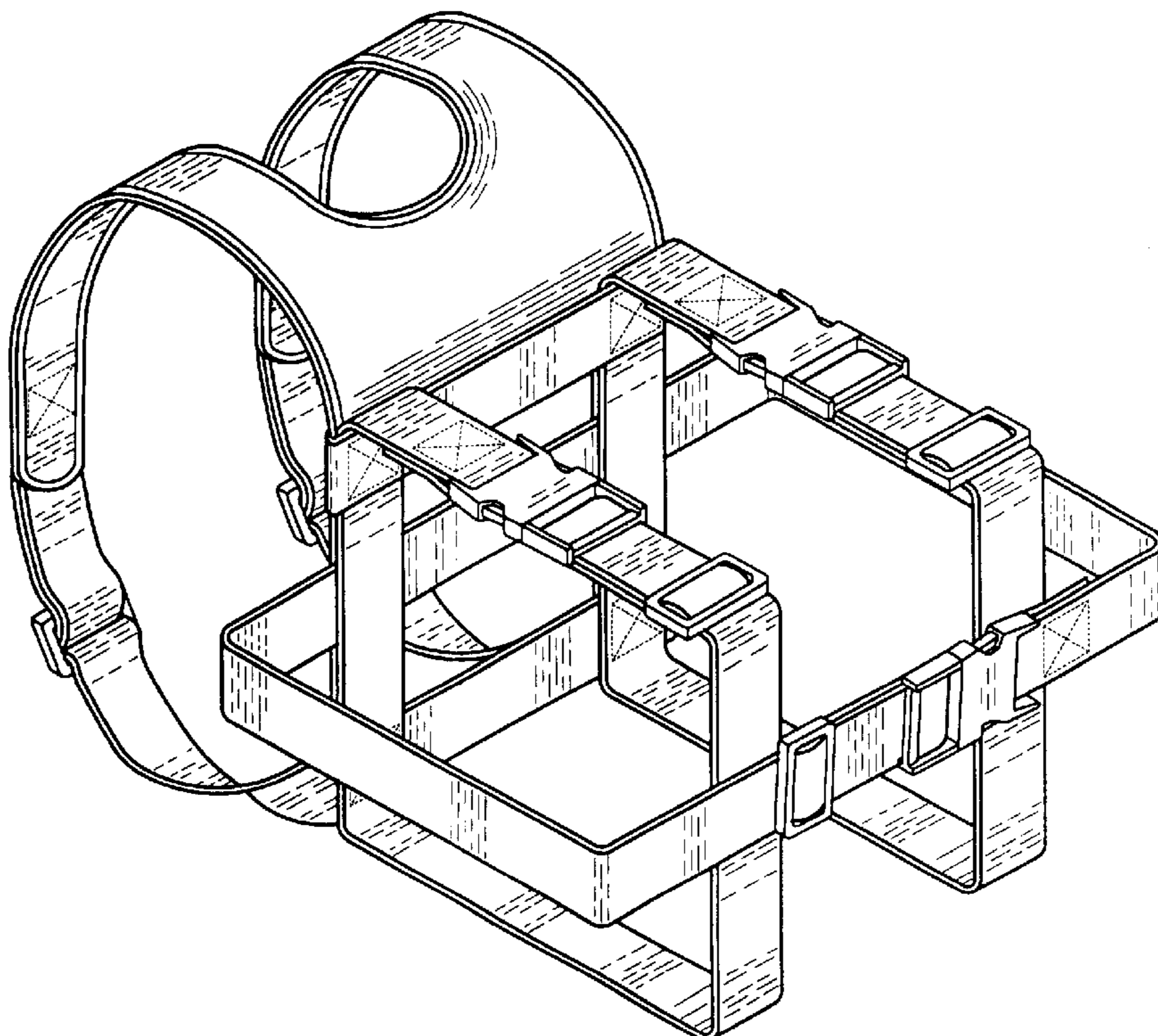
U.S. PATENT DOCUMENTS

- D222,647 S * 11/1971 DeKam
- D232,869 S * 9/1974 Yoshimura
- 3,923,222 A * 12/1975 Groves 294/157
- 4,609,084 A * 9/1986 Thomas 190/110
- D299,792 S * 2/1989 Winter D3/327
- D340,134 S * 10/1993 Pollack D3/217
- D344,852 S * 3/1994 McManaman D3/229
- 5,337,934 A * 8/1994 Johnson et al. 224/153
- 5,345,633 A * 9/1994 Harnish
- D352,165 S * 11/1994 Covertson
- 5,419,281 A * 5/1995 Williams et al. 119/497
- D368,372 S * 4/1996 Dennison D3/327

DESCRIPTION

FIG. 1 is a perspective view of the top, back and left side of a backpack for cooler showing my new design;
 FIG. 2 is a left side view thereof;
 FIG. 3 is a right side view thereof;
 FIG. 4 is a top view thereof;
 FIG. 5 is a bottom view thereof;
 FIG. 6 is a back view thereof; and,
 FIG. 7 is a front view thereof.
 The broken lines shown throughout the views are understood to represent stitching.

1 Claim, 4 Drawing Sheets



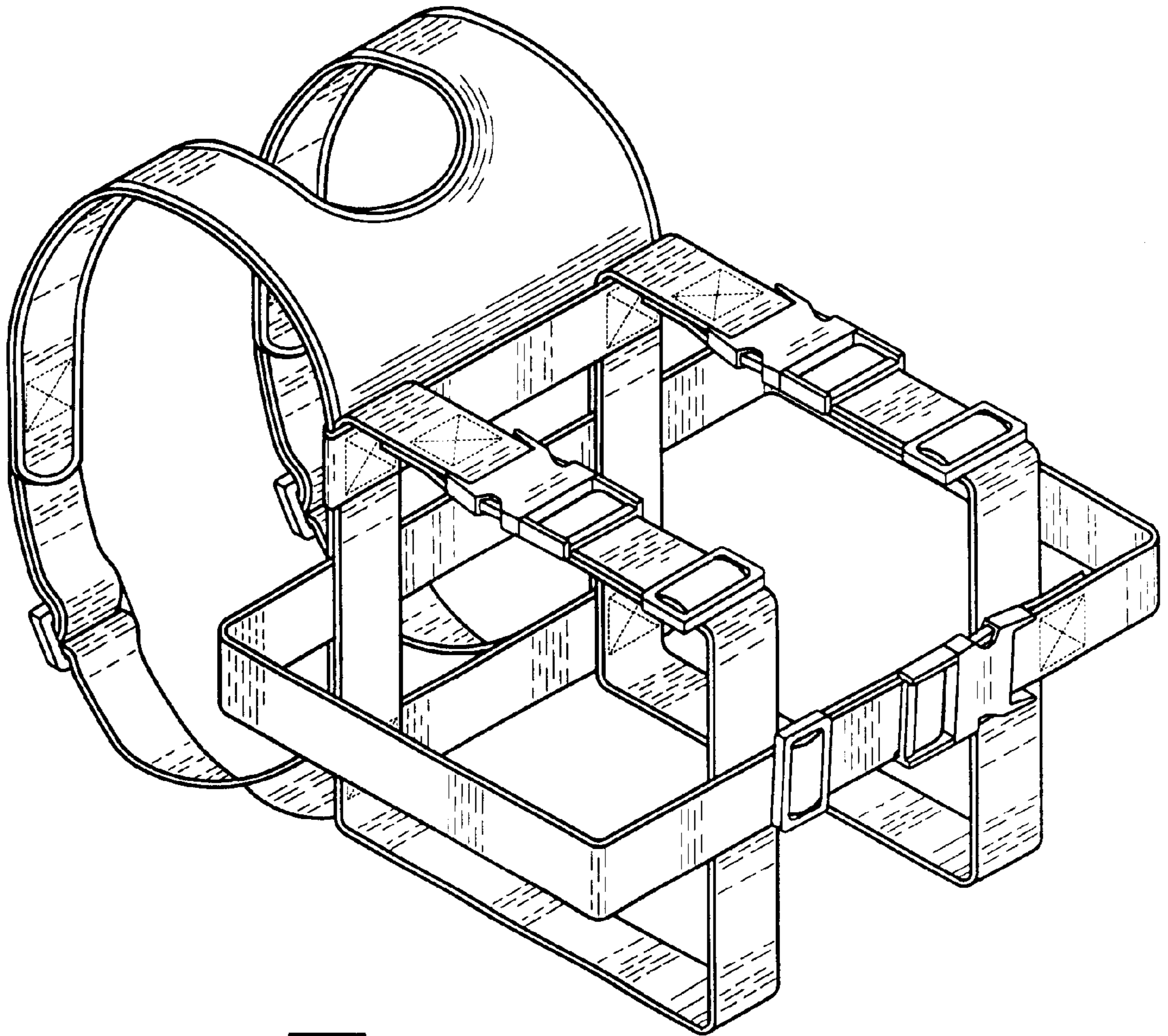


Fig. 1

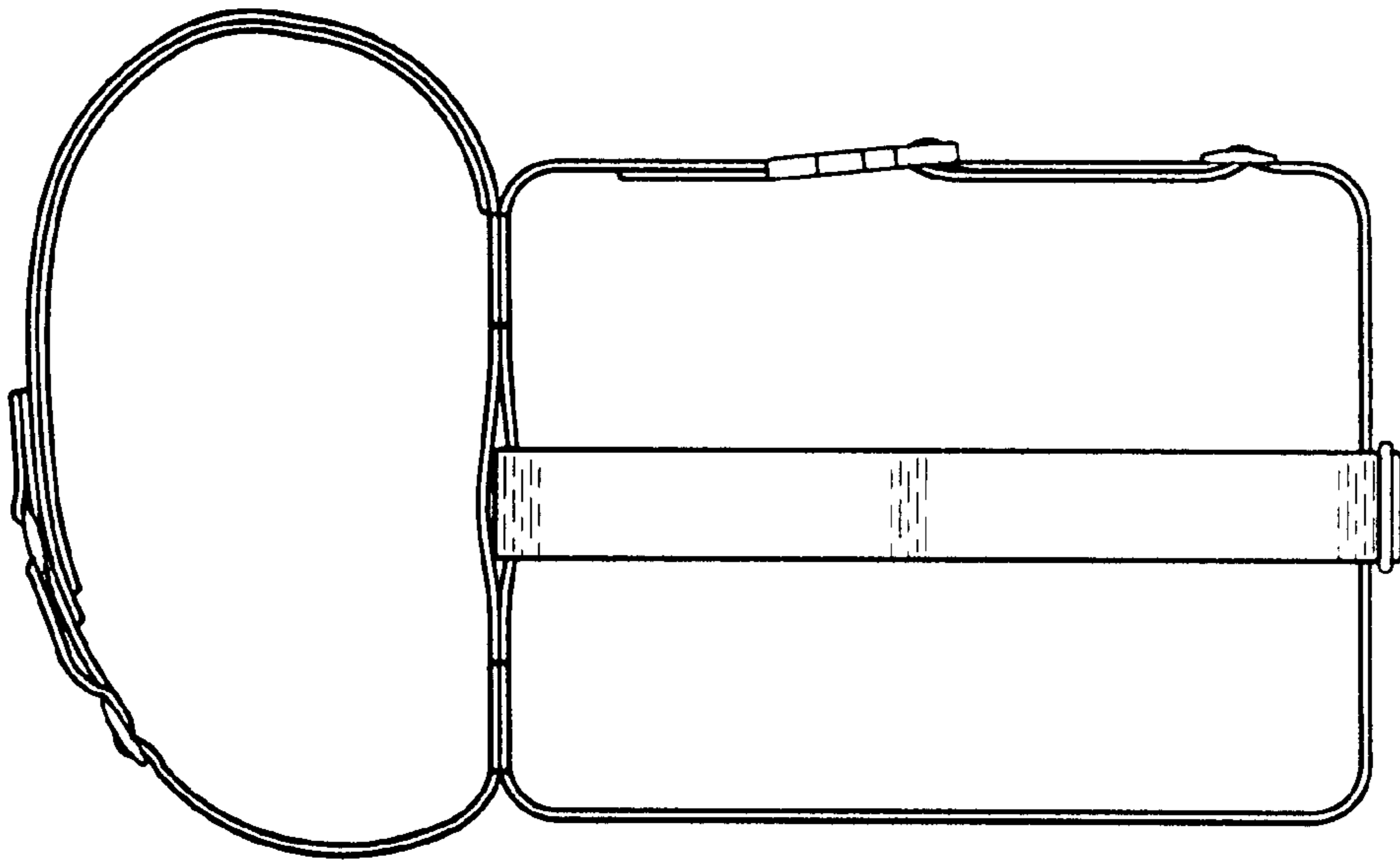


Fig. 2

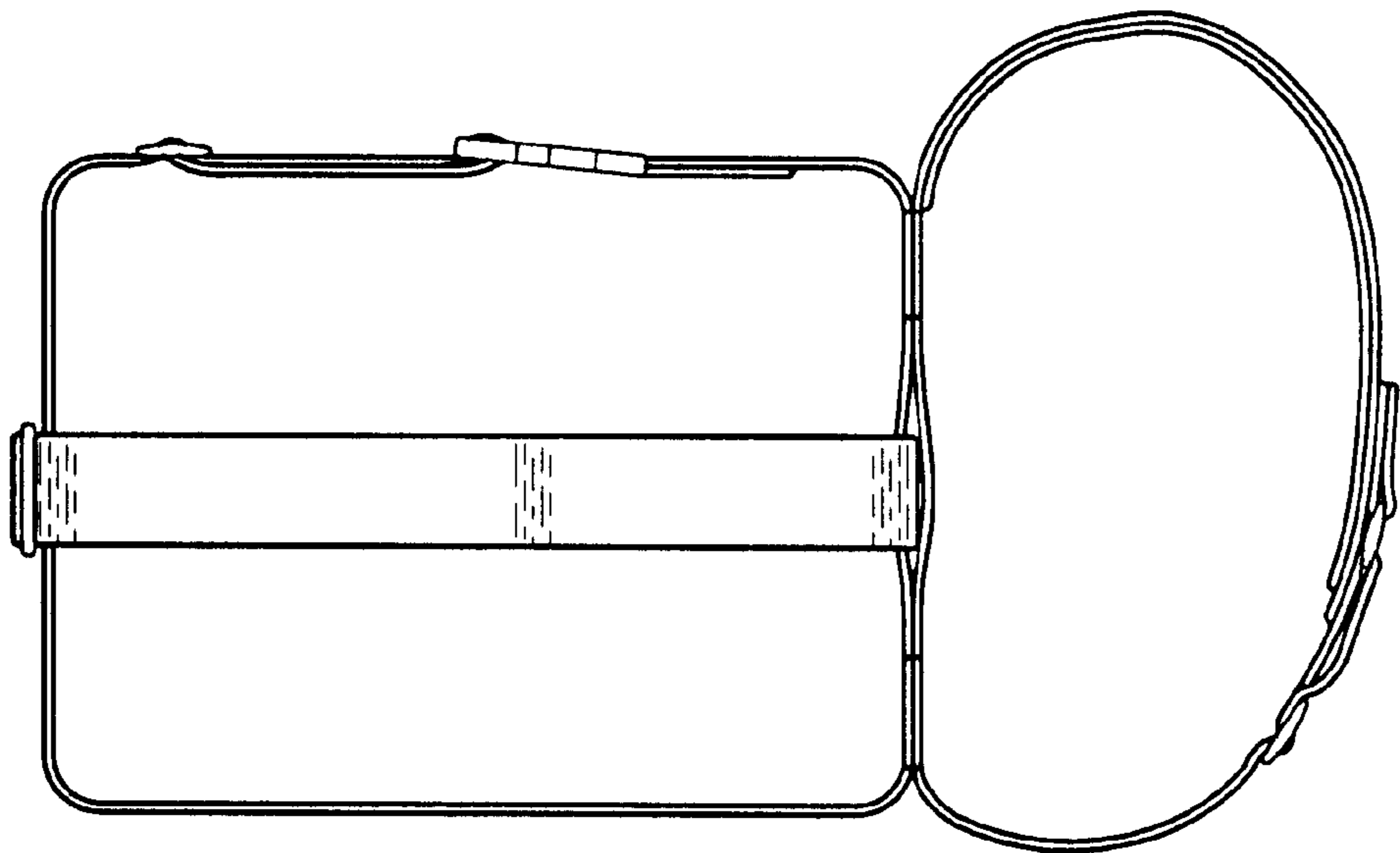


Fig. 3

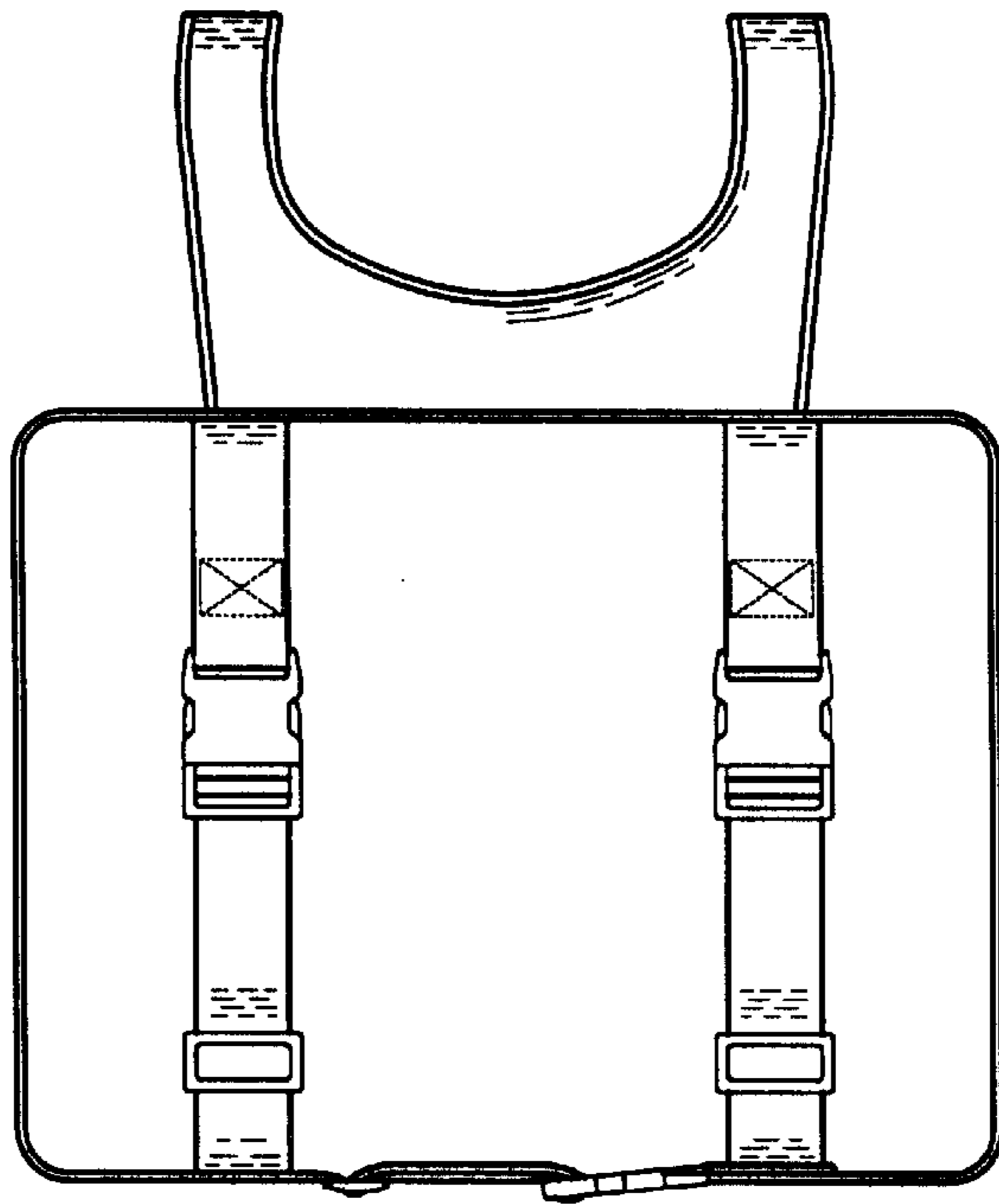


Fig. 4

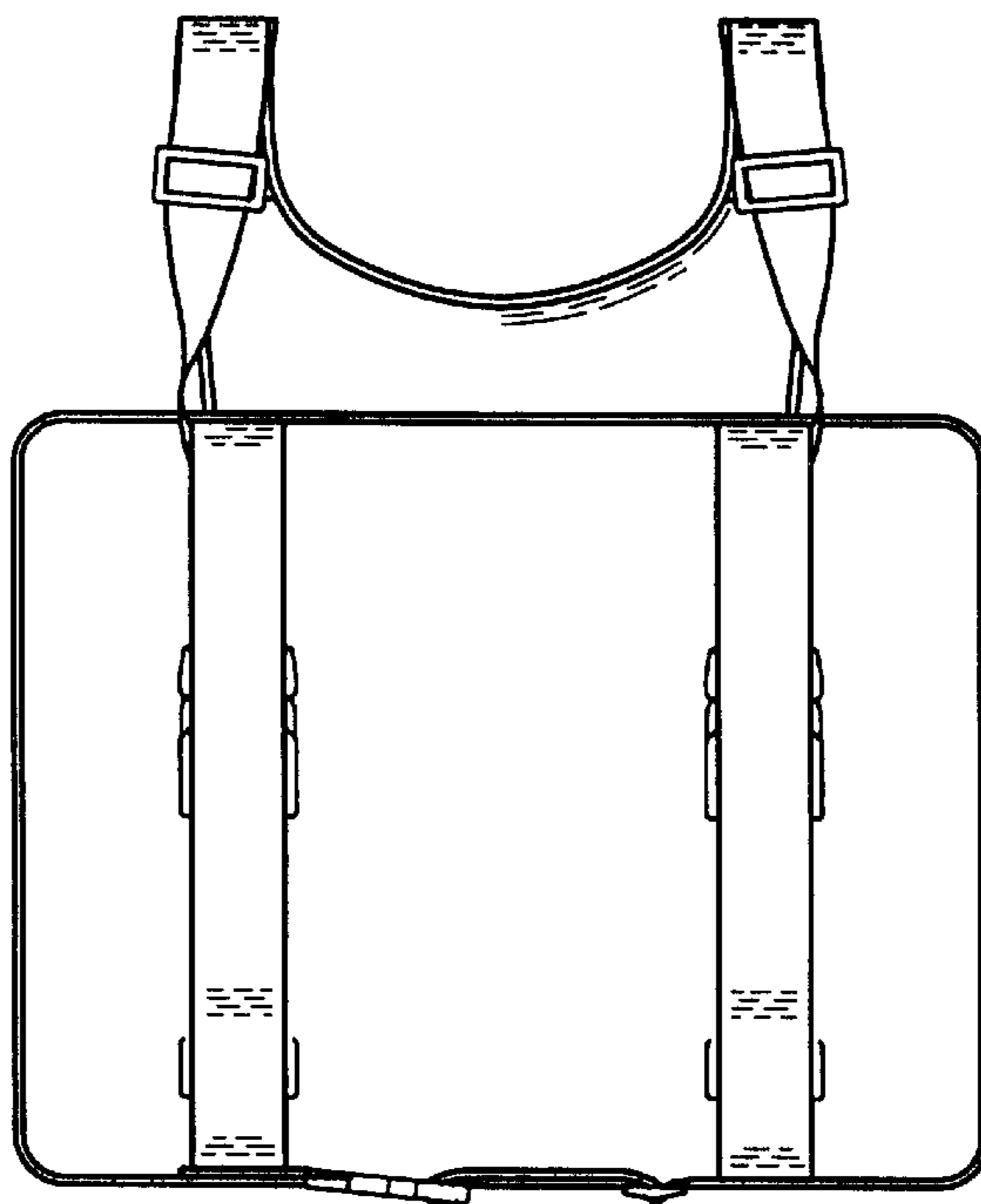


Fig. 5

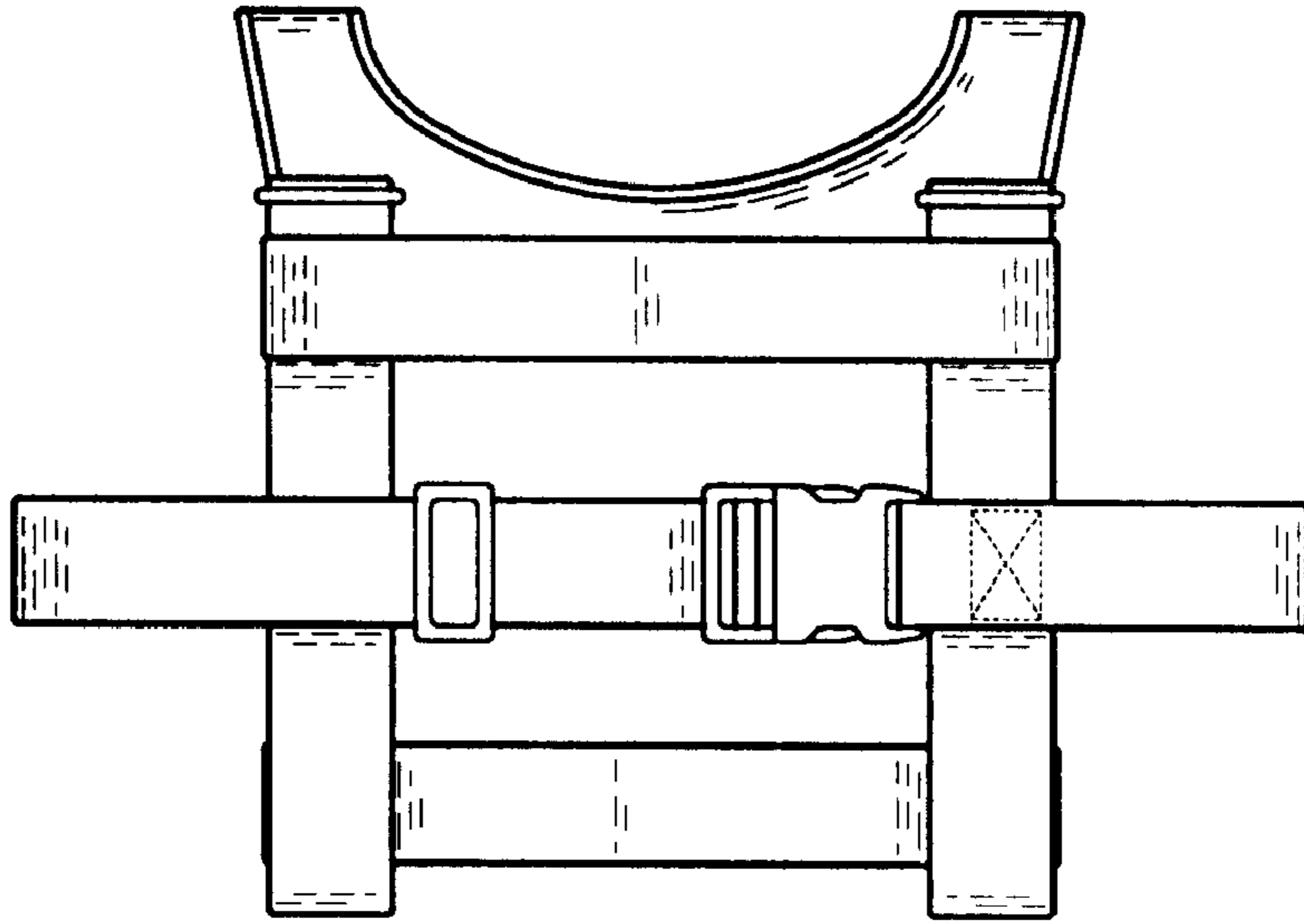


Fig. 6

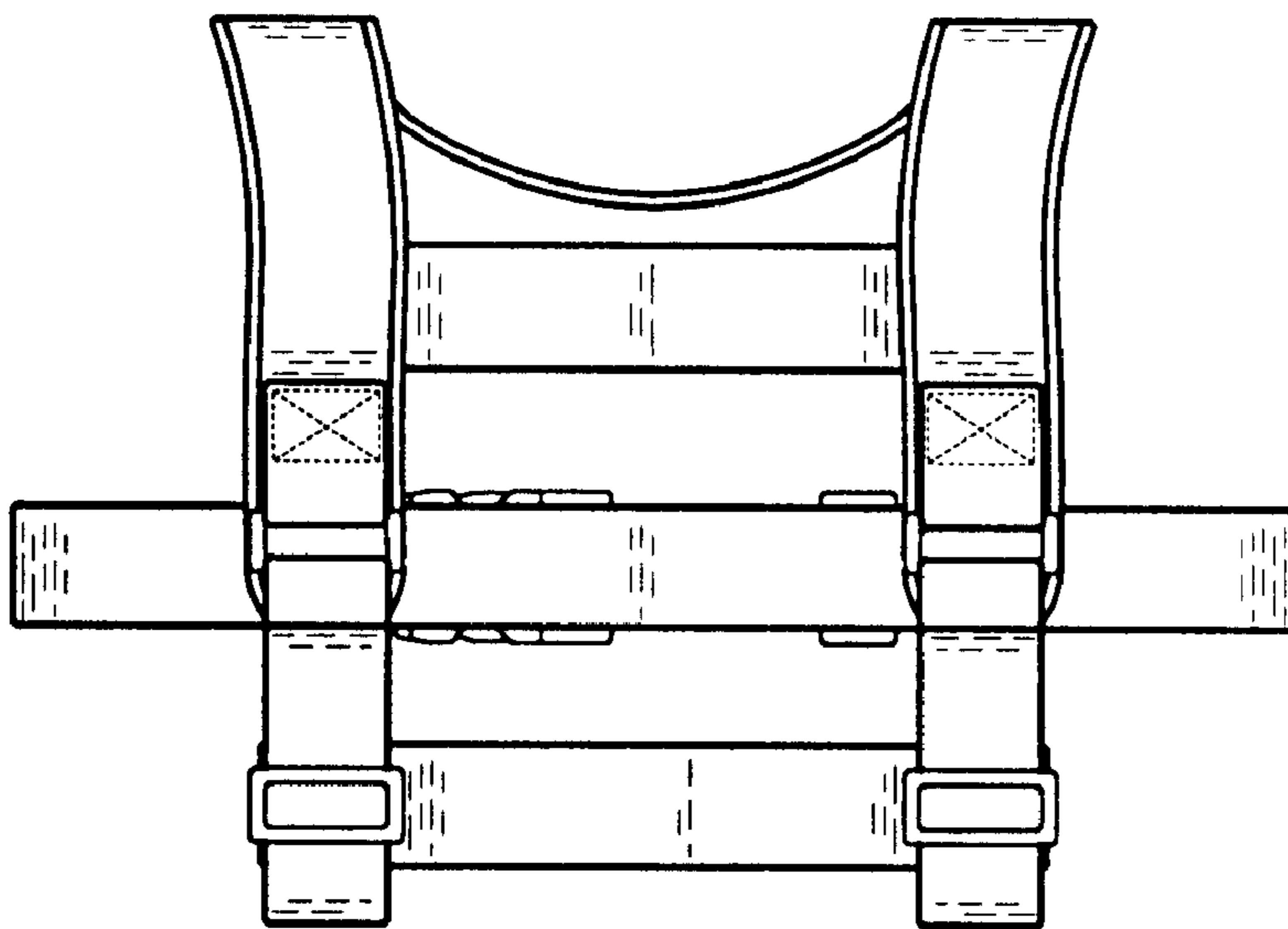


Fig. 7