



US00D455005S

(12) **United States Design Patent**
Wolf

(10) **Patent No.:** **US D455,005 S**

(45) **Date of Patent:** **** Apr. 2, 2002**

(54) **SQUARE ZIPPERED TRAVEL CASE**

(75) Inventor: **Simon Wolf**, Malibu, CA (US)

(73) Assignee: **Wolf Designs, Inc.**, Malibu, CA (US)

(**) Term: **14 Years**

(21) Appl. No.: **29/138,575**

(22) Filed: **Mar. 15, 2001**

(51) **LOC (7) Cl.** **03-01**

(52) **U.S. Cl.** **D3/205**

(58) **Field of Search** D3/201, 205, 274,
D3/295, 303, 901; D23/77, 83; 132/286,
312; 206/579, 581, 823

(56) **References Cited**

U.S. PATENT DOCUMENTS

2,092,834 A	*	9/1937	Doppelt	206/581
2,143,062 A	*	1/1939	Ericson	206/581
D151,950 S	*	12/1948	Anderson	D3/901
3,397,706 A	*	8/1968	Hogan	132/312
D396,750 S	*	8/1998	Slater et al.	D3/295

6,109,442 A * 8/2000 Roegner 206/823 X

* cited by examiner

Primary Examiner—Louis S. Zarfes

Assistant Examiner—Monica A. Weingart

(74) *Attorney, Agent, or Firm*—Cislo & Thomas LLP

(57) **CLAIM**

The ornamental design for a square zippered travel case, as shown and described herein.

DESCRIPTION

FIG. 1. Is a front perspective view of my square zippered travel case;

FIG. 2. Is a view similar to FIG. 1, but illustrating the article in the open position;

FIG. 3. Is a front view thereof;

FIG. 4. Is a rear view thereof;

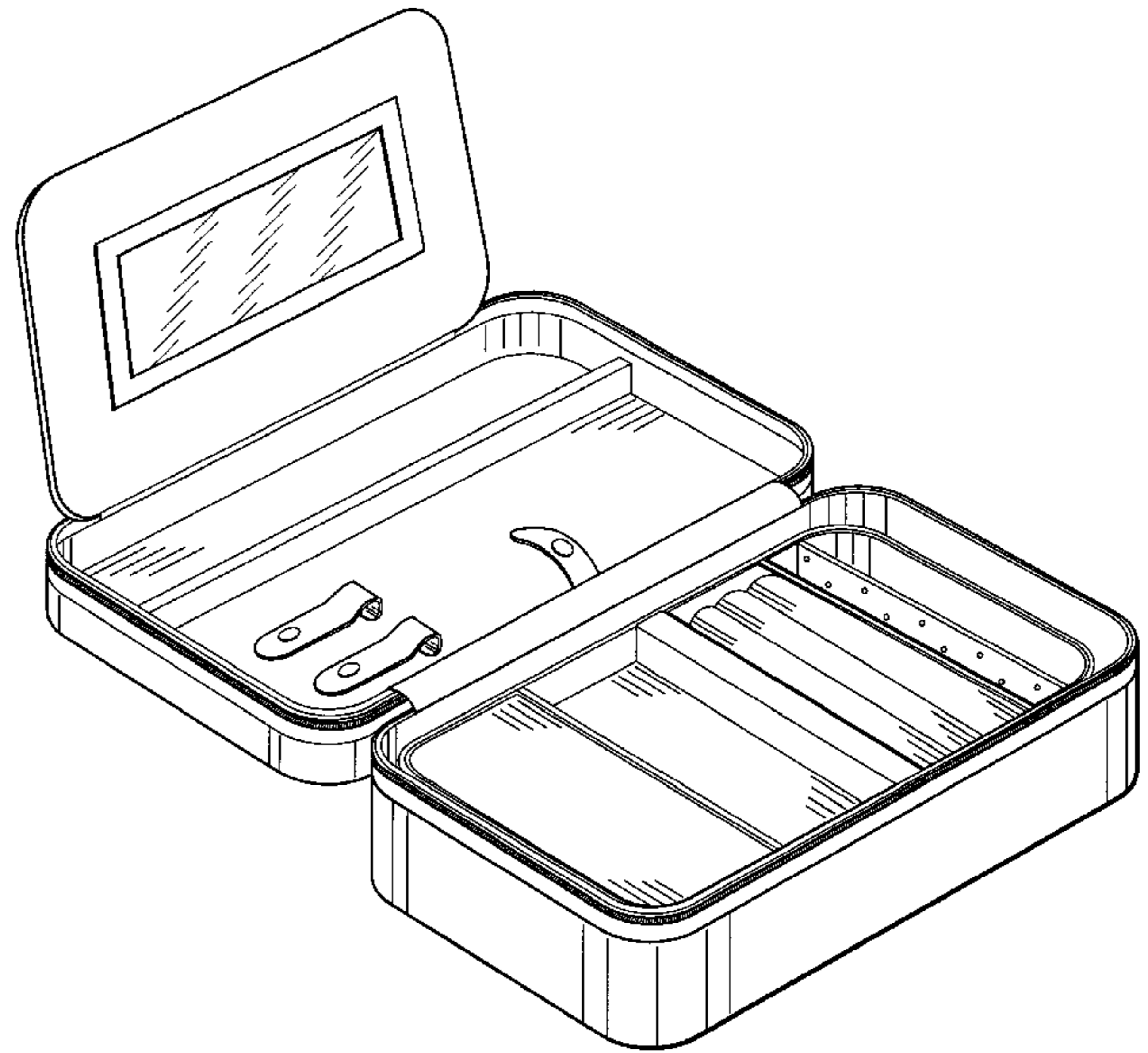
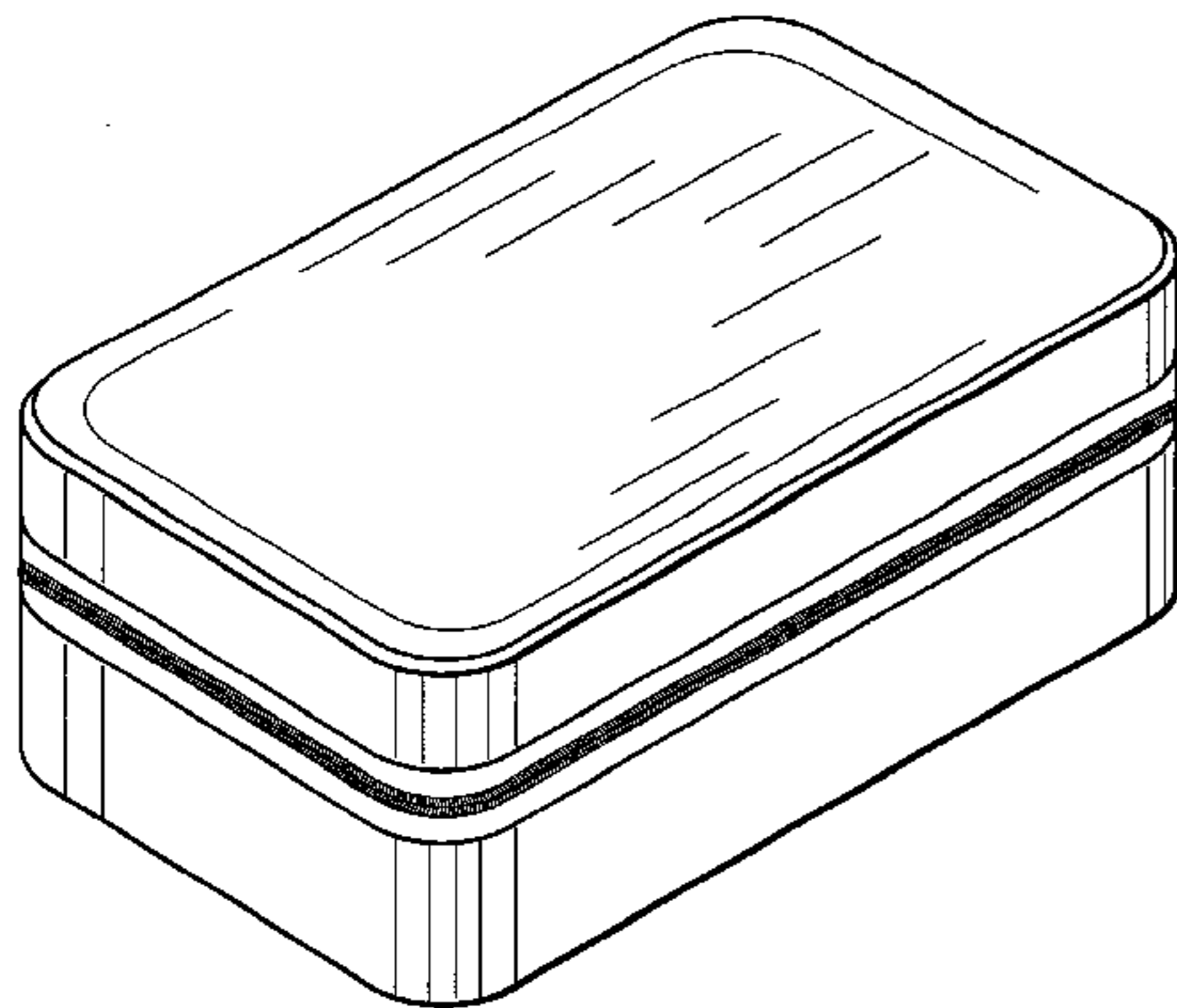
FIG. 5. Is a left side elevational view thereof;

FIG. 6. Is a right side elevational view thereof;

FIG. 7. Is a top view thereof; and,

FIG. 8. Is a bottom view thereof.

1 Claim, 3 Drawing Sheets



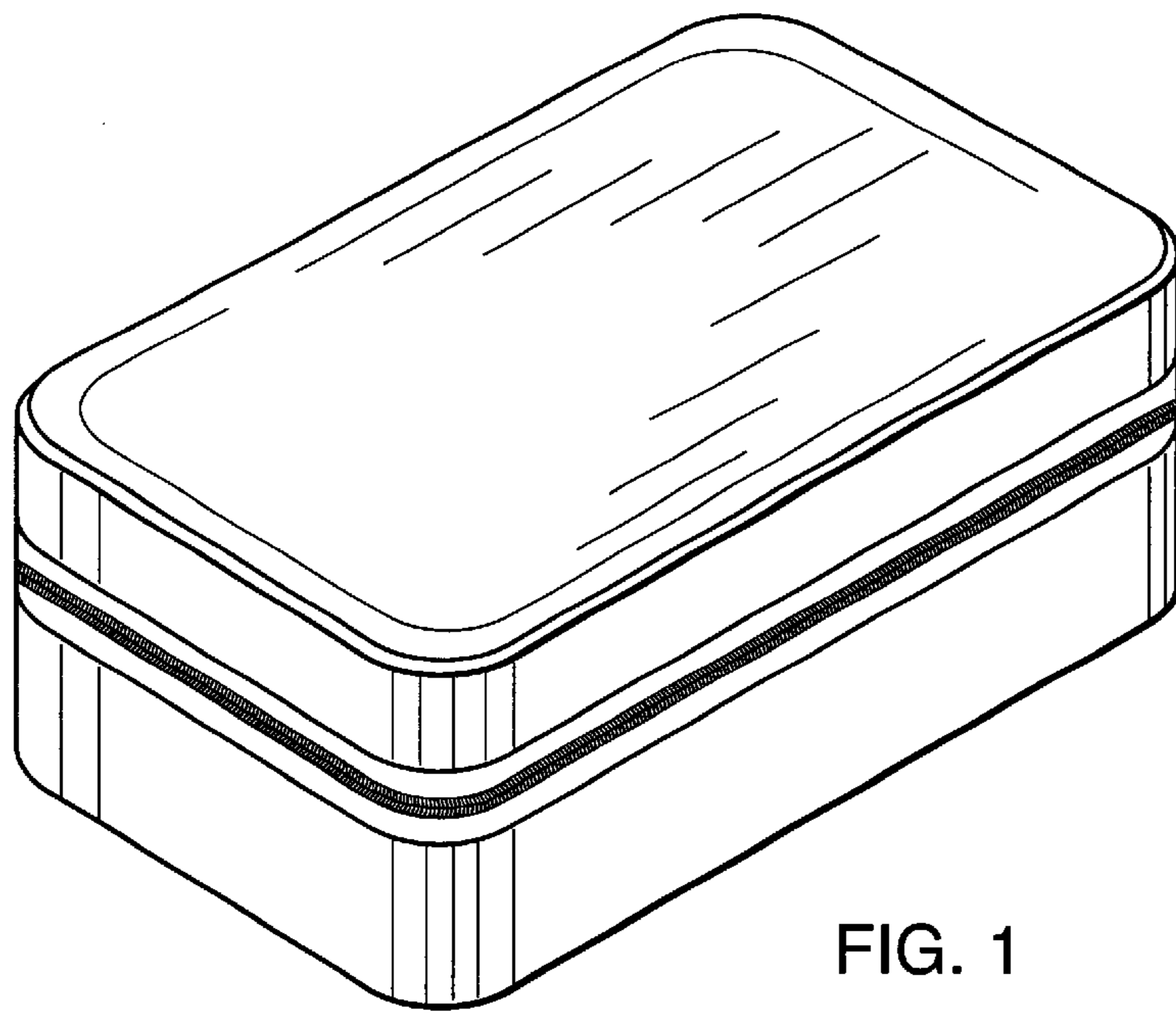


FIG. 1

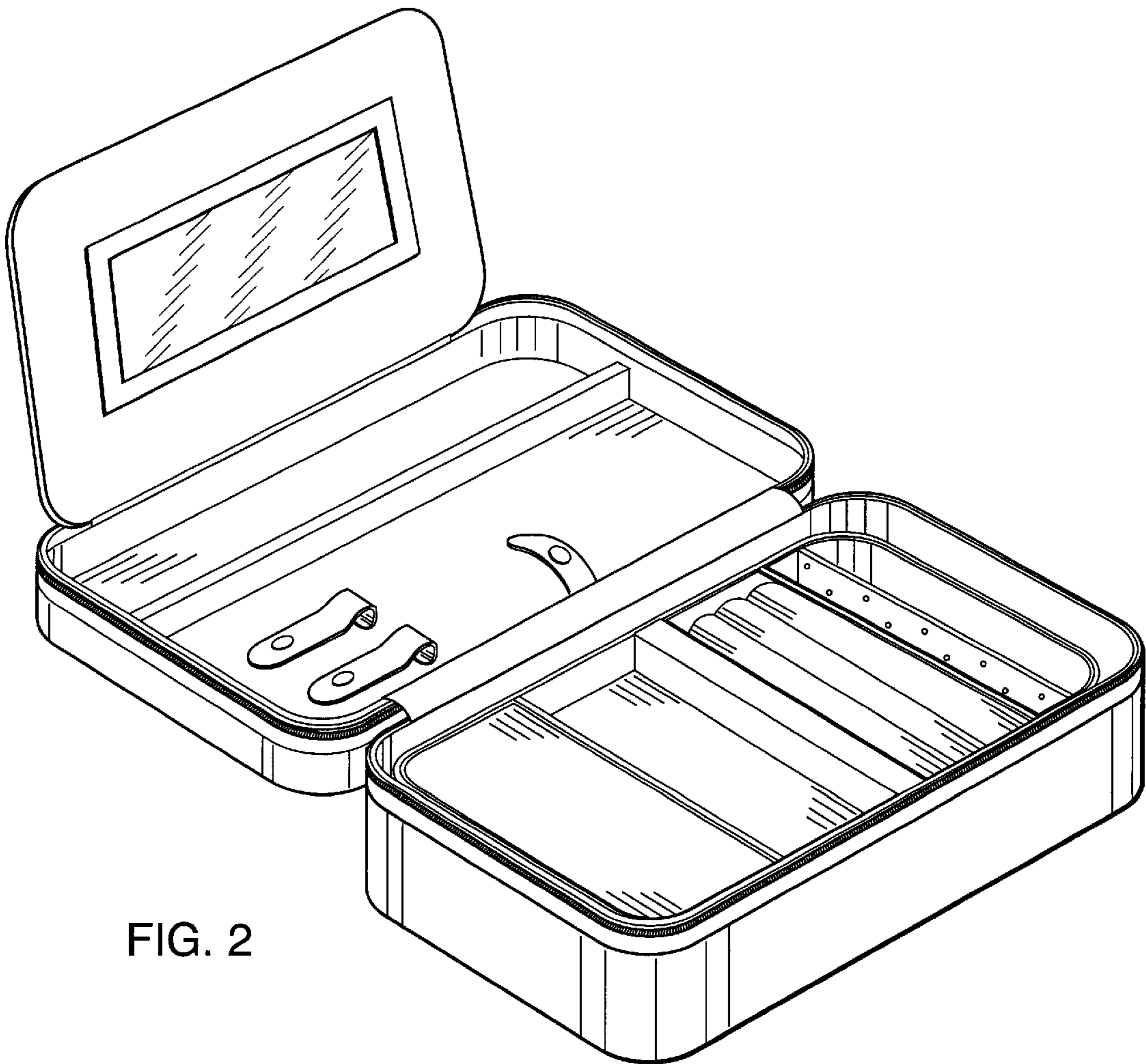


FIG. 2

FIG. 3

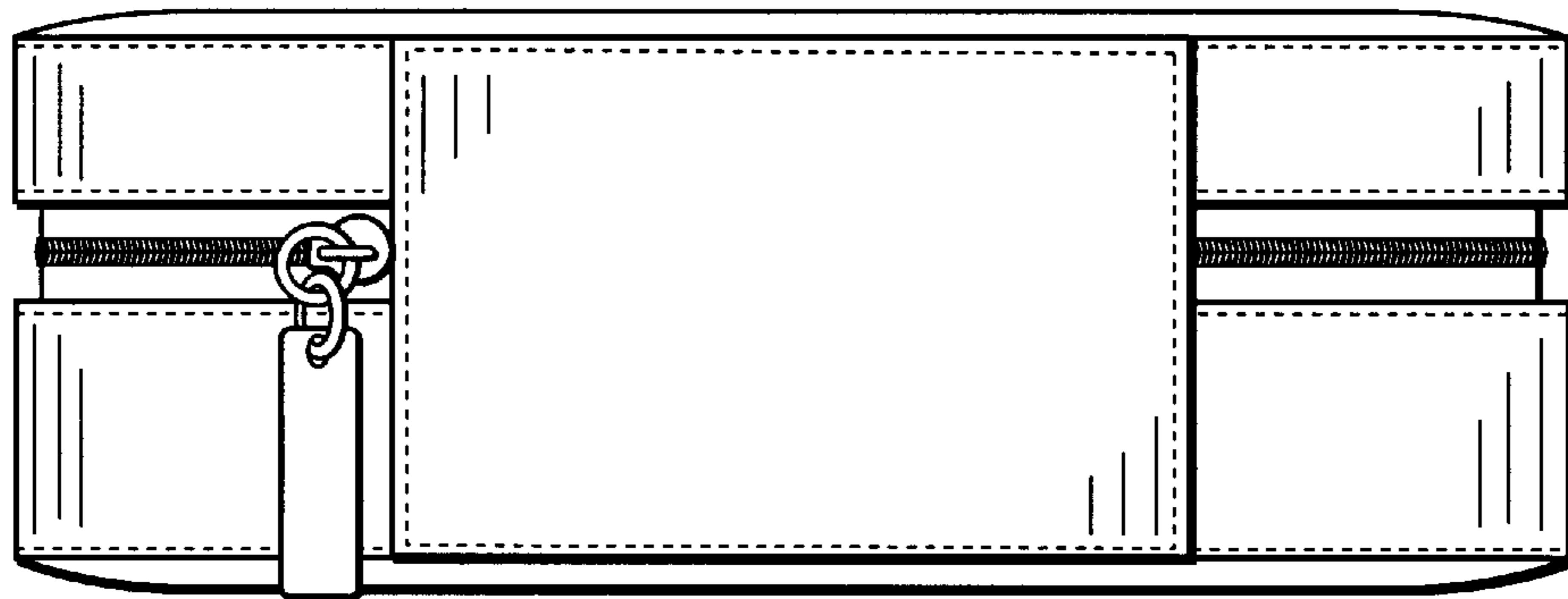
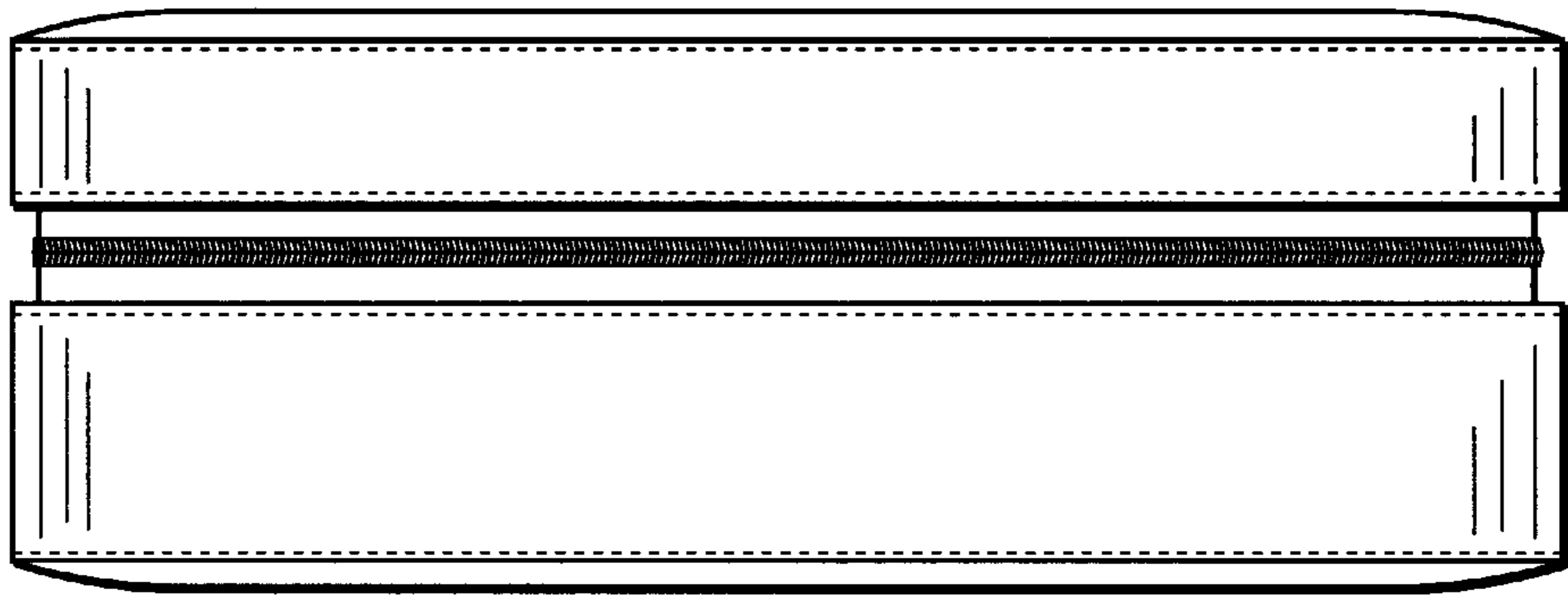


FIG. 4

FIG. 5

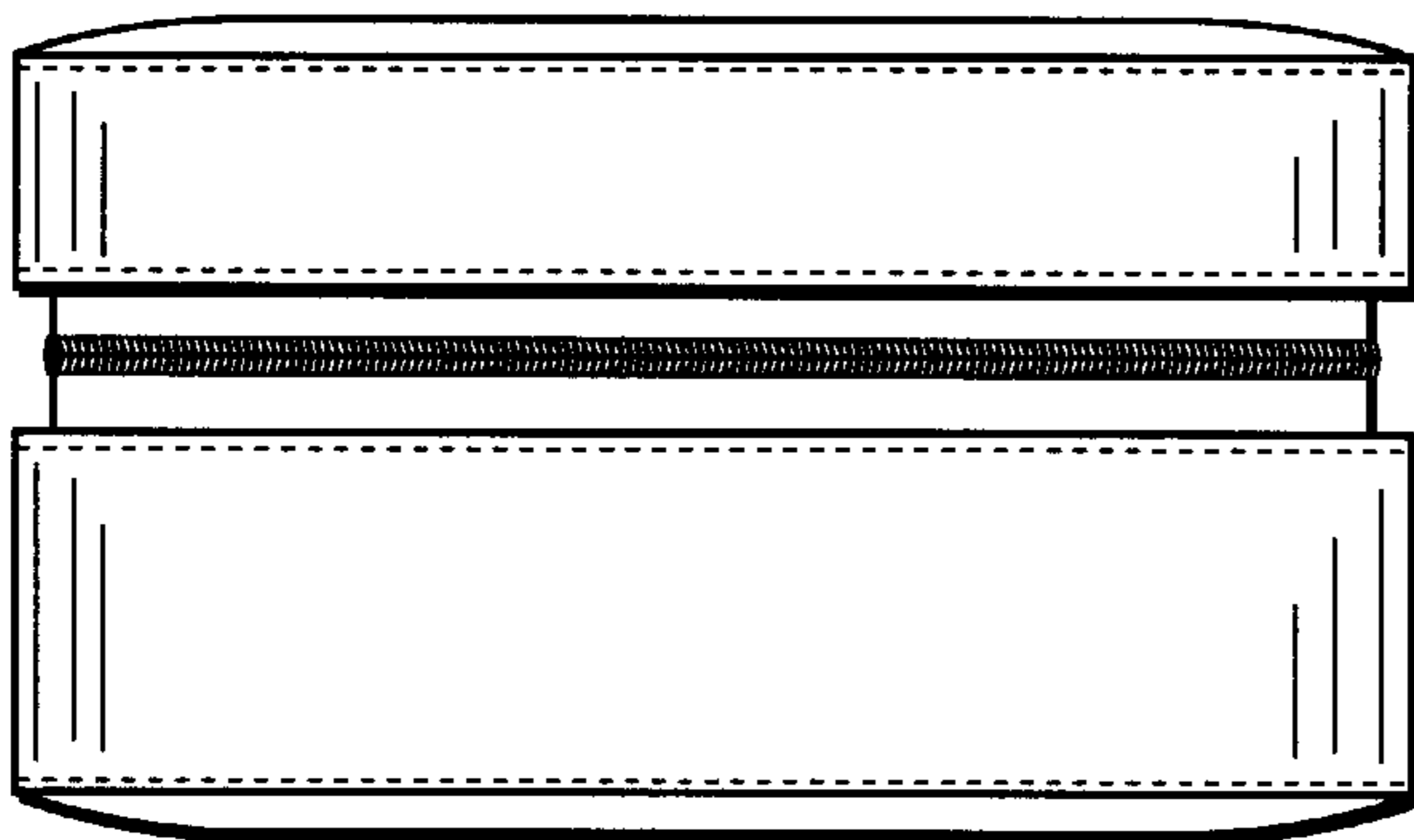
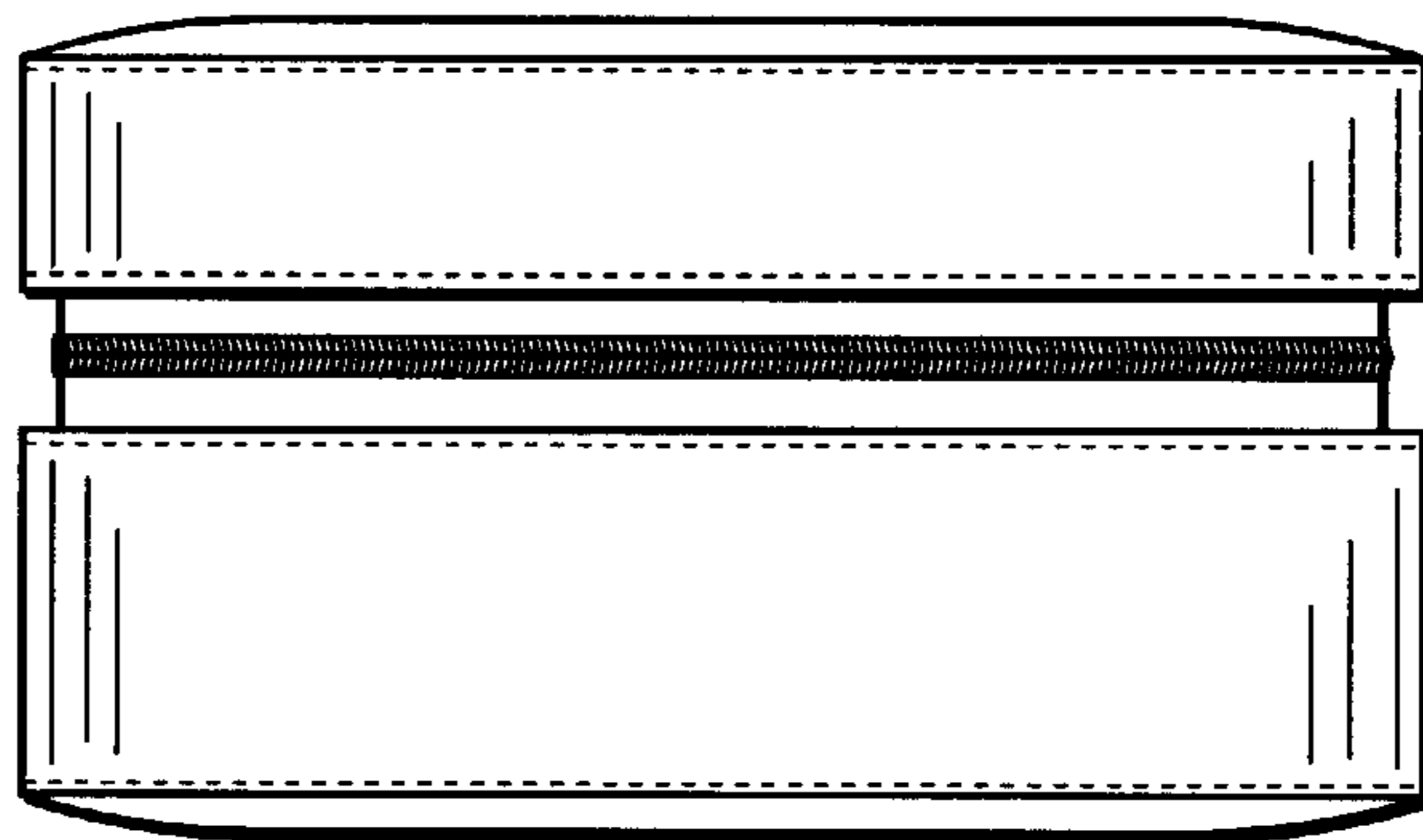


FIG. 6



FIG. 7

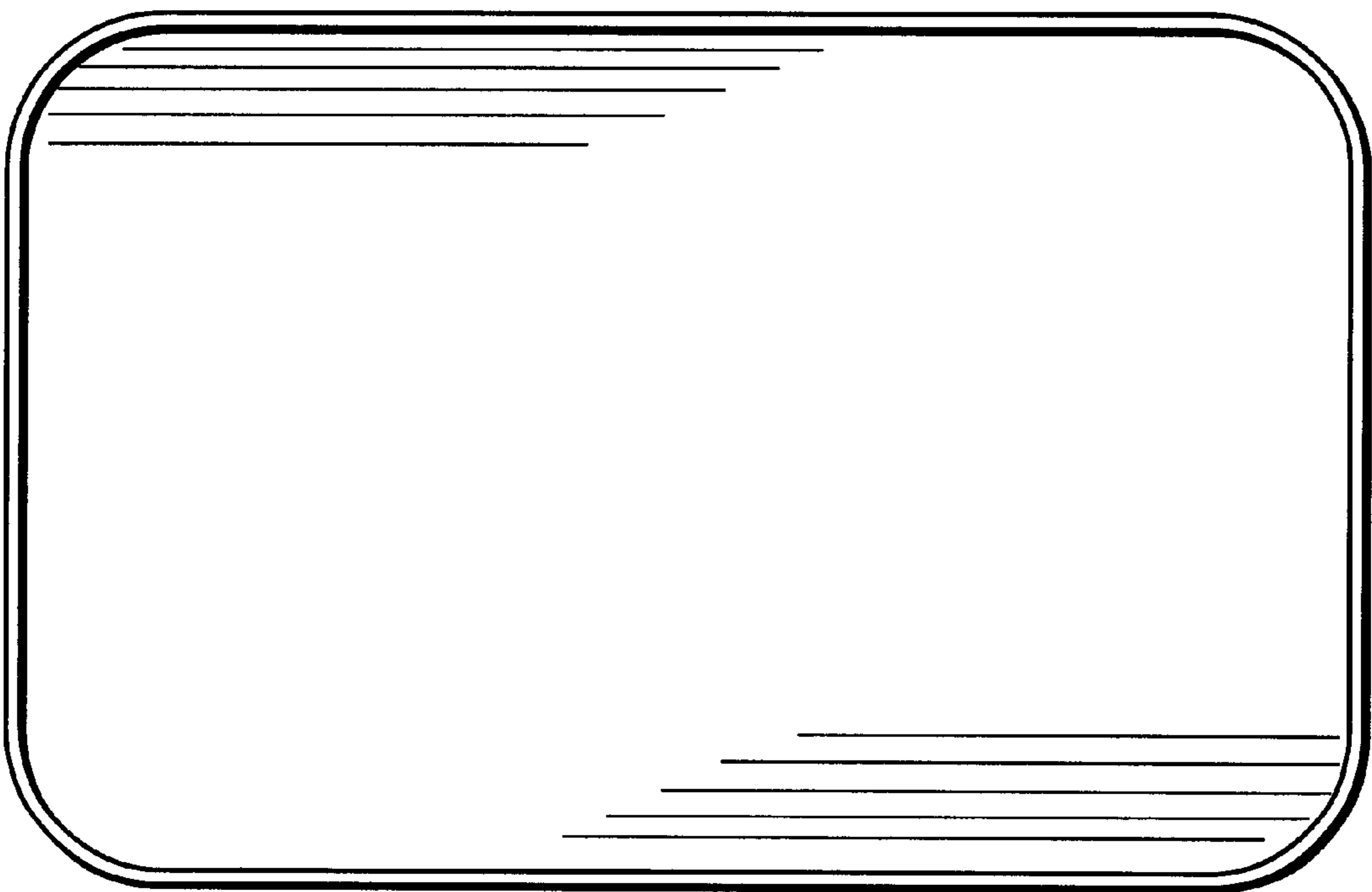


FIG. 8