



US00D454998S

(12) **United States Design Patent**
Czemerer

(10) **Patent No.:**

US D454,998 S

(45) **Date of Patent:**

**** Mar. 26, 2002**

(54) **PATIENT HOIST**

(75) Inventor: **Kelvin Czemerer, Midland (CA)**

(73) Assignee: **Medi-Man Rehabilitation Products Inc., Mississauga (CA)**

(**) Term: **14 Years**

(21) Appl. No.: **29/133,790**

(22) Filed: **Dec. 8, 2000**

(30) **Foreign Application Priority Data**

Oct. 30, 2000 (CA) 2000-2900

(51) **LOC (7) Cl.** **12-05**

(52) **U.S. Cl.** **D34/28**

(58) **Field of Search** D34/28, 33; 280/79.3,
280/79.11; 5/83.1, 84.1, 89.1; 187/200,
222

(56) **References Cited**

U.S. PATENT DOCUMENTS

4,545,085	A	*	10/1985	Feldt	5/84.1
4,680,819	A	*	7/1987	James	5/86.1
4,703,523	A	*	11/1987	James	5/83.1
5,022,106	A	*	6/1991	Richards	5/86.1
D352,590	S	*	11/1994	Hodges	D34/28

D355,293	S	*	2/1995	Parker	D34/28
D376,886	S	*	12/1996	Dunn et al.	D34/28
D402,434	S	*	12/1998	Votel	D34/28
D403,828	S	*	1/1999	Greaves et al.	D34/28
6,119,287	A	*	9/2000	Phillips	5/81.1
D434,198	S	*	11/2000	Greaves	D34/28

* cited by examiner

Primary Examiner—Cynthia E. Ramirez

(74) *Attorney, Agent, or Firm*—Henderson & Sturm LLP

(57) **CLAIM**

The ornamental design for a patient hoist, as shown and described.

DESCRIPTION

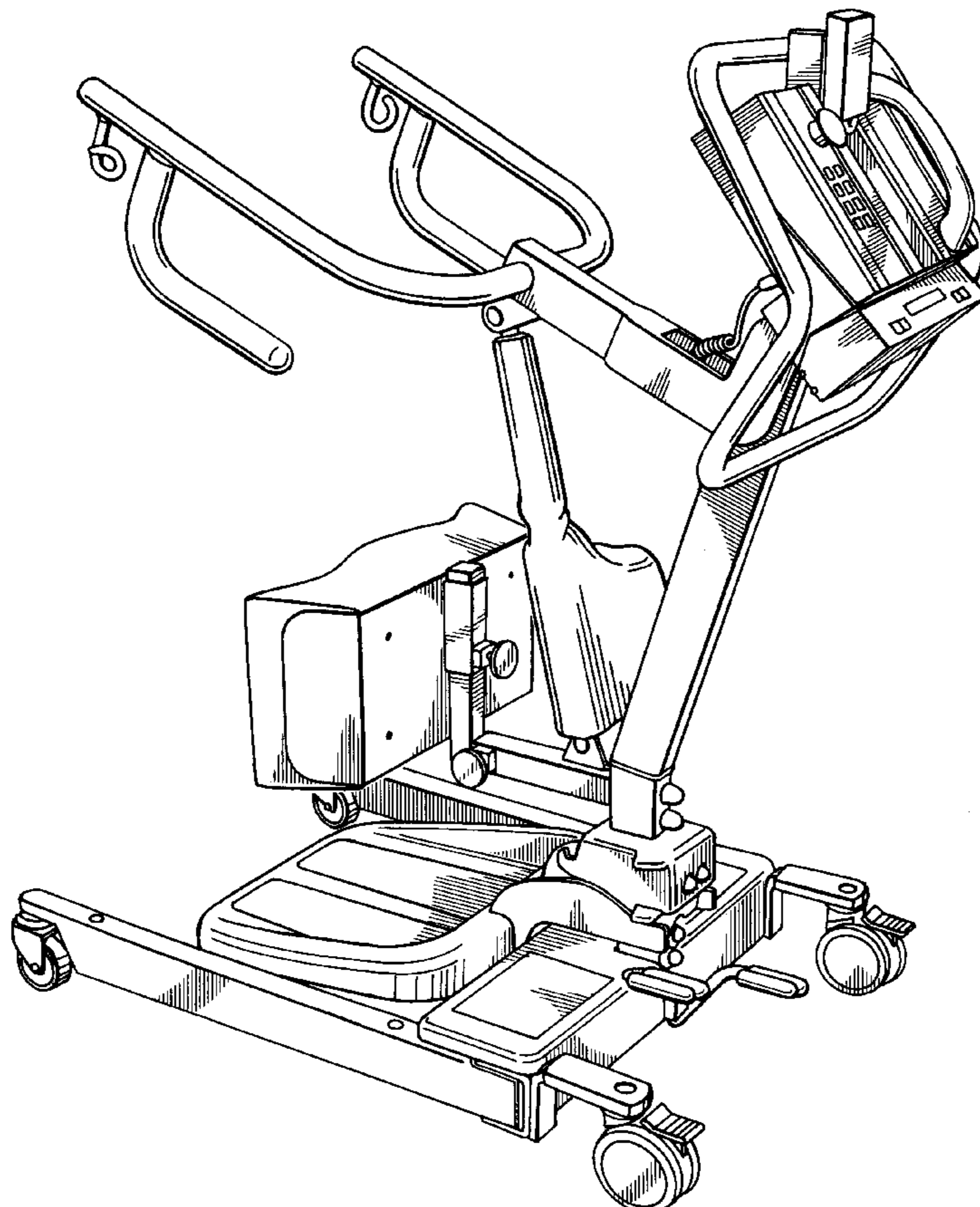
A portion of the disclosure of this patent document, including appendices, may contain material which is subject to copyright protection. The copyright owner has no objection to the facsimile reproduction by anyone of the patent document or the patent disclosure, as it appears in the Patent and Trademark Office patent file or records, but otherwise reserves all copyright rights whatsoever.

FIG. 1 is a perspective view of the patient hoist showing my new design;

FIG. 2 is a rear elevational view thereof; and,

FIG. 3 is a side elevational view thereof.

1 Claim, 2 Drawing Sheets



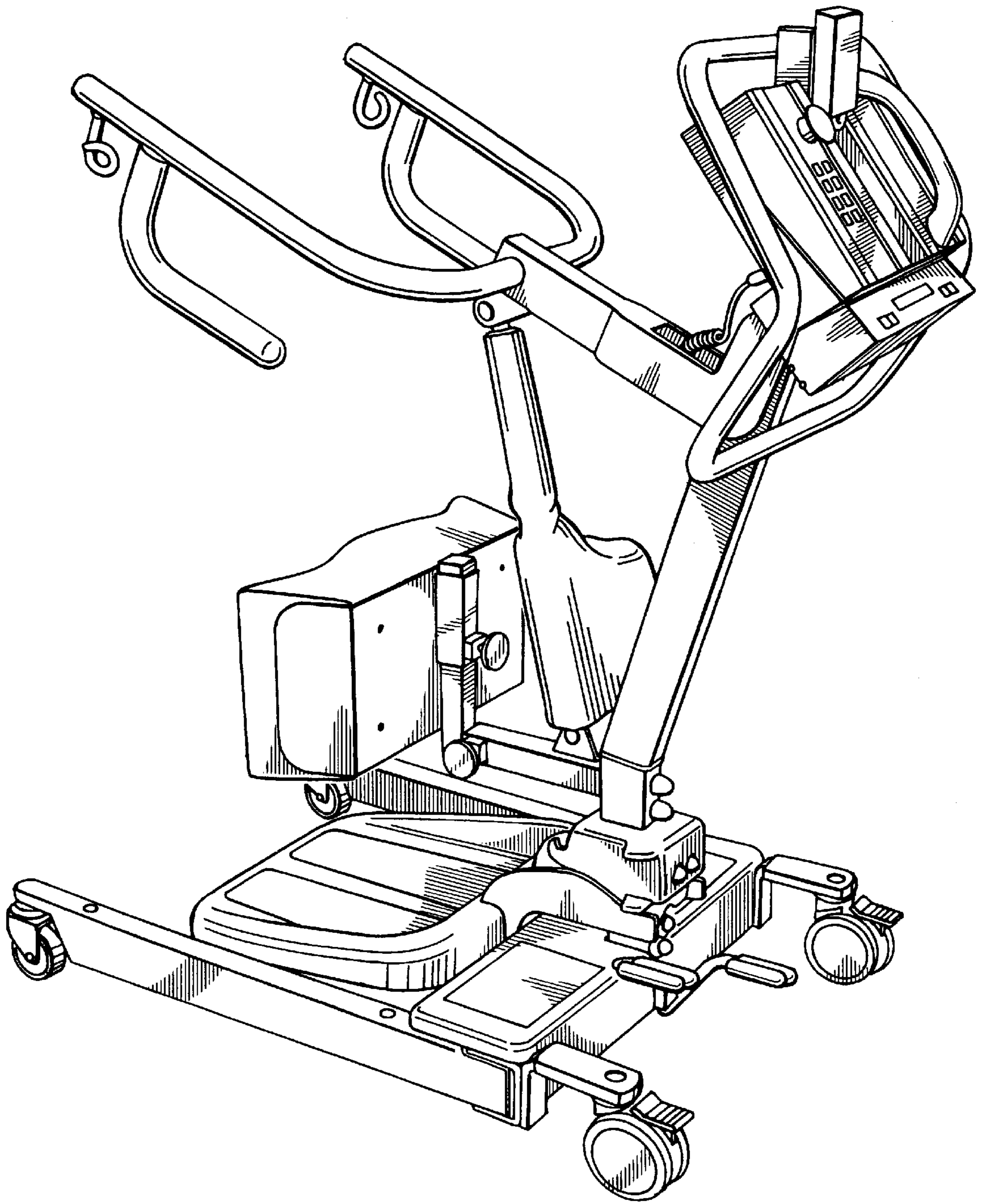


FIG. 1

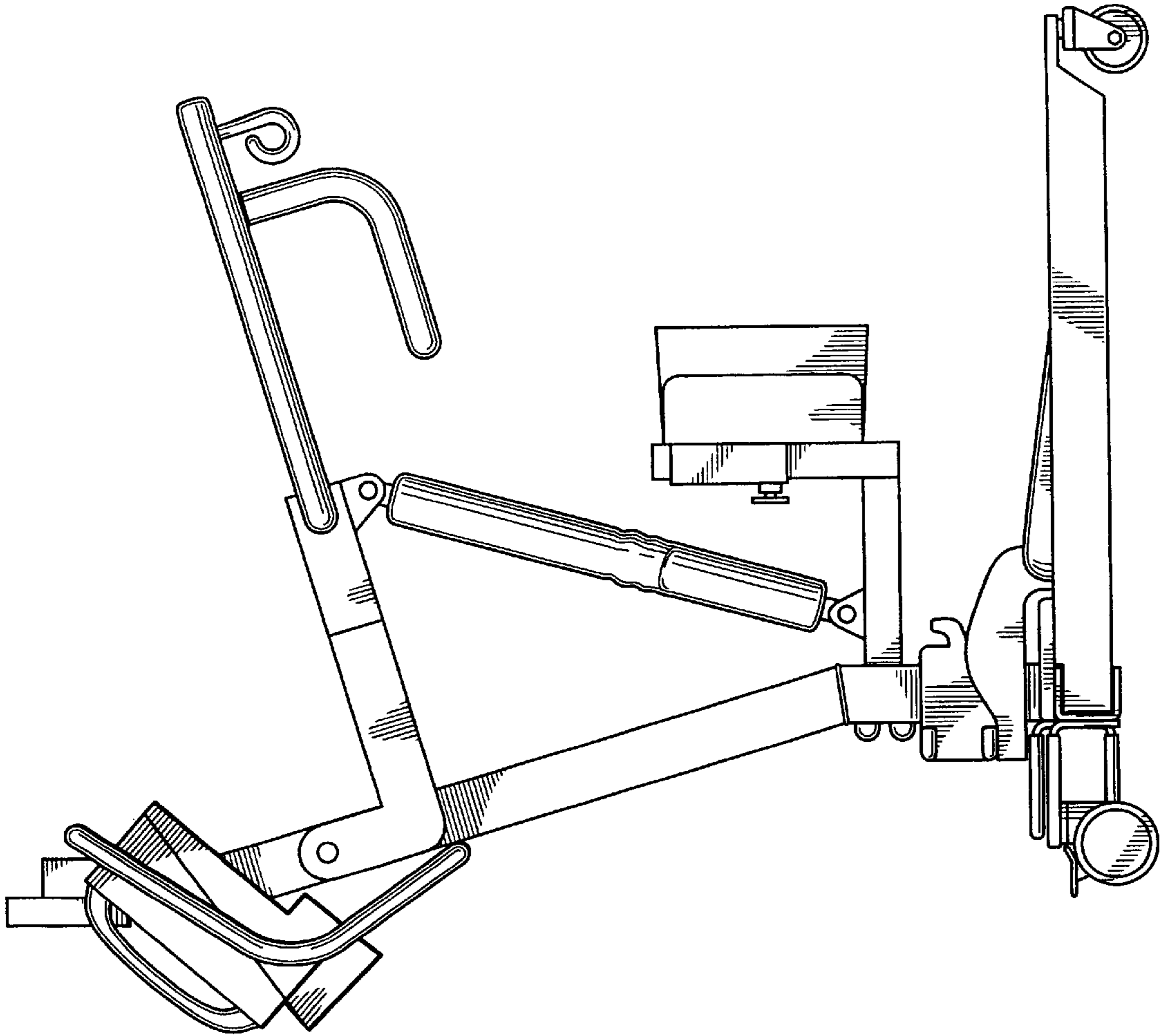


FIG. 3

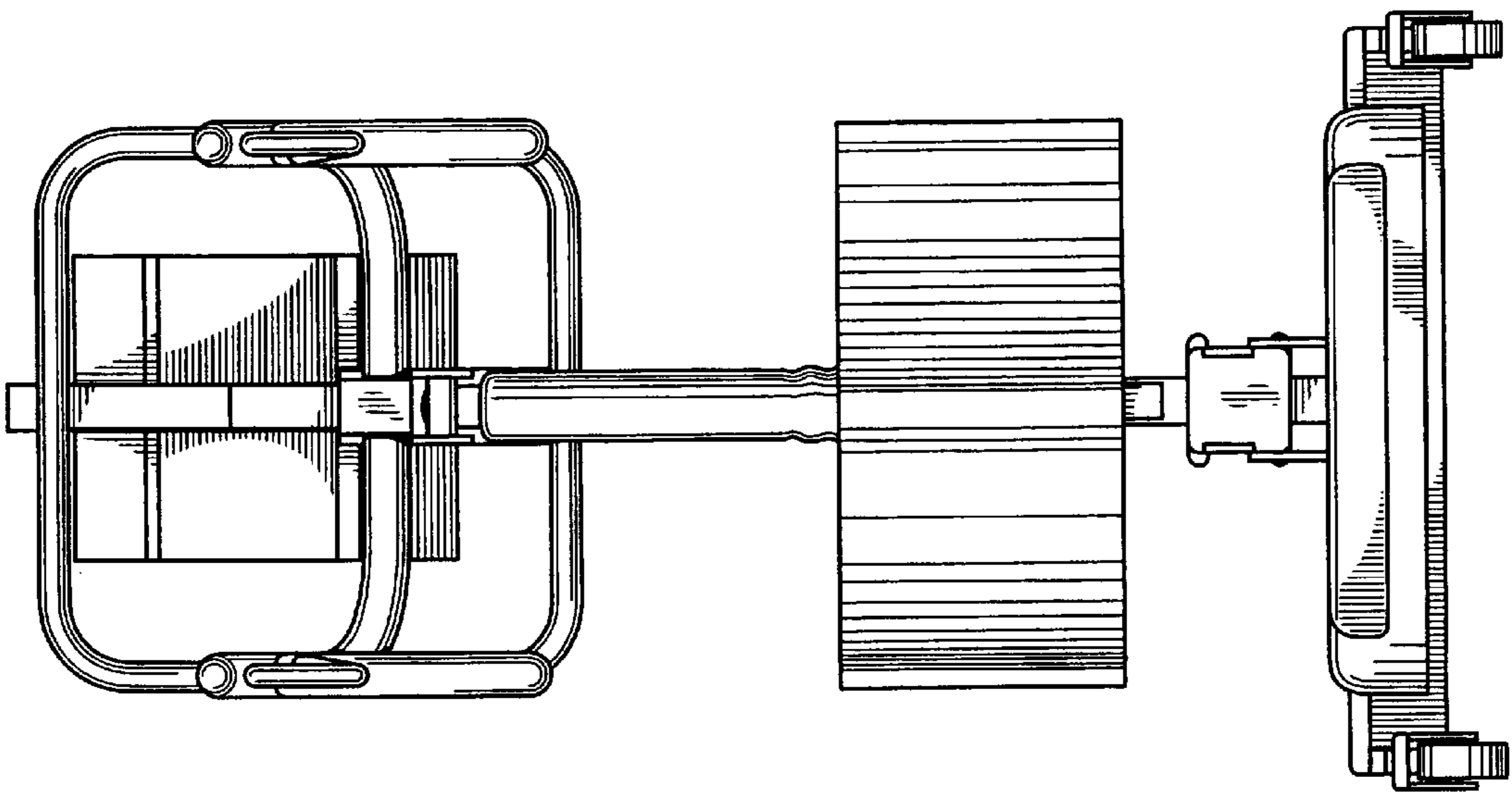


FIG. 2