



US00D454996S

(12) **United States Design Patent**  
**Liao**

(10) **Patent No.:** **US D454,996 S**

(45) **Date of Patent:** **\*\* Mar. 26, 2002**

(54) **GOLF CART**

D438,357 S \* 2/2001 Wu ..... D34/15  
D446,620 S \* 8/2001 Liao ..... D34/15

(75) Inventor: **Gordon Liao, Yung Kang (TW)**

\* cited by examiner

(73) Assignee: **Unique Product & Design Co., Ltd.,  
Tainan Hsien (TW)**

*Primary Examiner*—Kay H. Chin

(74) *Attorney, Agent, or Firm*—Pro-Techtir International  
Services

(\*\*) Term: **14 Years**

(57) **CLAIM**

(21) Appl. No.: **29/141,351**

The ornamental design for a golf cart, as shown and  
described.

(22) Filed: **May 4, 2001**

(51) **LOC (7) Cl.** ..... **12-02**

(52) **U.S. Cl.** ..... **D34/15**

(58) **Field of Search** ..... D34/12-27; 280/DIG. 5,  
280/DIG. 6, 641, 646, 651, 47.26, 47.17,  
47.371; 180/19.3, 19.1, 65.6

**DESCRIPTION**

FIG. 1 is a perspective view of a golf cart showing my new  
design;

FIG. 2 is a right side elevational view thereof;

FIG. 3 is a top plan view thereof;

FIG. 4 is a front elevational view thereof;

FIG. 5 is a bottom plan view thereof;

FIG. 6 is a left side elevational view thereof; and,

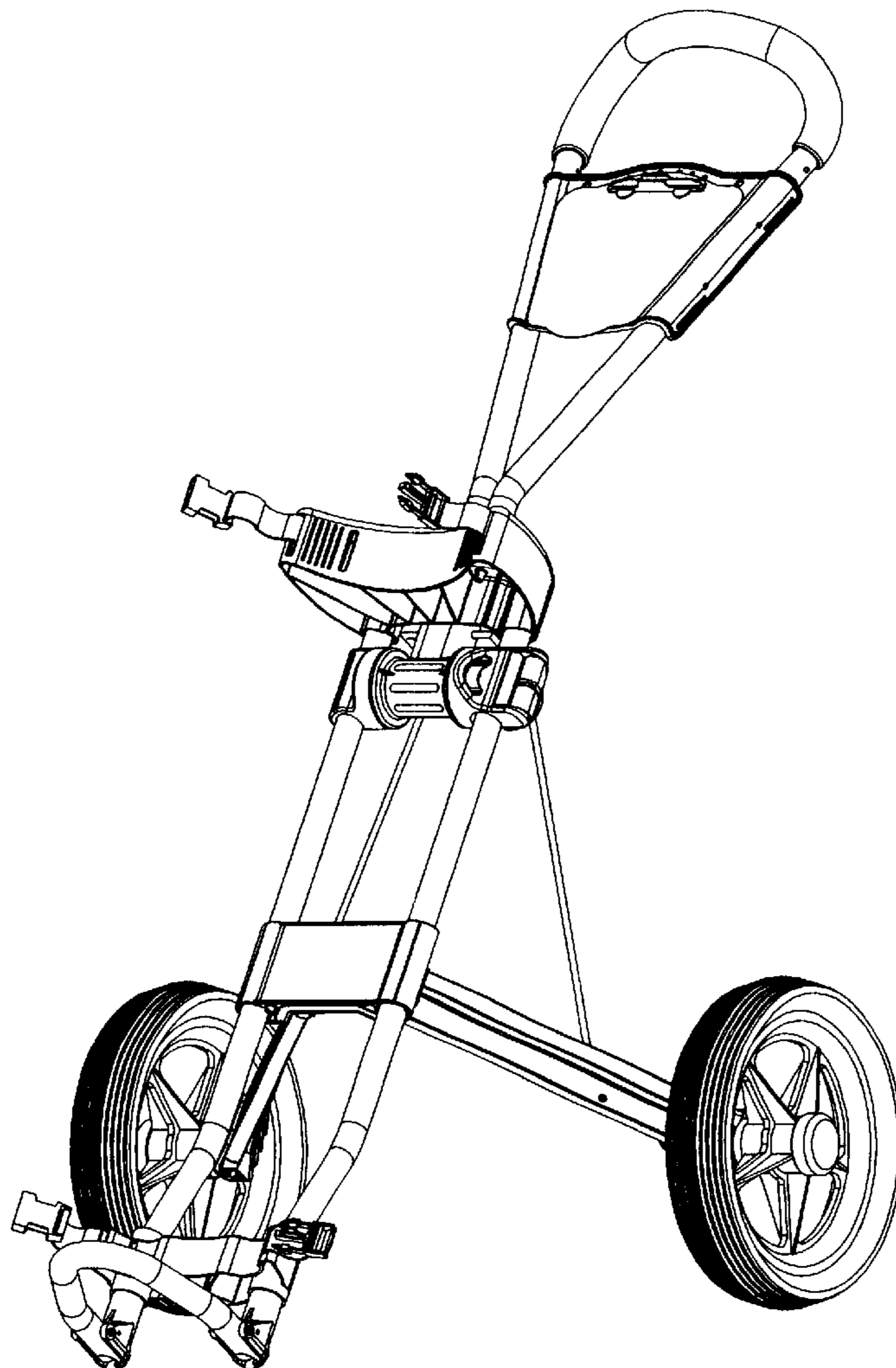
FIG. 7 is a rear elevational view.

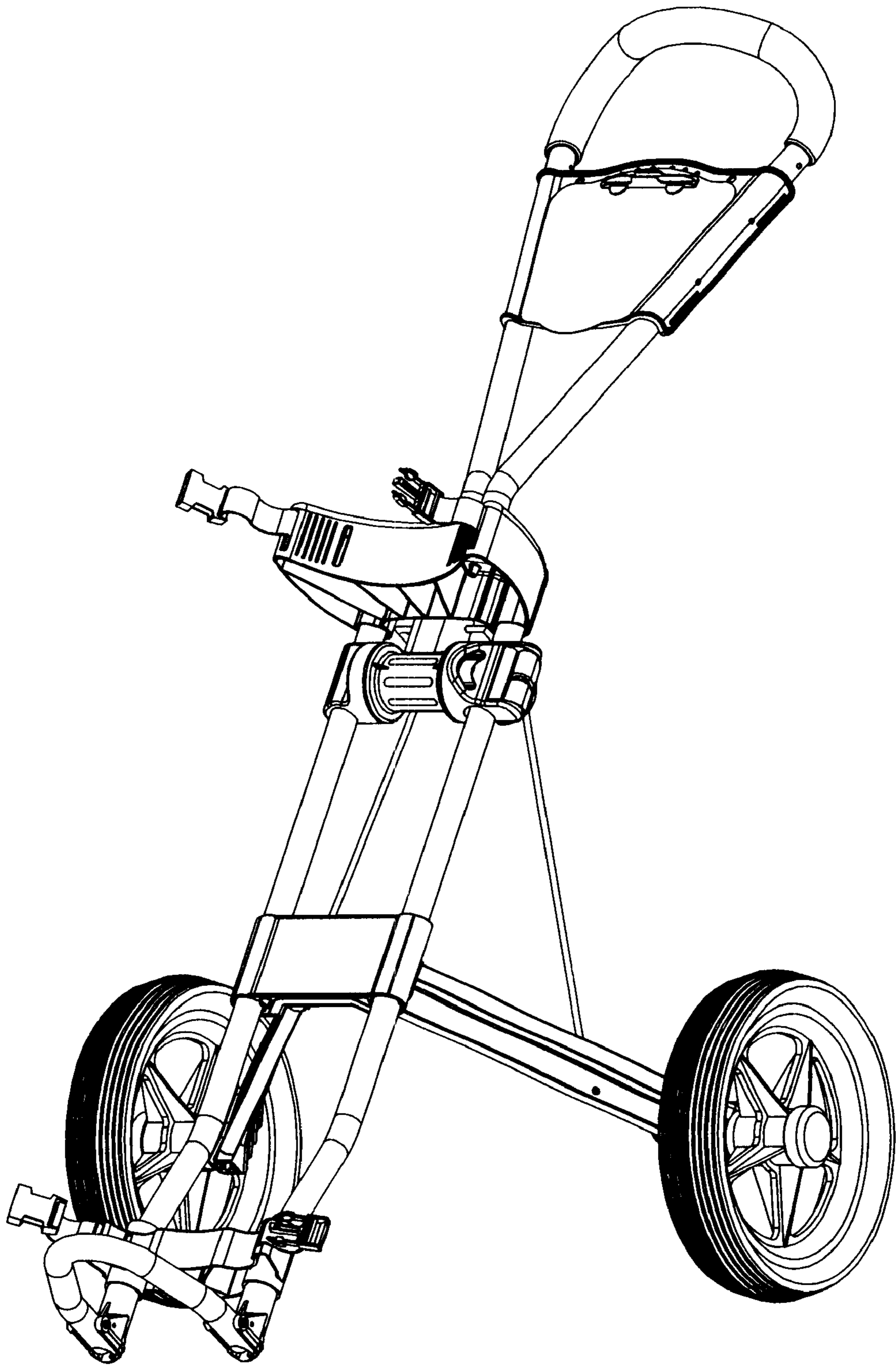
(56) **References Cited**

**U.S. PATENT DOCUMENTS**

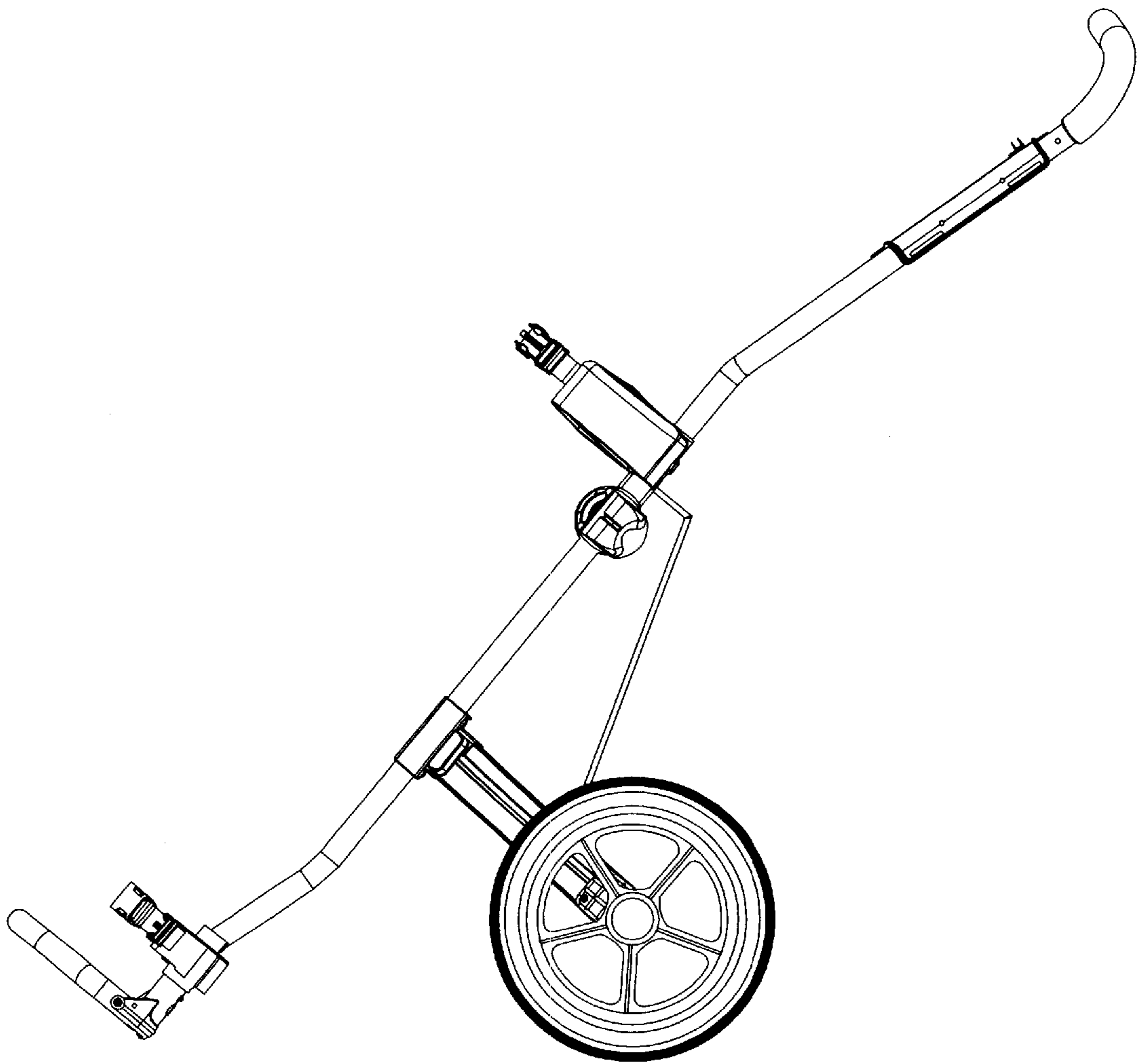
5,201,540 A \* 4/1993 Wu ..... 280/646  
D437,985 S \* 2/2001 Wu ..... D34/15

**1 Claim, 7 Drawing Sheets**

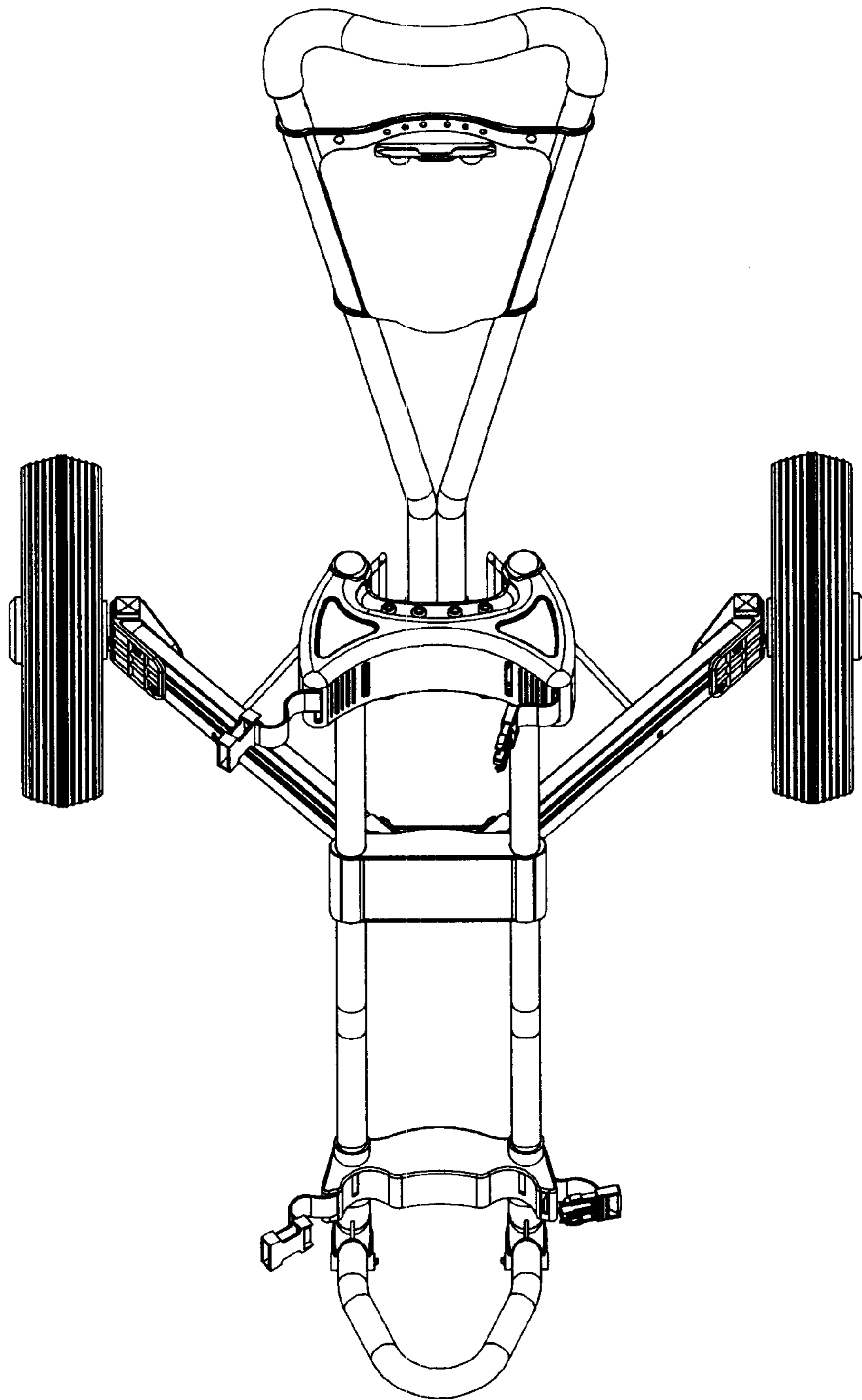




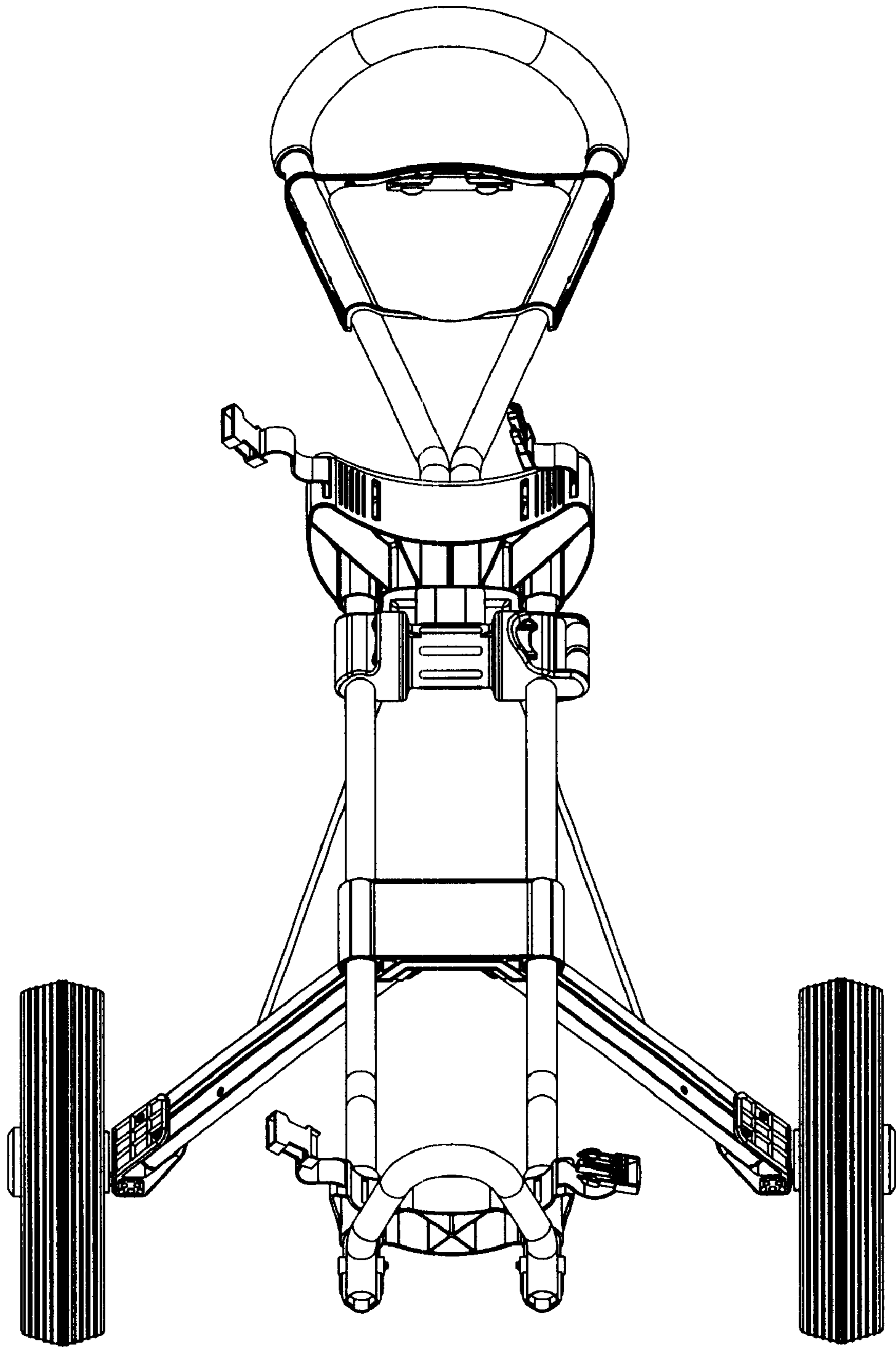
*FIG. 1*



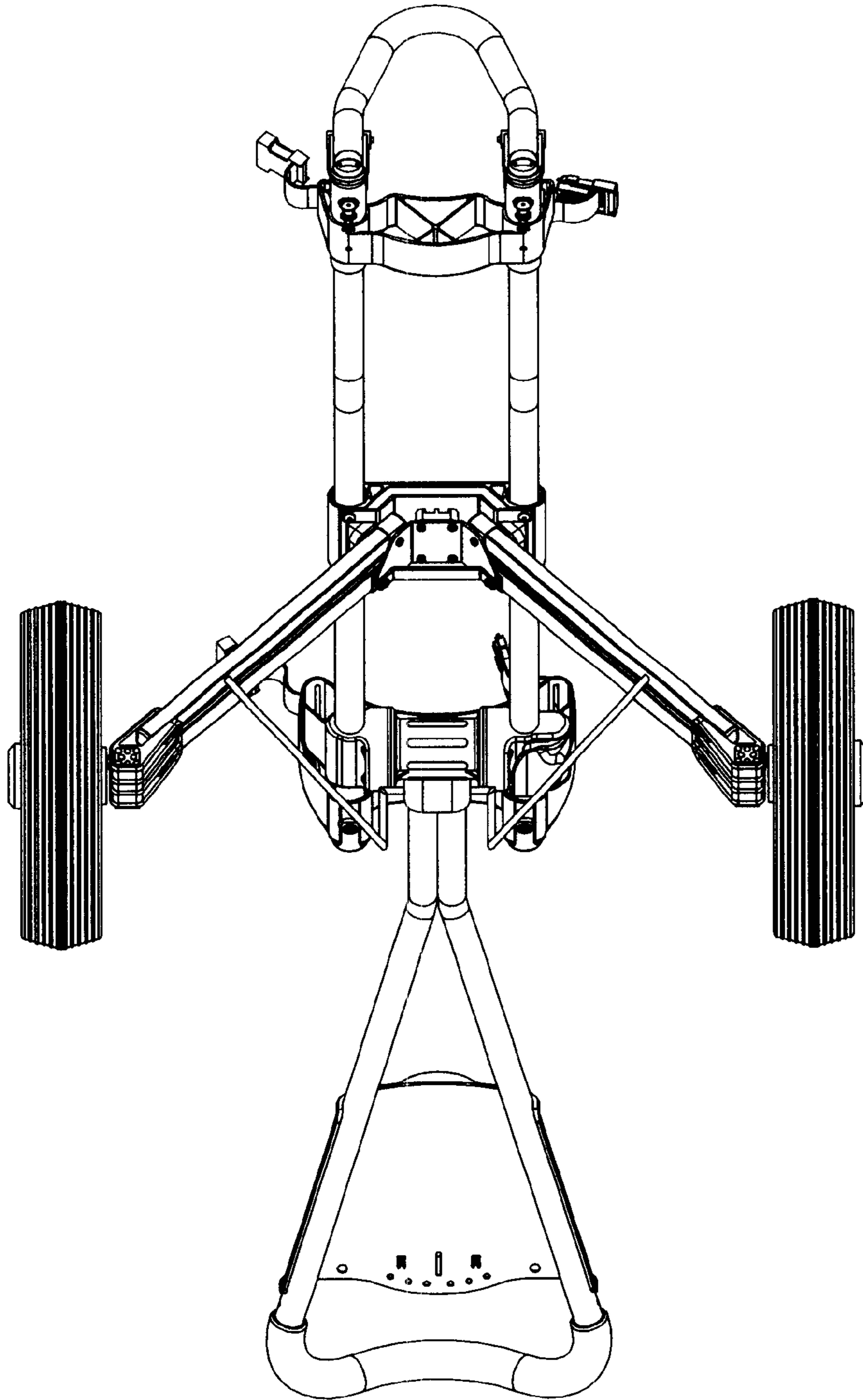
*FIG. 2*



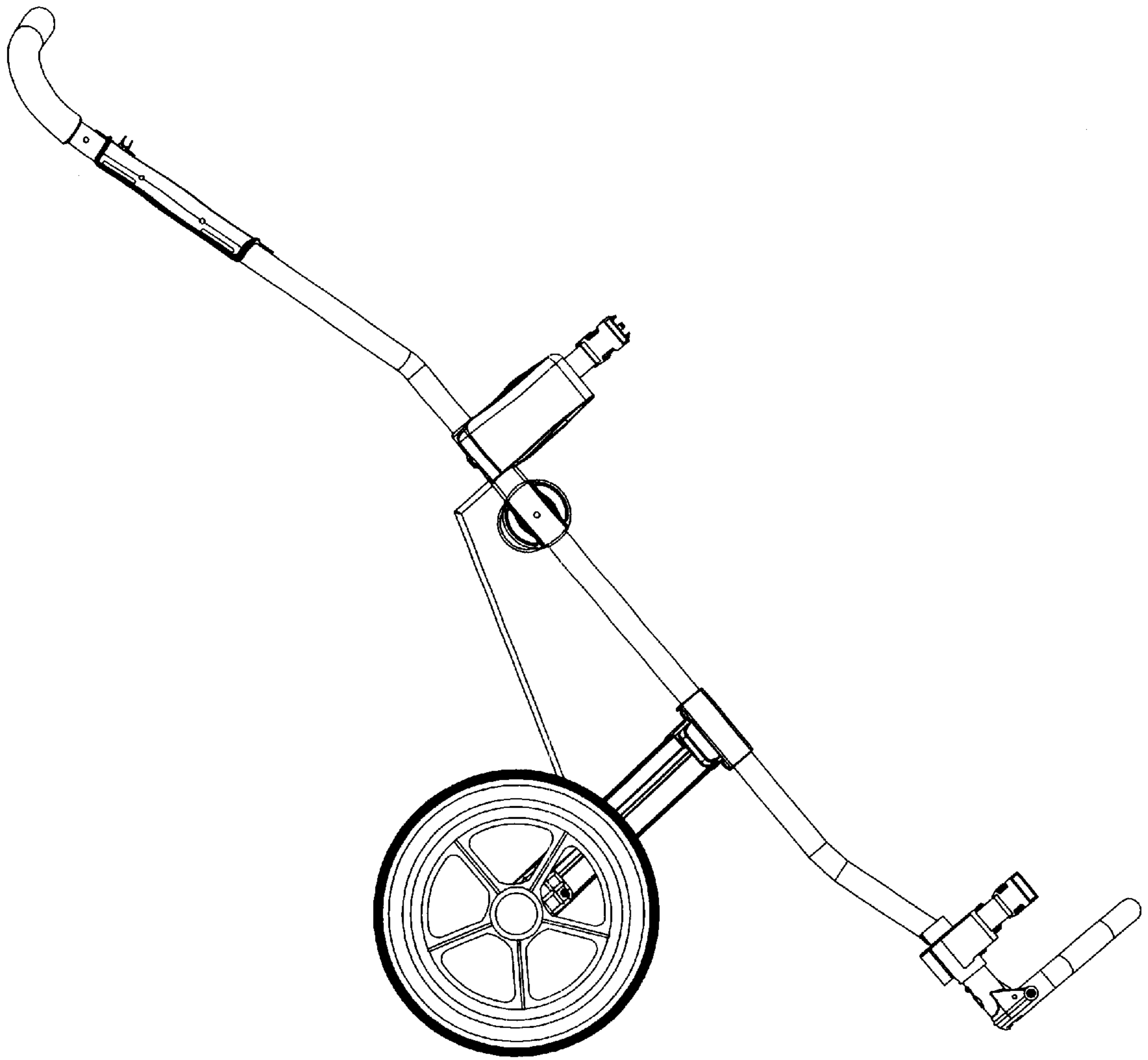
*FIG. 3*



*FIG. 4*



*FIG. 5*



*FIG. 6*

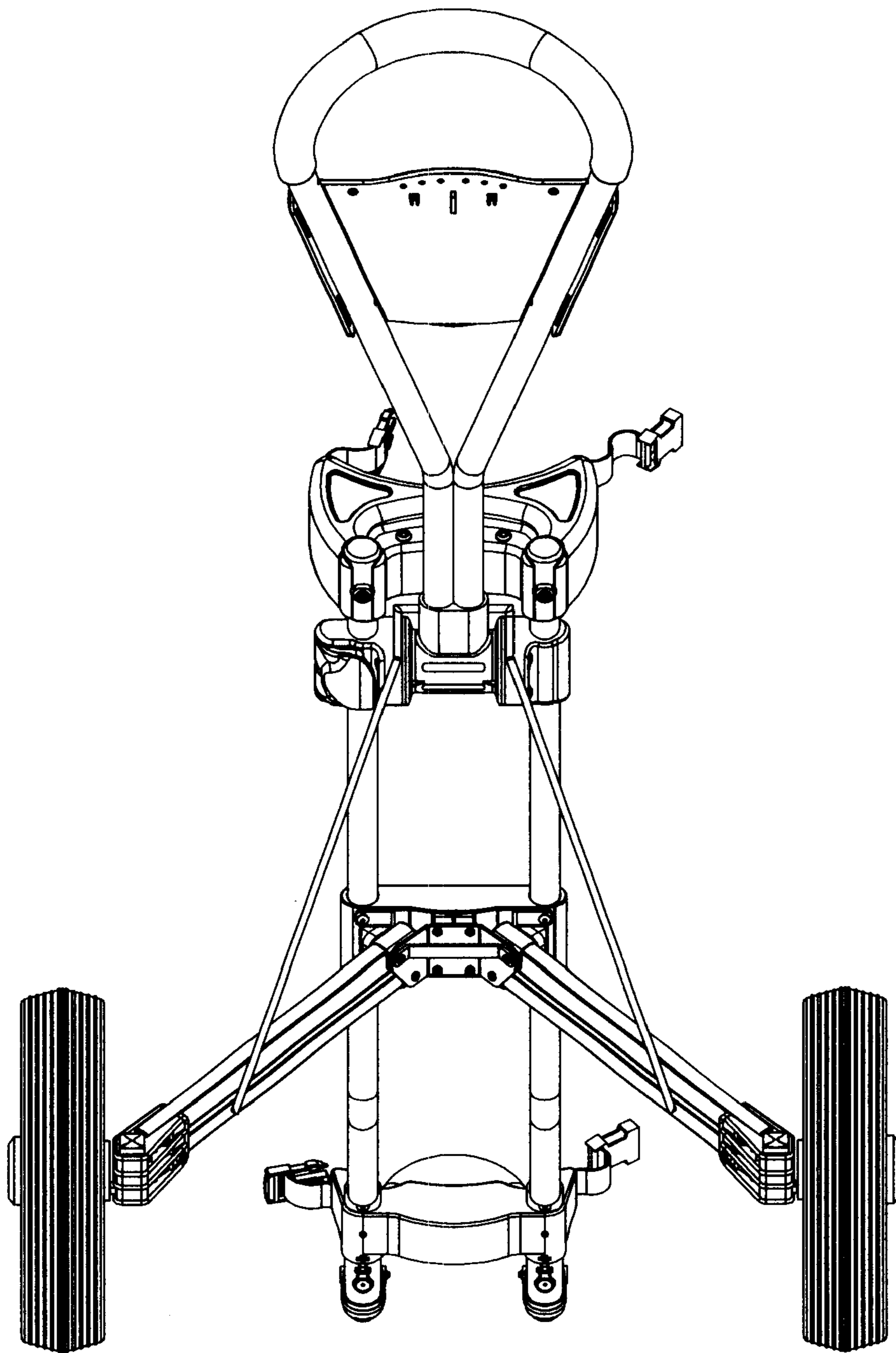


FIG. 7