

US00D454994S

(12) **United States Design Patent**
Harada et al.

(10) **Patent No.:** **US D454,994 S**

(45) **Date of Patent:** **** Mar. 26, 2002**

(54) **ELECTRIC VACUUM CLEANER**
(75) Inventors: **Osamu Harada**, Osaka; **Kazuma Suo**, Shiga, both of (JP)

(73) Assignee: **Matsushita Electric Industrial Co., Ltd.**, Osaka (JP)

(**) Term: **14 Years**

(21) Appl. No.: **29/132,139**
(22) Filed: **Nov. 2, 2000**

(30) **Foreign Application Priority Data**
May 26, 2000 (JP) 2000-014025

(51) **LOC (7) Cl.** **15-05**
(52) **U.S. Cl.** **D32/21**
(58) **Field of Search** D32/21, 22-24, D32/32-33, 25, 31; 15/398, 364, 400, 42, 322, 410, 412, 414, 415.1-422.1, 327.1-327.7, 377, 347, 344, 329

(56) **References Cited**
U.S. PATENT DOCUMENTS
D344,375 S * 2/1994 Piret et al. D32/21
5,740,583 A * 4/1998 Shimada et al. 15/377
D399,617 S * 10/1998 Fujita D32/21

D417,046 S * 11/1999 Tsuruha et al. D32/21
D417,047 S * 11/1999 Tsuda D32/21
D430,366 S * 8/2000 Sato et al. D32/21

FOREIGN PATENT DOCUMENTS

JP 833438 4/1992
JP 836539 5/1992
JP 886977 12/1993

* cited by examiner

Primary Examiner—Ruth McInroy
(74) *Attorney, Agent, or Firm*—Christensen O'Connor Johnson Kindness PLLC

(57) **CLAIM**

The ornamental design for an electric vacuum cleaner, as shown and described.

DESCRIPTION

FIG. 1 is a perspective view of the top, front and right side of an electric vacuum cleaner showing our new design; FIG. 2 is a front view thereof; FIG. 3 is a rear view thereof; FIG. 4 is a top plan view thereof; FIG. 5 is a right side view thereof; FIG. 6 is a left side view thereof; and, FIG. 7 is a bottom view thereof.

1 Claim, 3 Drawing Sheets

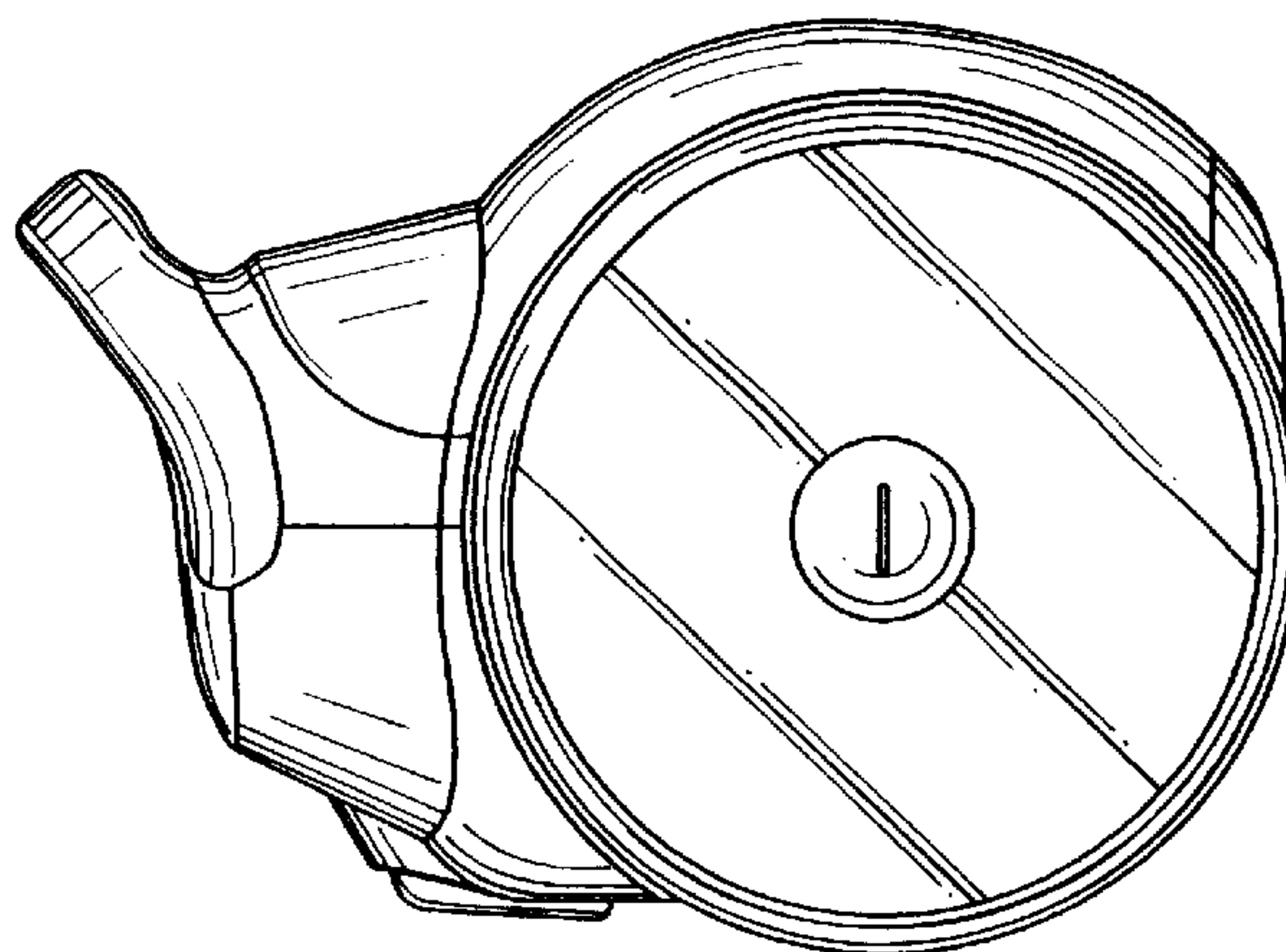
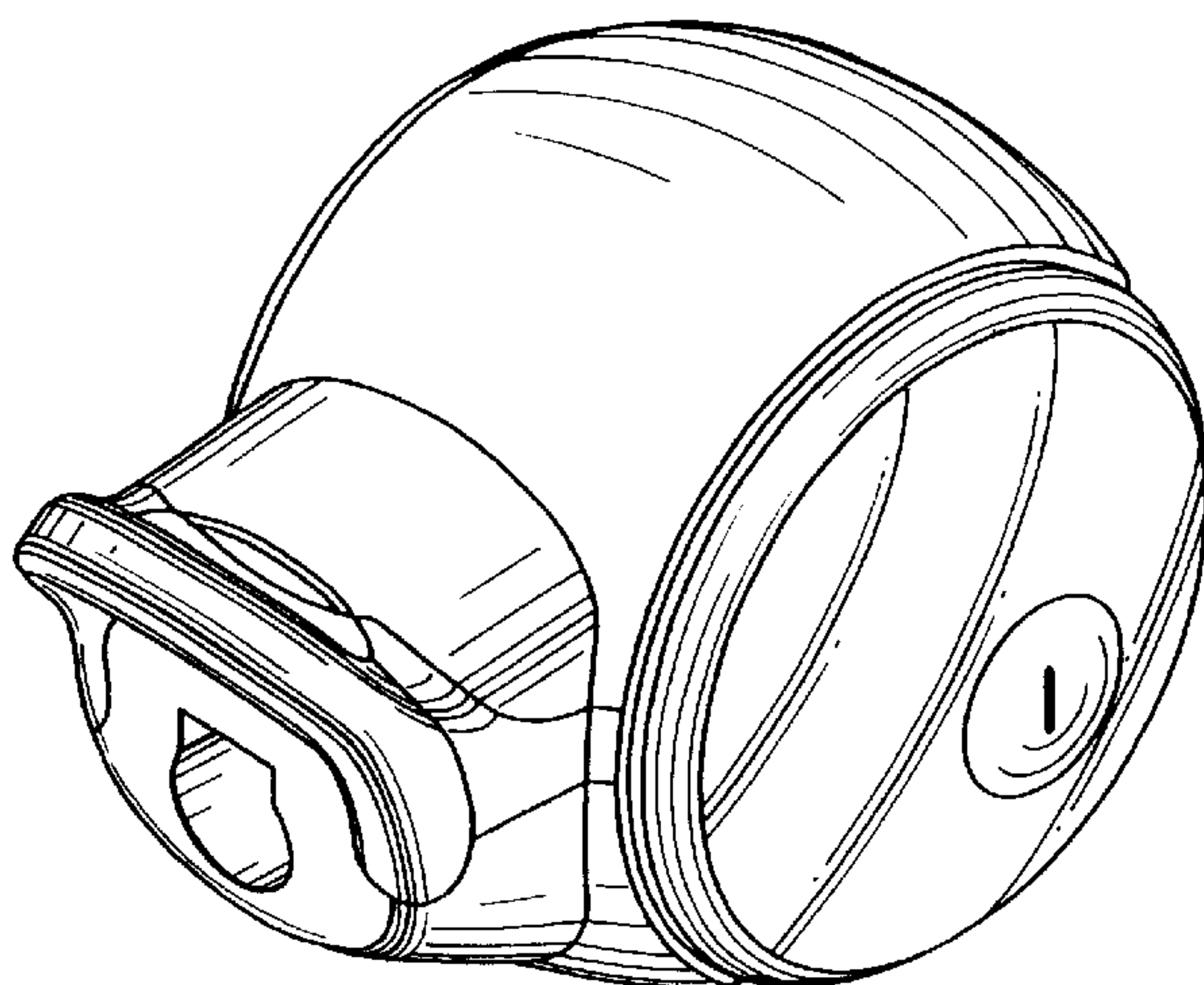


FIG. 1

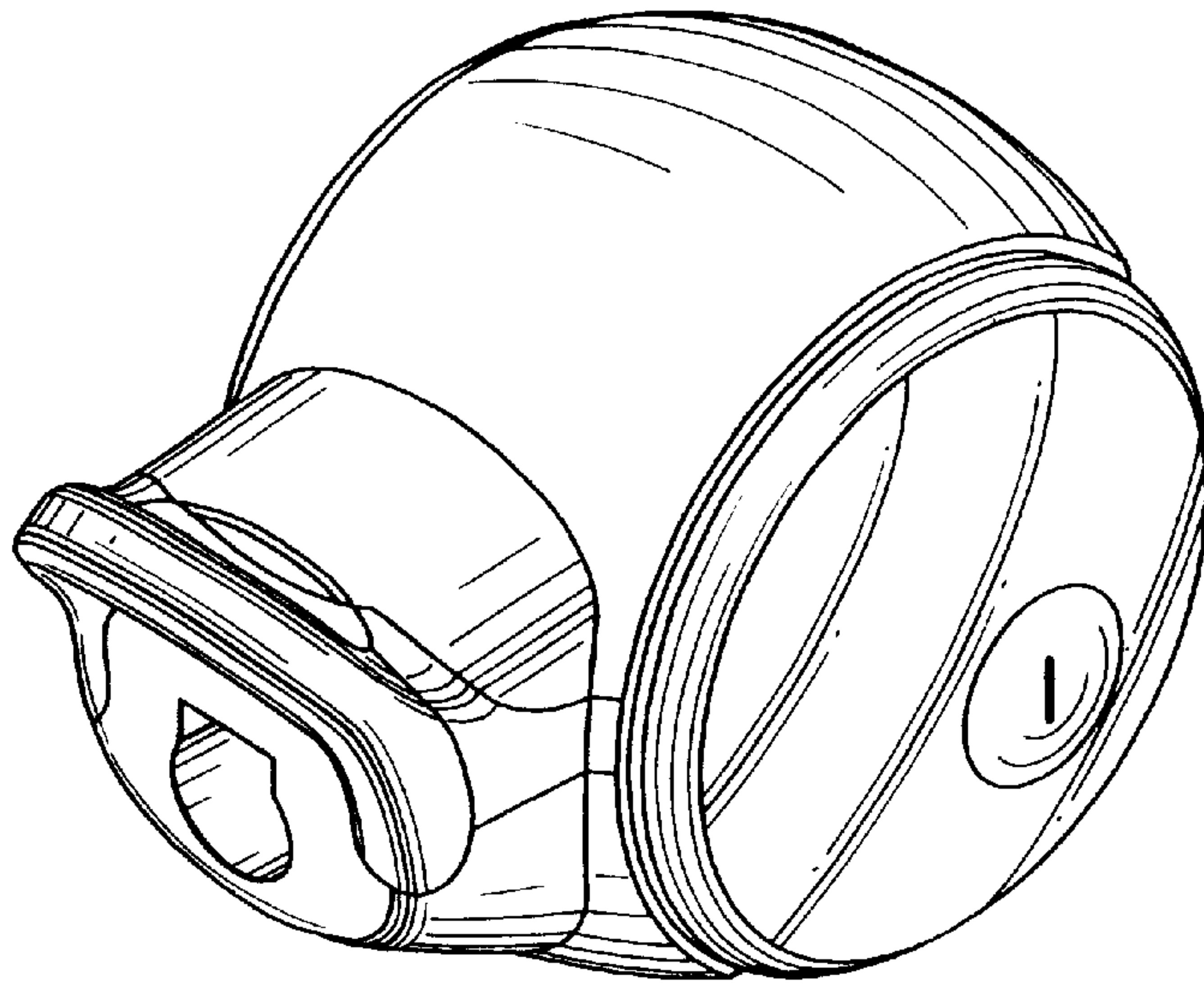


FIG. 2

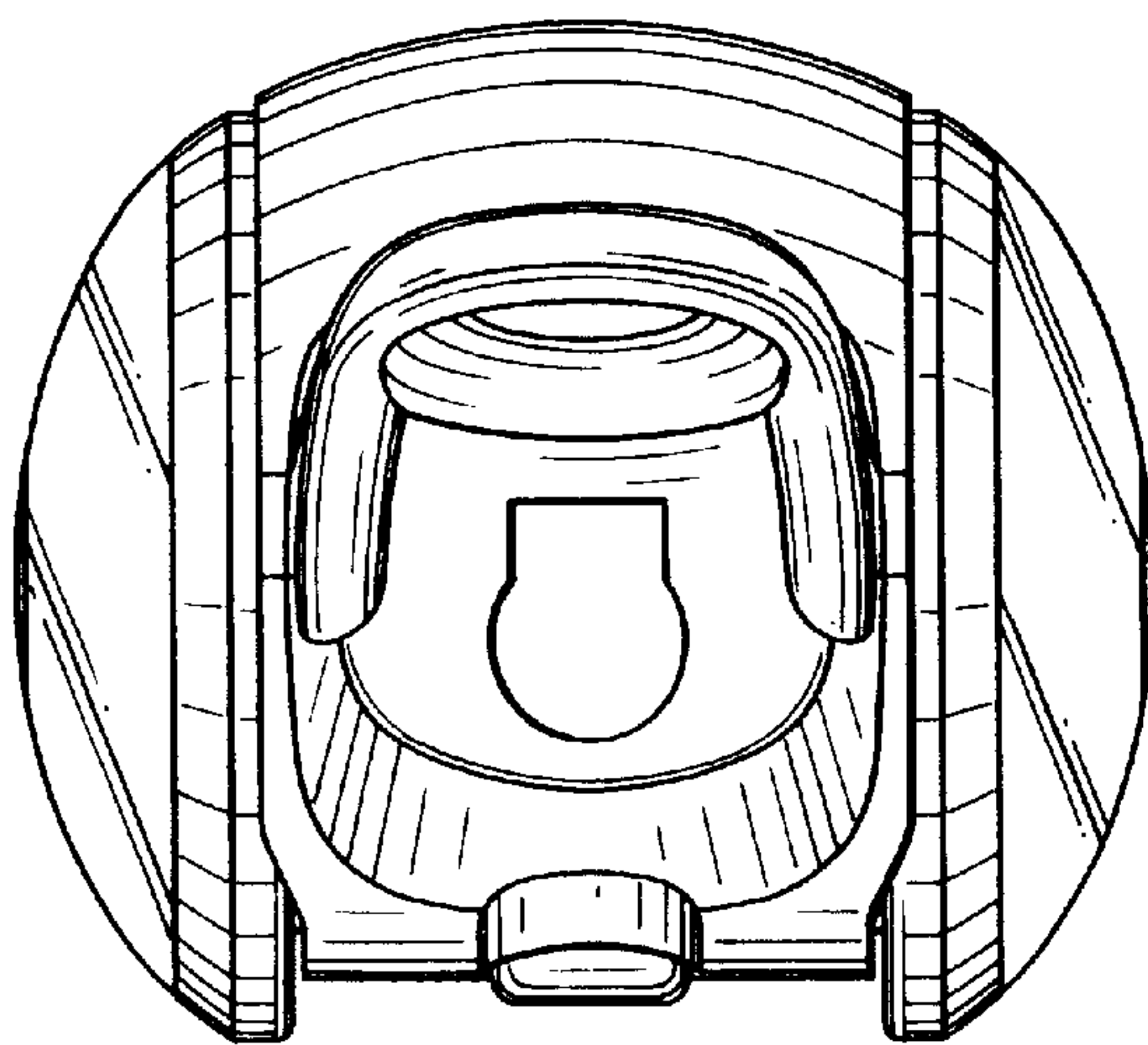


FIG. 3

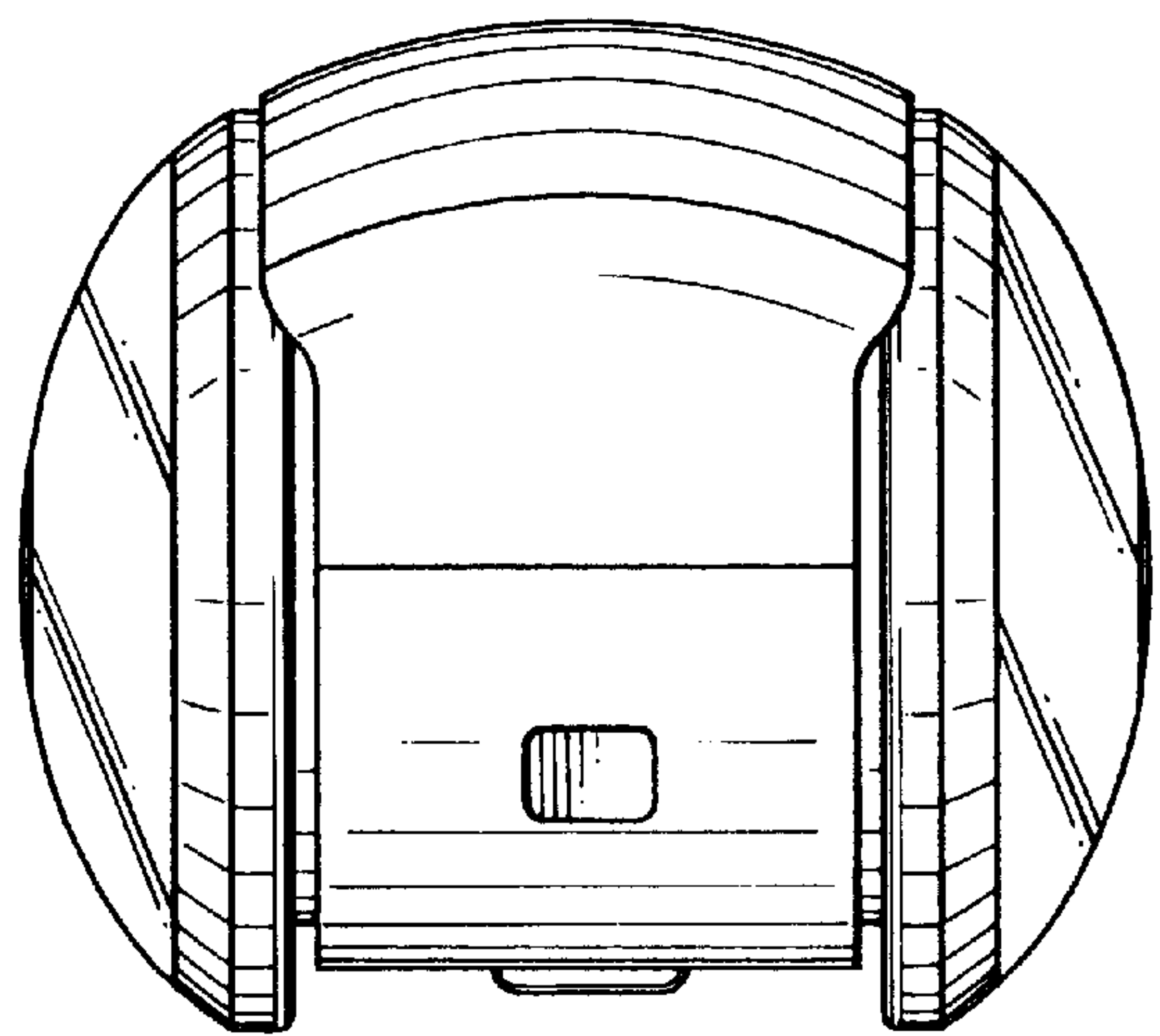


FIG. 4

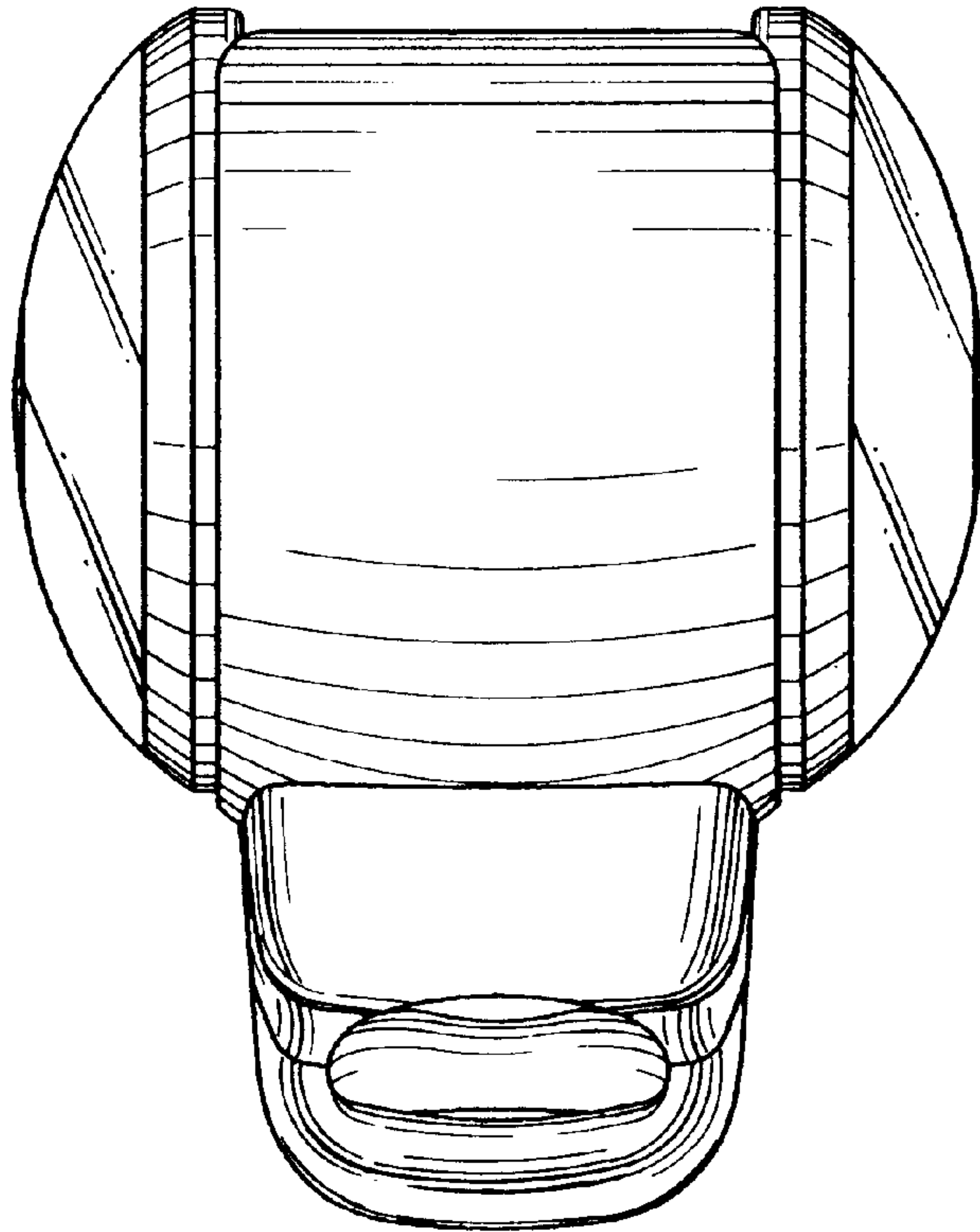


FIG. 5

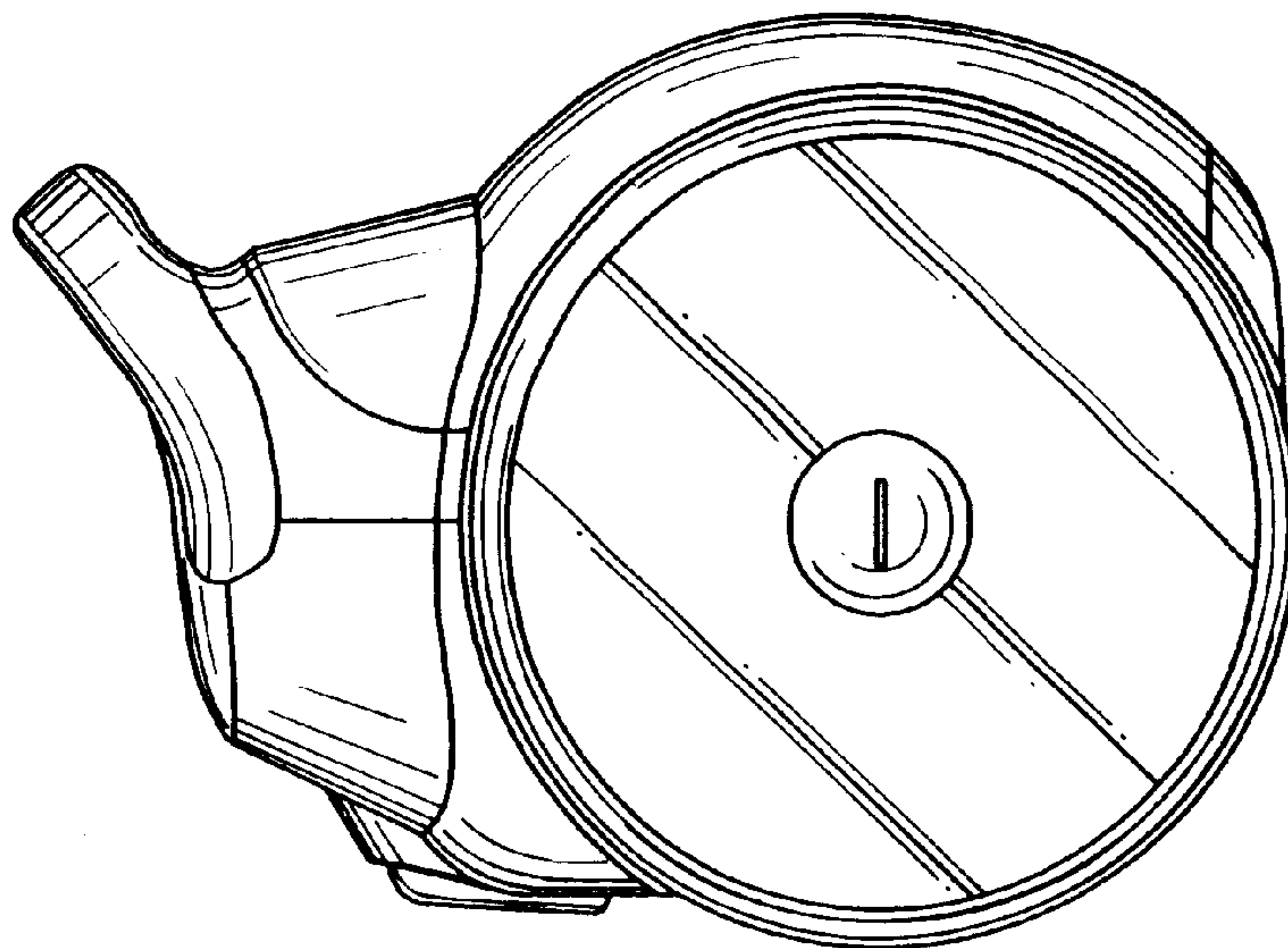


FIG. 6

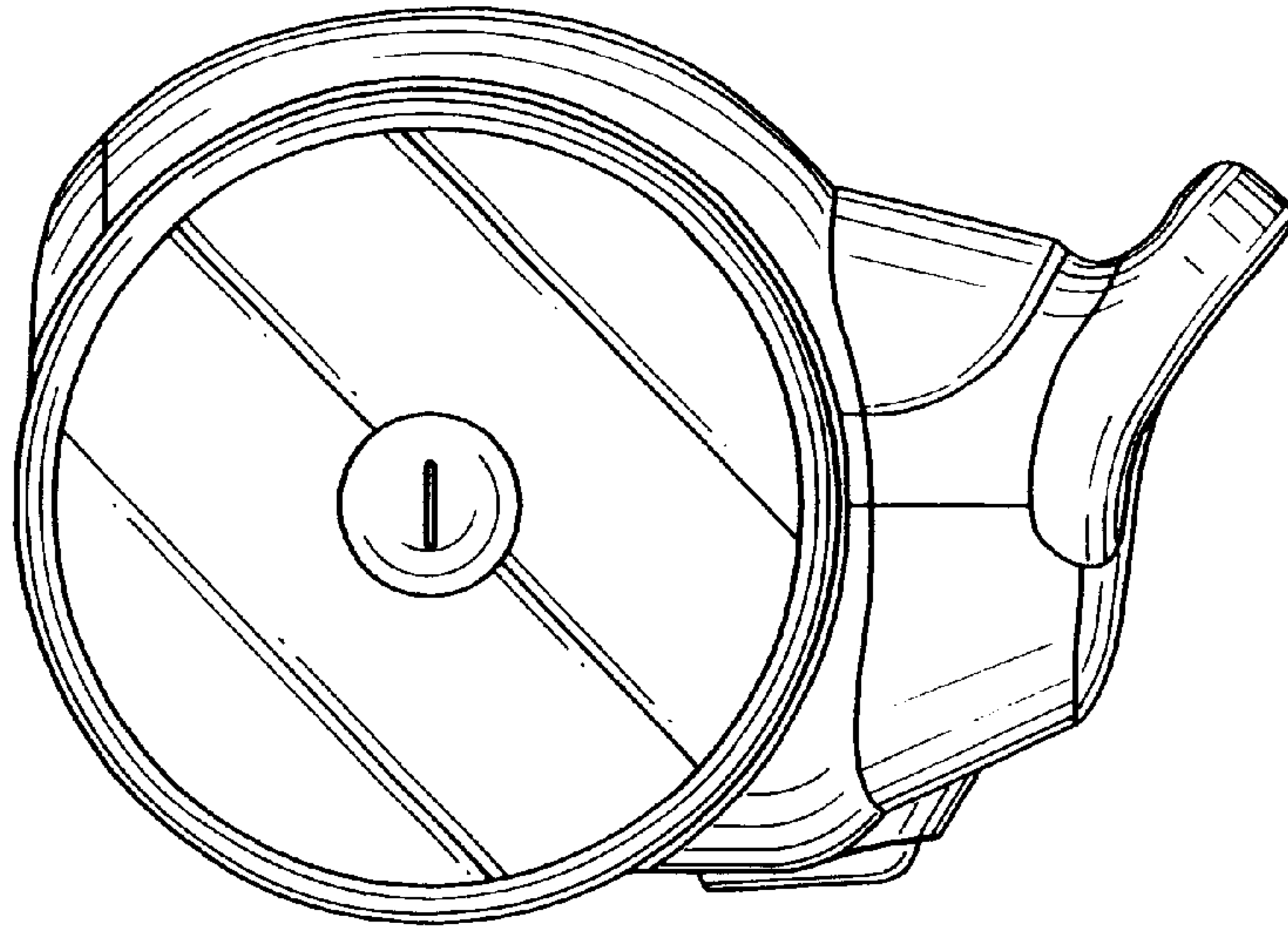


FIG. 7

