



US00D454991S

(12) **United States Design Patent**
Muller

(10) **Patent No.:** **US D454,991 S**

(45) **Date of Patent:** **** Mar. 26, 2002**

(54) **DOG COLLAR TRAINING AID**

(74) *Attorney, Agent, or Firm*—Keith Frantz

(76) **Inventor:** **Pat Muller**, 3822 Pann Rd., South
Beloit, IL (US) 61080

(57) **CLAIM**

The ornamental design for a dog collar training aid, as shown and described.

(**) **Term:** **14 Years**

DESCRIPTION

(21) **Appl. No.:** **29/136,541**

FIG. 1 is a front perspective view of a dog collar training aid showing my new design;

(22) **Filed:** **Feb. 1, 2001**

FIG. 2 is a rear perspective view thereof;

(51) **LOC (7) Cl.** **30-04**

FIG. 3 is a front elevational view thereof;

(52) **U.S. Cl.** **D30/152; D30/155**

FIG. 4 is a rear elevational view thereof;

(58) **Field of Search** D30/155, 152,
D30/160; 119/856, 792, 795, 869, 859,
822, 908, 718, 719, 712, 769, 858, 860

FIG. 5 is a top plan view thereof, the bottom plan view being basically the same;

(56) **References Cited**

FIG. 6 is a left side elevational view thereof, the right side elevational view being the same;

U.S. PATENT DOCUMENTS

FIG. 7 is a reduced scale front perspective view thereof, the broken lines of a collar are for illustrative purposes only and forms no part of the claimed design;

D336,055 S * 6/1993 Juliana et al. D30/152
5,454,350 A * 10/1995 Bethel 119/858
5,474,033 A * 12/1995 Mitchell, Jr. 119/860
6,101,980 A 8/2000 Davies et al.

FIG. 8 is a front perspective view of a second embodiment of a dog collar training aid showing my new design;

OTHER PUBLICATIONS

FIG. 9 is a rear perspective view thereof;

New England Serum Catalog, Fall 2000, p. 109–110.
RC Steele Catalog, Sep. 2000, pp. 31–34.

FIG. 10 is a front elevational view thereof;

* cited by examiner

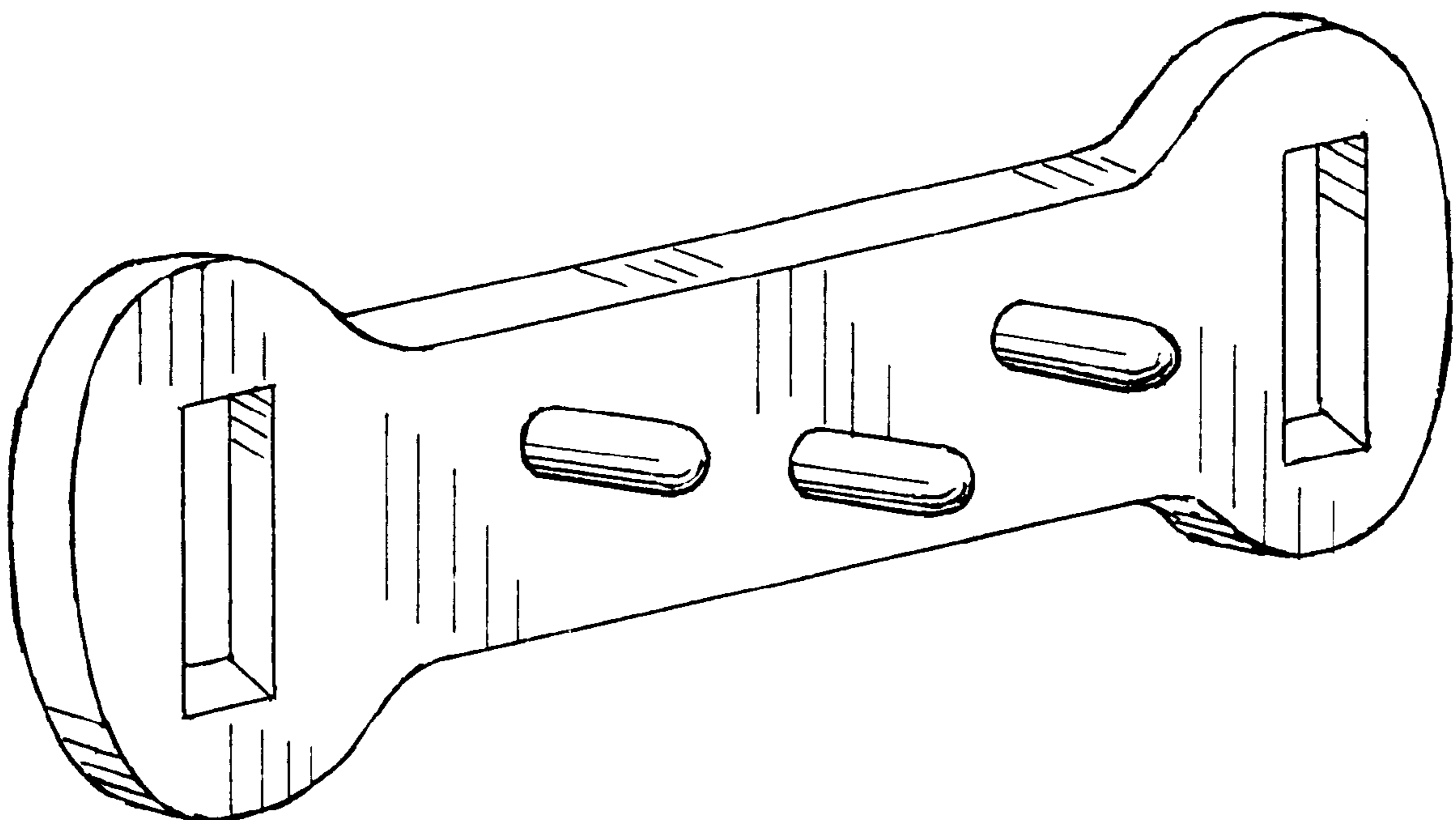
FIG. 11 is a rear elevational view thereof;

Primary Examiner—Pamela Burgess

FIG. 12 is a top plan view thereof, the bottom plan view being the same; and,

1 Claim, 4 Drawing Sheets

FIG. 13 is a left side elevational view thereof, the right side elevational view being the same.



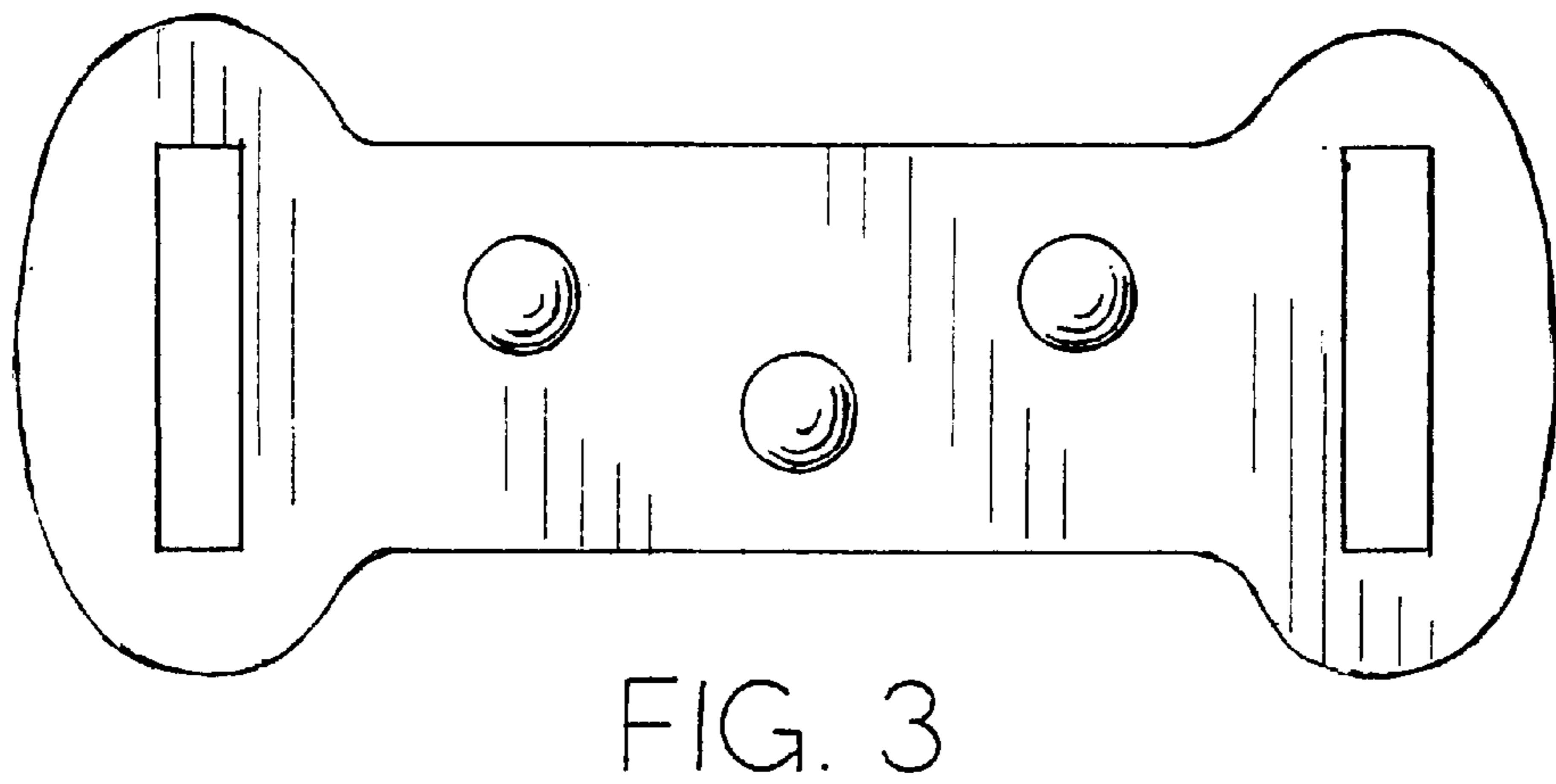
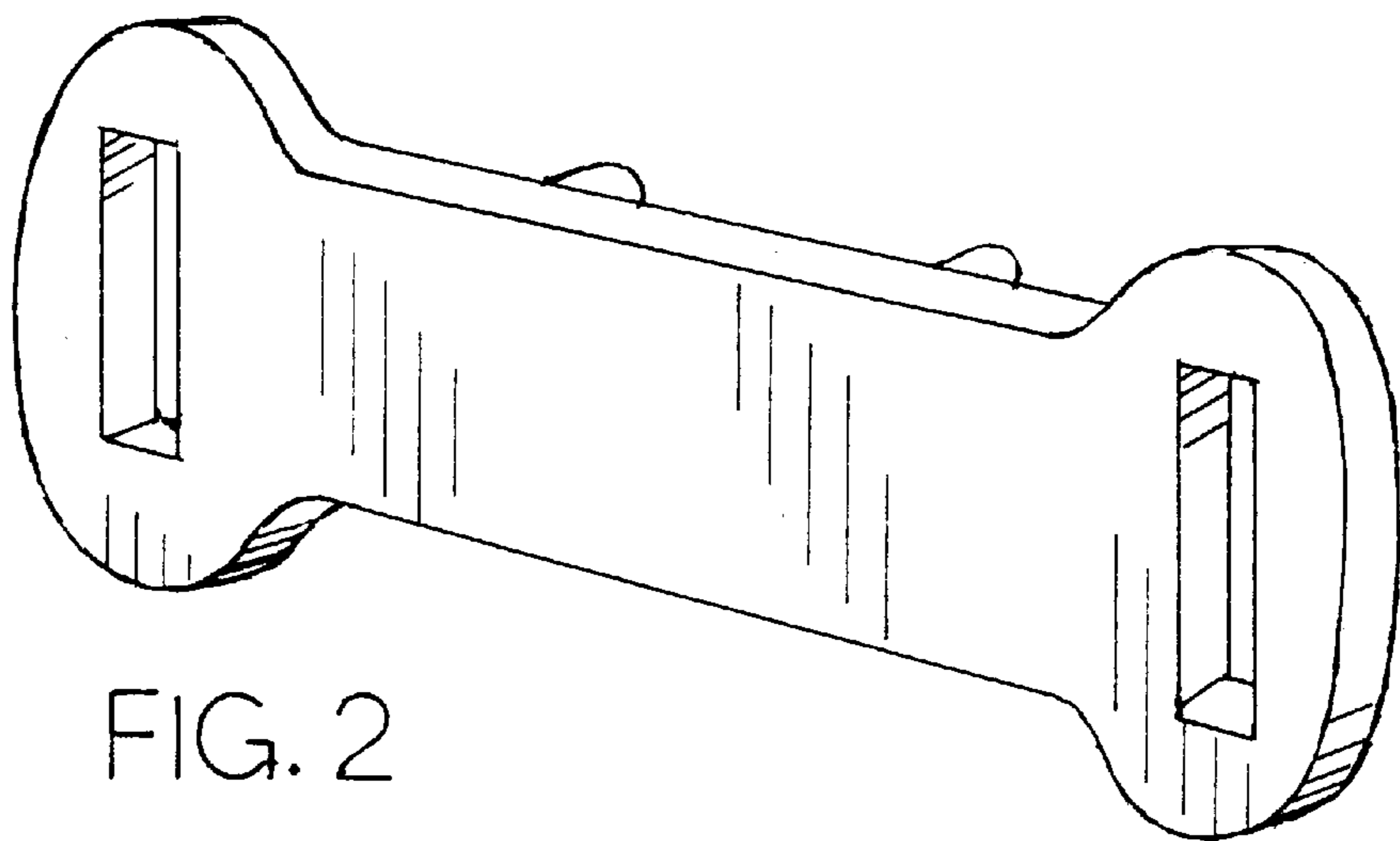
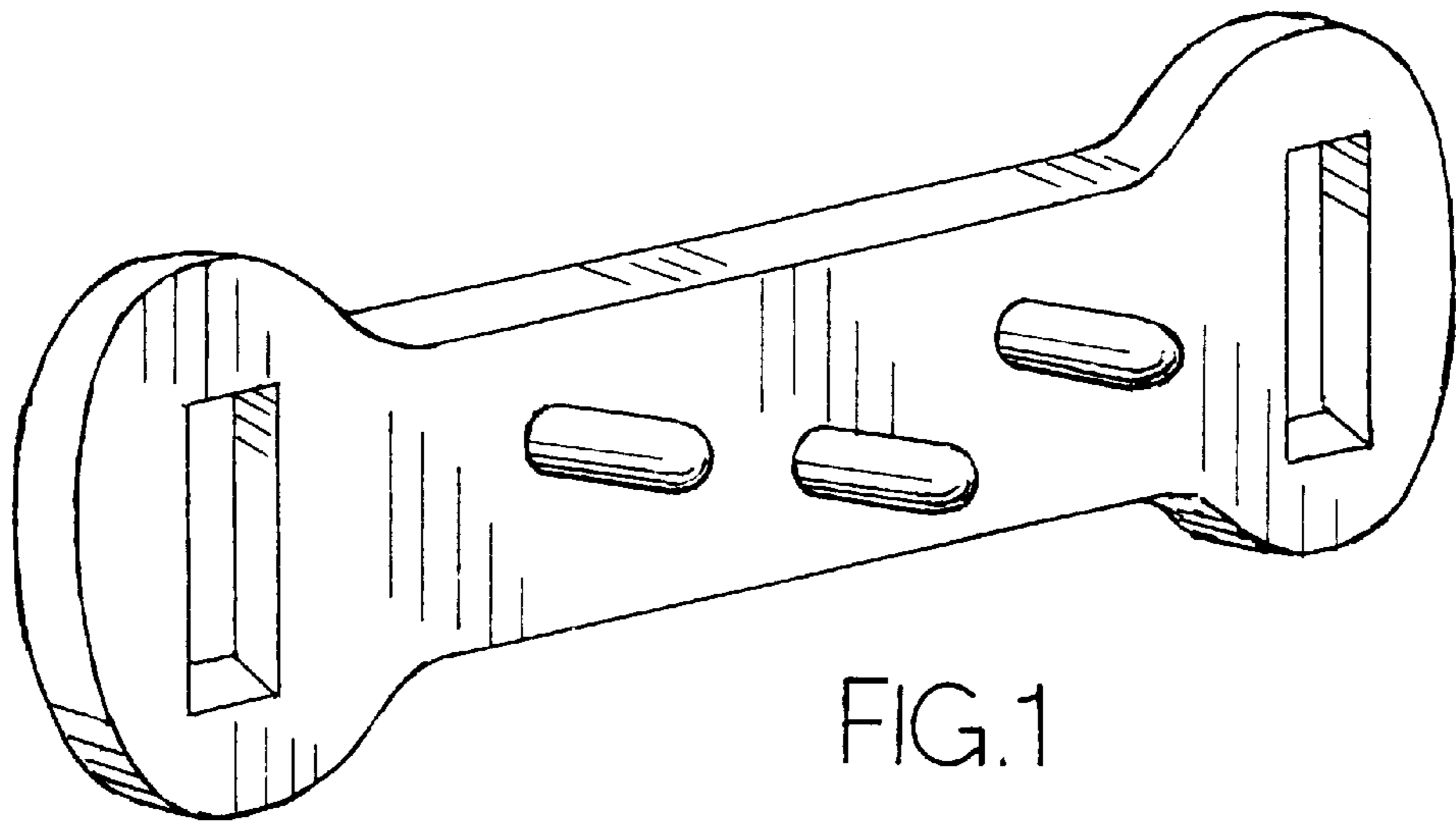


FIG. 4

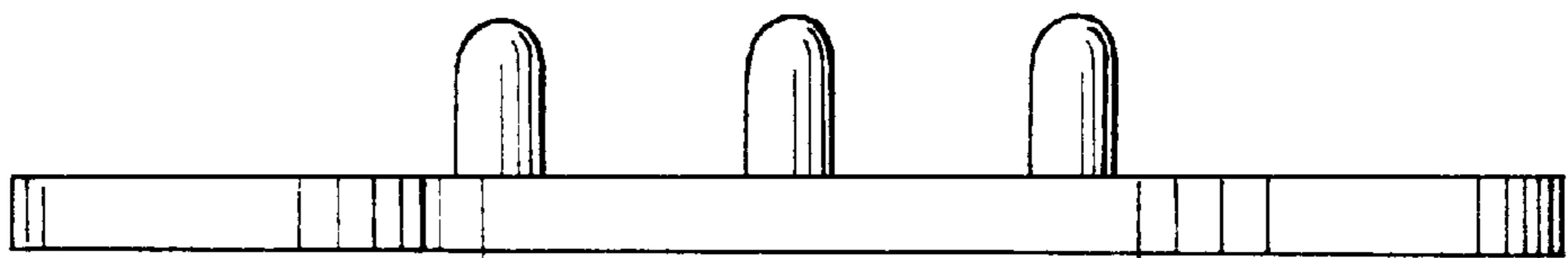
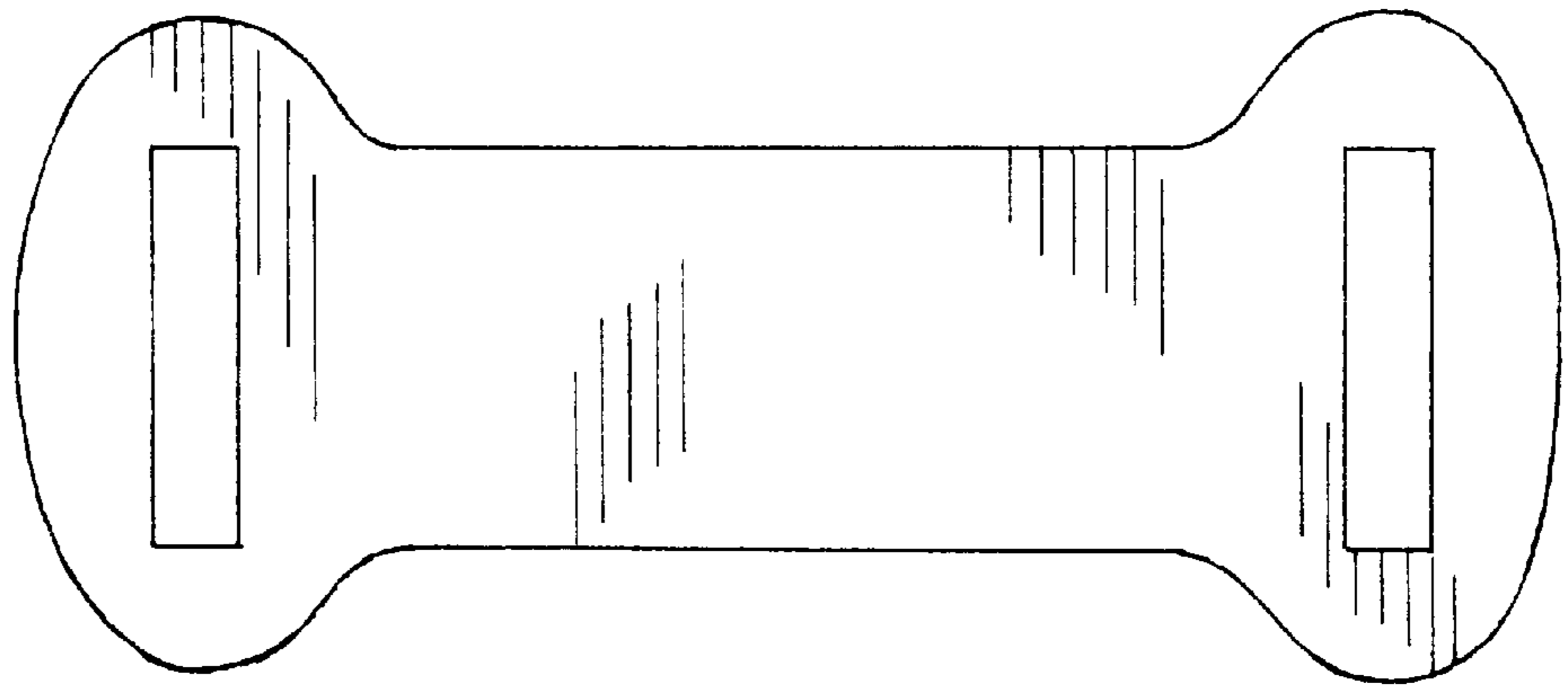


FIG. 5

FIG. 6

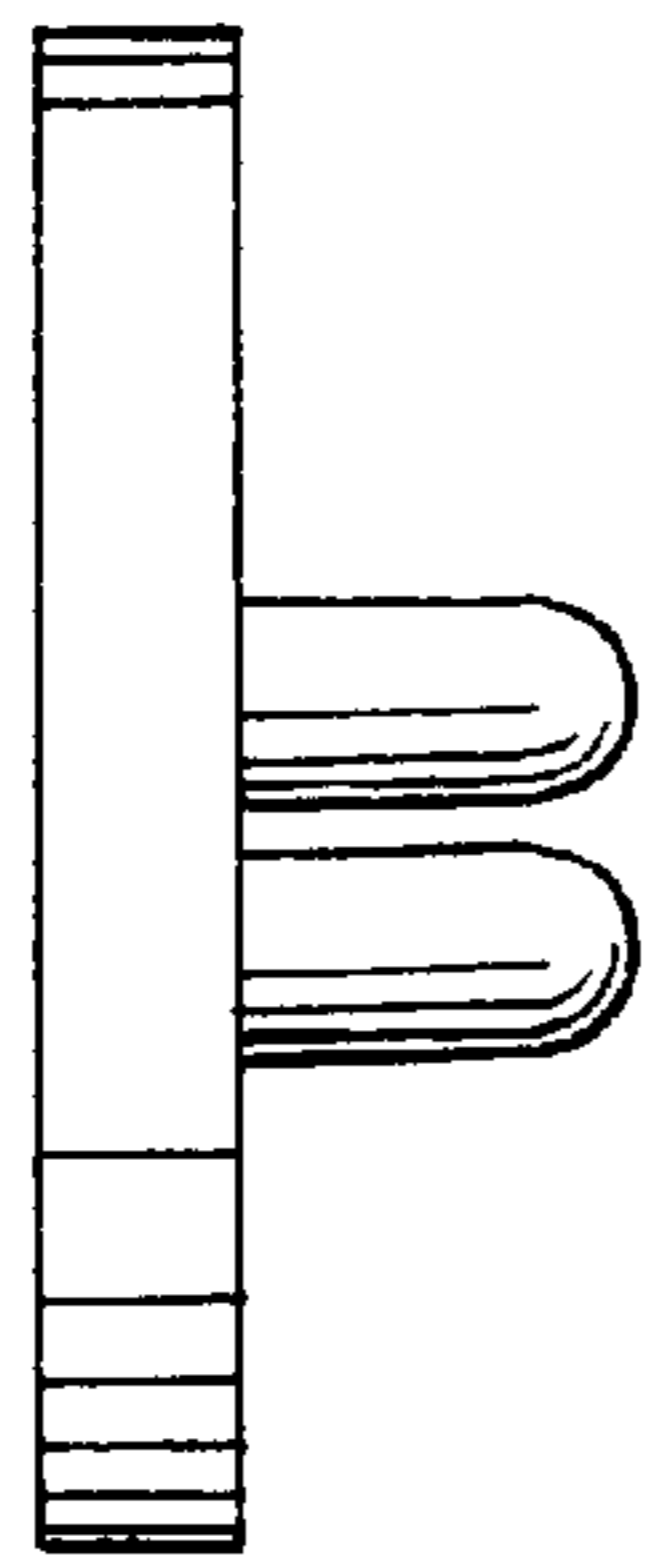


FIG. 7

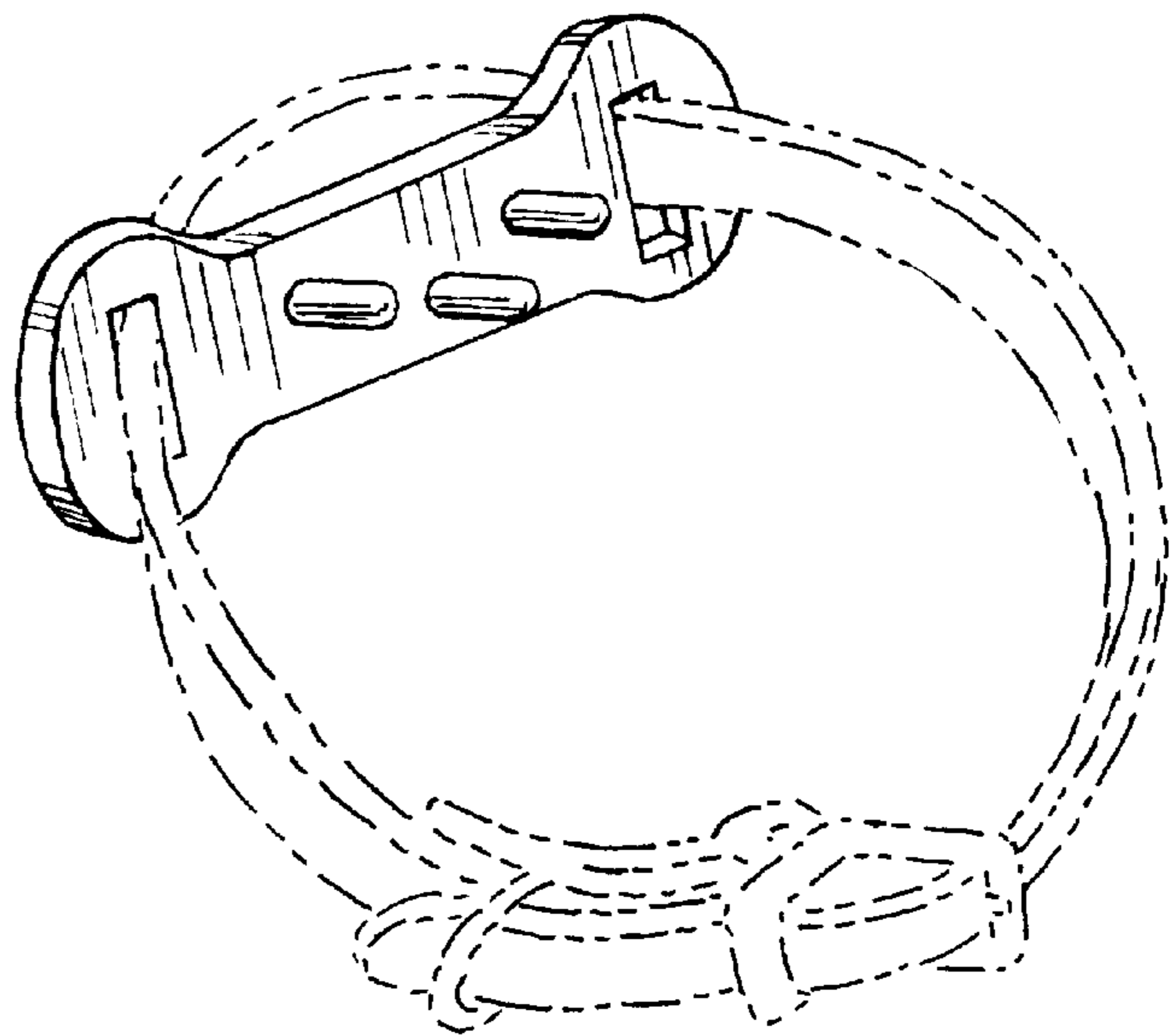


FIG. 8

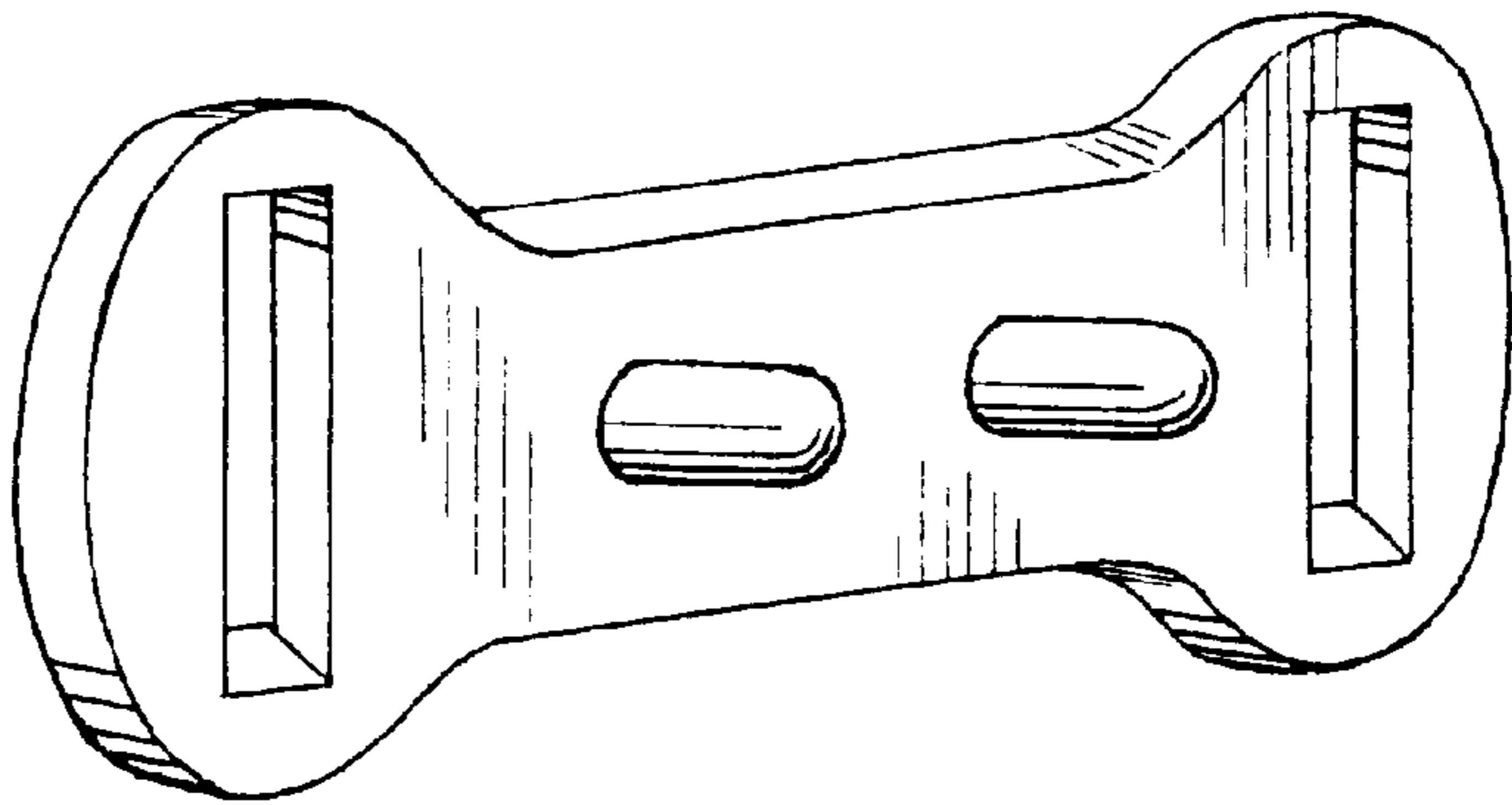


FIG. 9

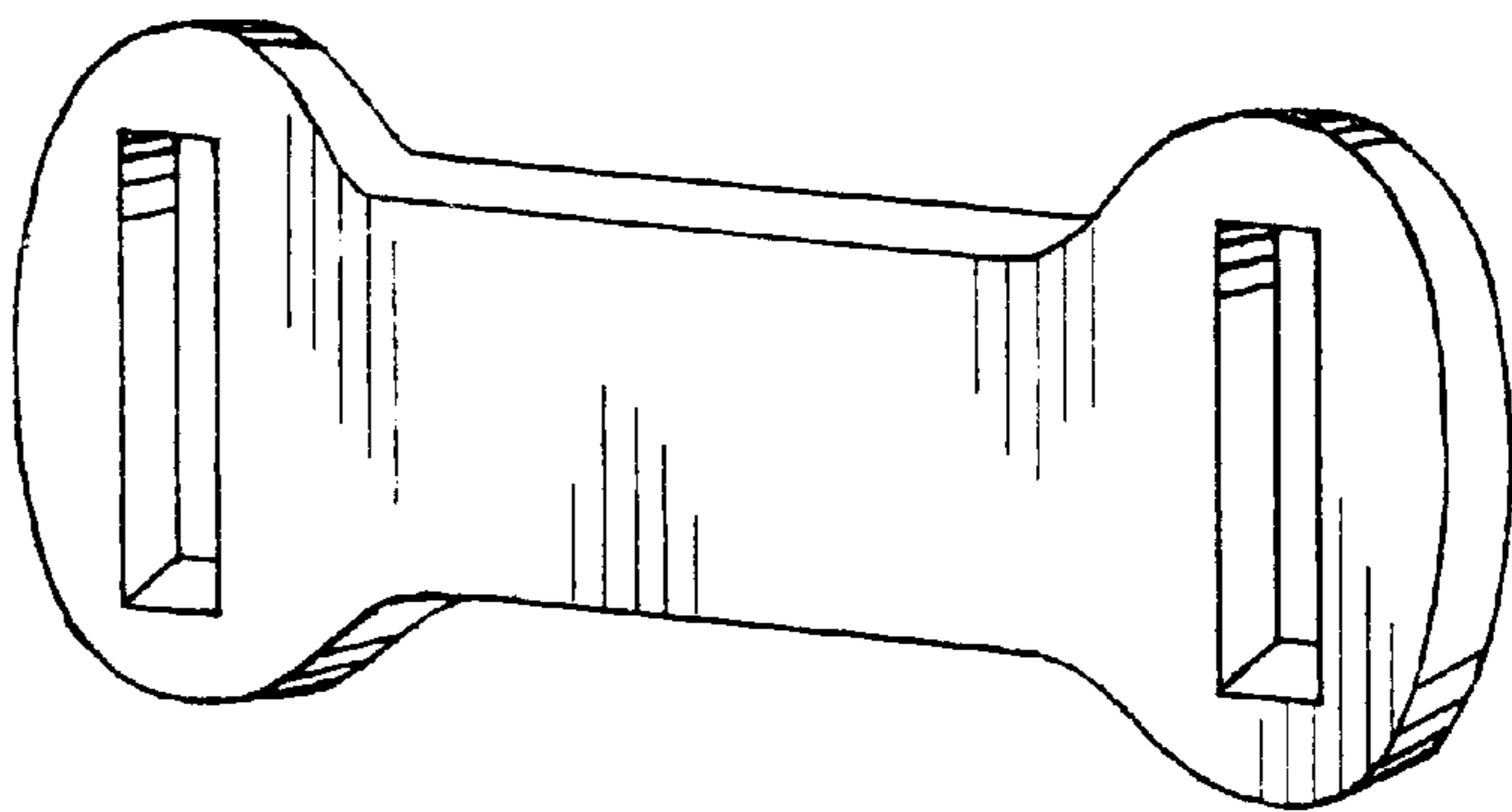


FIG. 10

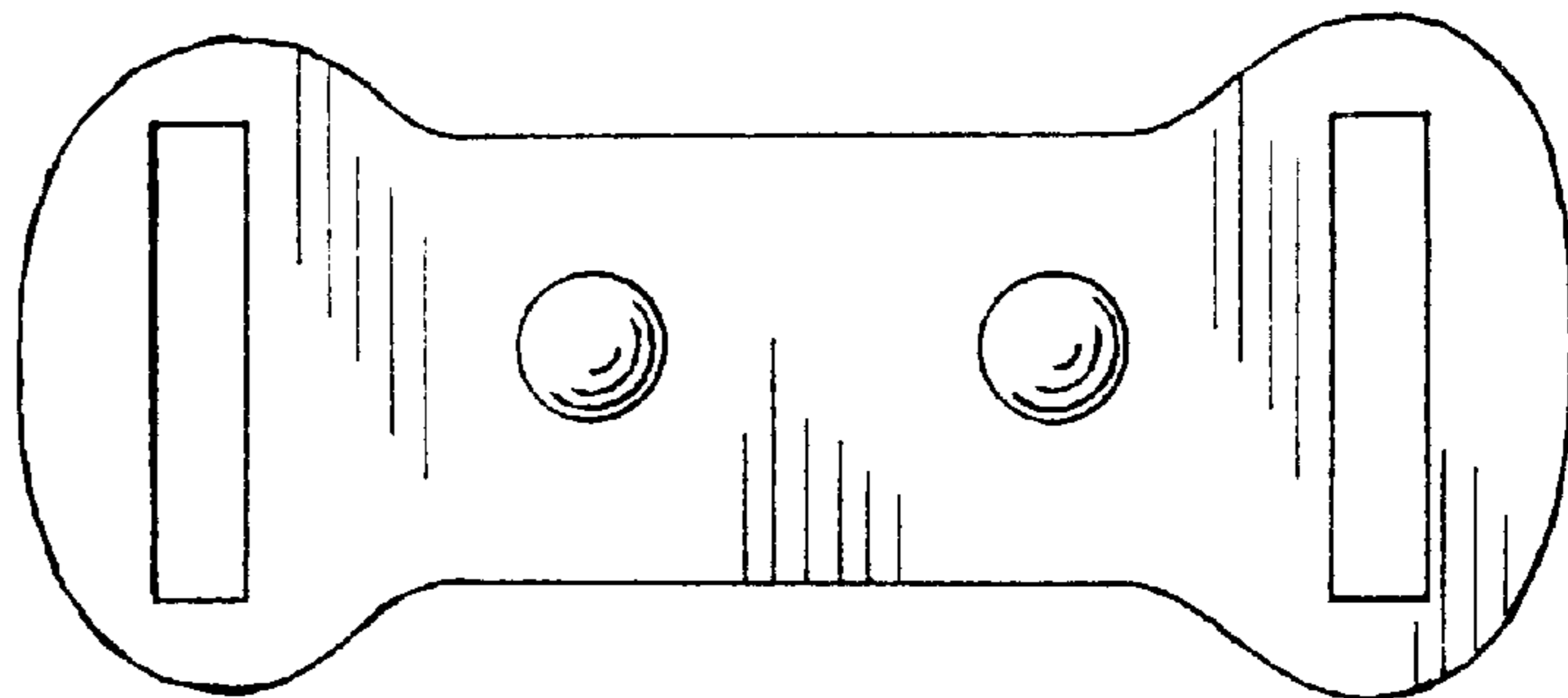
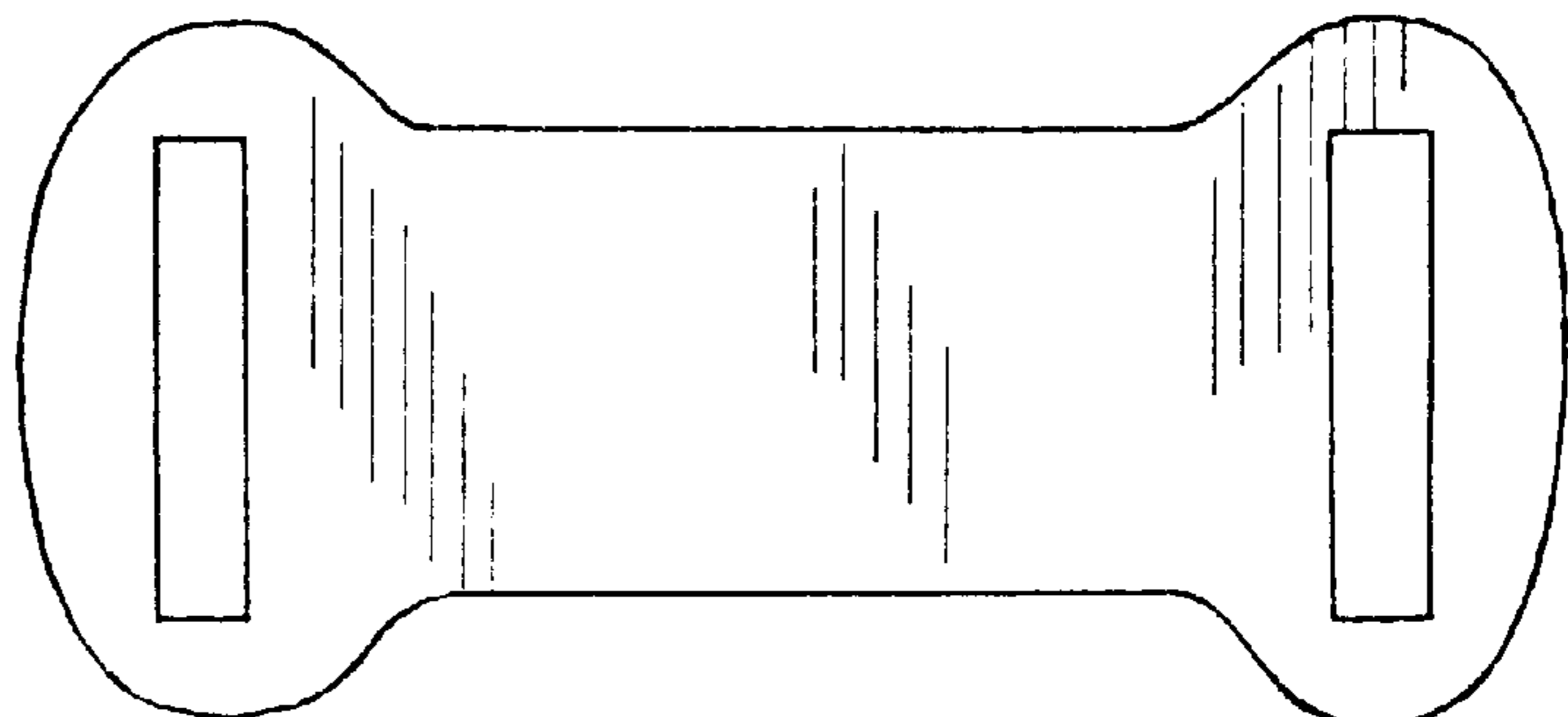


FIG. 11



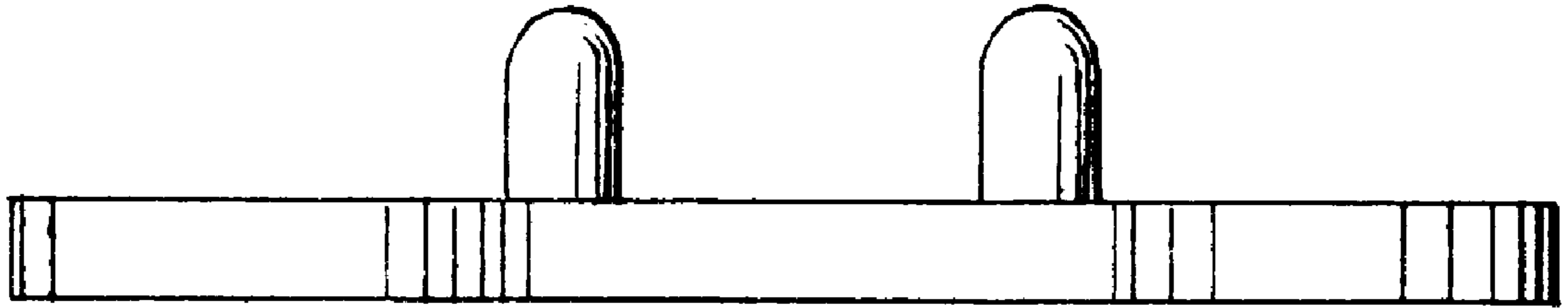


FIG. 12

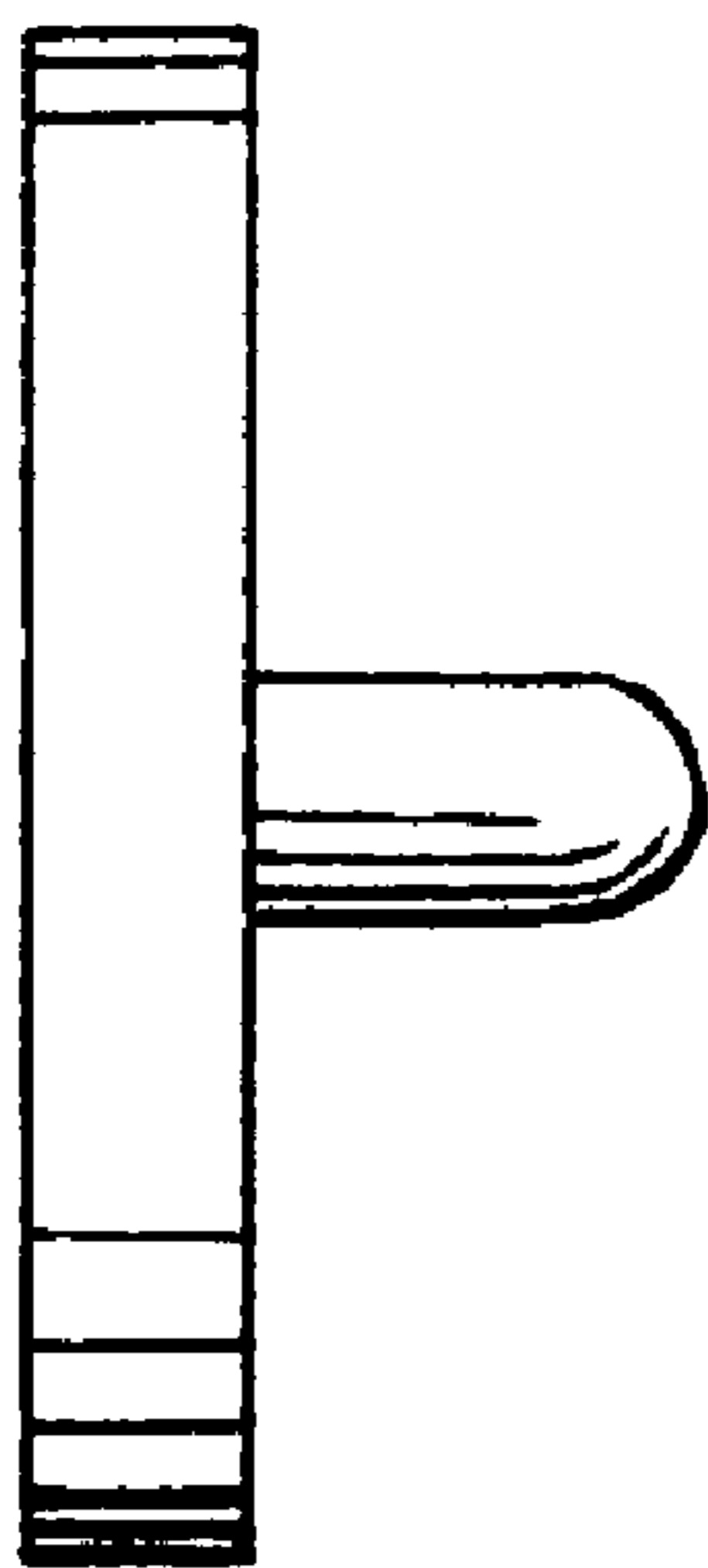


FIG. 13