



US00D454989S

(12) **United States Design Patent**  
**McLaughlin**

(10) **Patent No.:** **US D454,989 S**

(45) **Date of Patent:** **\*\* Mar. 26, 2002**

(54) **TRANSPARENT PET BED WITH A COMFORT RIM**

(76) **Inventor:** **Carole McLaughlin**, 1640 Curtis Dr., Las Vegas, NV (US) 89104

(\*\*) **Term:** **14 Years**

(21) **Appl. No.:** **29/138,537**

(22) **Filed:** **Mar. 16, 2001**

(51) **LOC (7) Cl.** ..... **30-06**

(52) **U.S. Cl.** ..... **D30/118; D7/543; D7/545; D7/584**

(58) **Field of Search** ..... D30/108-119, D30/161, 124-128; 119/28.5, 703, 706, 416, 474, 452-456, 475, 459, 467, 408, 410, 482, 436, 496-497, 500-502, 161-165, 166, 168-170; 4/484

(56) **References Cited**

**U.S. PATENT DOCUMENTS**

D216,400 S \* 12/1969 Schwertley ..... D30/118

D234,180 S \* 1/1975 Dart et al. .... D7/584  
D239,395 S \* 3/1976 David ..... D30/118  
4,759,086 A \* 7/1988 Booth-Cox ..... 4/484  
D385,065 S \* 10/1997 Krizek ..... D30/161  
D386,831 S \* 11/1997 Krizek ..... D30/118  
D402,852 S \* 12/1998 Benson ..... D7/543  
D436,697 S \* 1/2001 Fiore et al. .... D30/118  
D447,007 S \* 8/2001 Schultz ..... D7/545

\* cited by examiner

*Primary Examiner*—Cathy Anne MacCormac

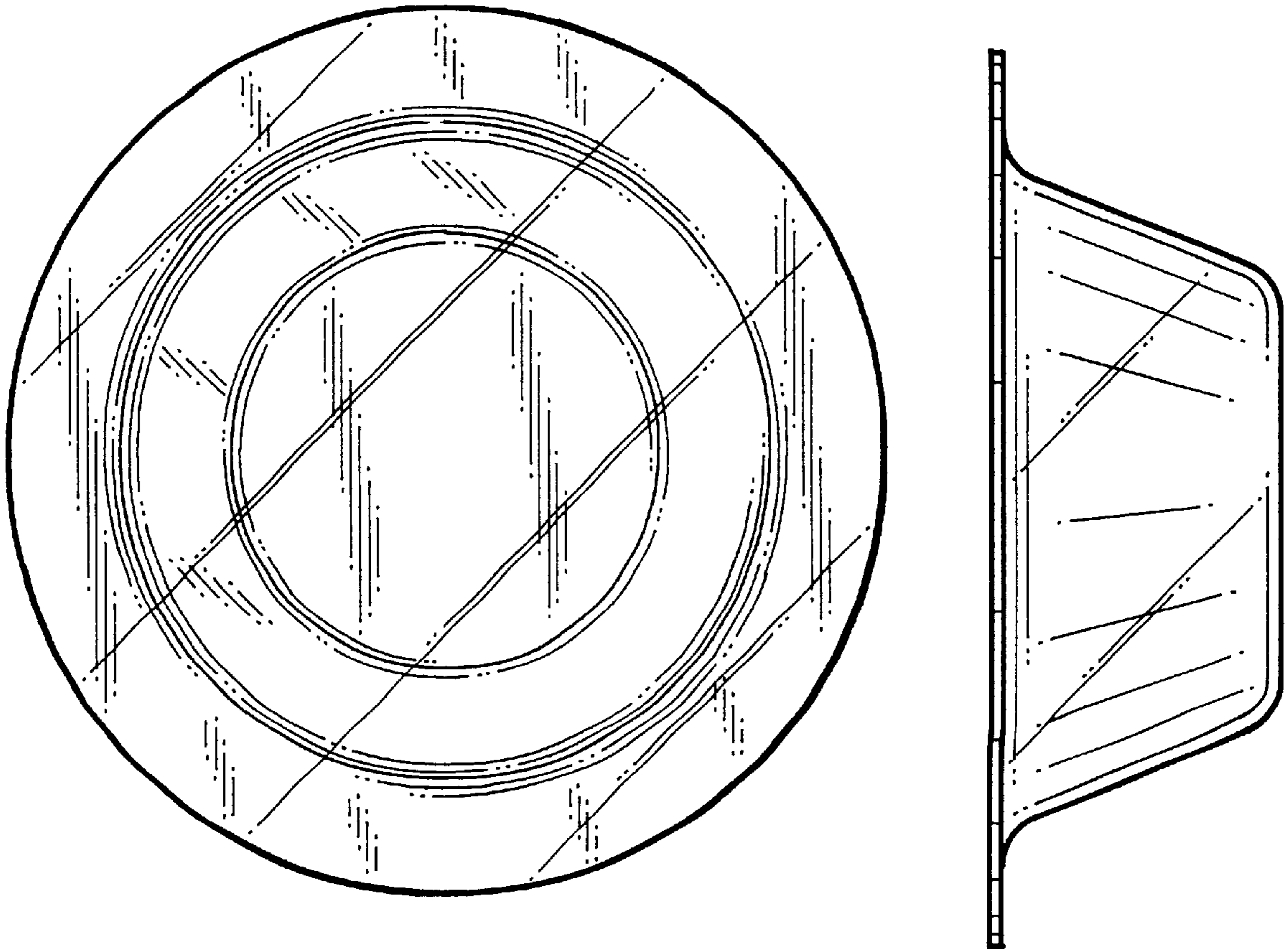
(57) **CLAIM**

The ornamental design for a transparent pet bed with a comfort rim, as shown.

**DESCRIPTION**

FIG. 1 is a top view of a transparent pet bed with a comfort rim in accordance with the invention; FIG. 2 is a bottom view thereof; and, FIG. 3 is a side view thereof.

**1 Claim, 1 Drawing Sheet**



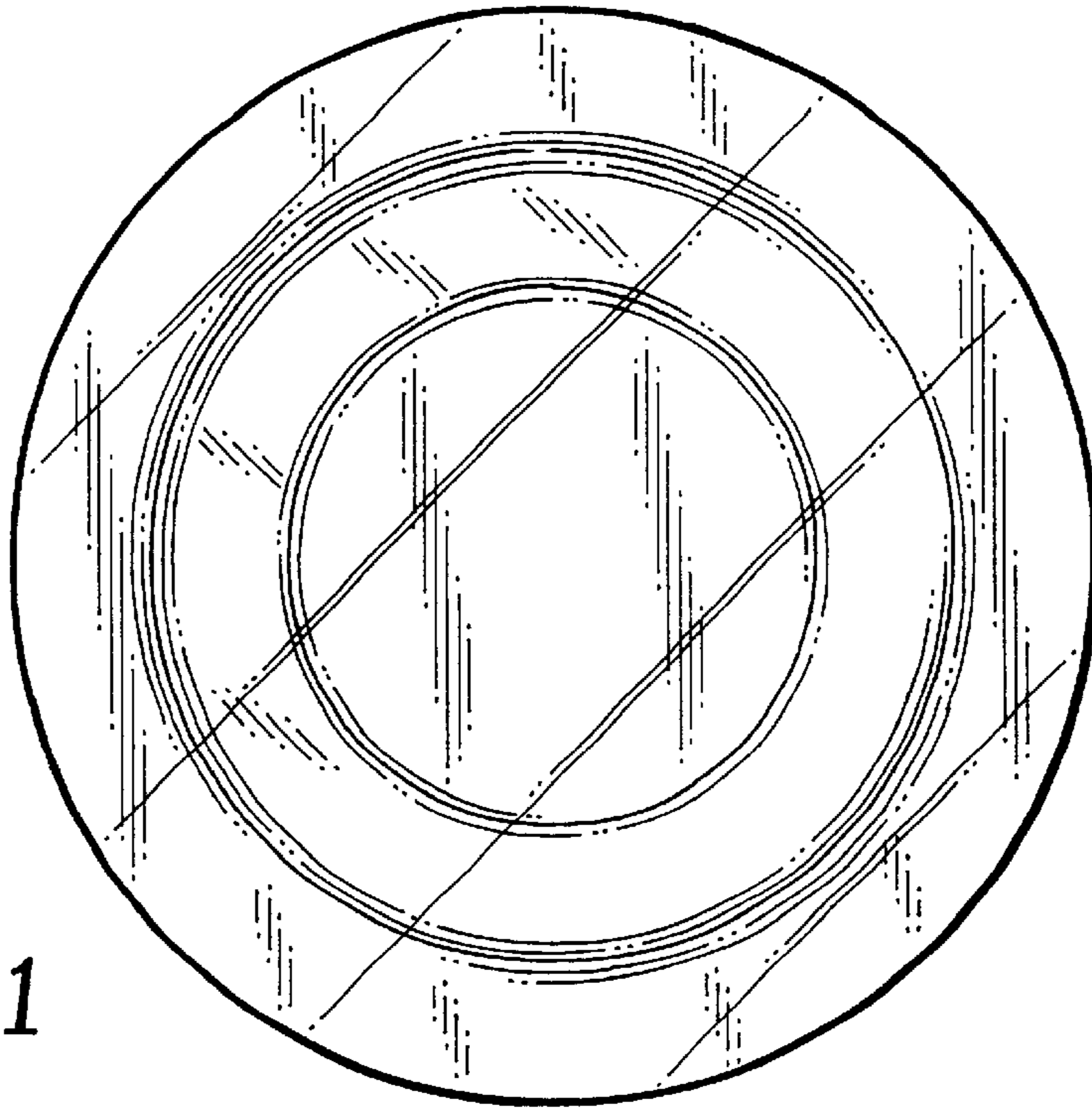


FIG. 1

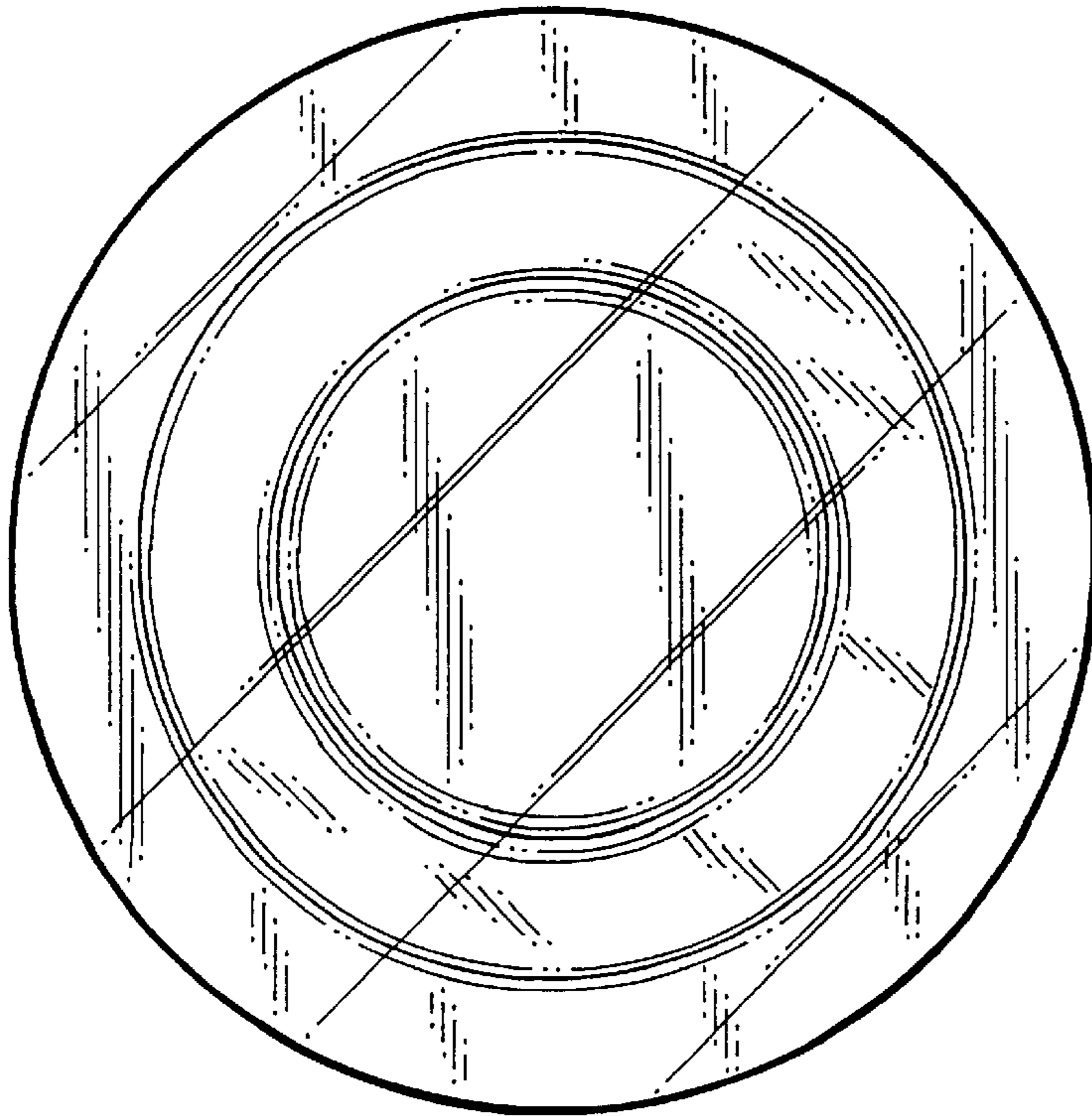


FIG. 2

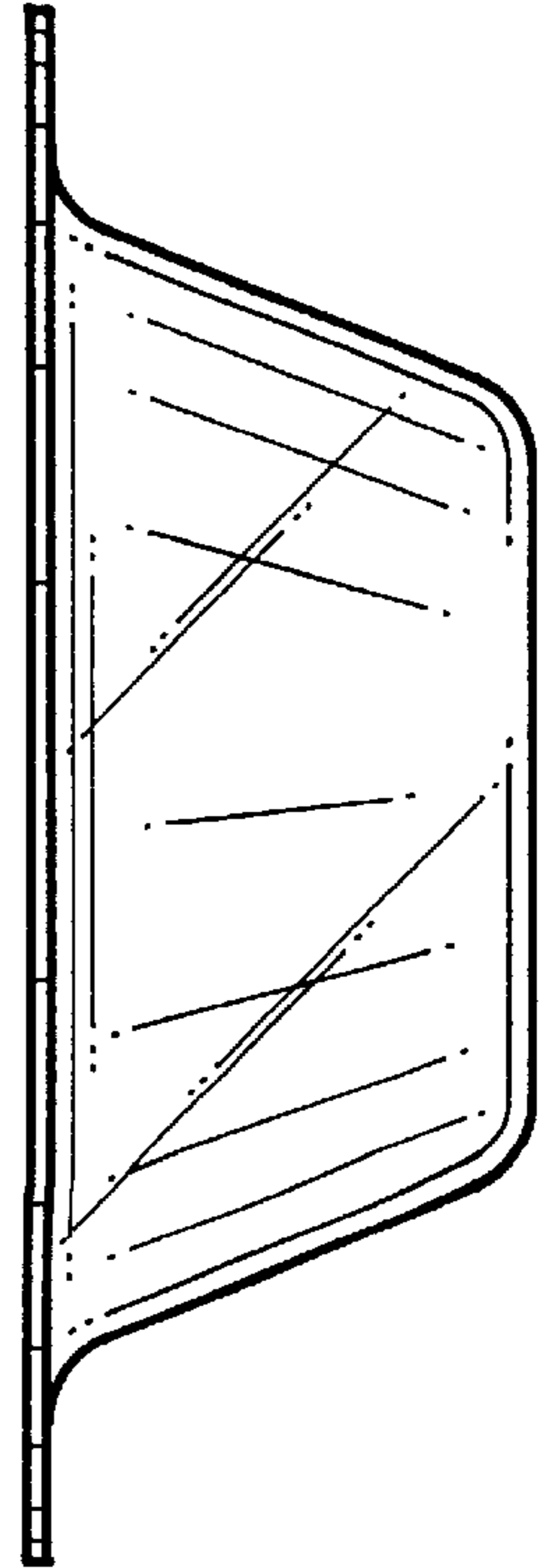


FIG. 3