



US00D454982S

(12) **United States Design Patent**  
**Renfrew**

(10) **Patent No.:** **US D454,982 S**

(45) **Date of Patent:** **\*\* Mar. 26, 2002**

(54) **COSMETIC TRAY**

(76) **Inventor:** **Marquerite D. Renfrew, 70**  
**Frenchtown Rd., No. 207, N.**  
**Kingstown, RI (US) 02852**

(\*\*) **Term:** **14 Years**

D367,587 S	3/1996	Perlmutter et al. ....	D7/555
D390,702 S	2/1998	Lawton et al. ....	D3/310
D396,954 S	8/1998	Iversen et al. ....	D3/313
D396,955 S	8/1998	Iversen et al. ....	D3/313
D418,947 S *	1/2000	Greiner .....	D28/73
6,065,478 A *	5/2000	Hartelius et al. ....	132/72
D426,921 S	6/2000	Renfrew .....	D28/73
D434,188 S	11/2000	Renfrew .....	D28/73

(21) **Appl. No.:** **29/127,899**

(22) **Filed:** **Aug. 14, 2000**

(51) **LOC (7) Cl.** ..... **28-03**

(52) **U.S. Cl.** ..... **D28/73; D28/61**

(58) **Field of Search** ..... **D28/73-77, 38;**  
**D3/203, 205, 206, 313; D7/553.8, 701,**  
**703; D9/341, 347; D19/75, 77, 95; D24/229,**  
**230; 132/73, 73.5, 74.5, 75, 286, 314; 206/581,**  
**823, 557-565, 371-373; 220/500, 505,**  
**506, 555; 211/13.1, 26, 60.1, 70.6, 74,**  
**77, 78, 85.18, 126.1, 131.1; 248/346.01,**  
**346.03, 349.1, 346.5**

**FOREIGN PATENT DOCUMENTS**

DE	2346510	* 3/1975	.....	132/73
FR	925276	* 8/1947	.....	132/73

\* cited by examiner

*Primary Examiner*—Adir Aronovich

*Assistant Examiner*—C Tuttle

(74) *Attorney, Agent, or Firm*—Barlow, Josephs & Holmes, Ltd.

(57) **CLAIM**

The ornamental design for a cosmetic tray, as shown and described.

(56) **References Cited**

**U.S. PATENT DOCUMENTS**

D100,479 S	*	7/1936	Sheridan .....	D28/61
D123,047 S		10/1940	Brooks .....	D28/77
D123,248 S	*	10/1940	Henderson .....	D6/408
D170,669 S	*	10/1953	Wagner .....	D28/61
D205,676 S		9/1966	Kirwan et al. ....	D7/553.5
3,456,806 A	*	7/1969	Borston .....	211/60.1
4,027,404 A	*	6/1977	Brant .....	206/1.8 X
D271,932 S		12/1983	Mosley .....	D7/553.5
D280,290 S		8/1985	Bakus .....	D9/347
D320,909 S		10/1991	Szablak et al. ....	D7/701
D333,237 S		2/1993	Plaut .....	D7/553.2
D347,908 S		6/1994	Downard .....	D28/61
D354,310 S		1/1995	Crist et al. ....	D19/75

**DESCRIPTION**

FIG. 1 is a perspective view of a cosmetic tray showing my new design; the broken line showing of a product container and electrical cord are for illustrative purposes only and form no part of the claimed design;

FIG. 2 is a top view thereof;

FIG. 3 is a bottom view thereof;

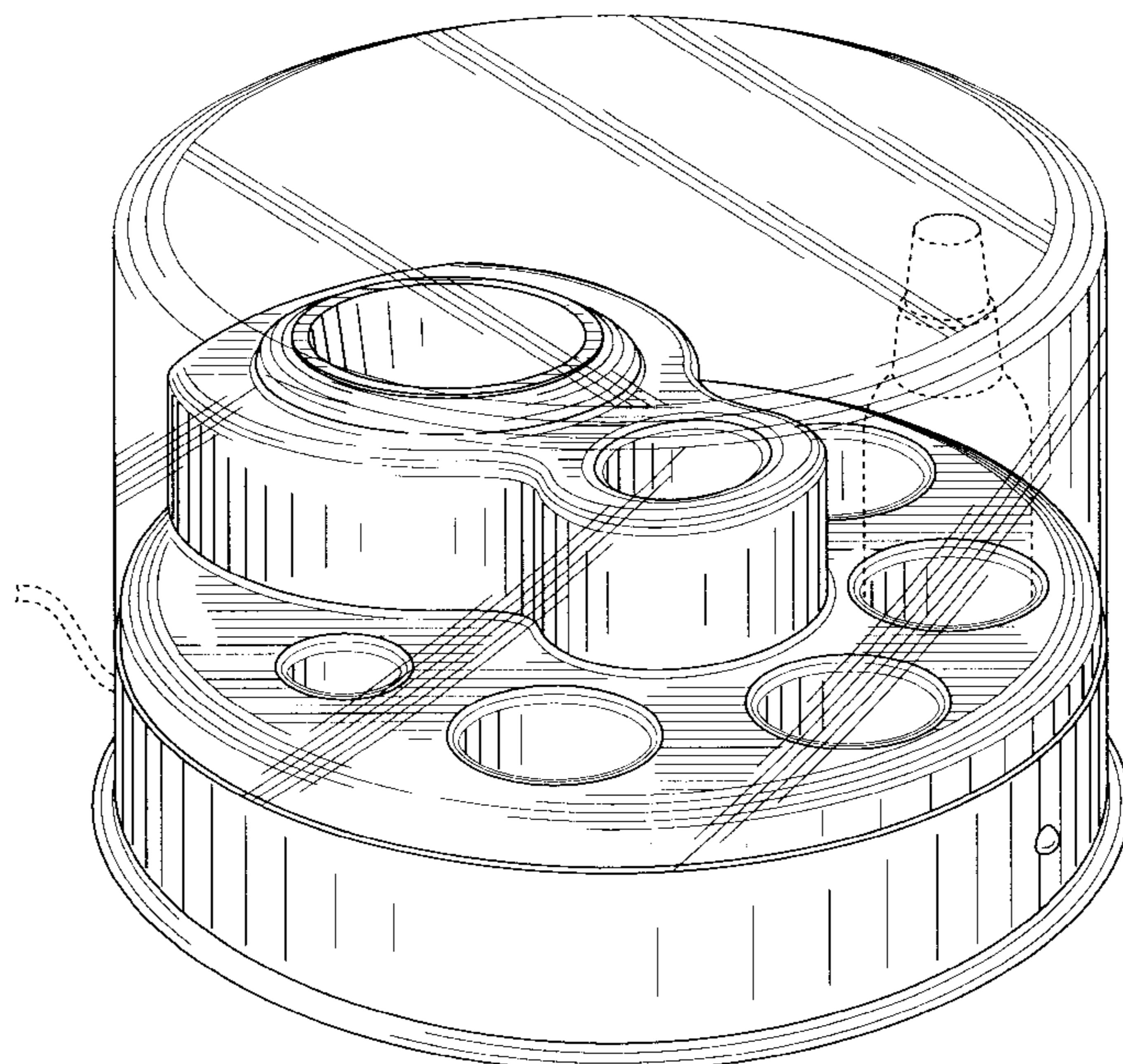
FIG. 4 is a front view thereof;

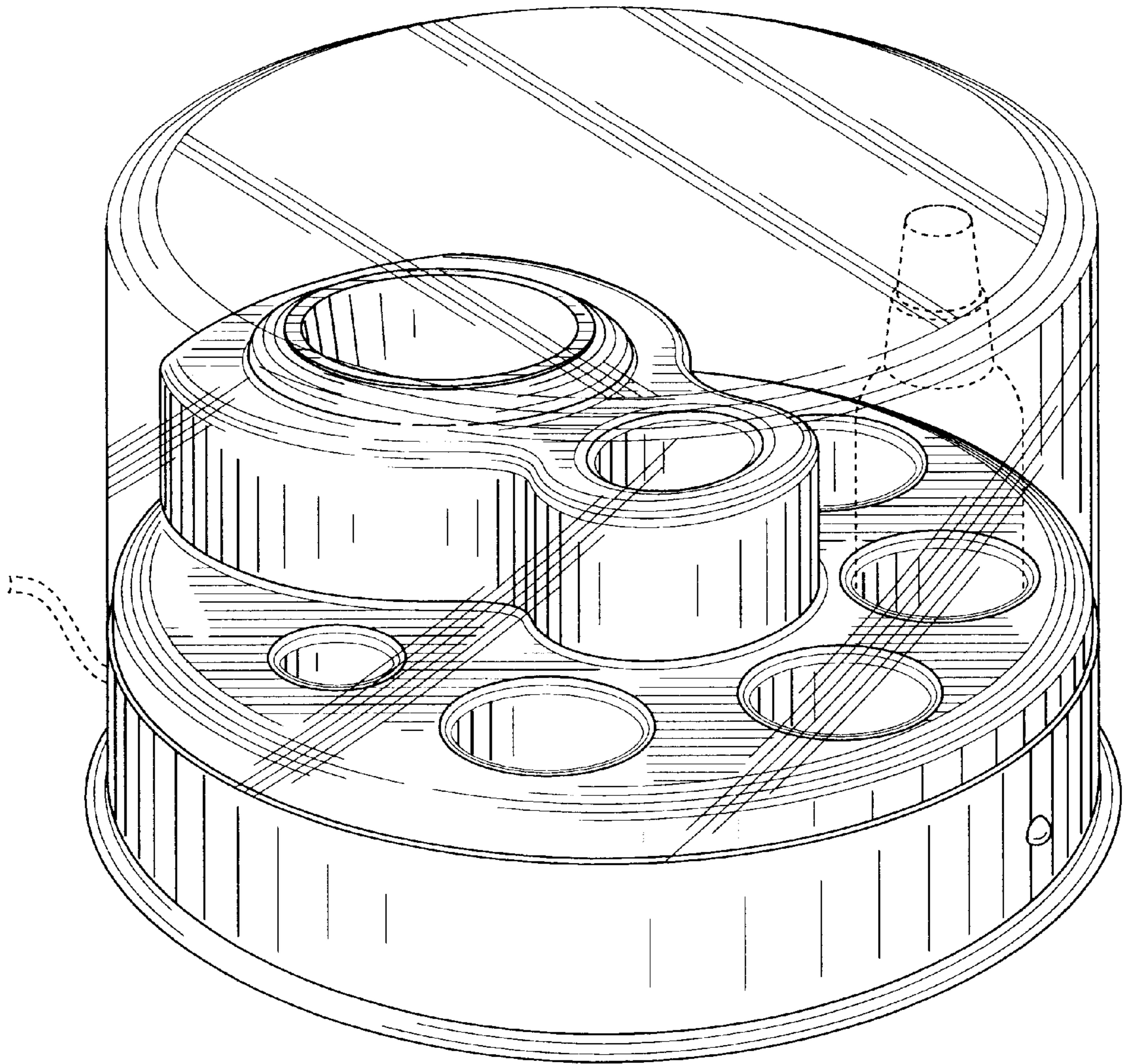
FIG. 5 is a rear elevational view thereof;

FIG. 6 is a left side elevational view thereof; and,

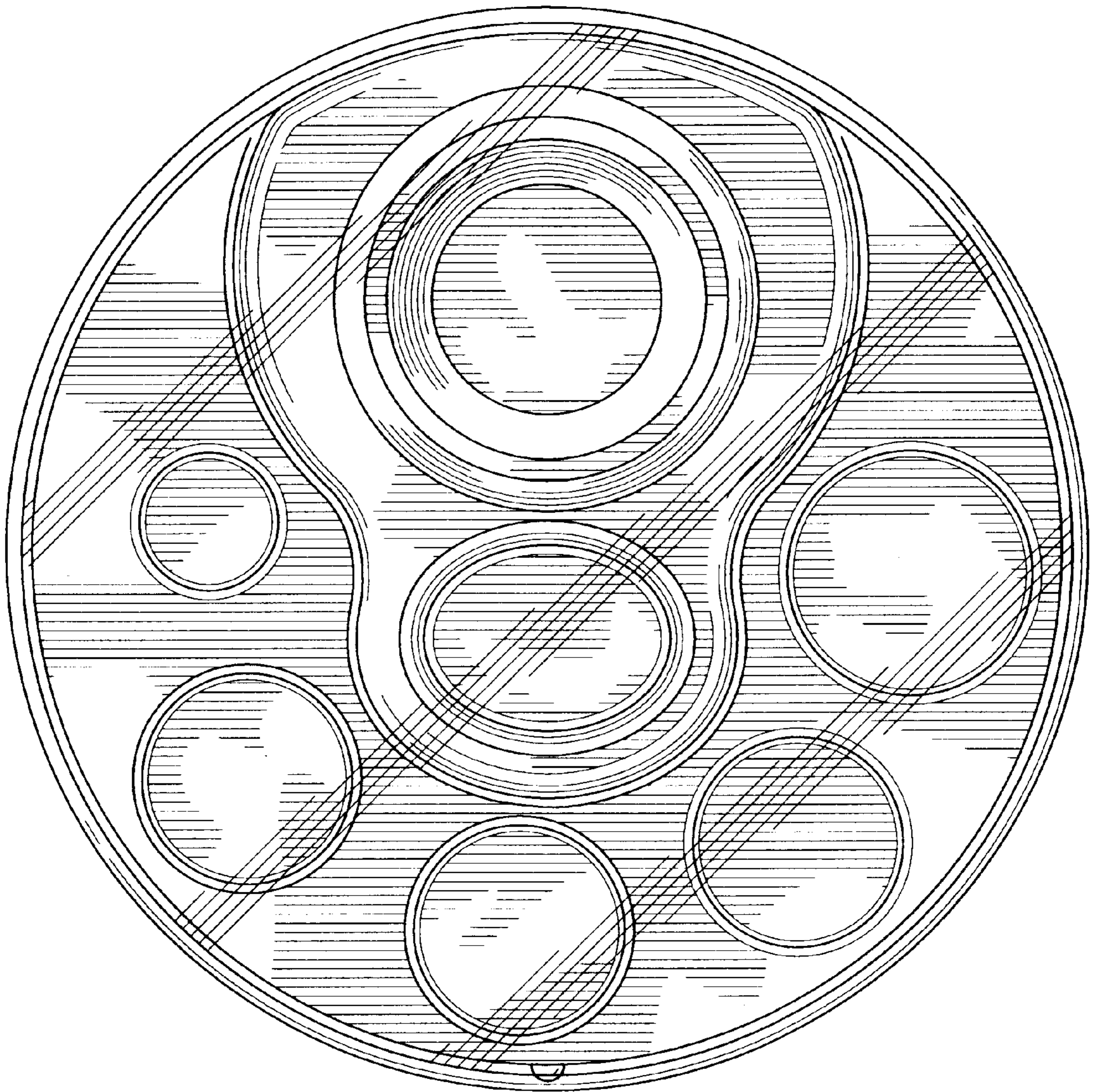
FIG. 7 is a right side elevational view thereof.

**1 Claim, 7 Drawing Sheets**

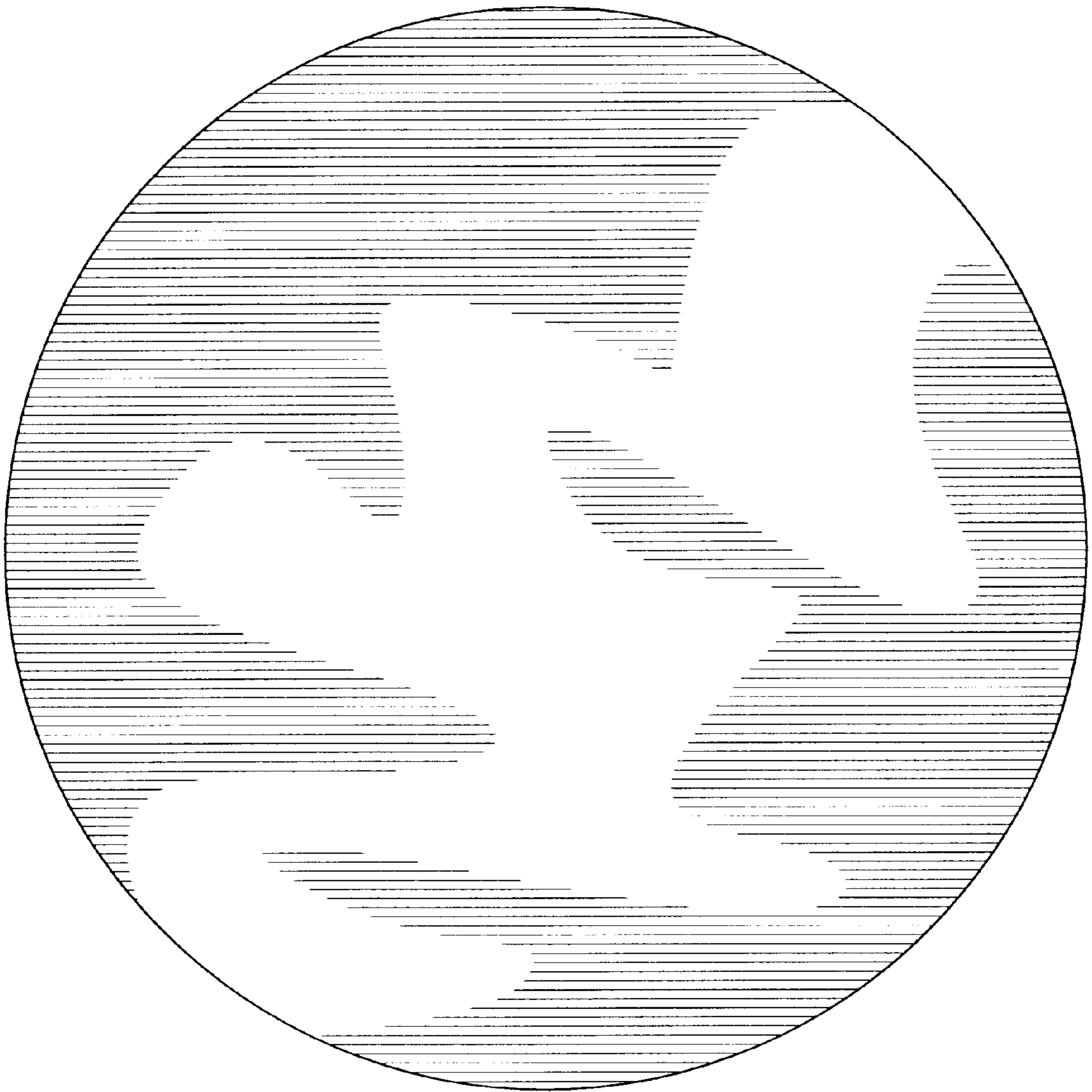




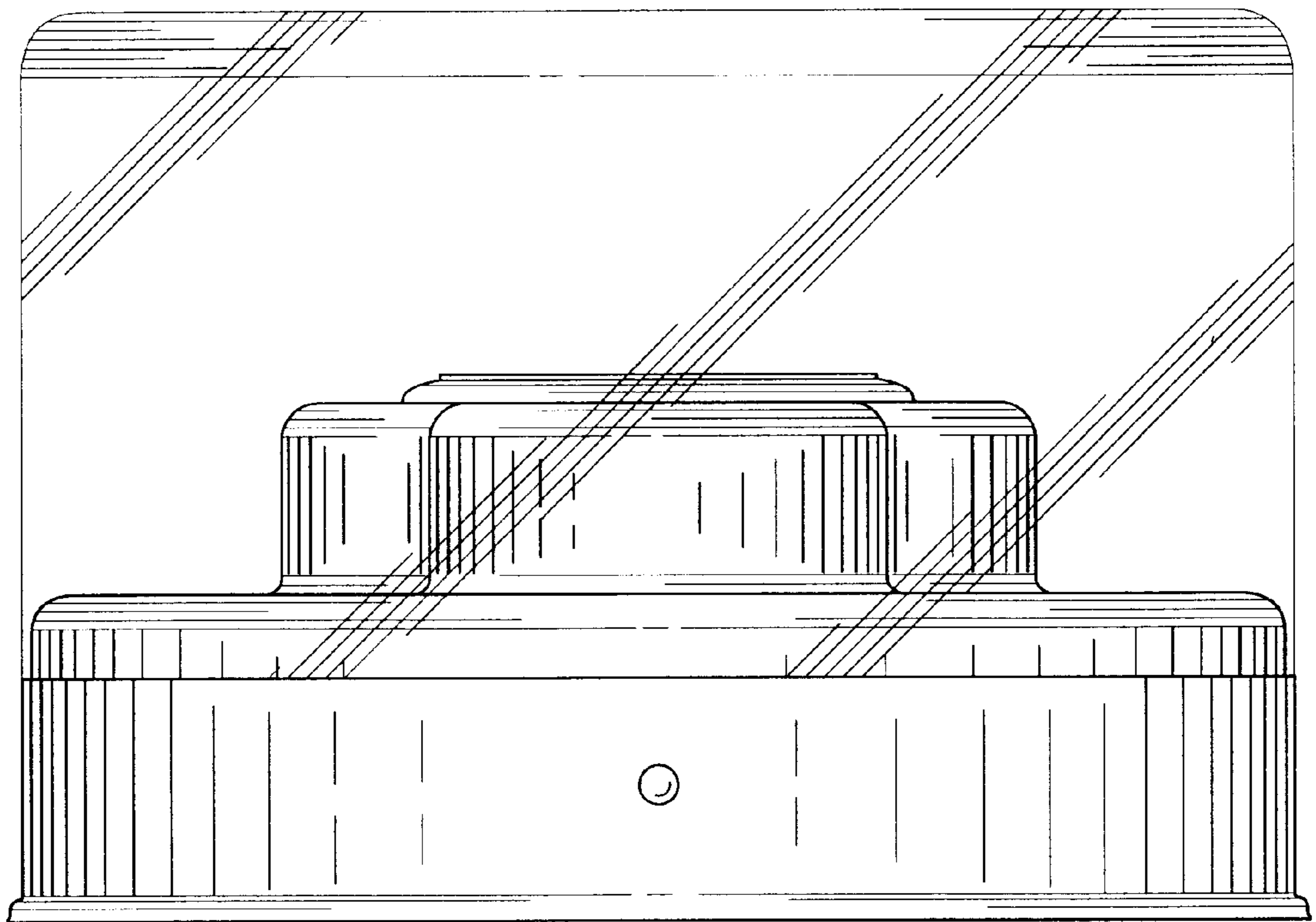
*FIG. 1.*



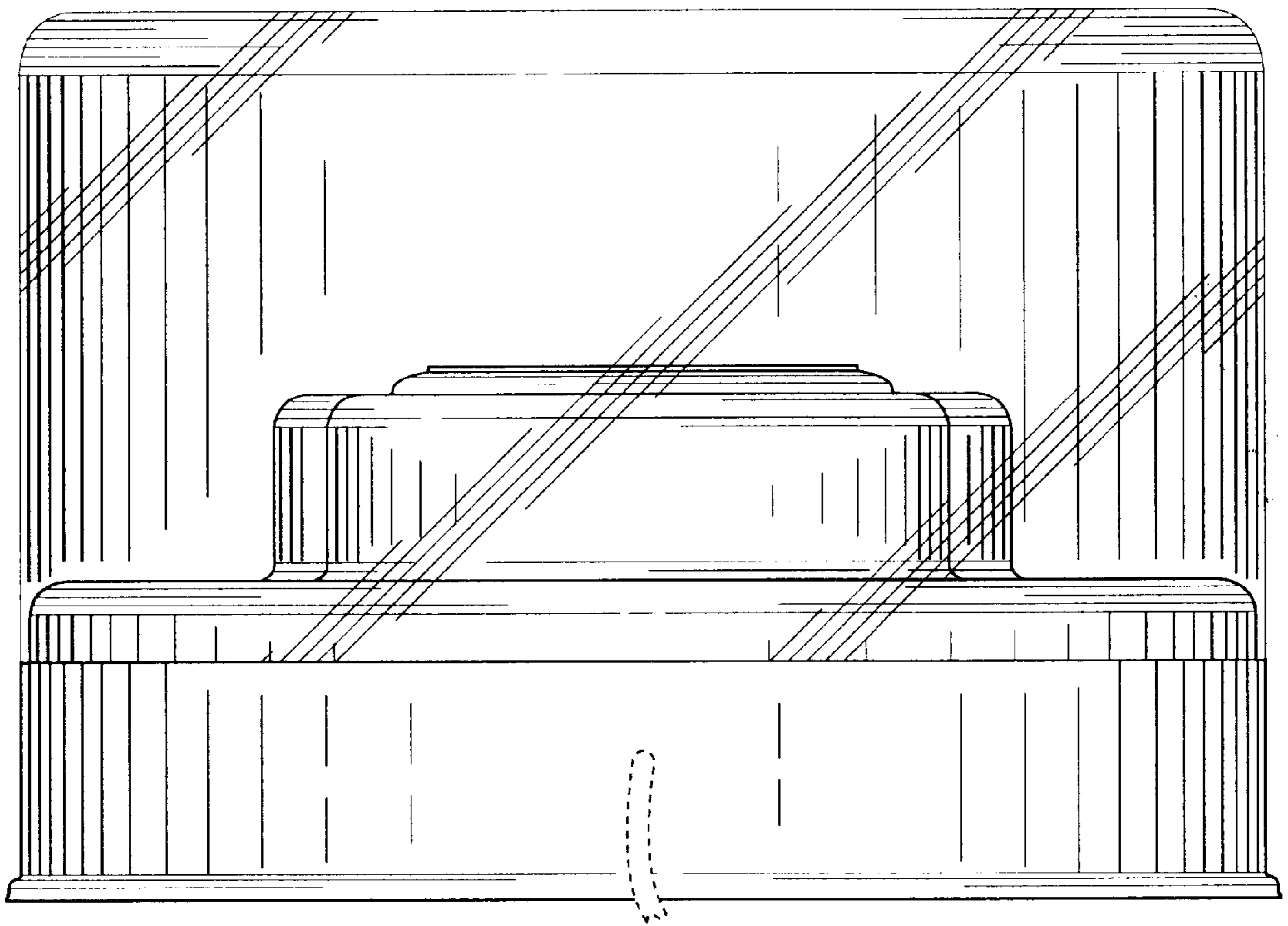
**FIG. 2.**



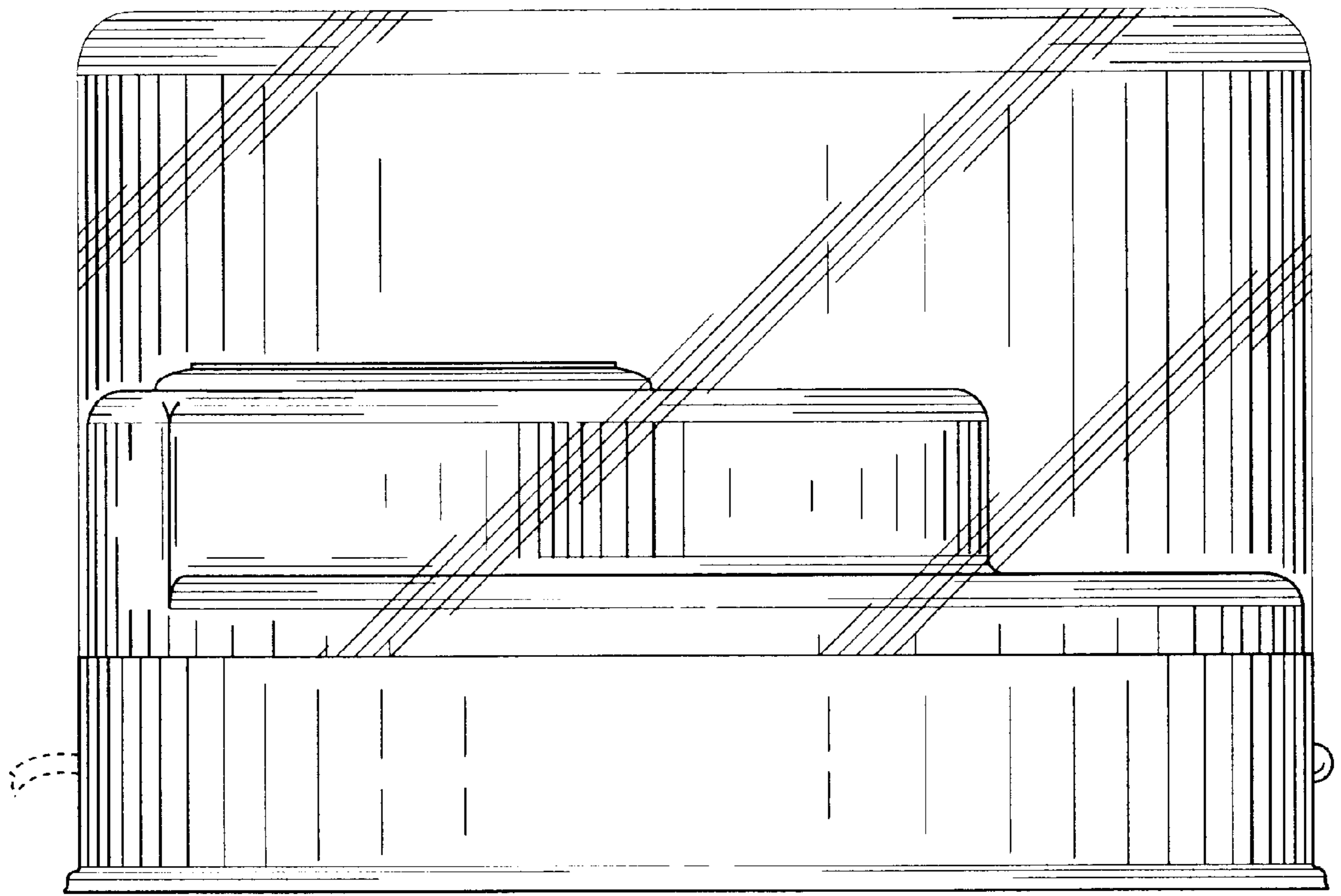
**FIG. 3.**



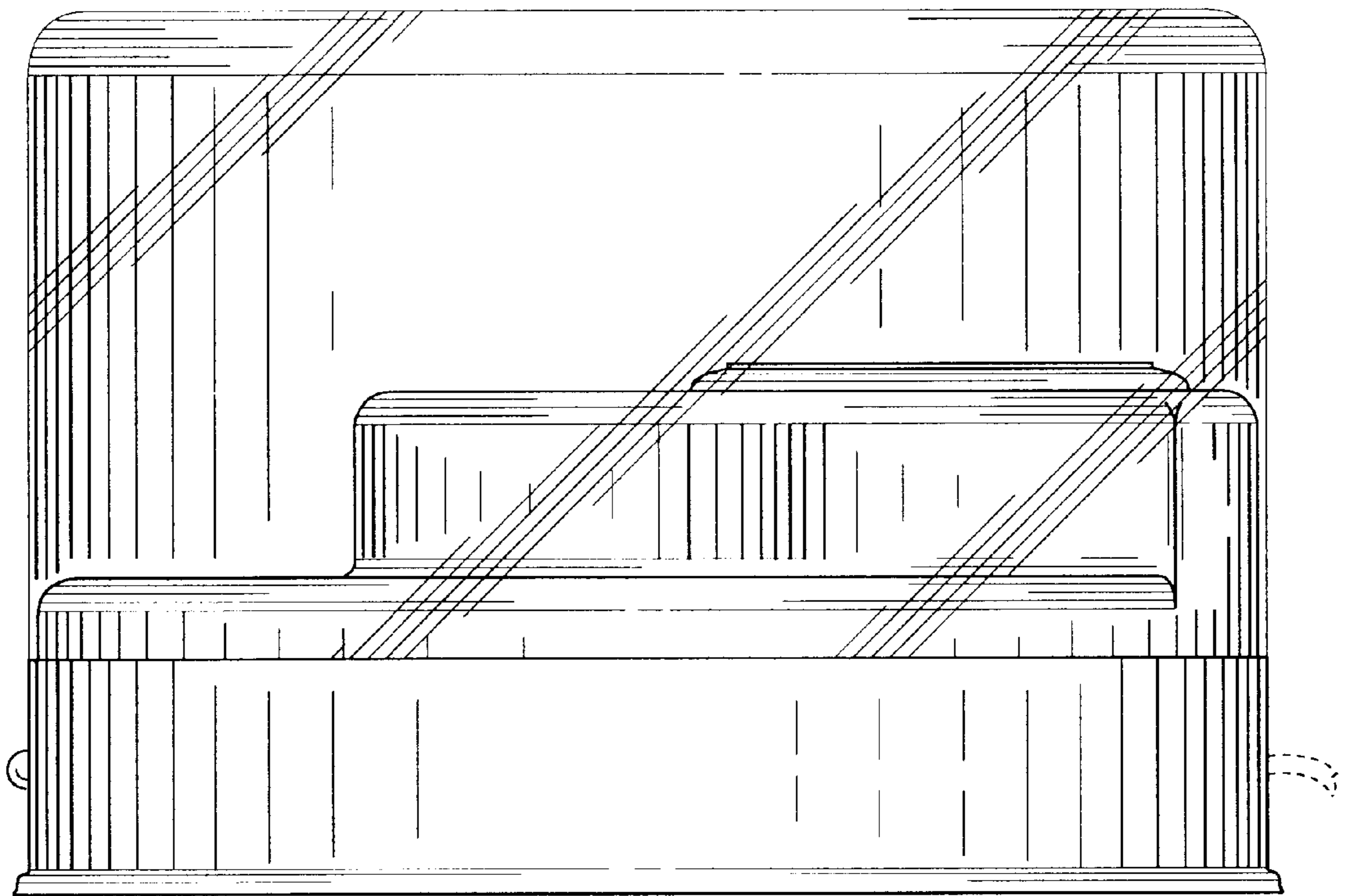
**FIG. 4.**



*FIG. 5.*



**FIG. 6.**



**FIG. 7.**