



US00D454981S

(12) **United States Design Patent**
Lamagna et al.

(10) **Patent No.:** **US D454,981 S**

(45) **Date of Patent:** **** Mar. 26, 2002**

(54) **TWEEZERS**

(75) **Inventors:** **Dal Lamagna**, Sea Cliff, NY (US);
Mario Giampaoli, Pondicherry (IN)

(73) **Assignee:** **Tweezerman Corp.**, Glen Cove, NY (US)

(**) **Term:** **14 Years**

(21) **Appl. No.:** **29/105,933**

(22) **Filed:** **Jun. 4, 1999**

(51) **LOC (7) Cl.** **28-03**

(52) **U.S. Cl.** **D28/55**

(58) **Field of Search** D28/55; D8/58,
D8/107, 395, DIG. 7; D7/666, 674, 683,
686, 642; D24/143, 148; 294/3, 99.1, 99.2;
606/205, 210; 81/6

(56) **References Cited**

U.S. PATENT DOCUMENTS

197,372	A	*	11/1877	Huffman et al.	294/99.2
718,748	A	*	1/1903	Boehm	294/99.2 X
896,338	A	*	8/1908	Tolma	606/131
2,636,500	A	*	4/1953	Schwartz	294/99.2 X
3,274,658	A	*	9/1966	Pile	294/99.1 X
D212,166	S	*	9/1968	Hill	D7/686

D272,664	S	*	2/1984	Jones	D28/55
D287,416	S	*	12/1986	Smith	D28/55
5,300,065	A	*	4/1994	Anderson	606/13
D421,668	S	*	3/2000	Frazer	D28/55

* cited by examiner

Primary Examiner—Ted Shooman

Assistant Examiner—C. Tuttle

(74) *Attorney, Agent, or Firm*—Kenyon & Kenyon

(57) **CLAIM**

The ornamental design for tweezers, as shown and described.

DESCRIPTION

FIG. 1 is a perspective view of an exemplary embodiment of tweezers according to the present invention.

FIG. 2 is a plan view thereof;

FIG. 3 is a right side view thereof;

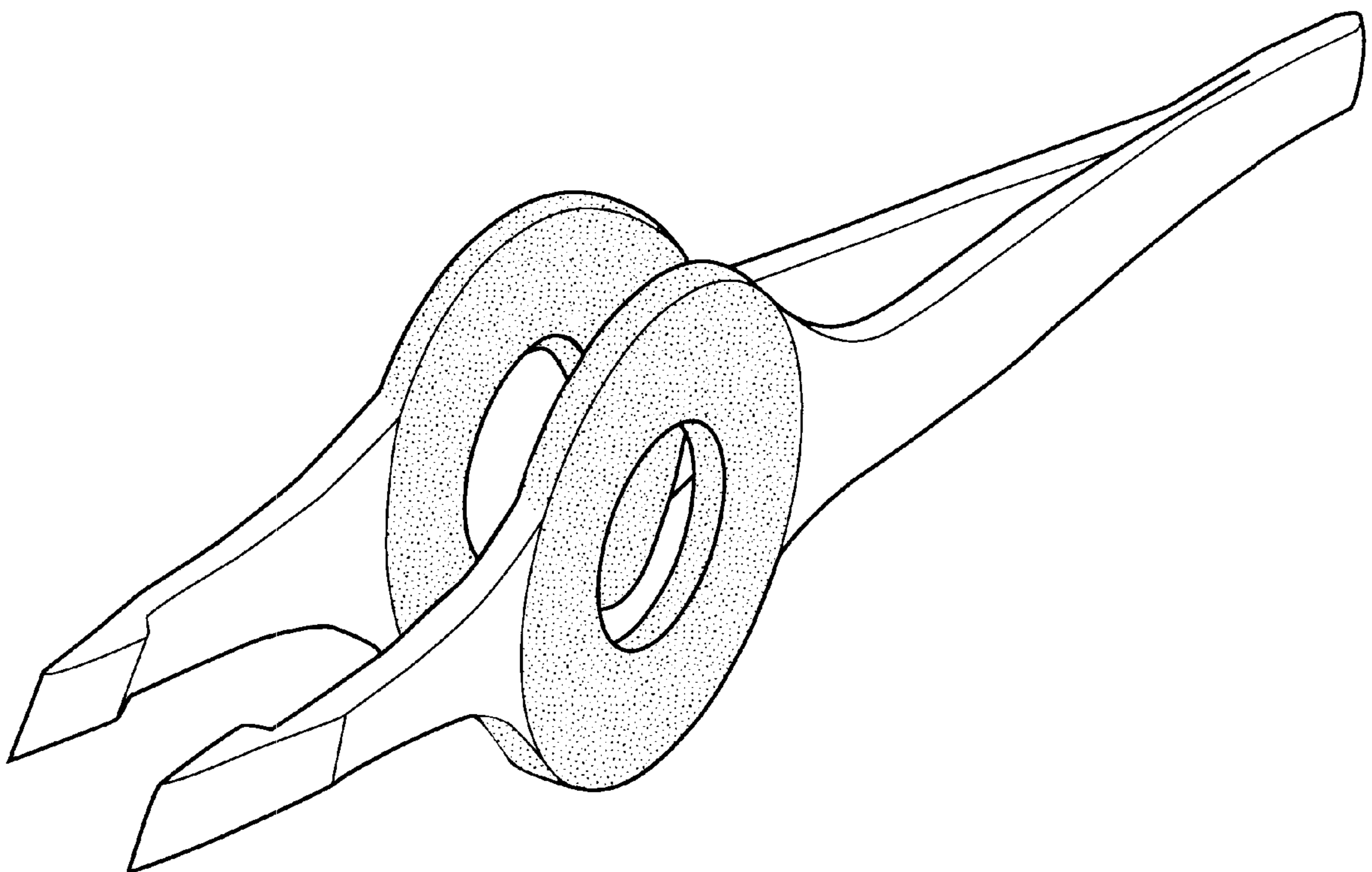
FIG. 4 is a left side view thereof;

FIG. 5 is a front view thereof; and,

FIG. 6 is a rear view thereof.

The broken lines which define the bounds of the claimed design form no part thereof. All other broken lines are for illustrative purpose only and form no part of the claimed design.

1 Claim, 2 Drawing Sheets



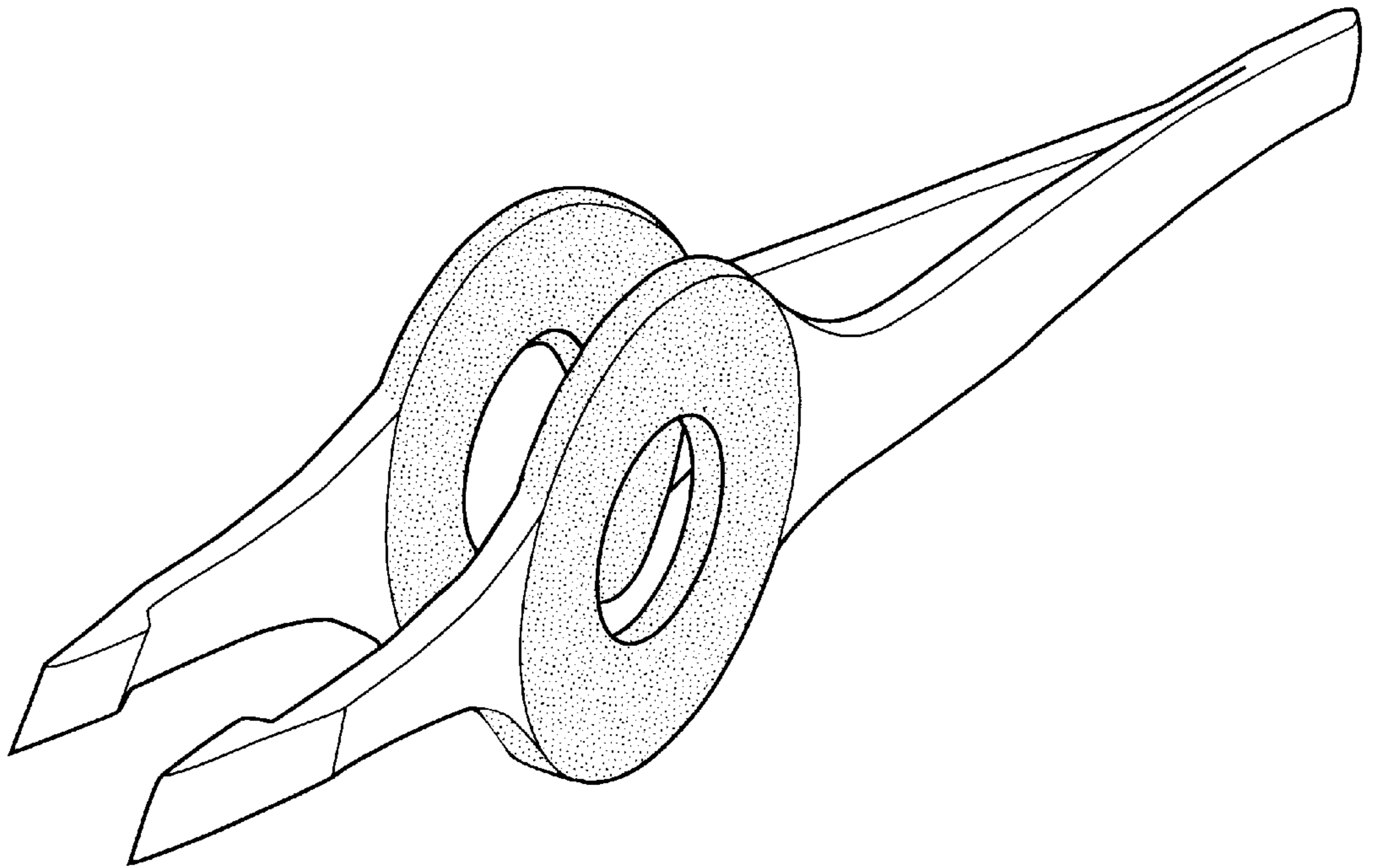


FIG. 1

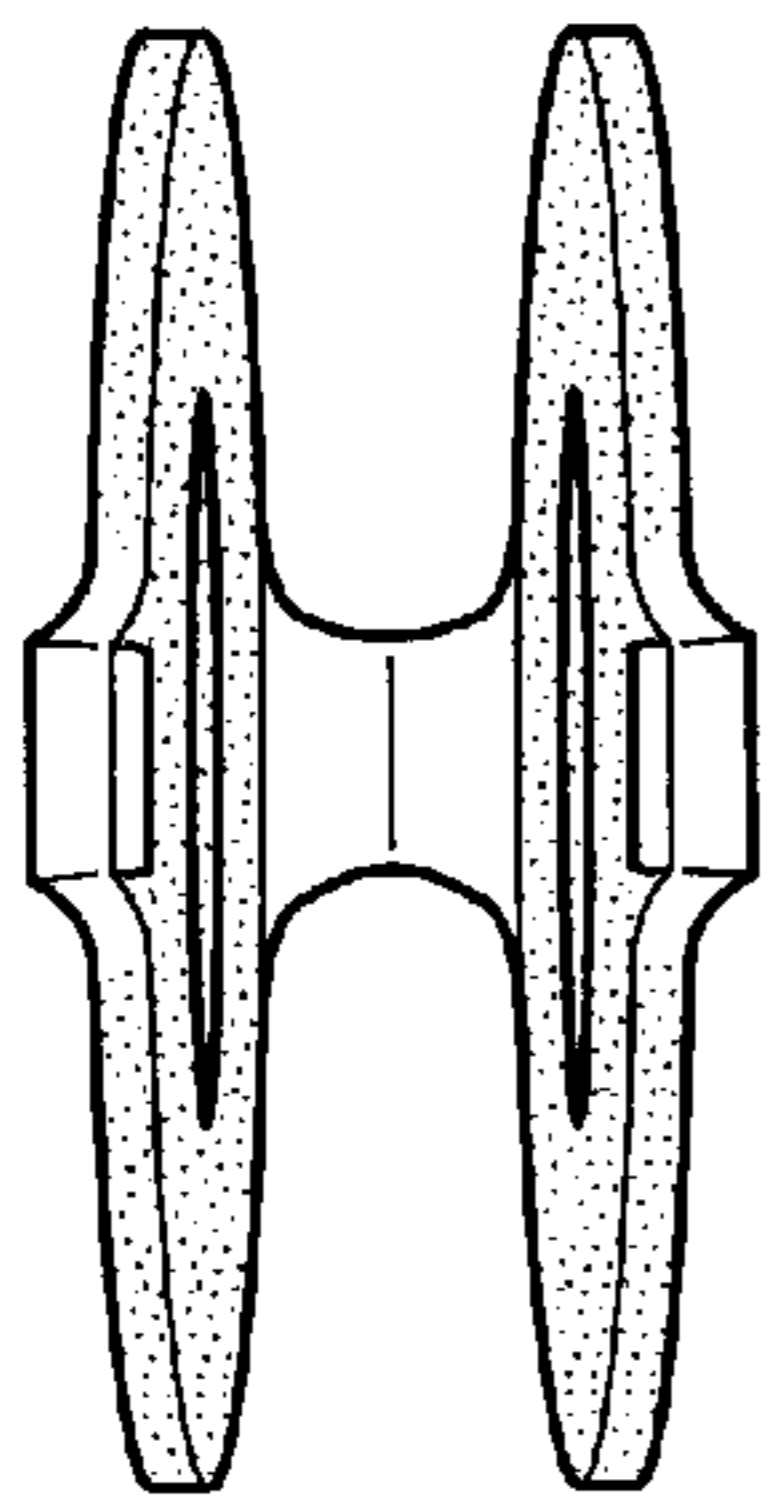


FIG. 5

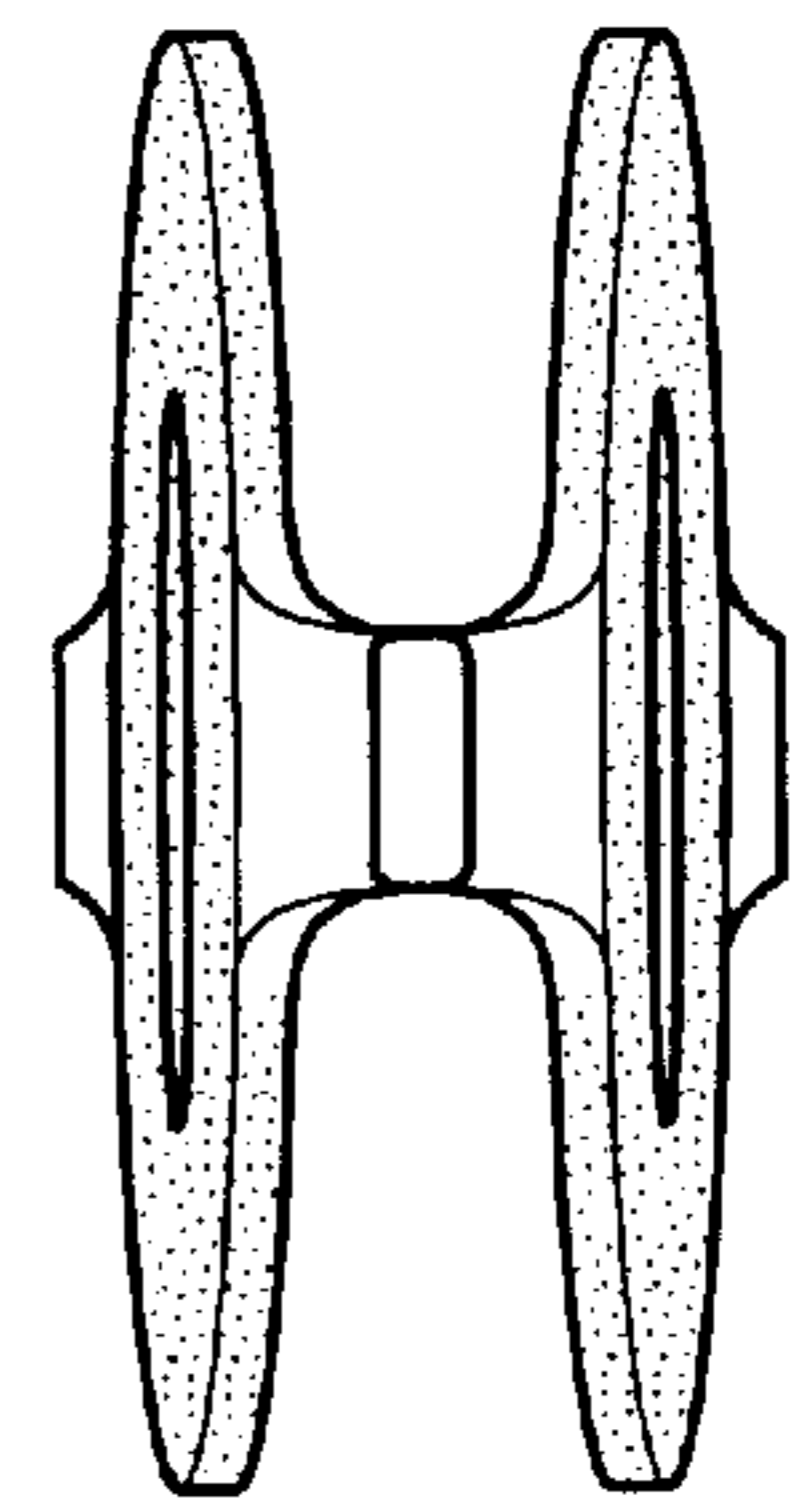


FIG. 6

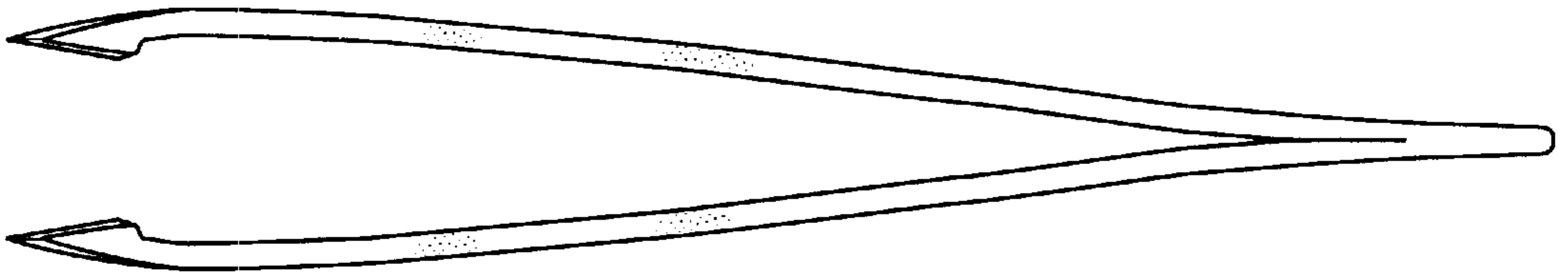


FIG. 3

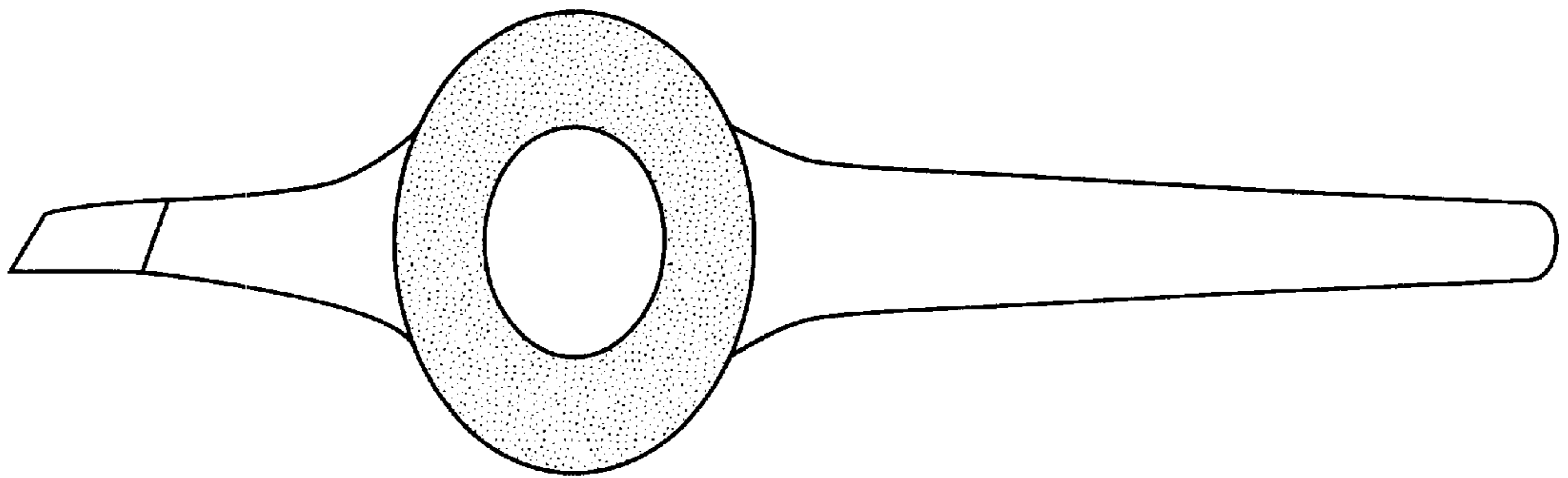


FIG. 2

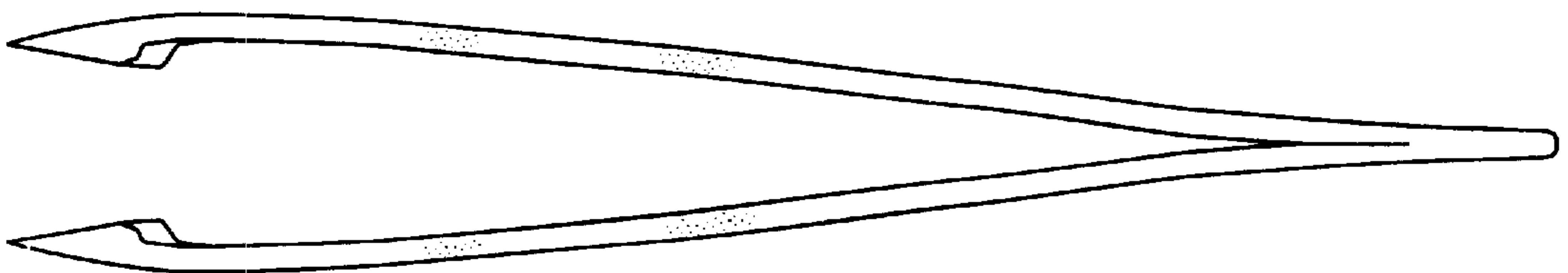


FIG. 4