



US00D454972S

(12) **United States Design Patent**
De'Armond

(10) **Patent No.:** **US D454,972 S**
(45) **Date of Patent:** **** Mar. 26, 2002**

(54) **LAMP HOUSING**

(75) **Inventor:** **Robert De'Armond**, Temecula, CA (US)

(73) **Assignee:** **Minka Lighting, Inc.**, Corona, CA (US)

(**) **Term:** **14 Years**

(21) **Appl. No.:** **29/139,216**

(22) **Filed:** **Mar. 27, 2001**

Related U.S. Application Data

(63) Continuation-in-part of application No. 29/112,531, filed on Oct. 18, 1999, now Pat. No. Des. 440,344.

(51) **LOC (7) Cl.** **26-03**

(52) **U.S. Cl.** **D26/87**

(58) **Field of Search** D26/72, 80-92,
D26/67, 68, 143, 145, 147; 362/404-408,
147, 432, 362, 363, 367, 153-155, 441

(56) **References Cited**

U.S. PATENT DOCUMENTS

- 1,156,536 A * 10/1915 Lumley
- D54,192 S * 11/1919 Yardley
- D67,334 S * 5/1925 Bell
- D73,937 S 11/1927 Lindsay D26/87
- D316,158 S 4/1991 Choi D26/87
- D394,325 S 5/1998 Hsu D26/87
- D440,344 S * 4/2001 De'Armond D26/87
- D447,263 S * 8/2001 Hidalgo D26/72

OTHER PUBLICATIONS

- U.S. application No. 29/139,303, Robert De'Armond.
- U.S. application No. 29/139,218, Robert De'Armond.
- U.S. application No. 29/139,302, Robert De'Armond.

Minka Lighting, Inc.; The Great Outdoors by Minka-Lavery Two Thousand; Jun. 21, 2000; pp. 20-21; Minka Lighting, Inc., U.S.A.

Home Lighting & Accessories, Savant lantern at top left of p. 68, Apr. 1997.

Taiwan Lighting, lamps on p. 164, Nov. 1996.

Minka Lighting, Inc.; The Great Outdoors: Collection of Outdoor Lighting, Minka Lavery; Jan. 29, 1999; pp. 10, 11, 36, 37; ML 99-2-ON; Minka Lighting, Inc., U.S.A.

Minka Lighting, Inc.; Minka Lavery: A Treasury of American Home Lighting; Apr. 20, 1995; p. 174; ML 95-1; Minka Lighting, Inc., U.S.A.

* cited by examiner

Primary Examiner—Alan P. Douglas

Assistant Examiner—Clare E. Heflin

(74) *Attorney, Agent, or Firm*—Jenkins & Gilchrist, P.C.

(57) **CLAIM**

The ornamental design for the lamp housing, as shown and described.

DESCRIPTION

FIG. 1 is a side elevation view of the lamp housing in accordance with my design;

FIG. 2 is a front elevation view of the lamp housing in accordance with my design;

FIG. 3 is a rear elevation view of the lamp housing in accordance with my design;

FIG. 4 is a top plan view of the lamp housing in accordance with my design; and,

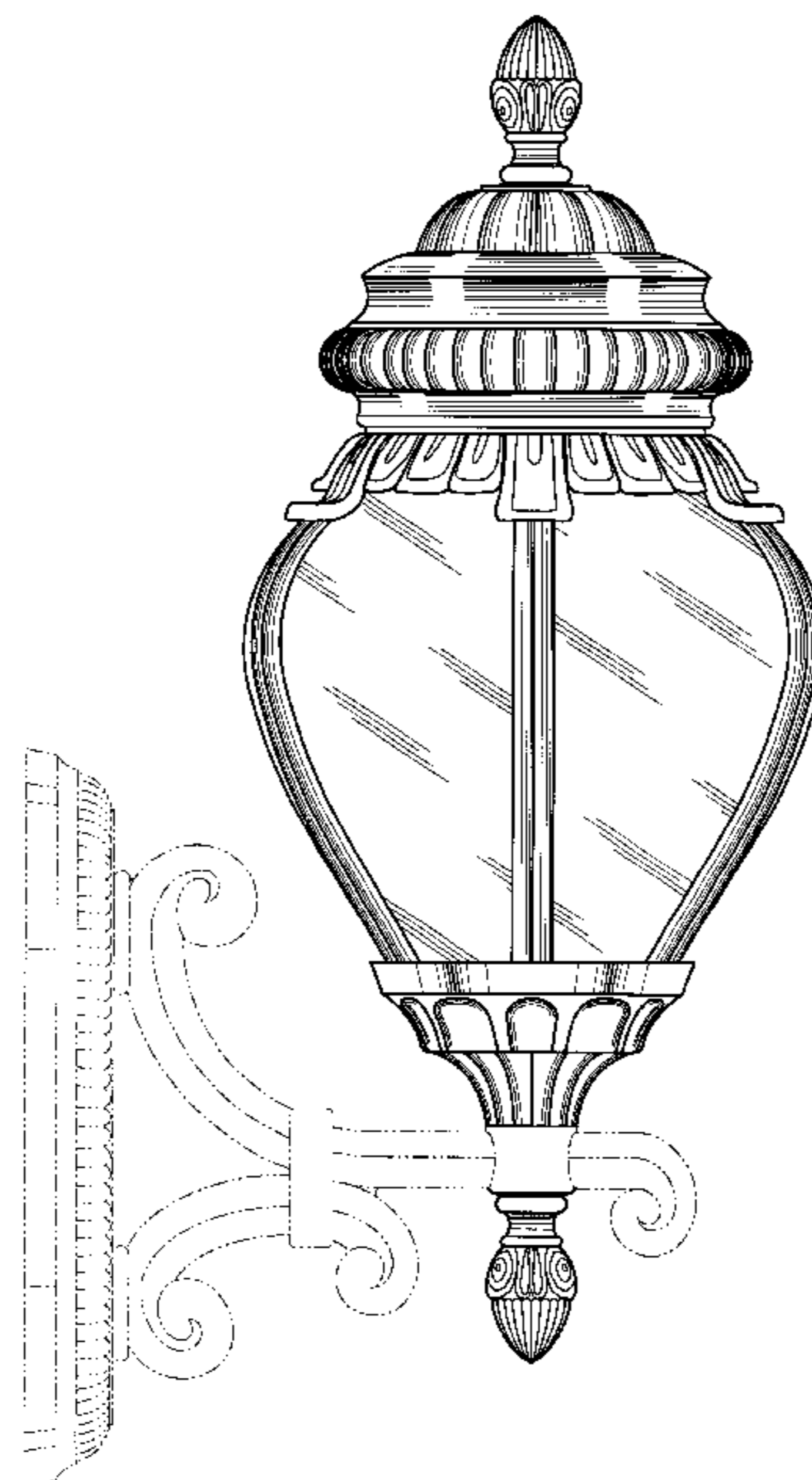
FIG. 5 is a bottom plan view of the lamp housing in accordance with my design.

The left and right elevational views are symmetrical.

The light globe of the present invention is translucent.

The broken lines illustrating the environment of the present invention are for illustrative purposes only and form no part of the claimed design.

1 Claim, 4 Drawing Sheets



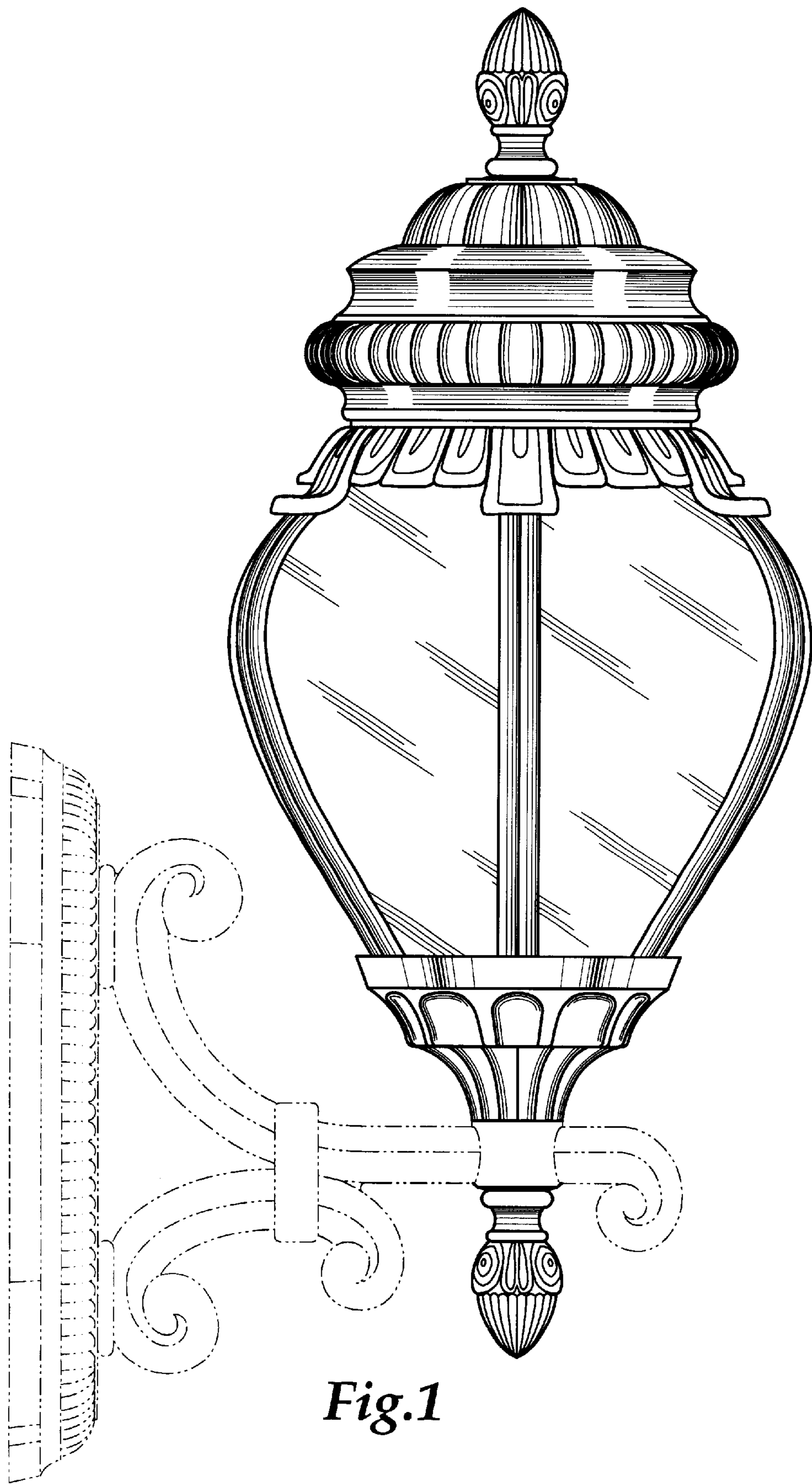


Fig.1

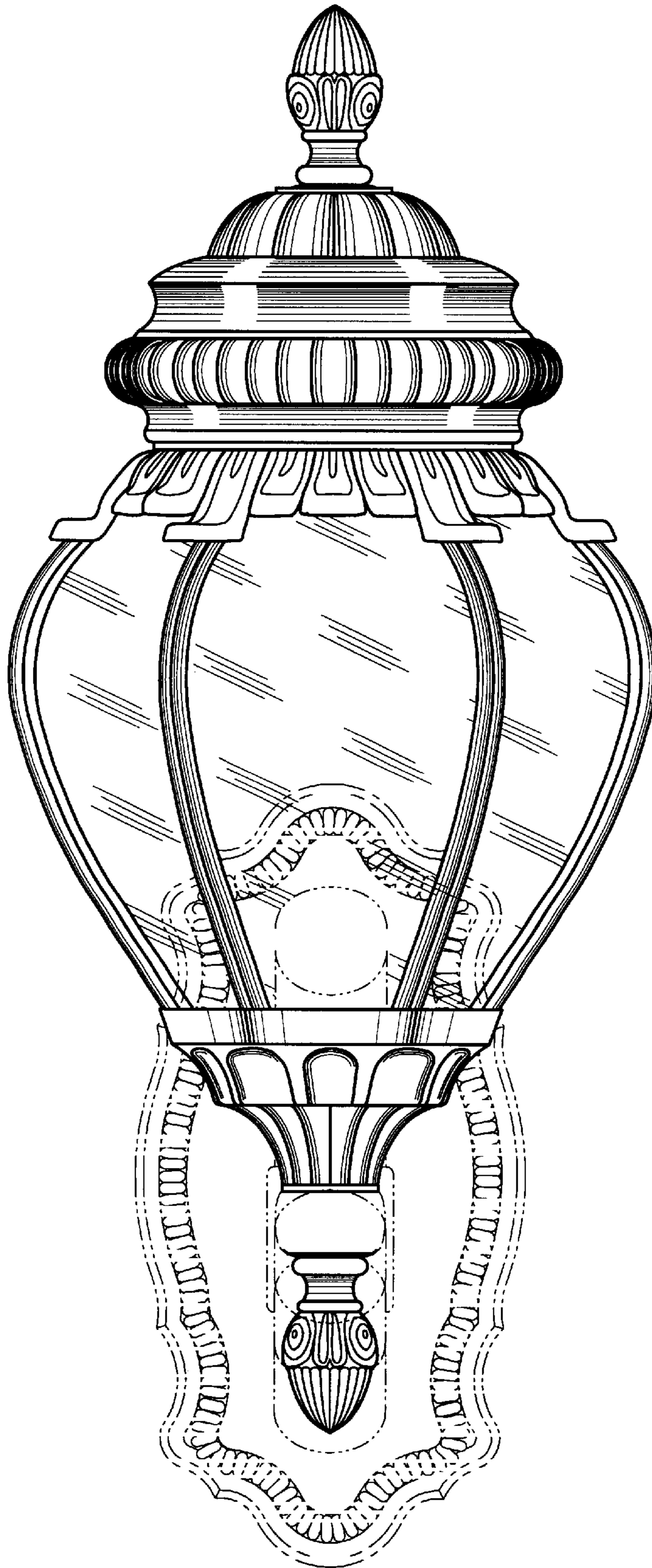


Fig. 2

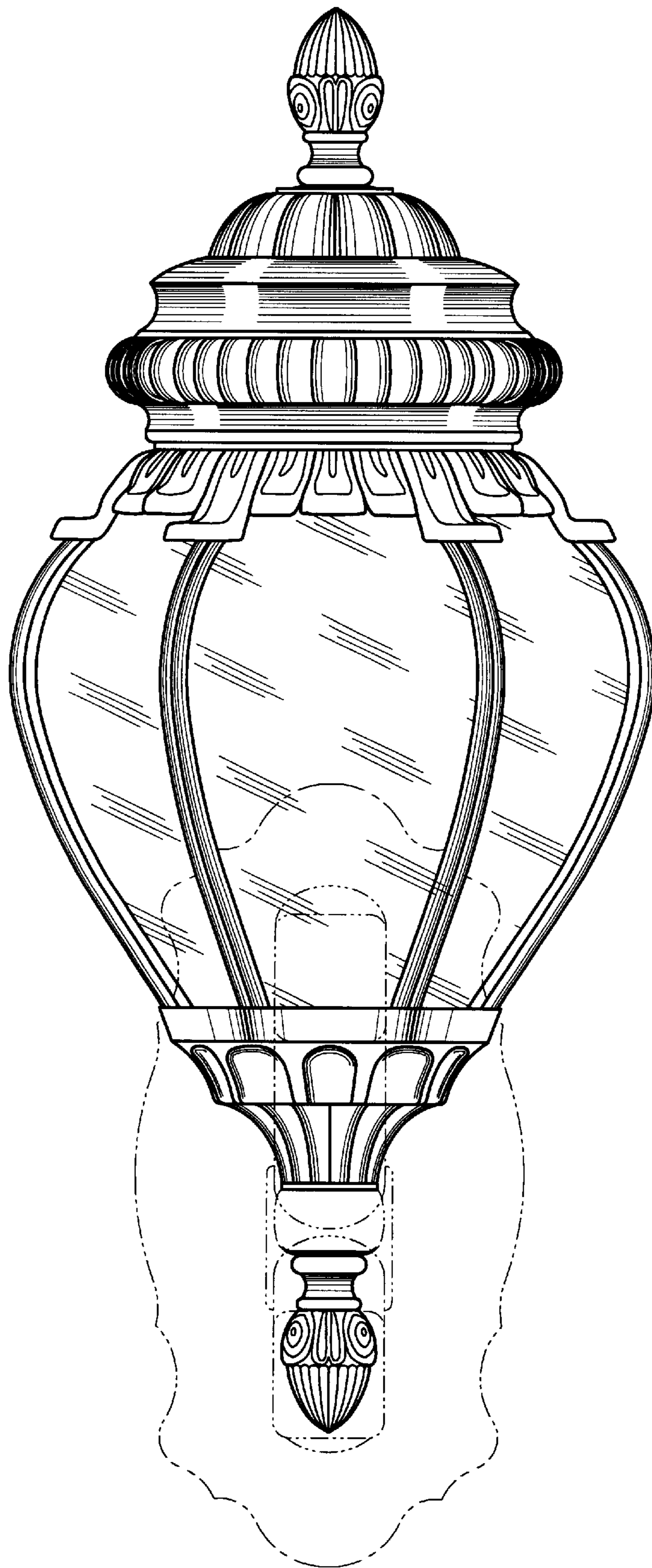


Fig.3

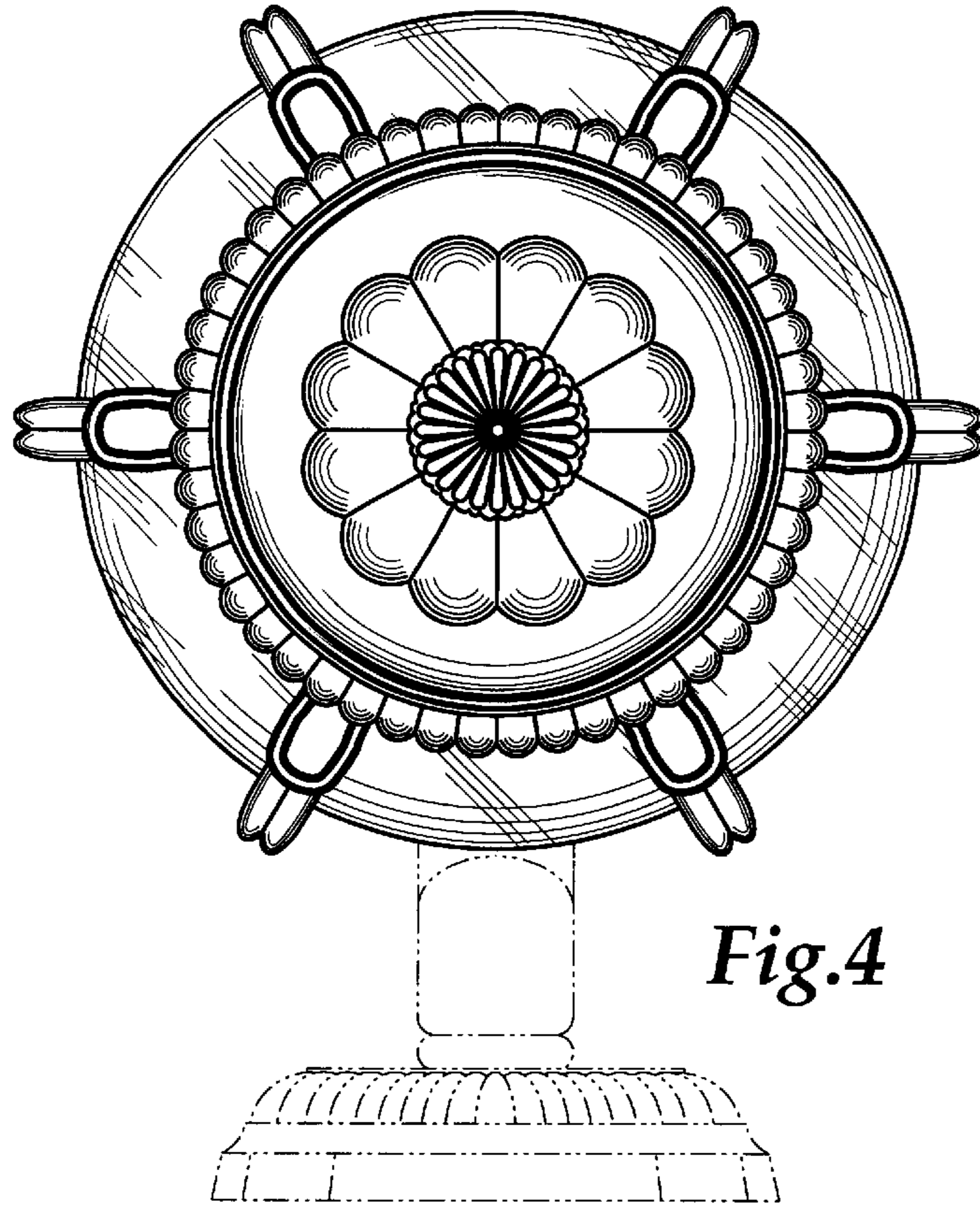


Fig.4

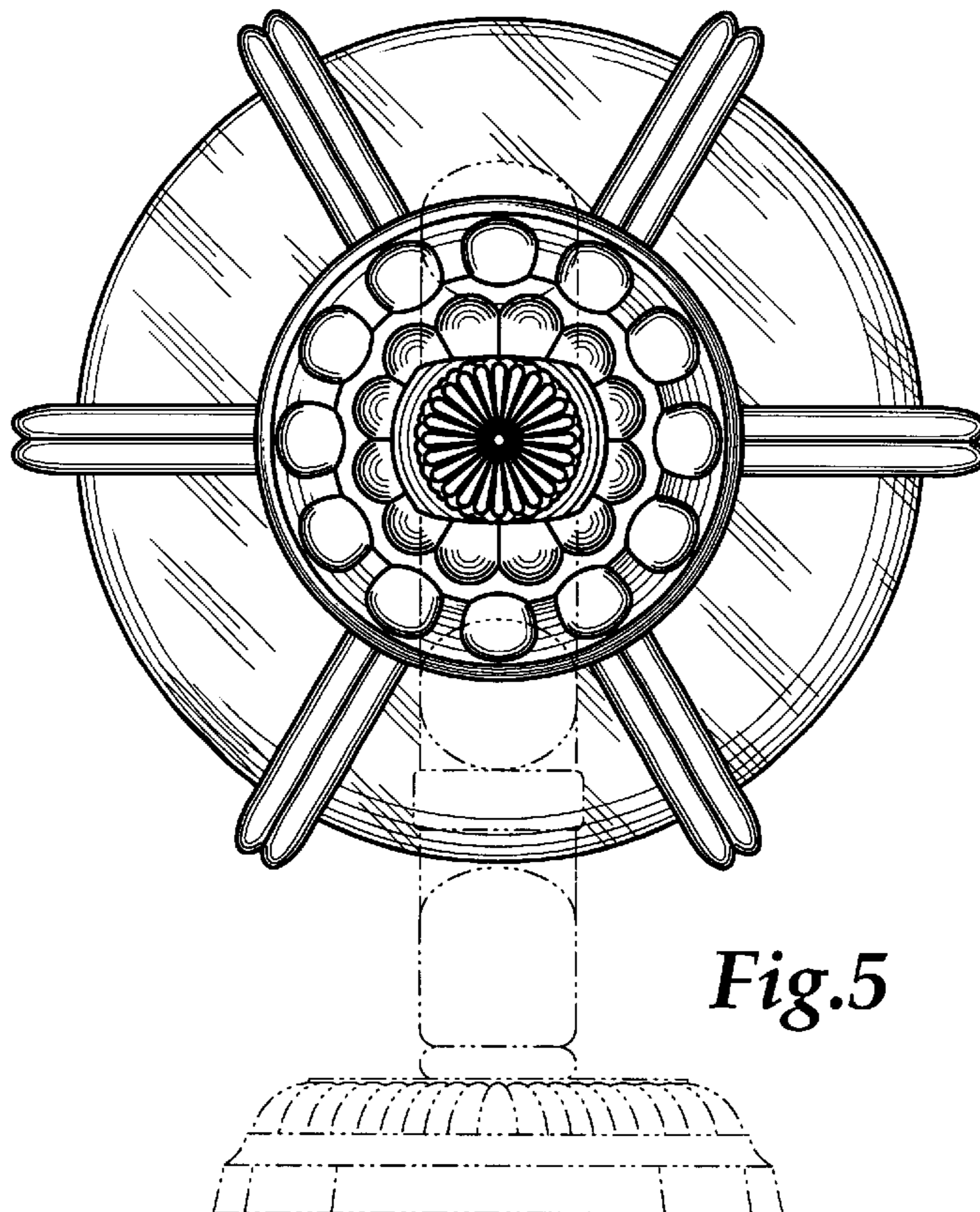


Fig.5