



US00D454970S

(12) **United States Design Patent**  
**Straus et al.**

(10) **Patent No.:** **US D454,970 S**  
(45) **Date of Patent:** **\*\* Mar. 26, 2002**

(54) **OUTDOOR LIGHTING FIXTURE**

D370,288 S 5/1996 Tognu  
D376,666 S 12/1996 Shalvi  
D385,374 S 10/1997 Shalvi

(75) Inventors: **Joseph Straus; Angel Orellana**, both of Sun Valley, CA (US); **Chris Liakakos; Jeffrey Reinke**, both of Chicago, IL (US)

**OTHER PUBLICATIONS**

Johns-Manville catalog, Holophane® Caribe™ Luminaires, exterior lighting fixtures on p. 7, published Apr., 1980. Taiwan Lighting, outdoor lamp at lower left corner of p. 220, published May, 1996.

(73) Assignee: **Northwestern Memorial Corporation**, Chicago, IL (US)

(\*\*) Term: **14 Years**

*Primary Examiner*—Alan P. Douglas  
*Assistant Examiner*—Linda Brooks

(21) Appl. No.: **29/141,899**

(74) *Attorney, Agent, or Firm*—Lee, Mann, Smith, McWilliams, Sweeney and Ohlson

(22) Filed: **May 14, 2001**

**Related U.S. Application Data**

(57) **CLAIM**

(62) Division of application No. 29/112,514, filed on Oct. 18, 1999, now Pat. No. Des. 446,593, which is a continuation of application No. 29/102,578, filed on Mar. 26, 1999, now abandoned.

The ornamental design for an outdoor lighting fixture, as shown and described.

- (51) **LOC (7) Cl.** ..... **26-05**
- (52) **U.S. Cl.** ..... **D26/68**
- (58) **Field of Search** ..... D26/67-71, 93, D26/102-112; 362/153, 153.1, 410-414, 431

**DESCRIPTION**

FIG. 1 is a front elevation view of the design, a rear elevation view being the mirror image thereof; FIG. 2 is a left side elevation view thereof; FIG. 3 is a right side elevation view thereof; and, FIG. 4 is a top plan view thereof.

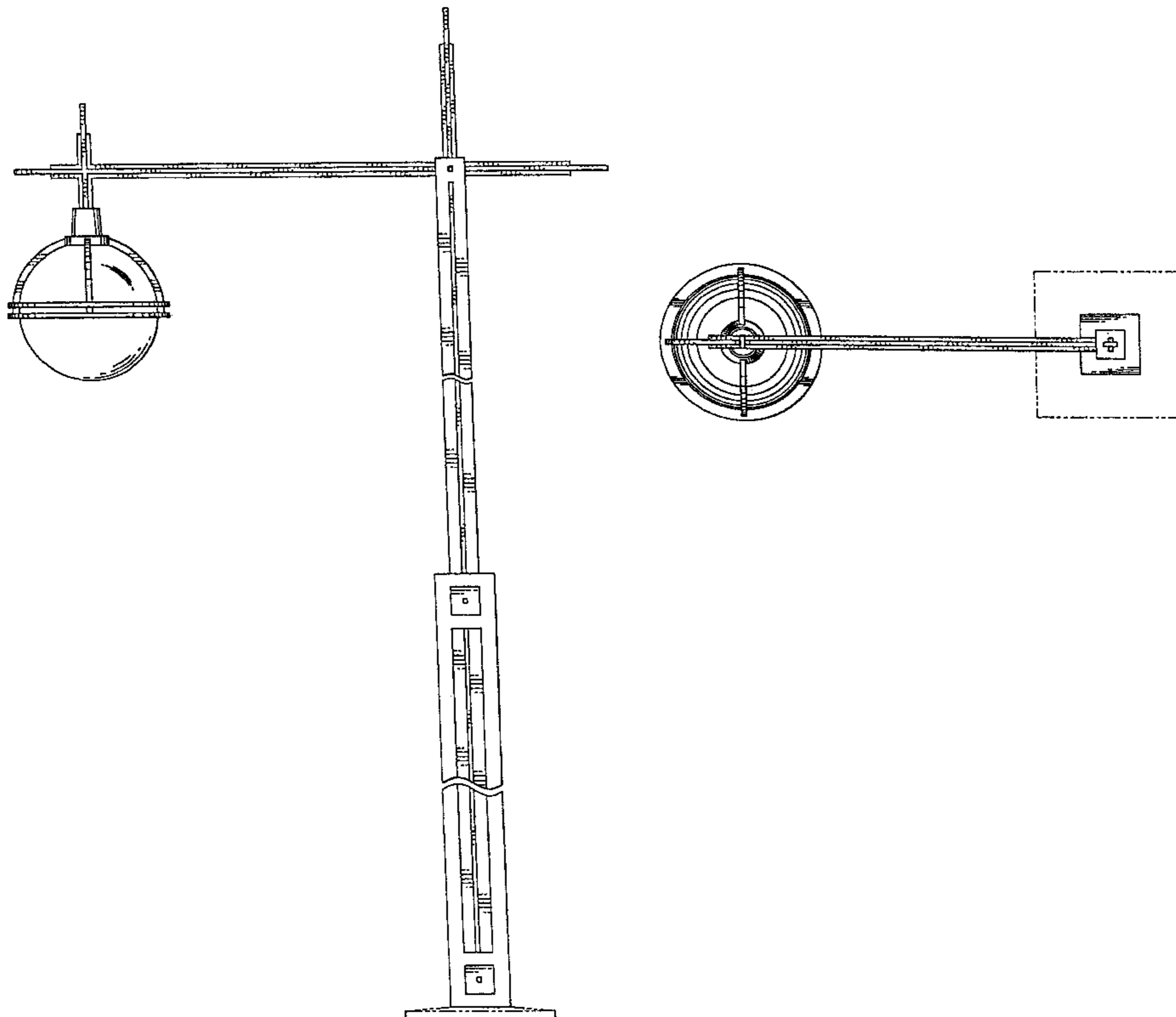
The broken lines shown are for illustrative purposes only and form no part of the claimed design. The outdoor lighting fixture is shown broken away in FIGS. 5-7 to indicate indeterminate height.

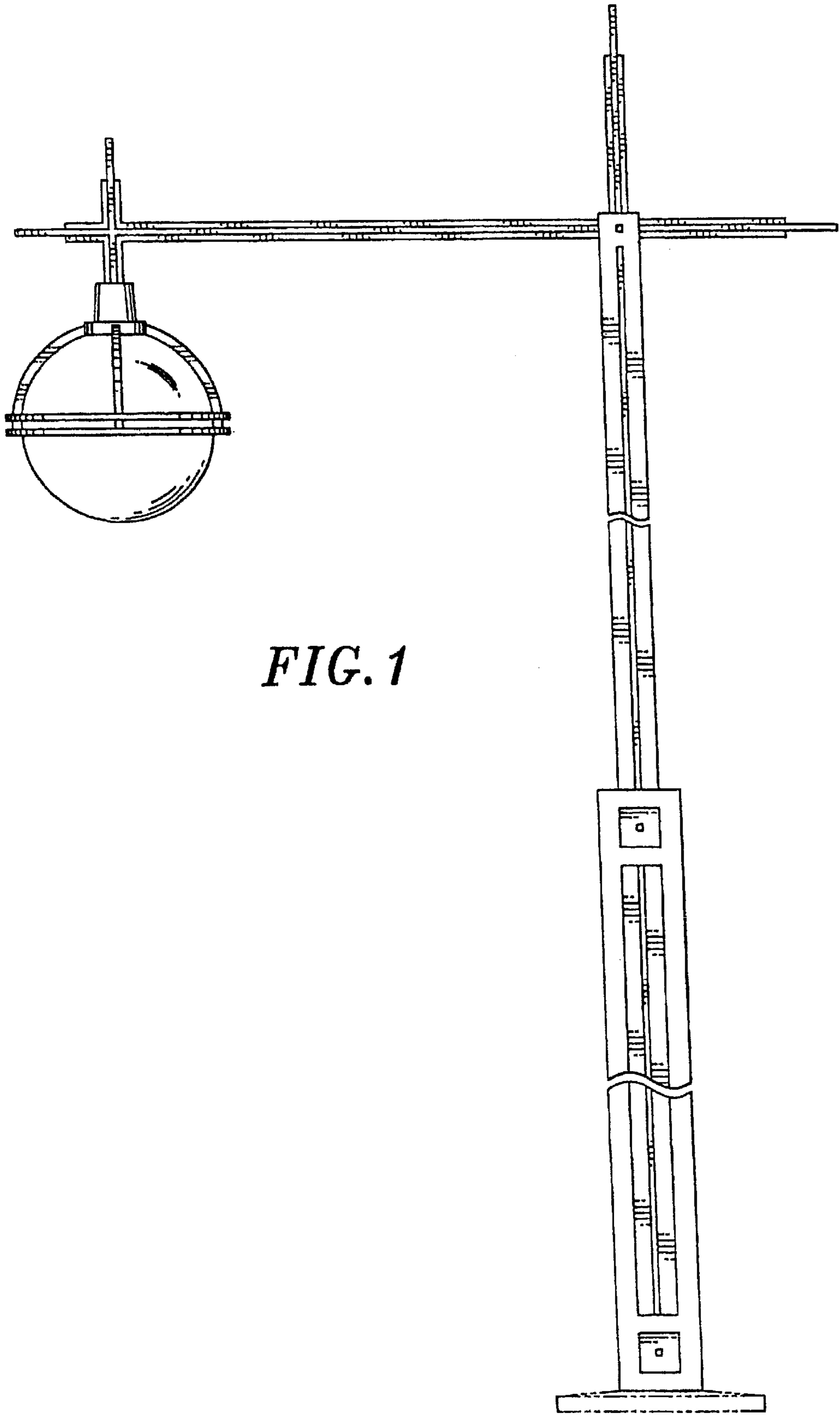
(56) **References Cited**

**U.S. PATENT DOCUMENTS**

- D205,719 S 9/1966 Pettengill
- D222,810 S 1/1972 Husby

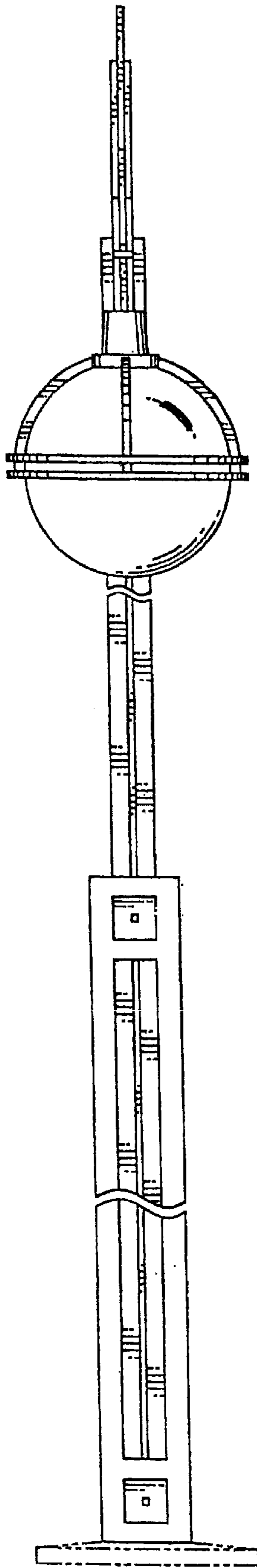
**1 Claim, 4 Drawing Sheets**



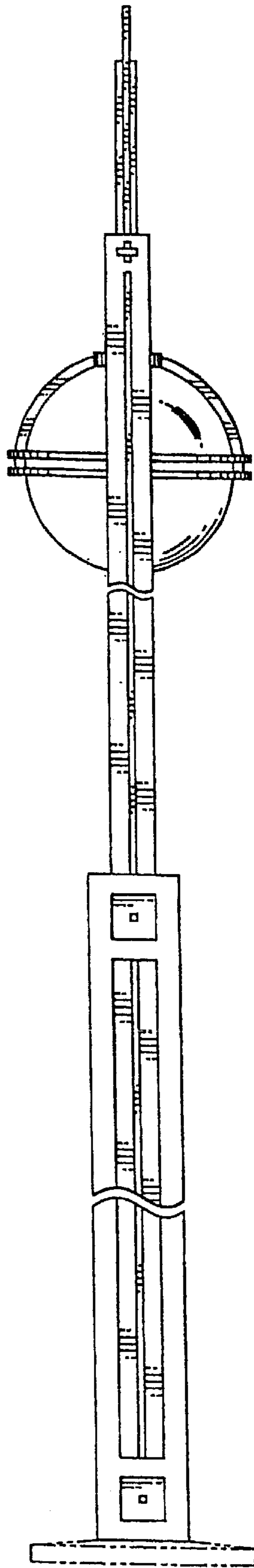


*FIG. 1*

*FIG. 2*



*FIG. 3*



*FIG. 4*

