



US00D454968S

(12) **United States Design Patent**
Dair et al.

(10) **Patent No.:** **US D454,968 S**

(45) **Date of Patent:** **** Mar. 26, 2002**

(54) **FLASHLIGHT**

(75) Inventors: **Thomas M. Dair**, Yorktown Heights;
Goeran Jerstrom, New York; **Marco**
Carroll Perry, Brooklyn; **Steven Hunt**
Vordenberg; **Maximillian Philip**
Burton, both of New York, all of NY
(US)

(73) Assignee: **The Gillette Company**

(**) Term: **14 Years**

(21) Appl. No.: **29/136,957**

(22) Filed: **Feb. 6, 2001**

(51) **LOC (7) Cl.** **26-02**

(52) **U.S. Cl.** **D26/49**

(58) **Field of Search** D26/37-50; 362/157,
362/162, 171, 178, 187, 188, 189, 190,
191, 194, 195, 196, 197, 198, 199, 200,
201, 202, 203, 204, 205, 206

(56) **References Cited**

U.S. PATENT DOCUMENTS

D369,422 S * 4/1996 Dalton D26/46

D417,921 S * 12/1999 Dalton D26/49

* cited by examiner

Primary Examiner—Susan J. Lucas

(74) *Attorney, Agent, or Firm*—Barry D. Josephs; Thomas
G. Krivulka; Paul I. Douglas

(57) **CLAIM**

The ornamental design for the flashlight, as shown and
described.

DESCRIPTION

FIG. 1 is a top perspective view of the flashlight of the
invention;

FIG. 2 is a top plan view;

FIG. 3 is a right side elevation view; the opposite side being
a mirror image;

FIG. 4 is a bottom plan view;

FIG. 5 is a front end view;

FIG. 6 is back end view;

FIG. 7 is a top perspective view of second embodiment of
the flashlight of the invention;

FIG. 8 is a top plan view;

FIG. 9 is a right side elevation view; the opposite side being
a mirror image;

FIG. 10 is a bottom plan view;

FIG. 11 is a front end view; and,

FIG. 12 is back end view.

The broken line disclosure of unclaimed environmental
structure shown in the drawings is for illustrative purposes
only and does not constitute a part of the claimed design.

1 Claim, 6 Drawing Sheets

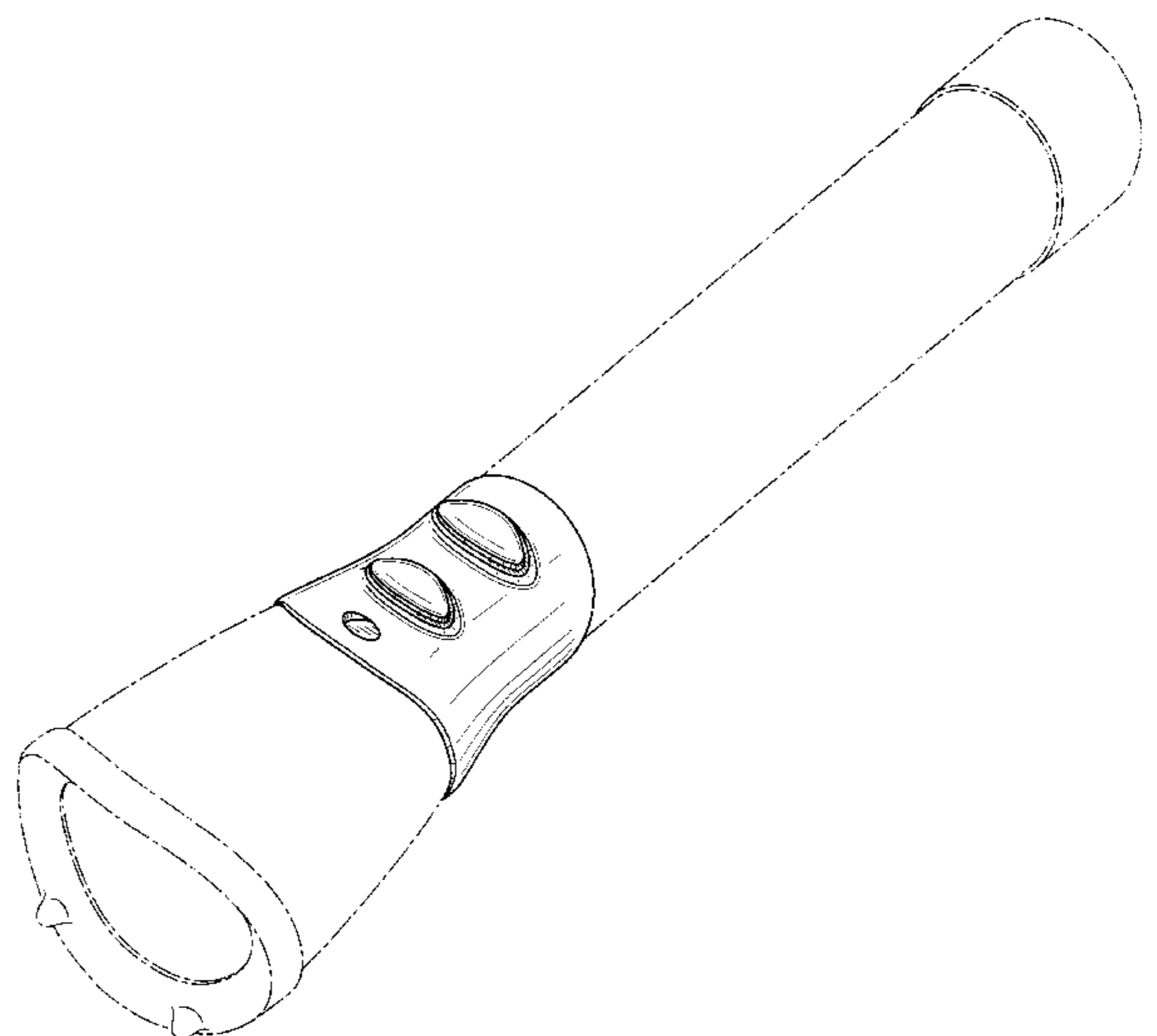
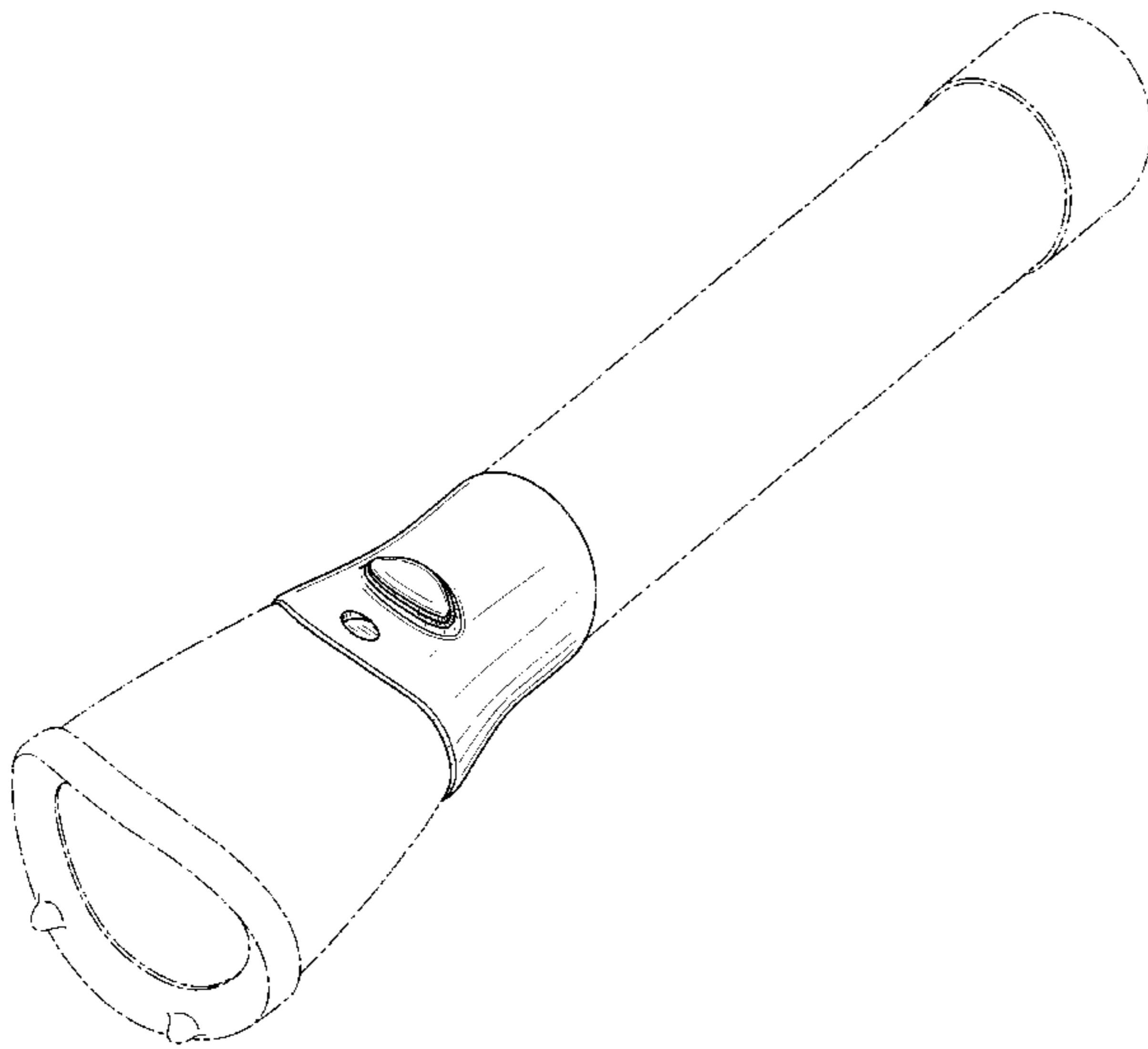


FIG. 1

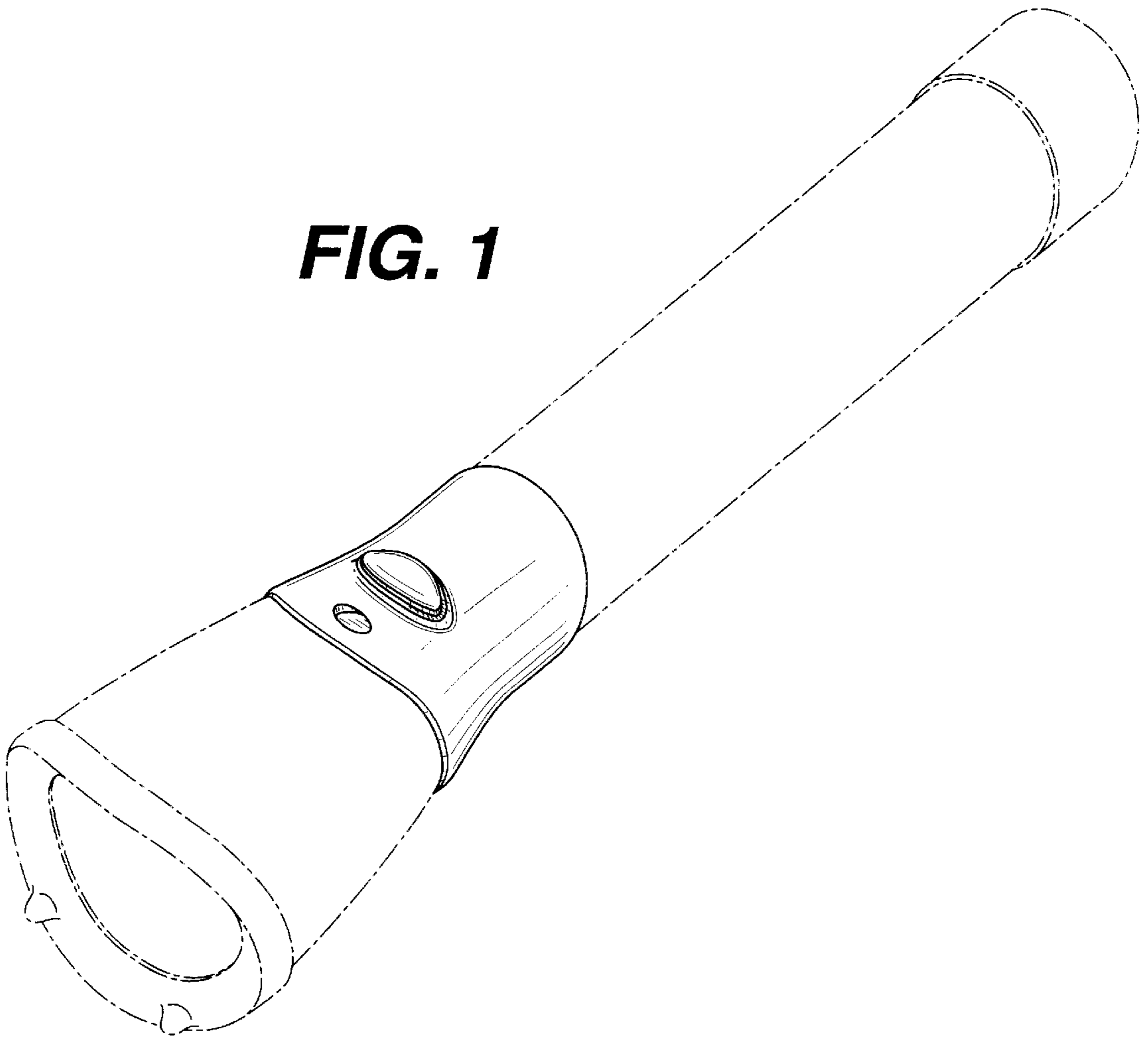


FIG. 2

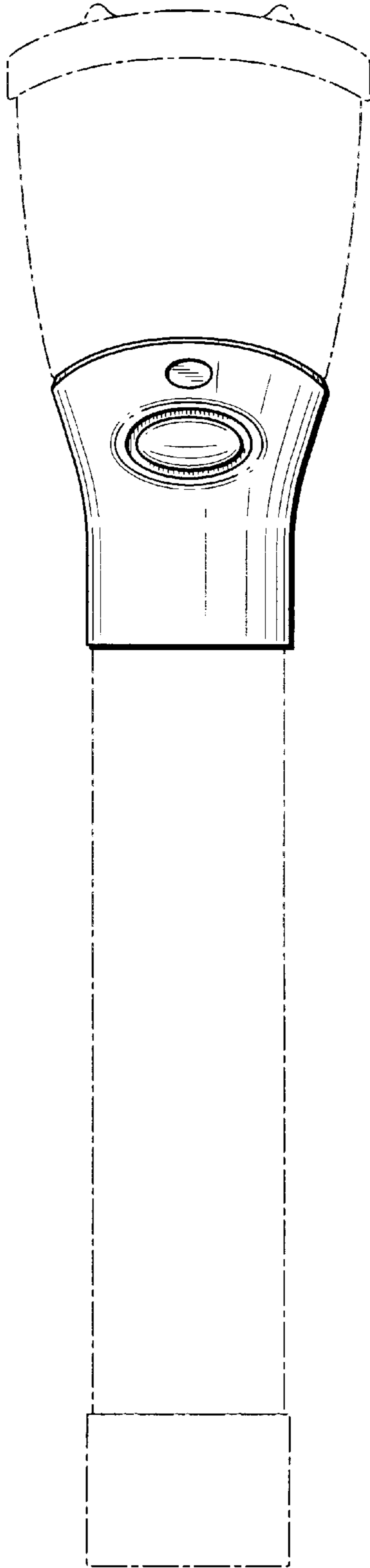


FIG. 3

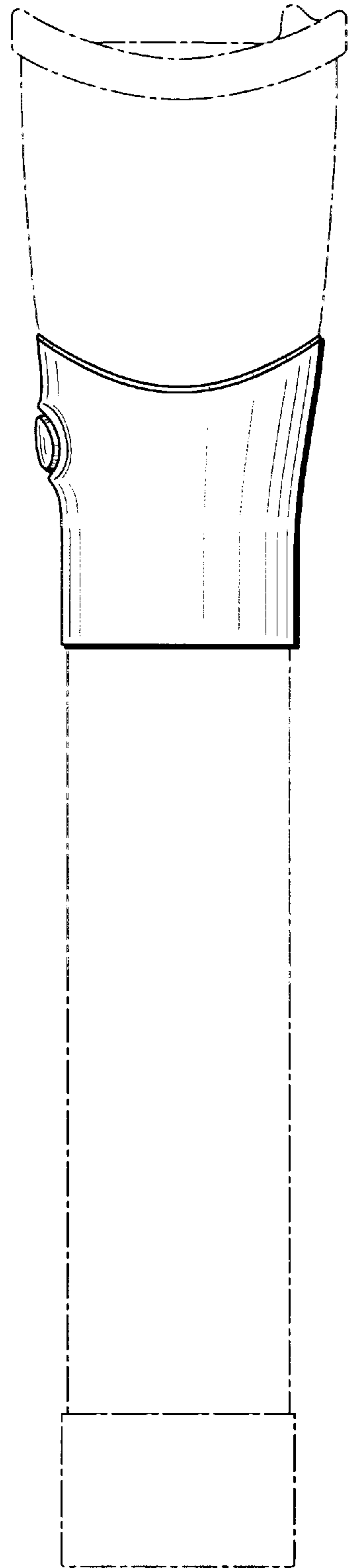


FIG. 4

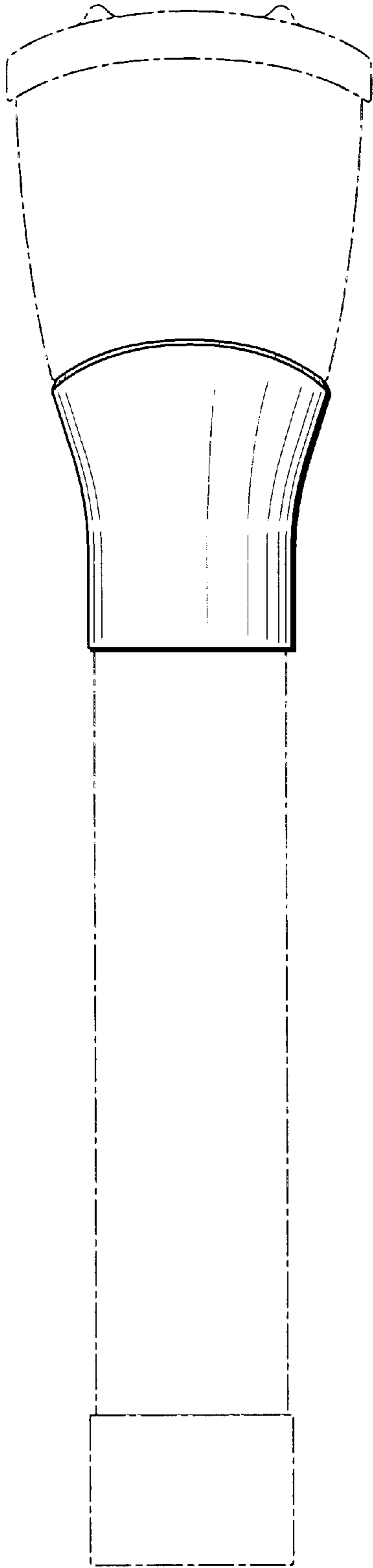


FIG. 5

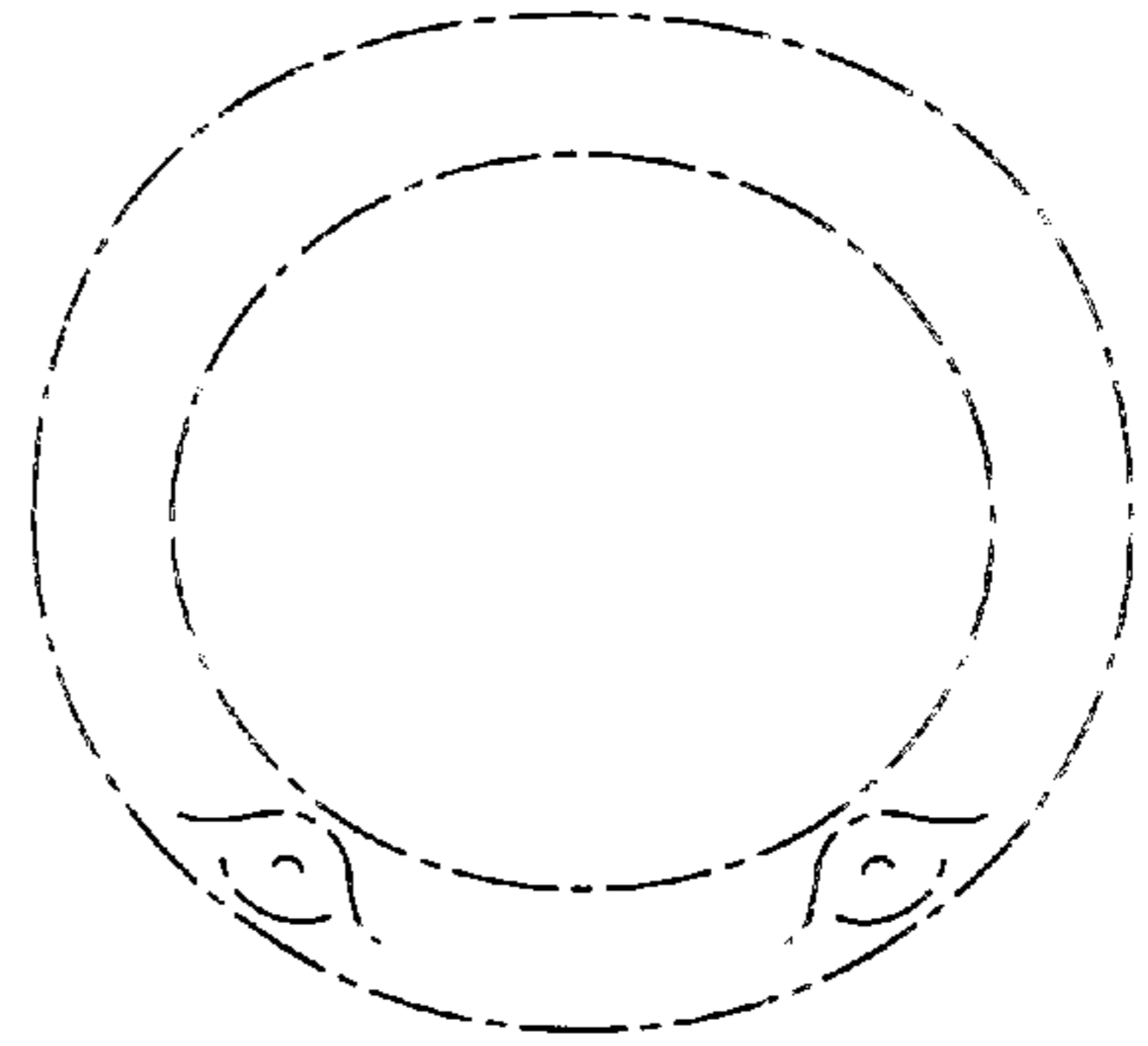


FIG. 6

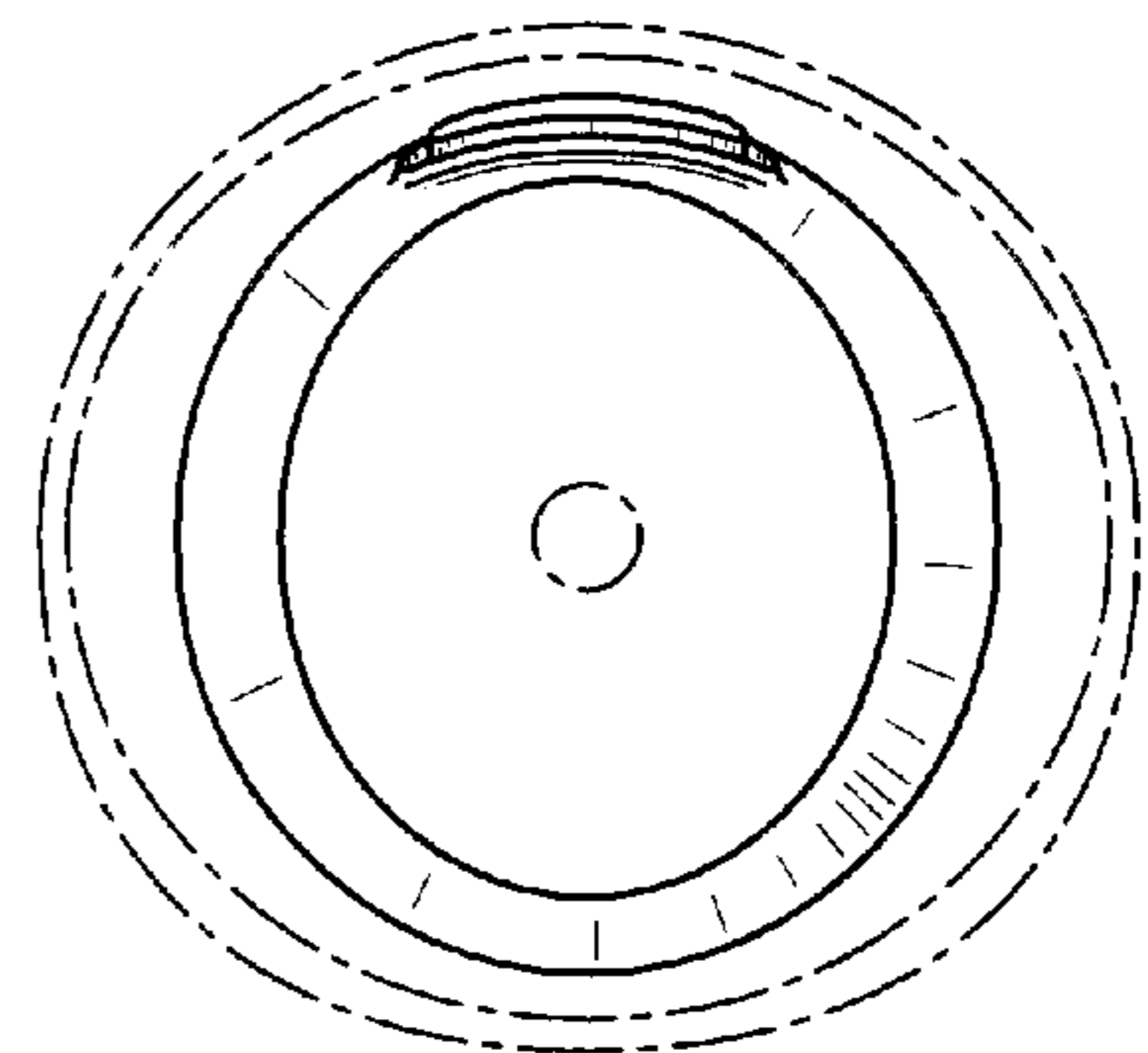


FIG. 7

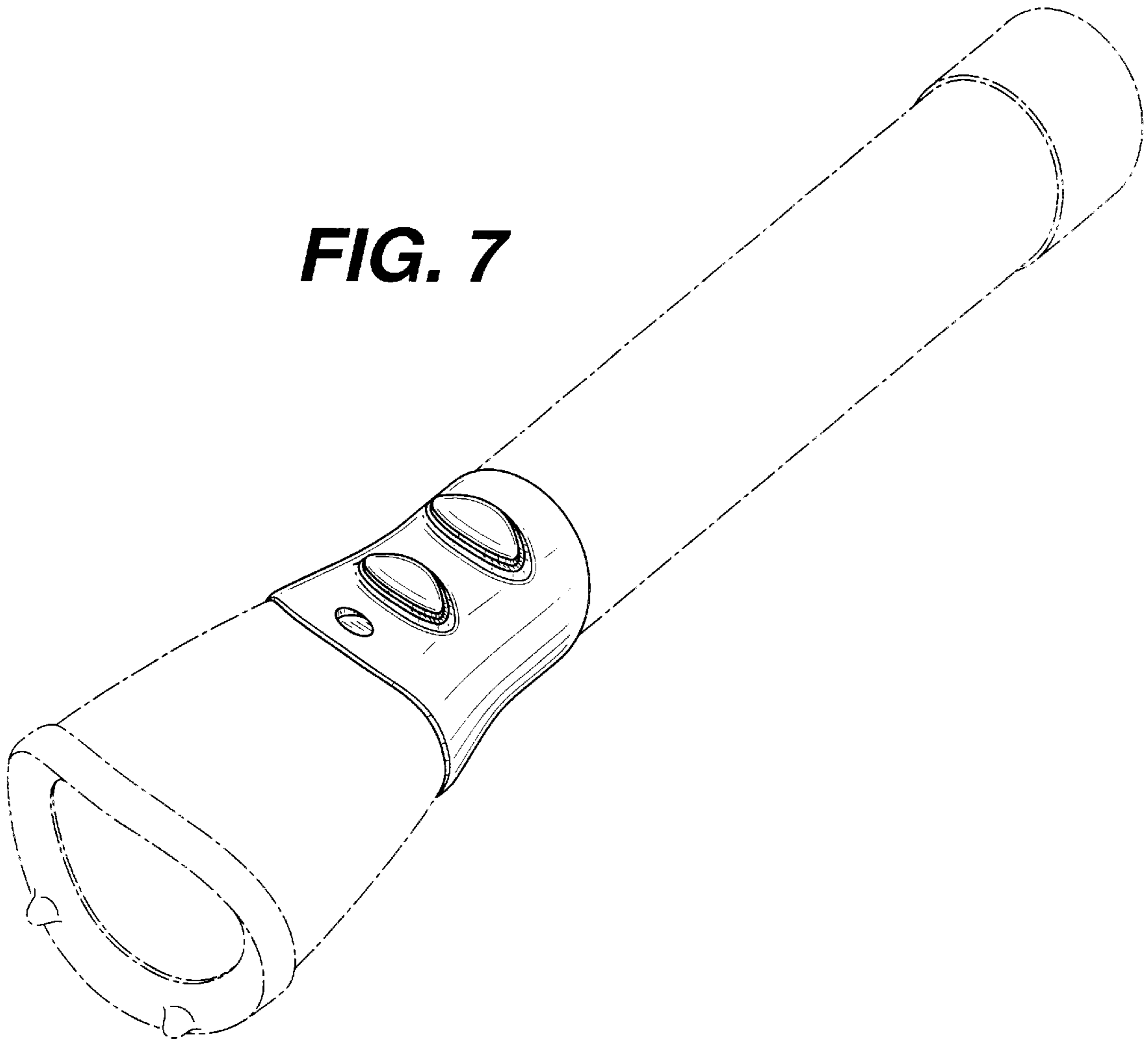


FIG. 8

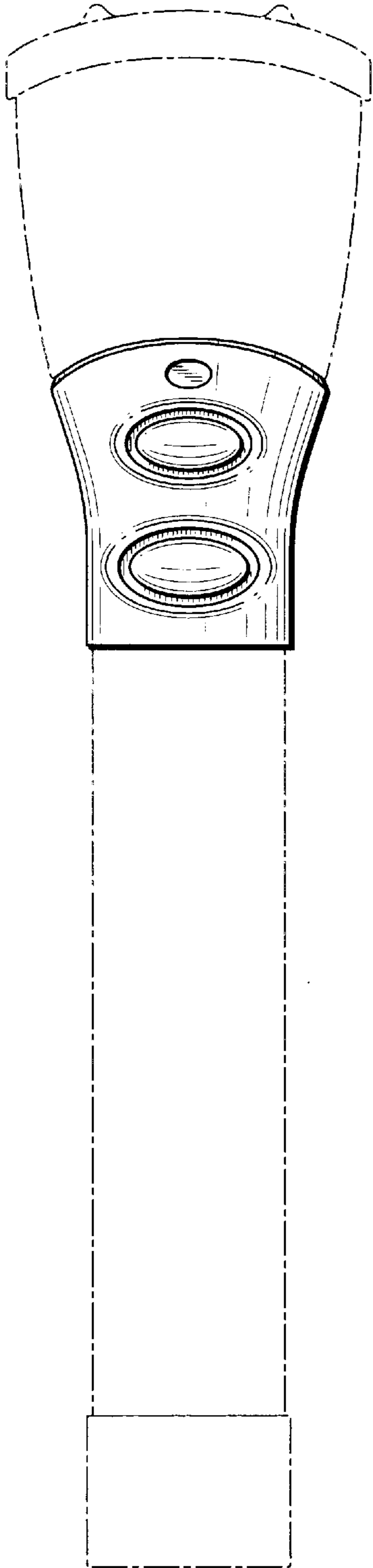


FIG. 9

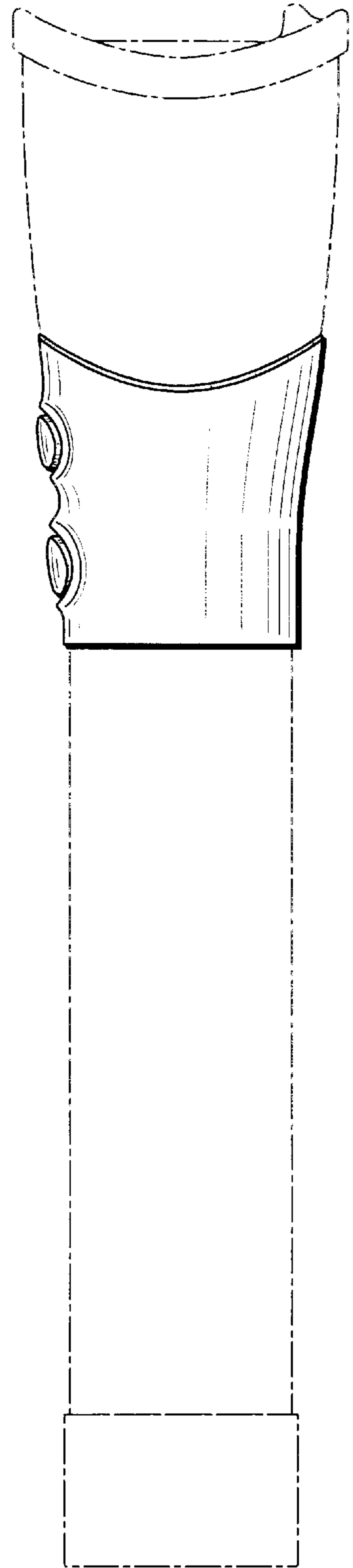


FIG. 10

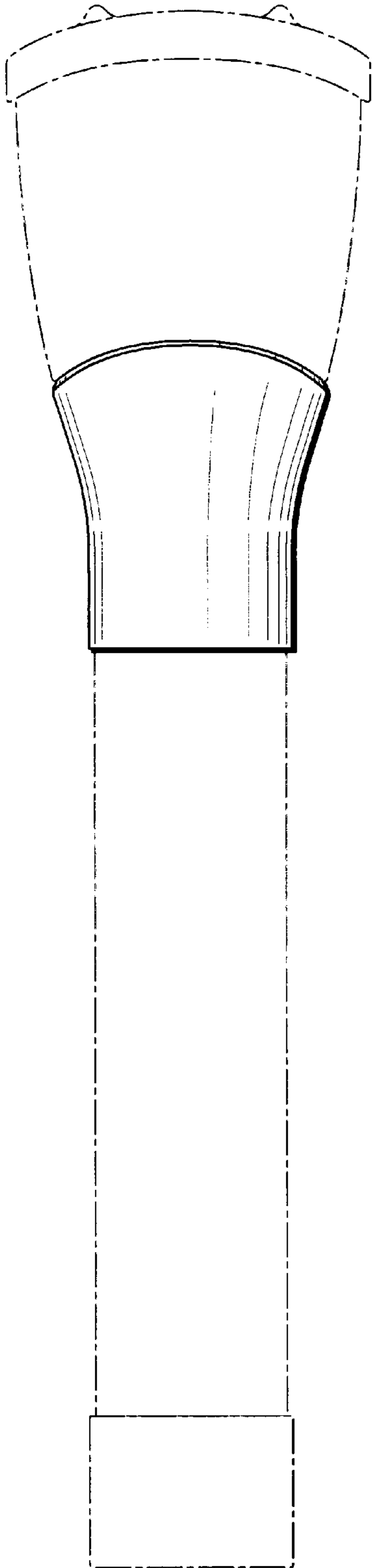


FIG. 11

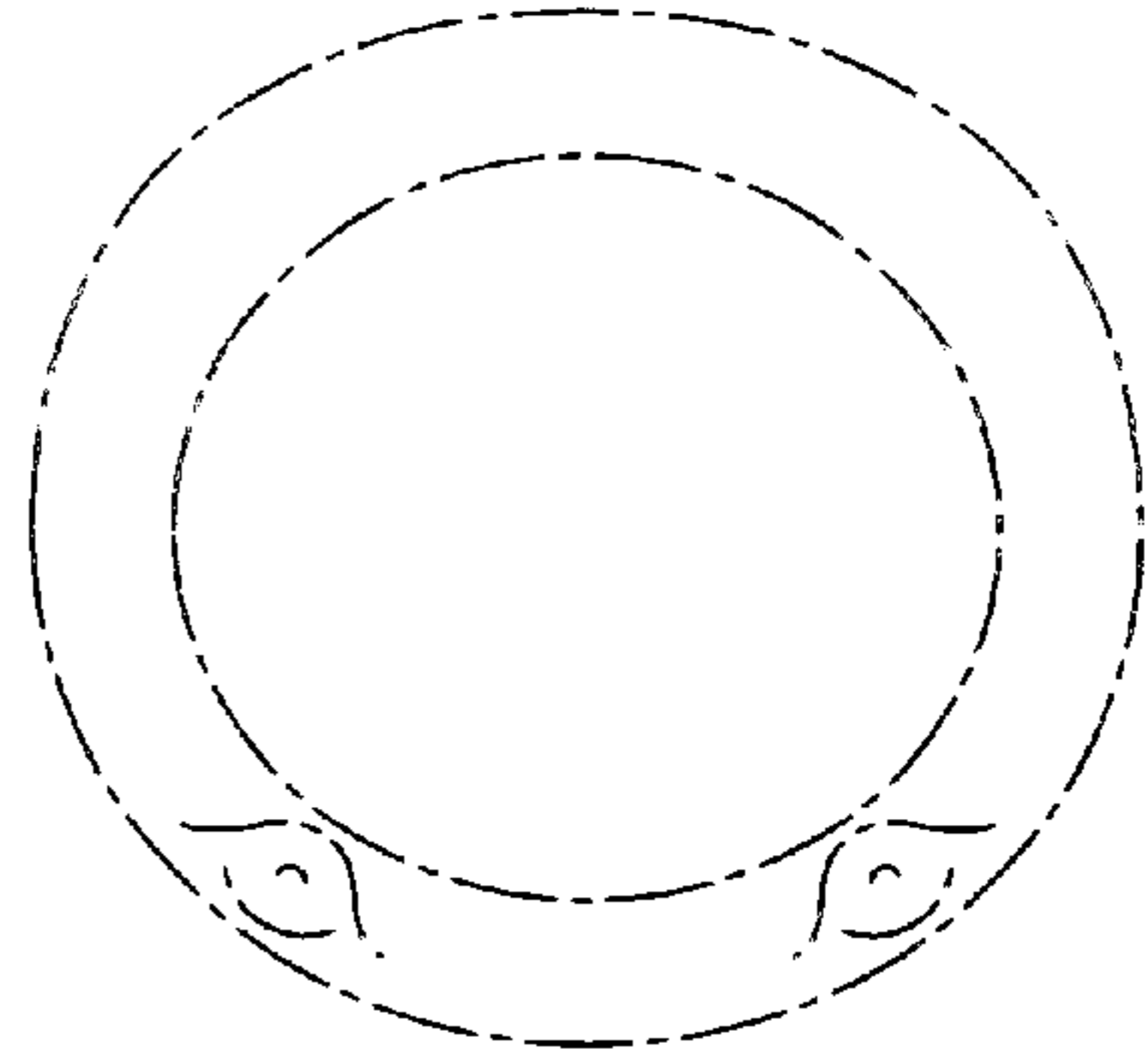


FIG. 12

