



US00D454966S

(12) **United States Design Patent**
Iida et al.

(10) **Patent No.:** **US D454,966 S**
(45) **Date of Patent:** **** Mar. 26, 2002**

(54) **LIGHT EMITTING DEVICE**

FOREIGN PATENT DOCUMENTS

(75) Inventors: **Seiji Iida**, Yokohama; **Naohiro Shimada**, Yokosuka; **Kazuo Fukuoka**, Yokohama; **Koichi Genei**, Ichikawa; **Satoshi Komoto**, Tokyo, all of (JP)

JP 1103871 3/2001

OTHER PUBLICATIONS

Nikkei Business Daily, dated Feb. 4, 1999.
Nikkei Business Daily, dated Dec. 10, 1999.
Denpa Shinbun, Dated Sep. 29, 1999.
Denpa Shinbun, dated Sep. 3, 1999.

(73) Assignee: **Kabushiki Kaisha Toshiba (JP)**

(**) Term: **14 Years**

* cited by examiner

(21) Appl. No.: **29/148,026**

Primary Examiner—Marcus A. Jackson

(22) Filed: **Sep. 14, 2001**

(74) *Attorney, Agent, or Firm*—Banner & Witcoff, Ltd.

(30) **Foreign Application Priority Data**

Mar. 15, 2001 (JP) 2001-006801

(57) **CLAIM**

(51) **LOC (7) Cl.** **26-06**

The ornamental design for a light emitting device, as shown and described.

(52) **U.S. Cl.** **D26/2**

DESCRIPTION

(58) **Field of Search** D26/1, 2, 3, 4;
362/326, 334, 335, 337, 351, 358; 313/113,
128, 129, 130, 131, 315, 318

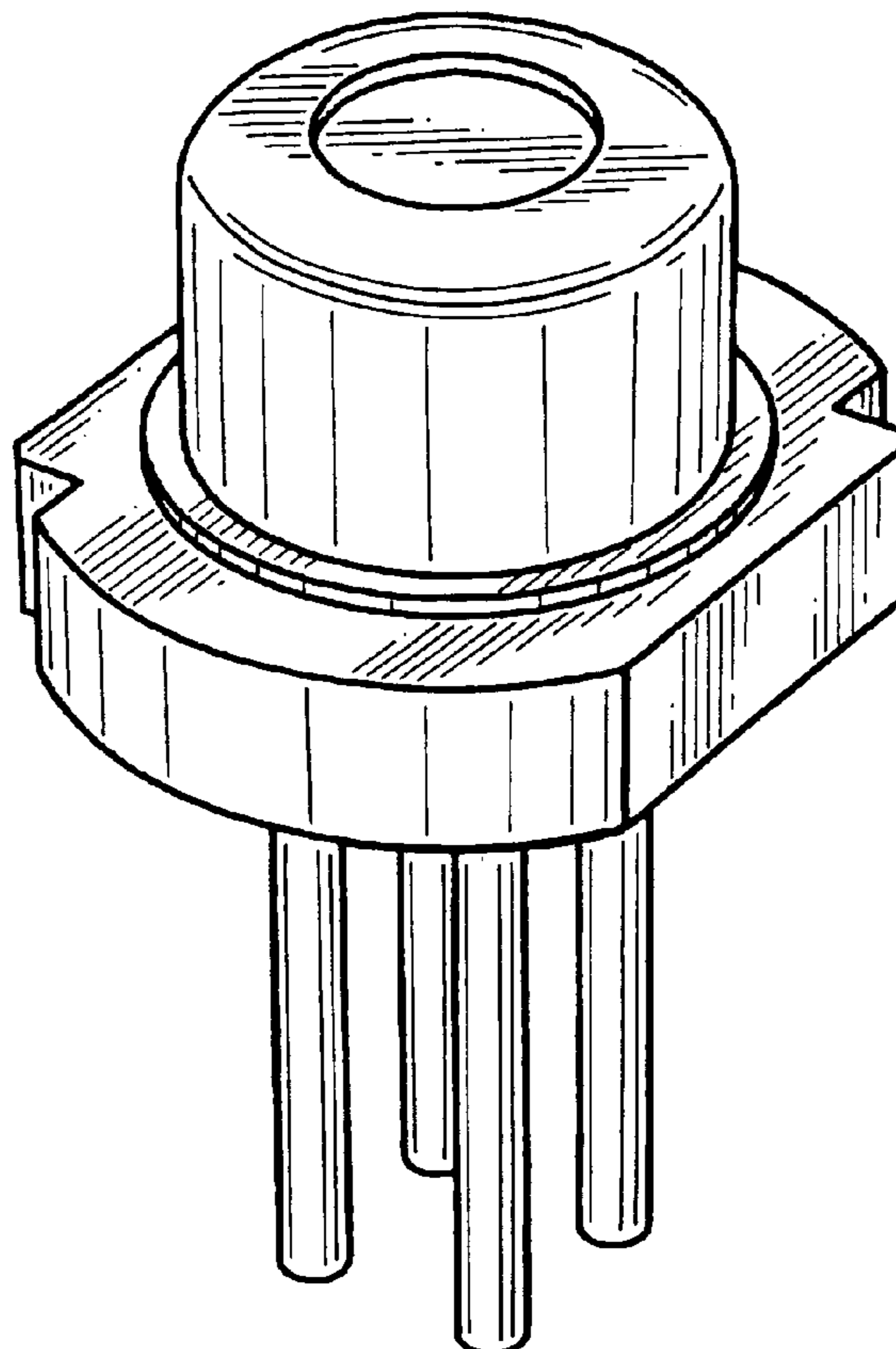
FIG. 1 is a front, top and right side perspective view of a light emitting device, showing our new design;
FIG. 2 is a top plan view thereof;
FIG. 3 is a right side elevational view thereof;
FIG. 4 is a front elevational view thereof;
FIG. 5 is a rear elevational view thereof;
FIG. 6 is a left side elevational view thereof; and,
FIG. 7 is a bottom plan view thereof.

(56) **References Cited**

U.S. PATENT DOCUMENTS

D302,863 S * 8/1989 Krol D26/2
D325,994 S * 5/1992 Hume et al. D26/2
D336,963 S * 6/1993 Levin et al. D26/2
D363,358 S * 10/1995 Wang D26/2

1 Claim, 2 Drawing Sheets



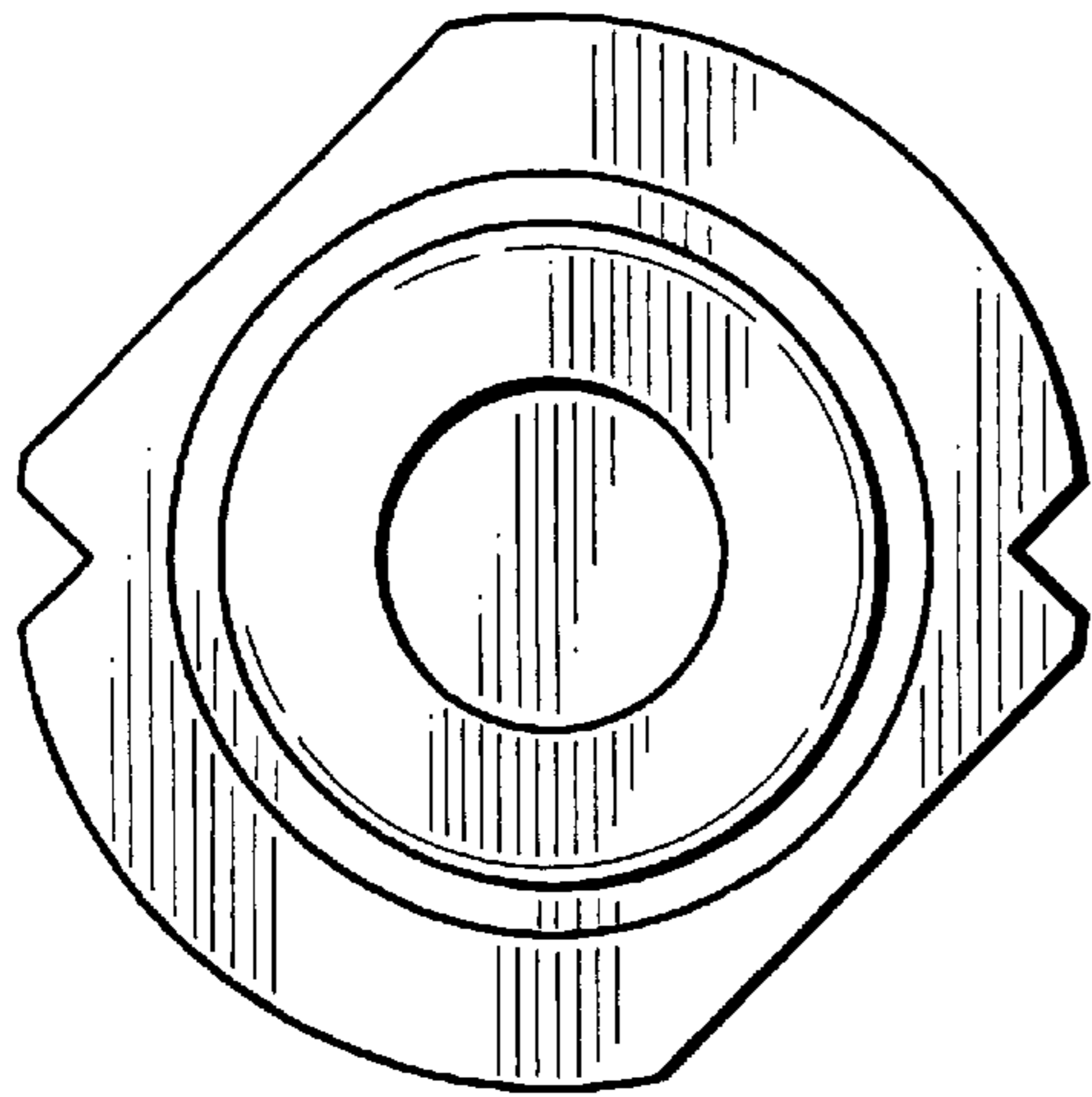


Fig. 2

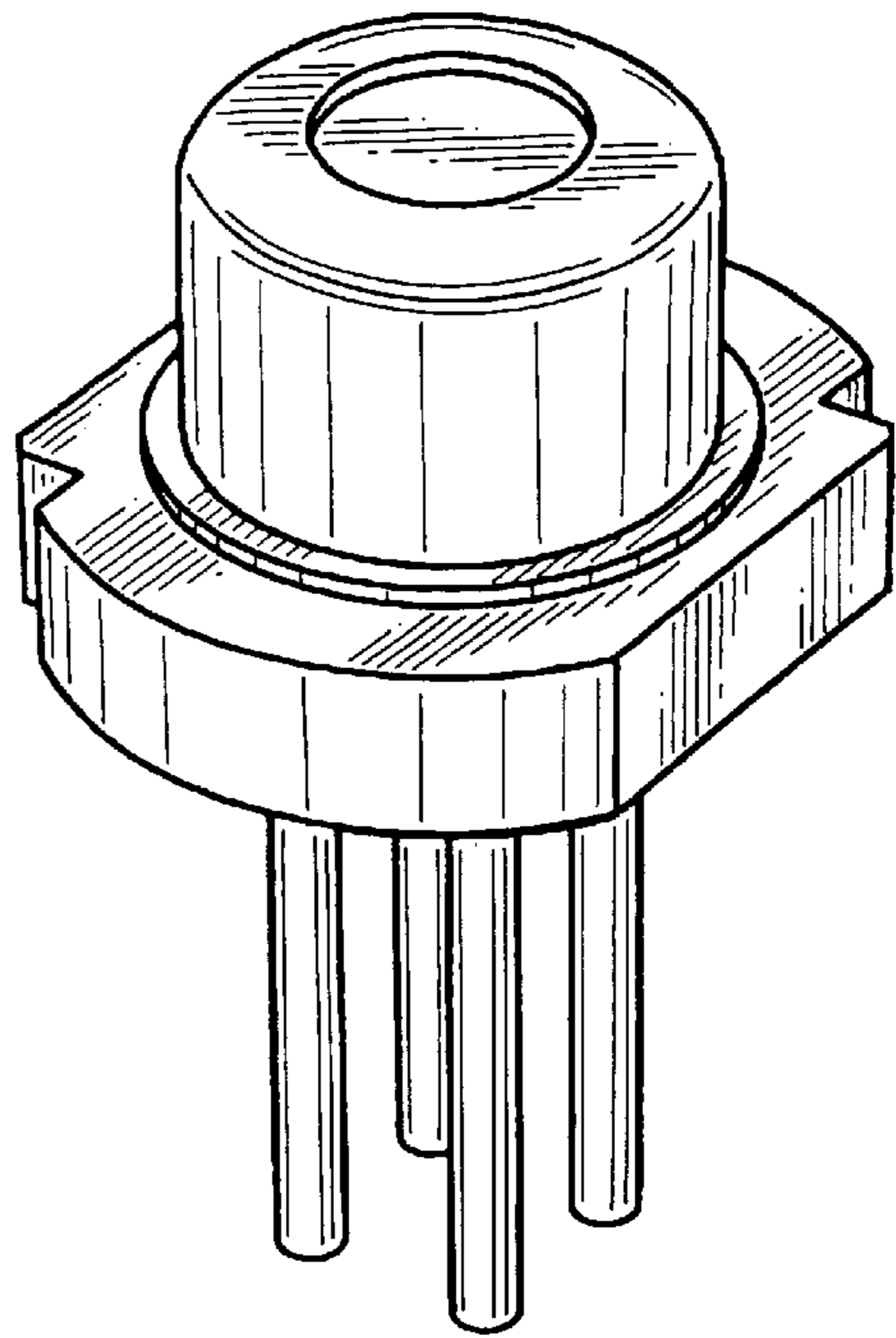


Fig. 1

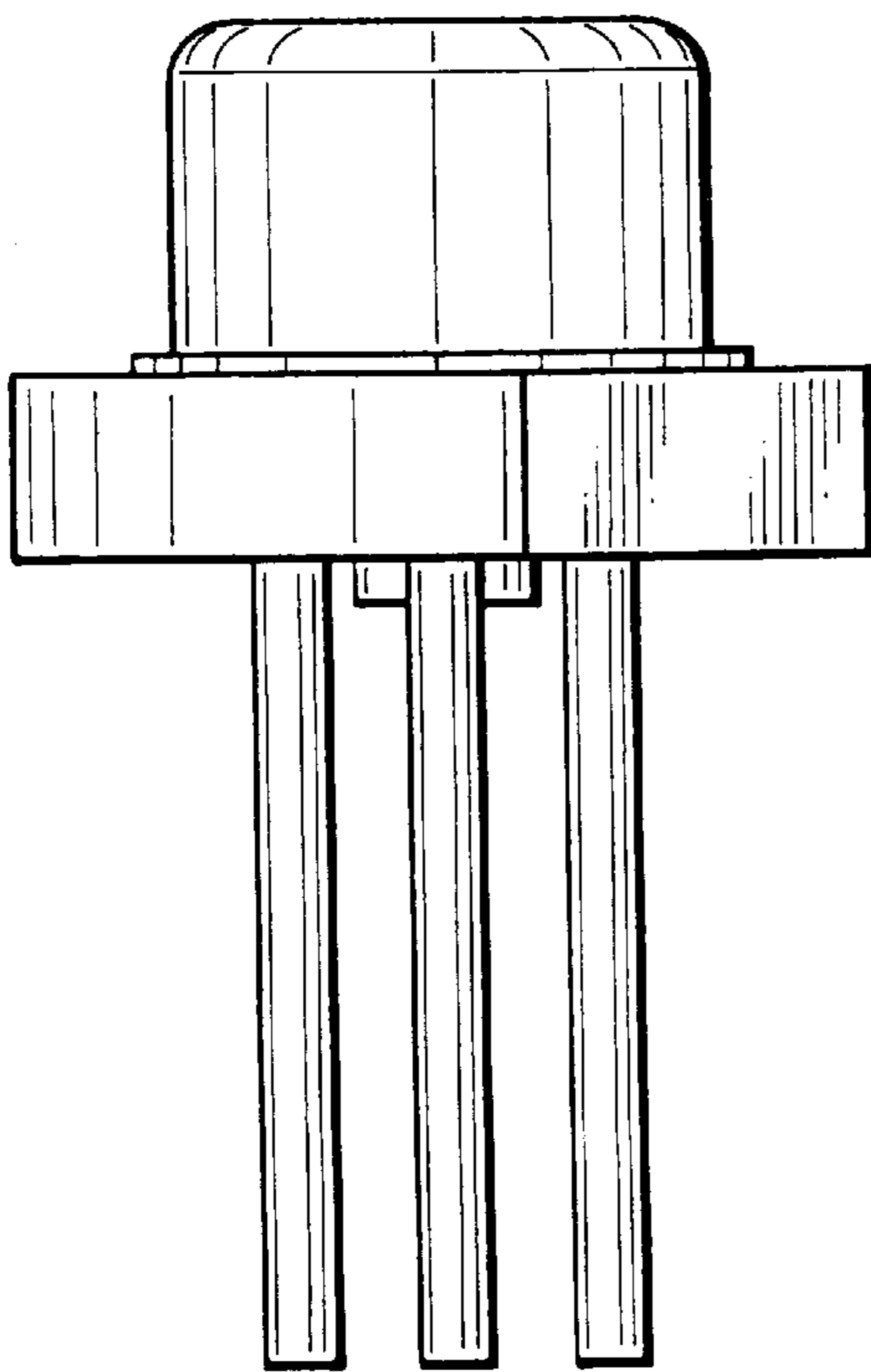


Fig. 4

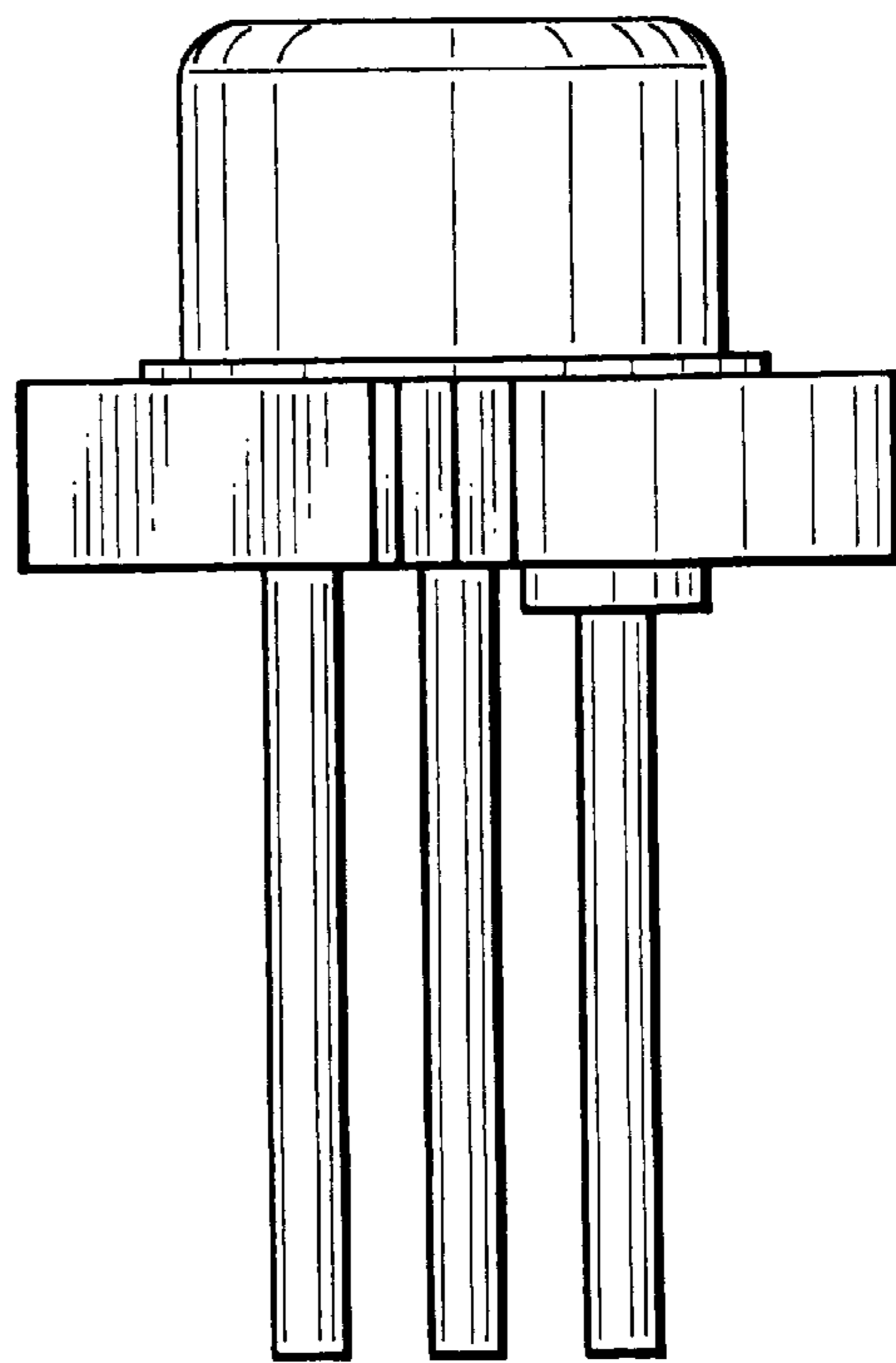


Fig. 3

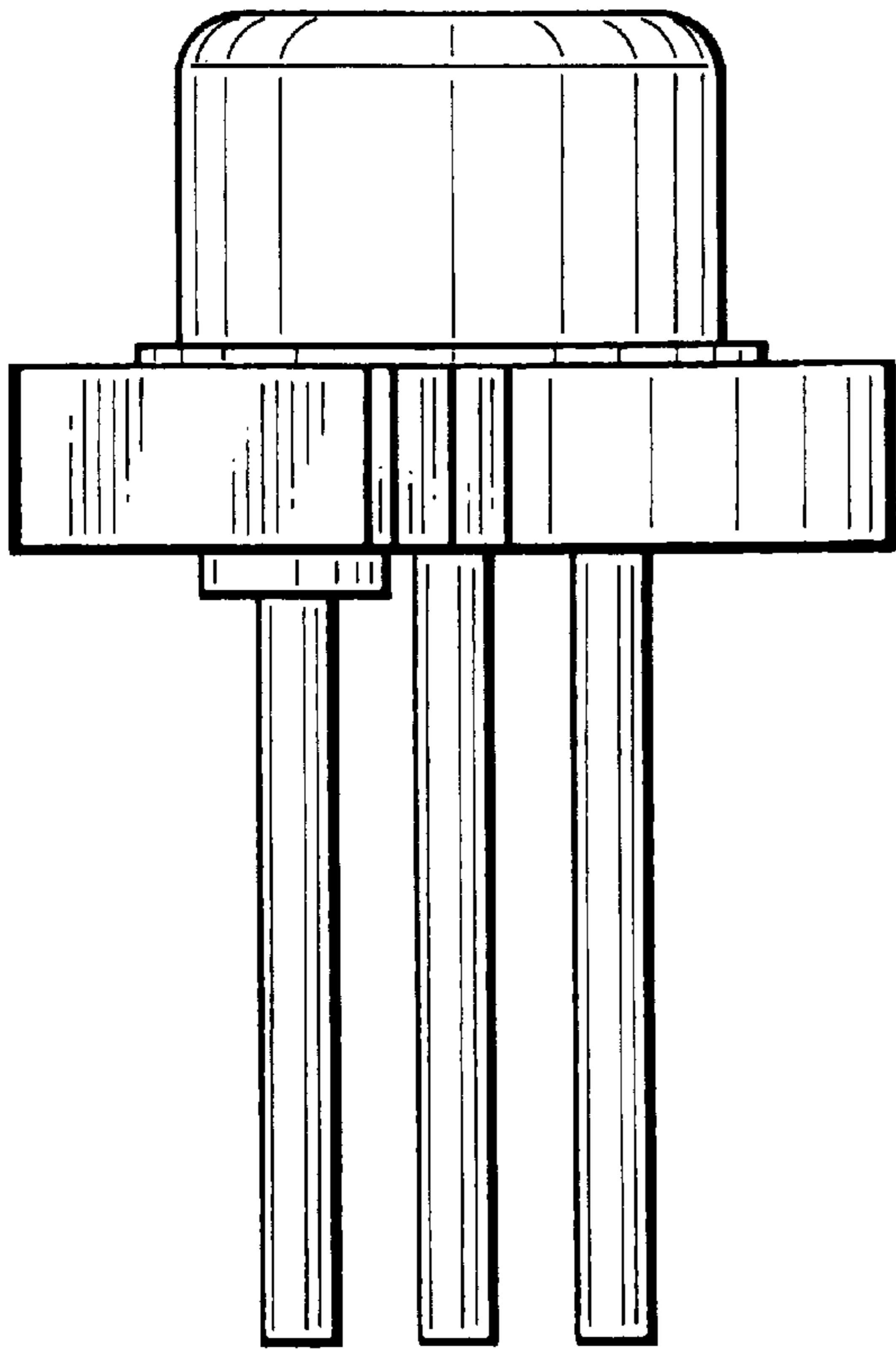


Fig. 6

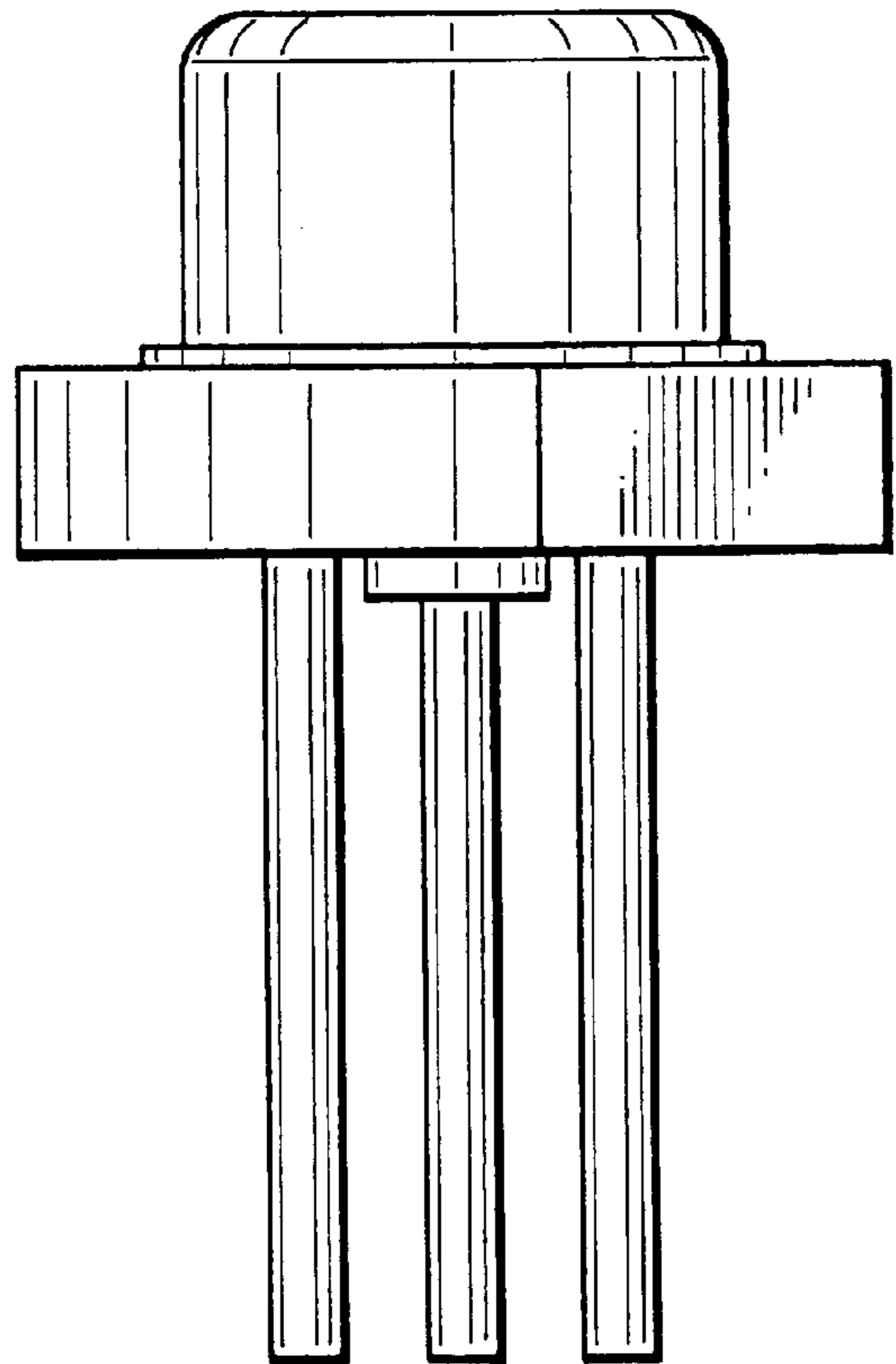


Fig. 5

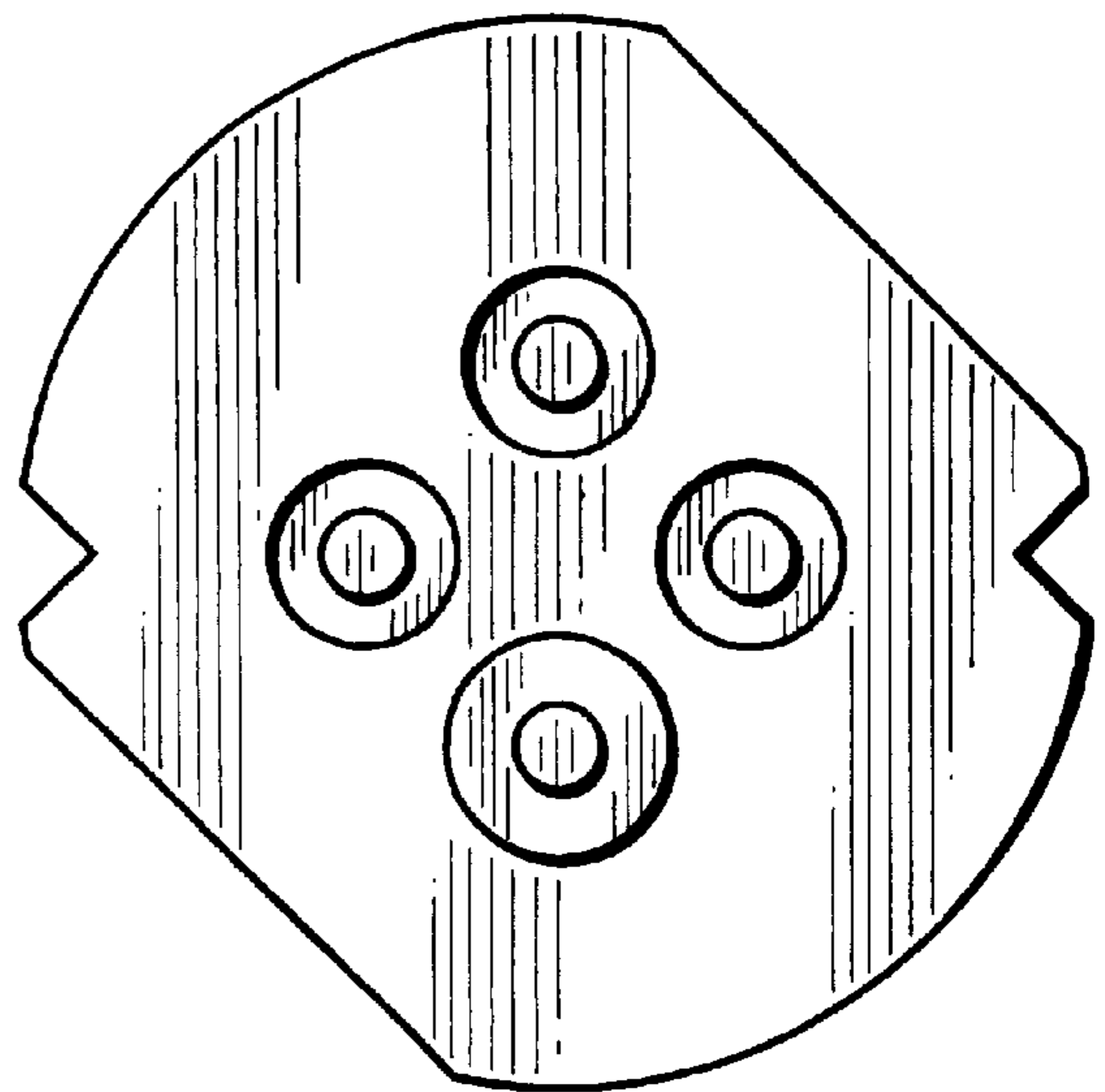


Fig. 7