



US00D454962S

(12) **United States Design Patent**  
**Grace**

(10) **Patent No.:** **US D454,962 S**

(45) **Date of Patent:** **\*\* Mar. 26, 2002**

(54) **SIDING AND UNDERSILL SOFFIT**

D361,138 S \* 8/1995 Moore et al. .... D25/119  
D377,505 S \* 1/1997 Thompson .... D25/119

(75) Inventor: **Thomas E. Grace**, Newton, NC (US)

\* cited by examiner

(73) Assignee: **Owens Corning Fiberglas Technology, Inc.**, Summit, IL (US)

*Primary Examiner*—Doris Clark

(\* ) Notice: This patent is subject to a terminal disclaimer.

(74) *Attorney, Agent, or Firm*—Inger H. Eckert; Stephen W. Barns

(\*\*) Term: **14 Years**

(57) **CLAIM**

(21) Appl. No.: **29/125,189**

The ornamental design for a siding and undersill soffit, as shown and described.

(22) Filed: **Jun. 20, 2000**

**DESCRIPTION**

(51) **LOC (7) Cl.** ..... **25-01**

(52) **U.S. Cl.** ..... **D25/119**

(58) **Field of Search** ..... D25/119, 164;  
52/716.1, 716.4, 717.6, 718.1, 718.4, 290,  
273, 244, 556

The FIGURE is a perspective view of a trim extrusion for siding undersill and soffit showing my new design, the opposite side being a mirror image thereof.

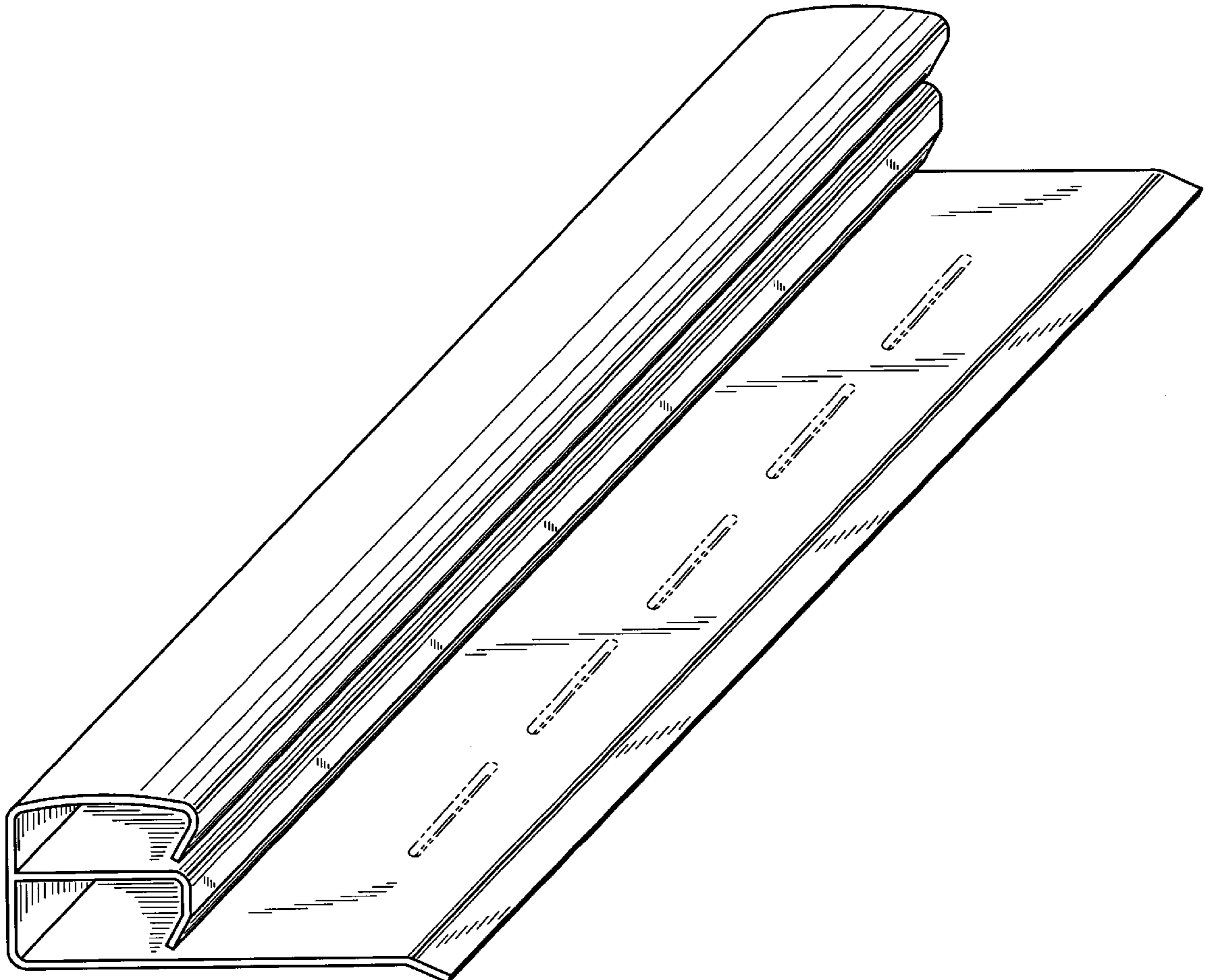
The broken line in the figures showing nailing holes is for illustrative purposes only and forms no part of the claimed design.

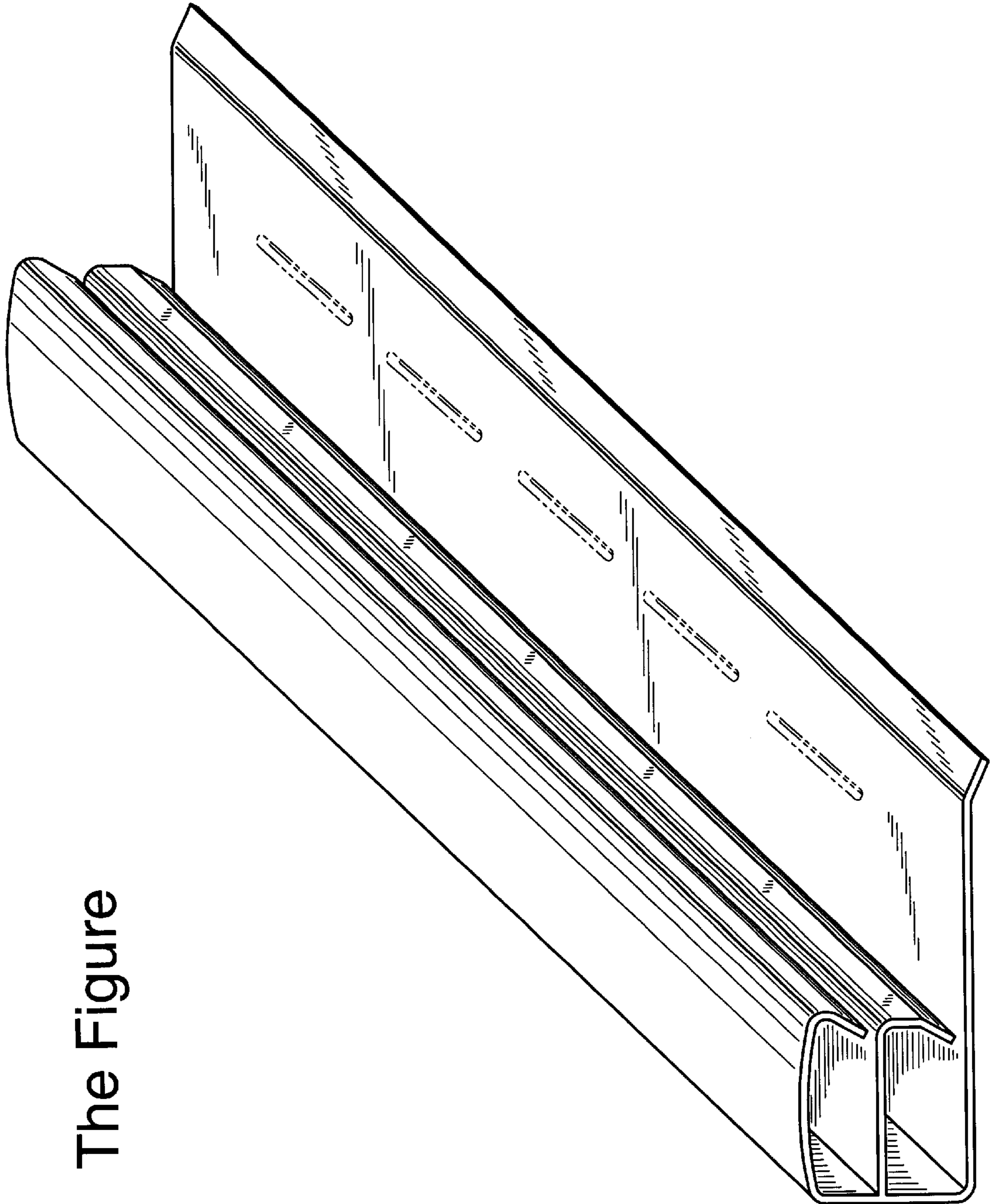
(56) **References Cited**

**U.S. PATENT DOCUMENTS**

D316,299 S 4/1991 Hurlburt

**1 Claim, 1 Drawing Sheet**





The Figure