



US00D454950S

(12) **United States Design Patent**
Cain

(10) **Patent No.:** **US D454,950 S**

(45) **Date of Patent:** **** Mar. 26, 2002**

(54) **RADIATOR COVER**

D294,517 S * 3/1988 Williamson D23/395
6,003,596 A * 12/1999 Barba 165/299

(76) Inventor: **Brendon Cain**, 38 Blueberry Fields,
Fazakerley, Liverpool L10 9NG (GB)

* cited by examiner

(**) Term: **14 Years**

Primary Examiner—Mitchell Siegel
(74) *Attorney, Agent, or Firm*—Reed Smith LLP

(21) Appl. No.: **29/132,749**

(57) **CLAIM**

(22) Filed: **Nov. 14, 2000**

I claim the ornamental design for a radiator cover, as shown and described.

(51) **LOC (7) Cl.** **23-04**

(52) **U.S. Cl.** **D23/395**

(58) **Field of Search** D23/395, 411;
165/299, 122, 53, 55, 57; 237/79

DESCRIPTION

FIG. 1 is a front plan view of a radiator cover, showing my new design;

FIG. 2 is a top plan view thereof;

FIG. 3 is a side plan view thereof (other side corresponds);

FIG. 4 is a sectional view along line 4—4 in FIG. 1; and,

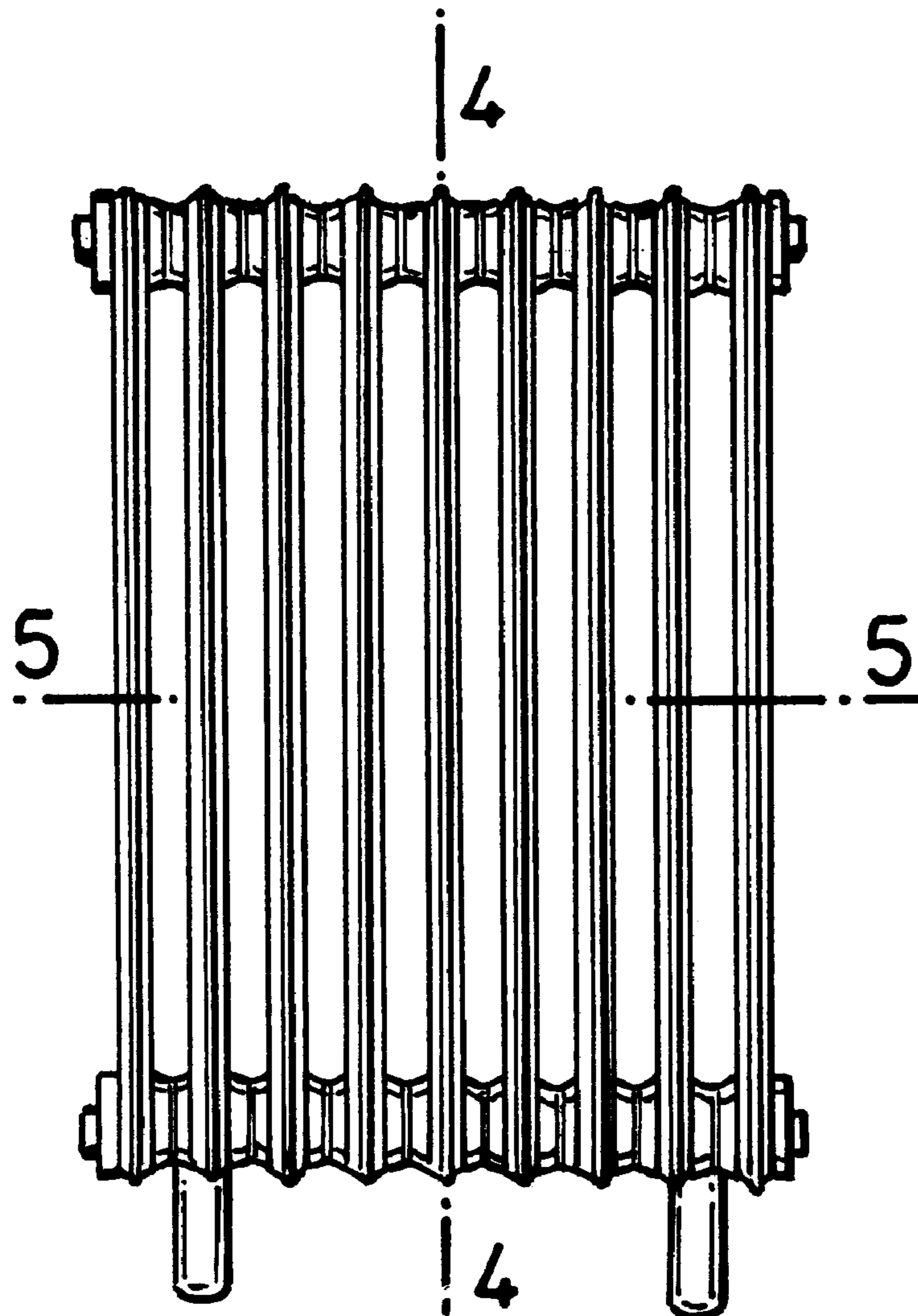
FIG. 5 is a sectional view along line 5—5 in FIG. 1.

(56) **References Cited**

U.S. PATENT DOCUMENTS

D68,810 S * 3/1925 Schleicher D23/395
1,979,817 A * 11/1934 Anderson D23/395
D124,702 S * 1/1941 Young D23/395

1 Claim, 1 Drawing Sheet



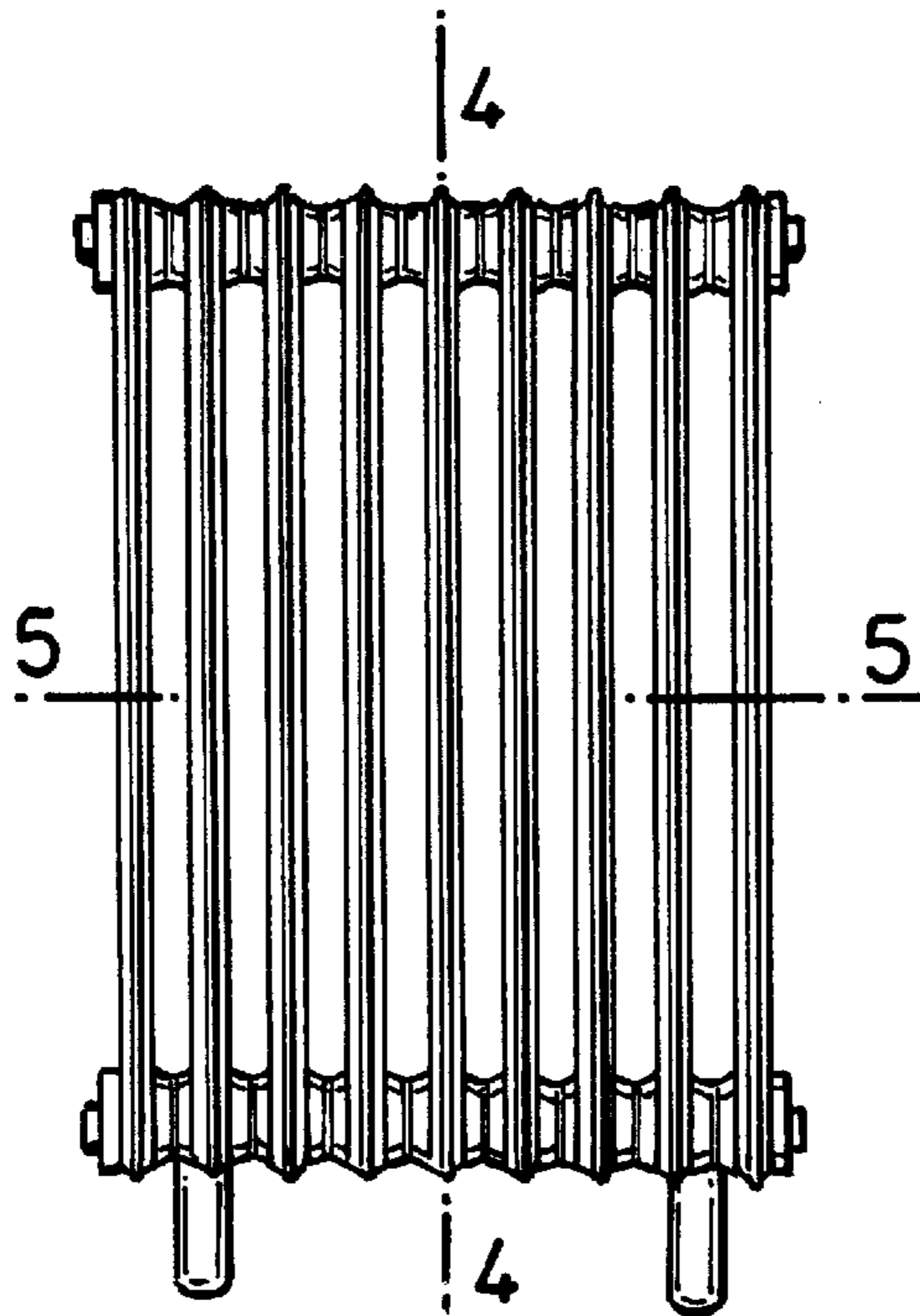


FIG. 1



FIG. 2



FIG. 5

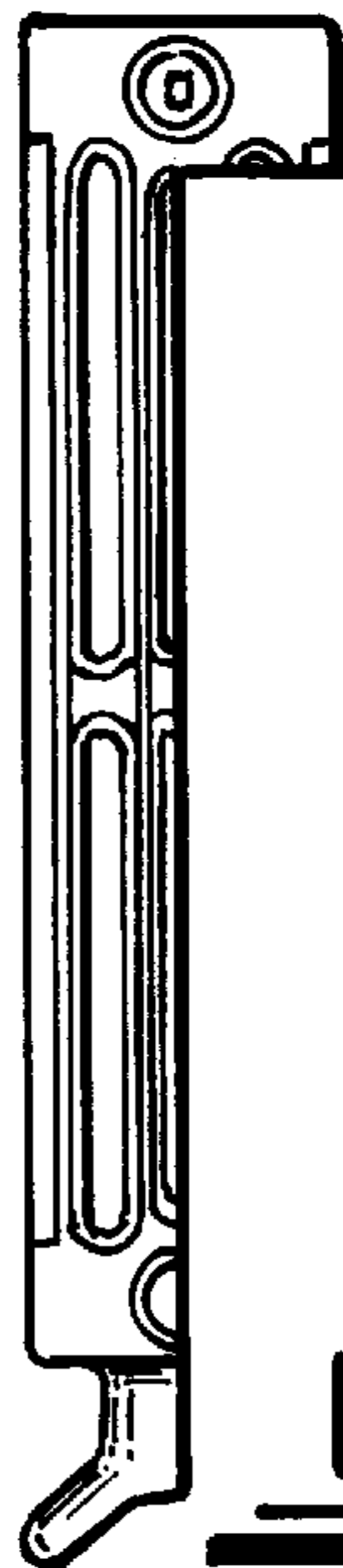


FIG. 4

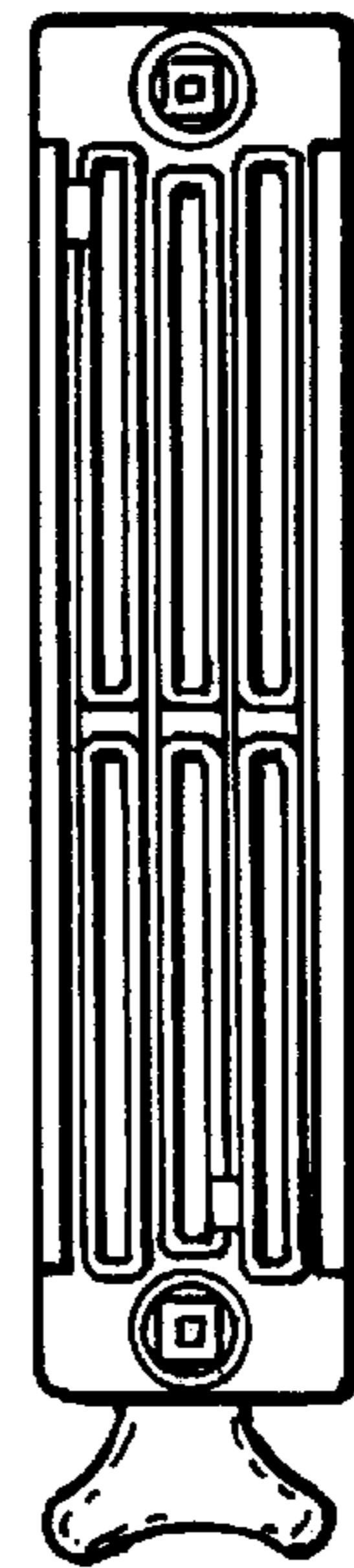


FIG. 3