



US00D454947S

(12) **United States Design Patent**
Wagner

(10) **Patent No.:** **US D454,947 S**

(45) **Date of Patent:** **** Mar. 26, 2002**

(54) **COOLING DEVICE**

5,910,694 A * 6/1999 Yokozawa et al. 415/176

(75) Inventor: **Guy R. Wagner**, Loveland, CO (US)

* cited by examiner

(73) Assignee: **Agilent Technologies, Inc.**, Palo Alto, CA (US)

Primary Examiner—Lisa Lichtenstein

(**) Term: **14 Years**

(57) **CLAIM**

The ornamental design for a cooling device, as shown and described.

(21) Appl. No.: **29/125,793**

DESCRIPTION

(22) Filed: **Jun. 29, 2000**

(51) **LOC (7) Cl.** **23-04**

(52) **U.S. Cl.** **D23/370**

(58) **Field of Search** D23/370, 379;
415/176-178, 175, 211.2, 209.2

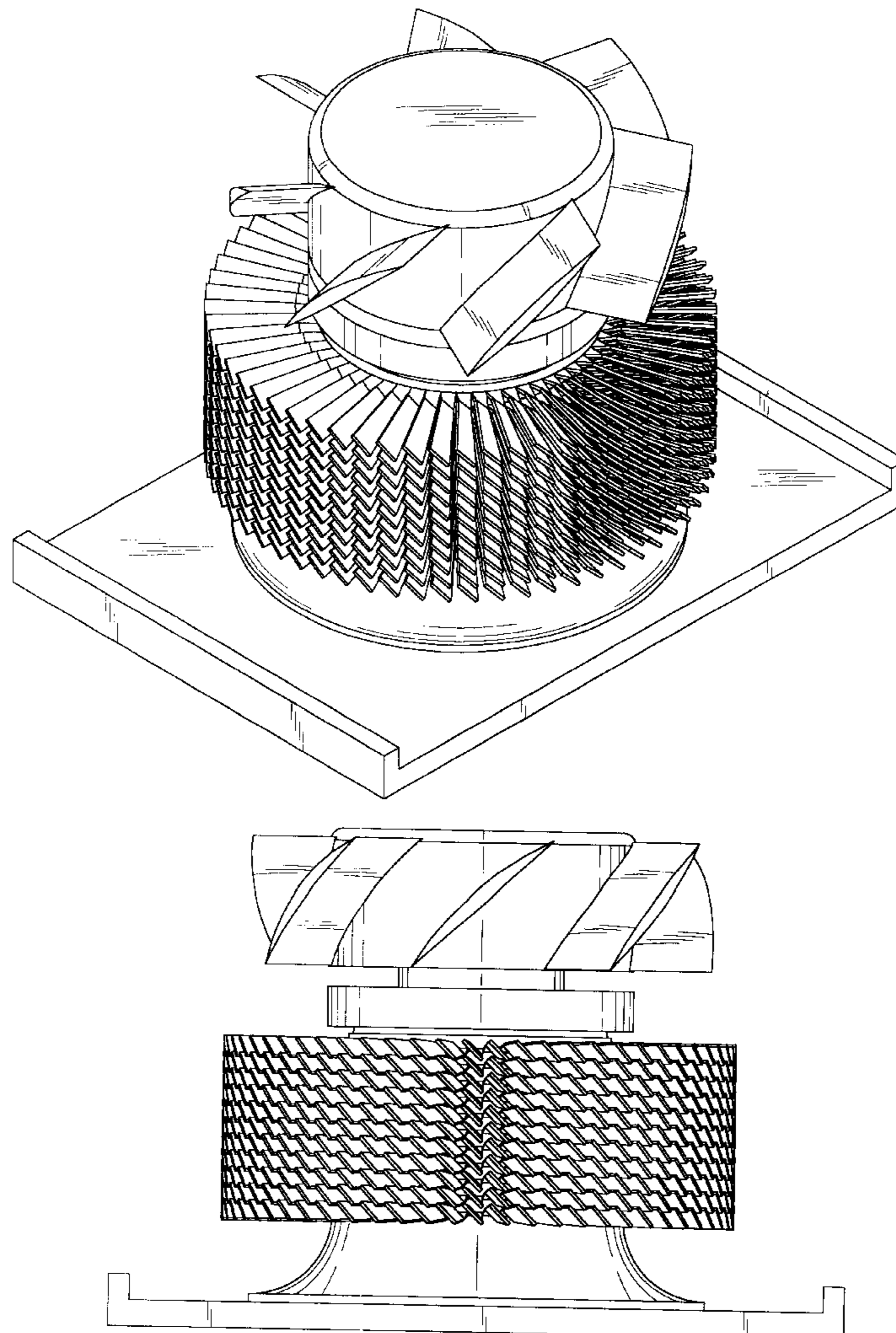
FIG. 1 is a top, front, front perspective view of a cooling device showing my new design having a plate and a fan; FIG. 2 is a top plan view of the first embodiment, the bottom plan view is not shown as it is flat and unornamented; FIG. 3 is a left side elevational view of the first embodiment; FIG. 4 is a right side elevational view of the first embodiment; FIG. 5 is a front elevational view of the first embodiment; and, FIG. 6 is a rear elevational view of the first embodiment.

(56) **References Cited**

U.S. PATENT DOCUMENTS

D326,080 S * 5/1992 Vartiala D12/214
5,700,129 A * 12/1997 Kocian 415/176
D403,755 S * 1/1999 Liang D23/370

1 Claim, 3 Drawing Sheets



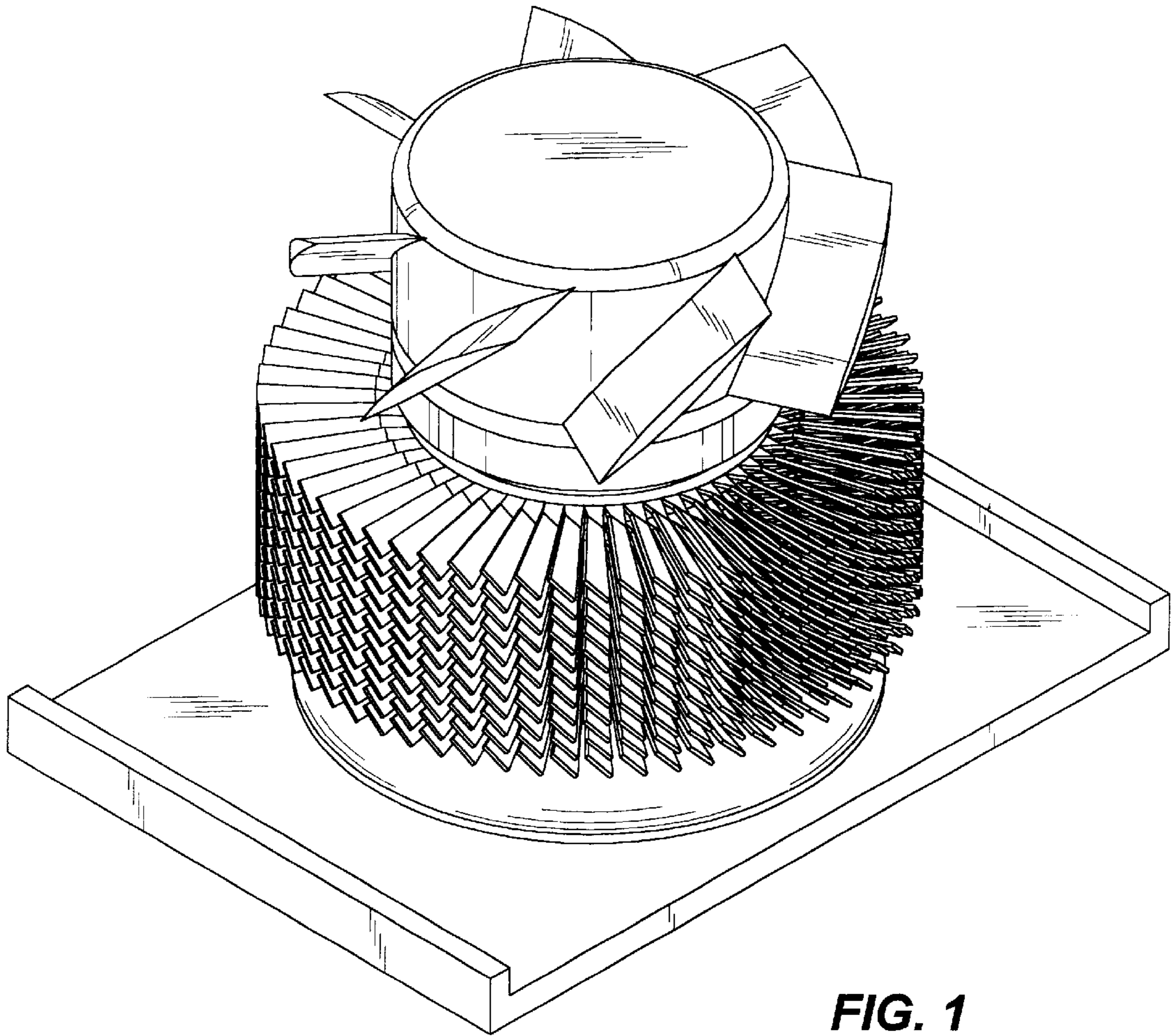


FIG. 1

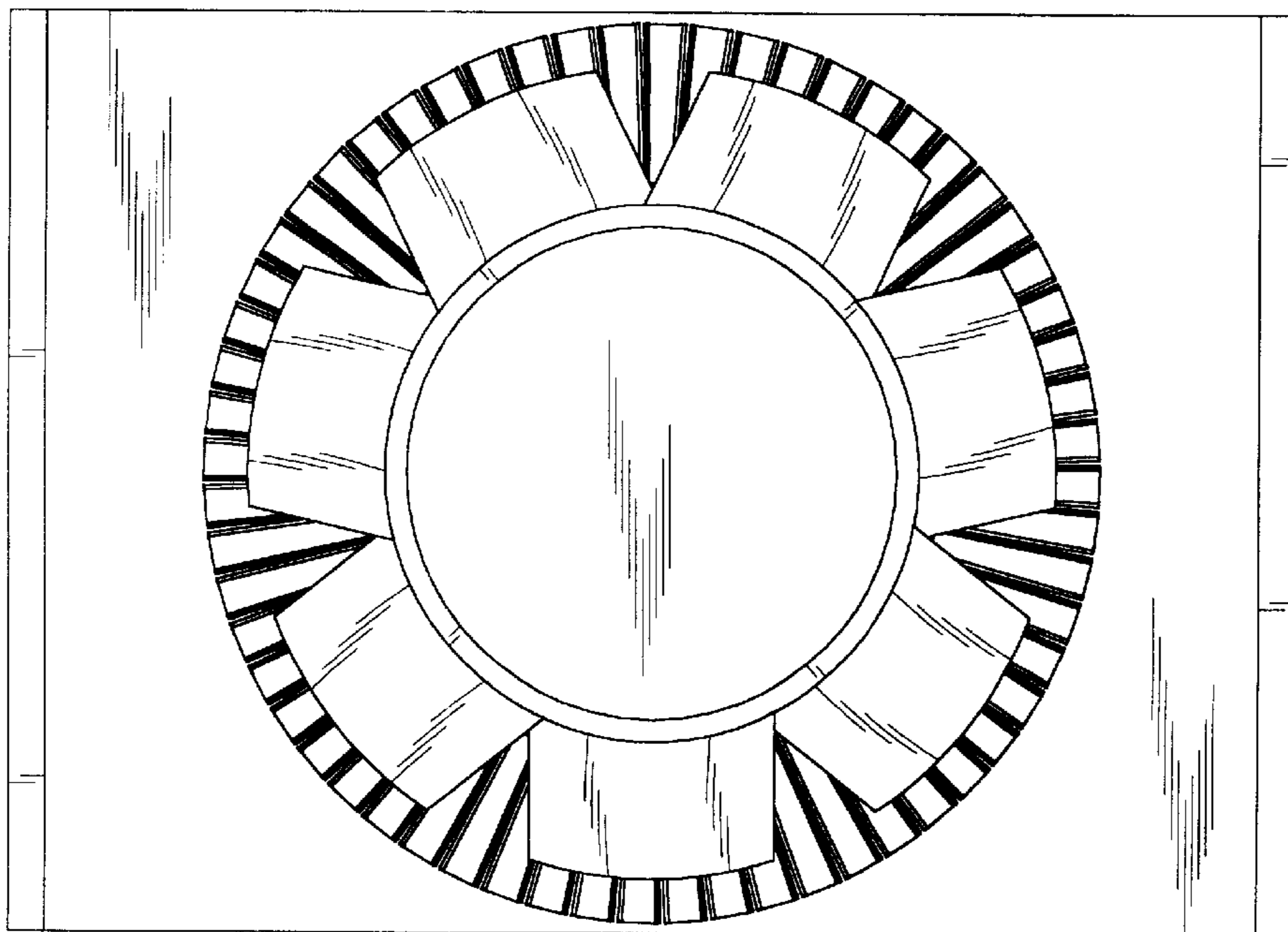


FIG. 2

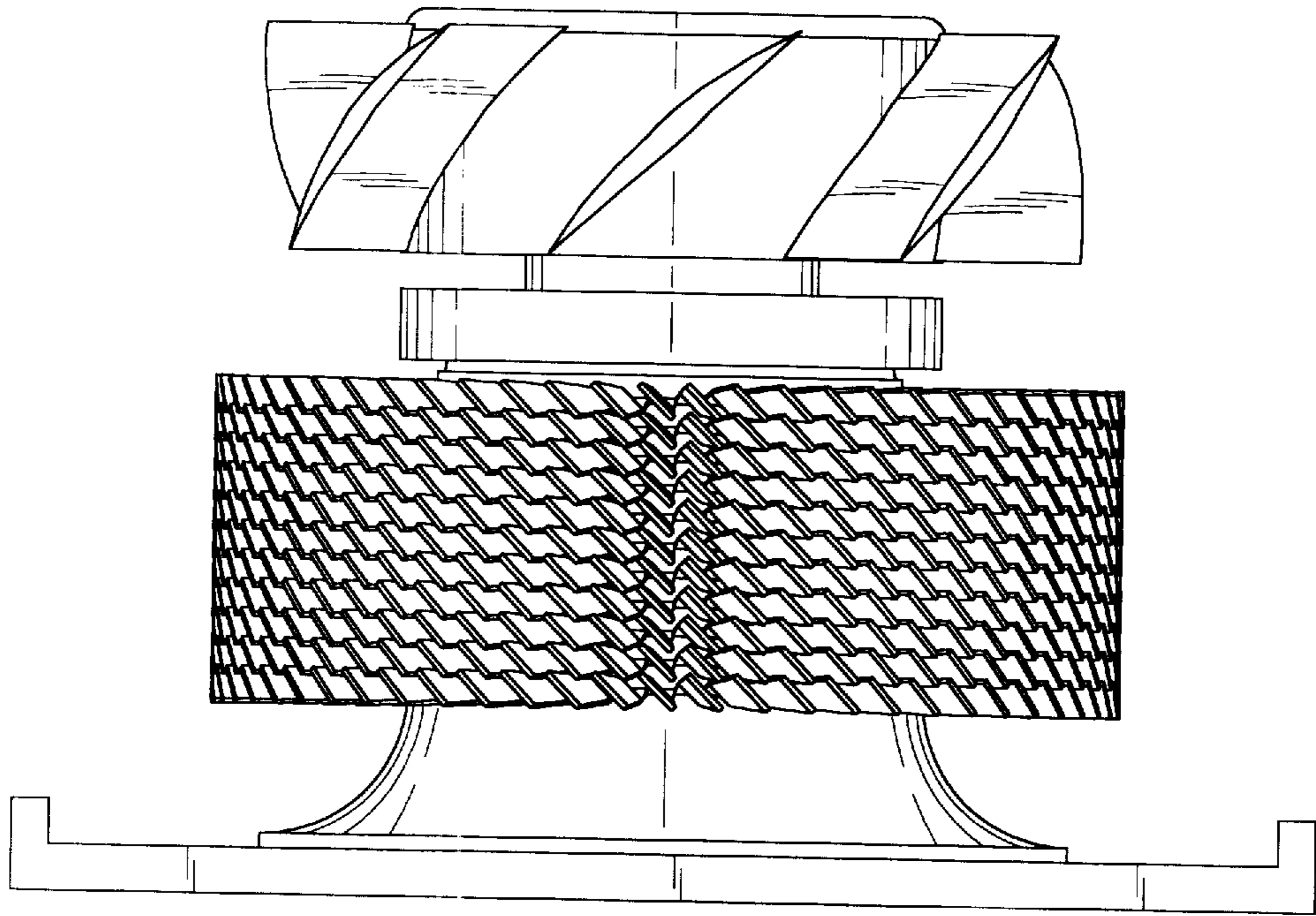


FIG. 3

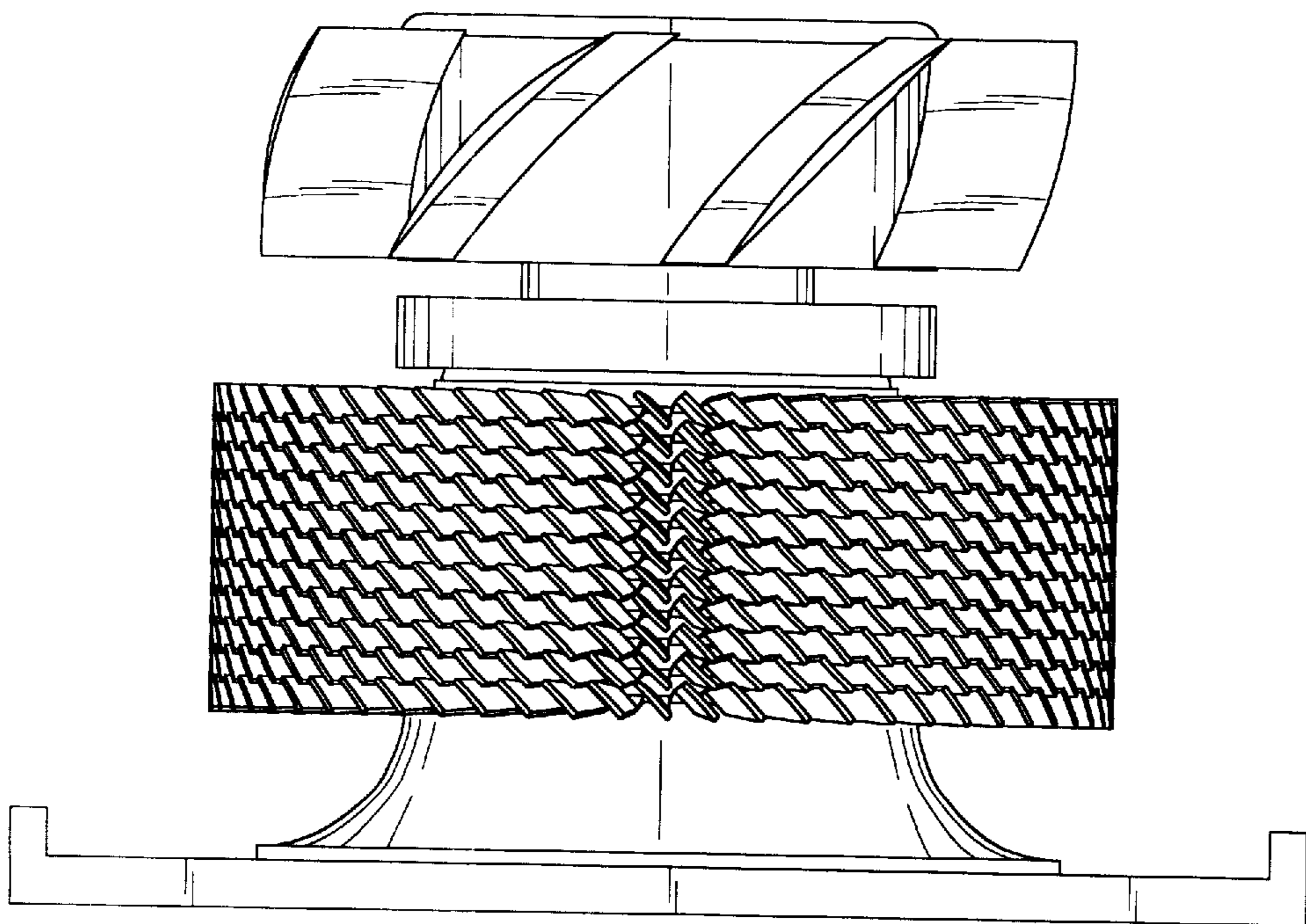


FIG. 4

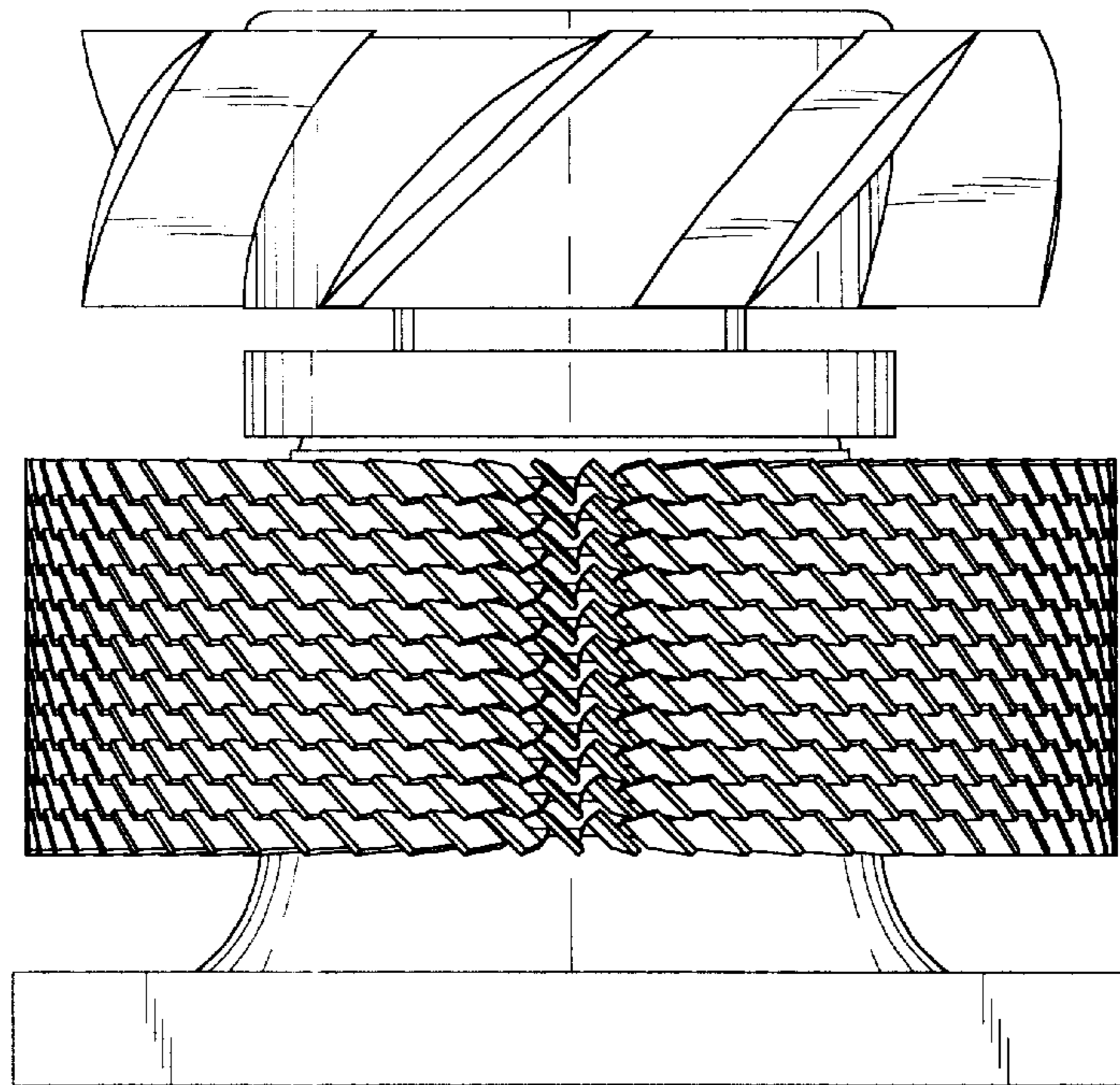


FIG. 5

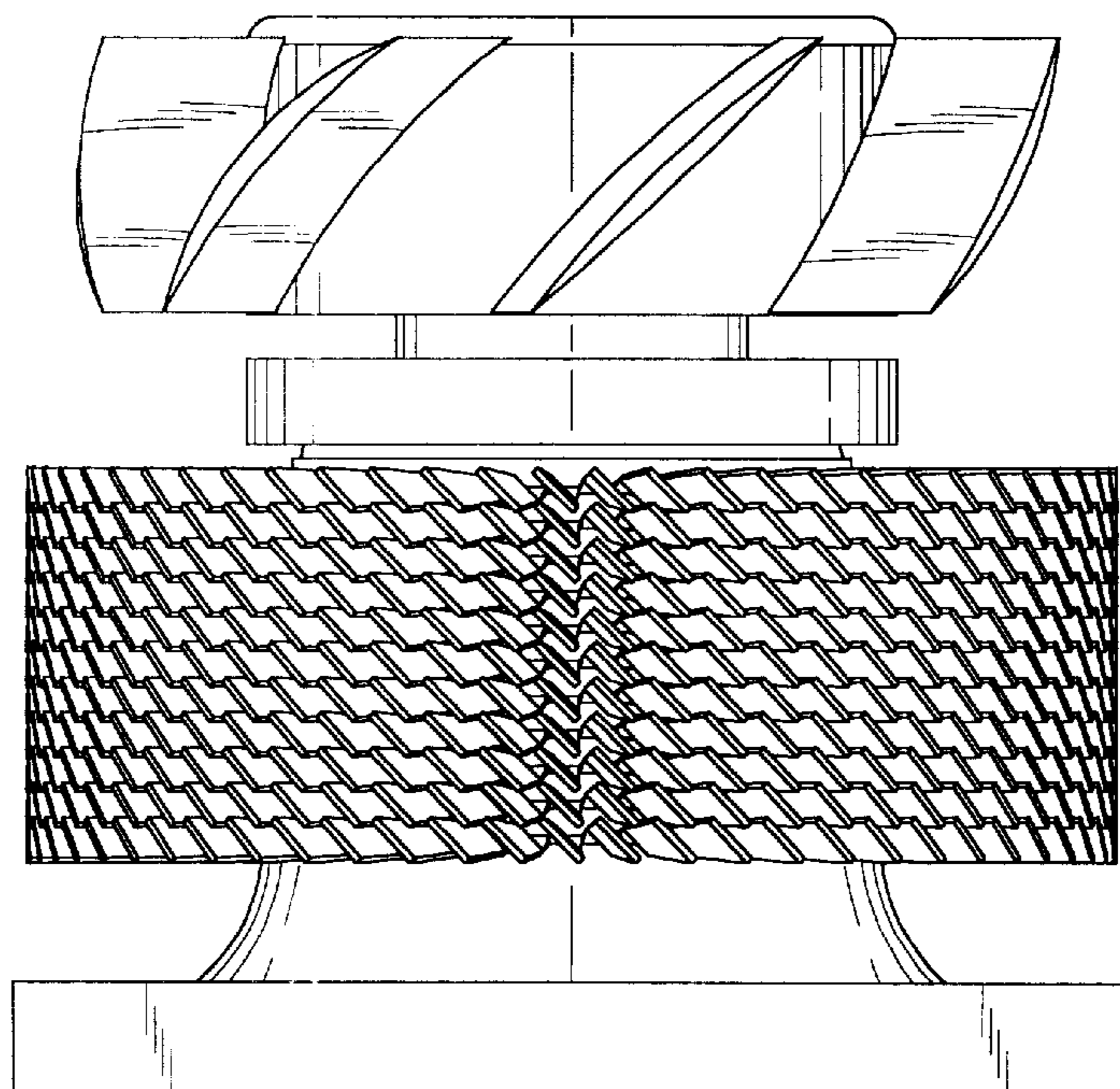


FIG. 6