



US00D454945S

(12) **United States Design Patent**
Choi

(10) **Patent No.:** **US D454,945 S**

(45) **Date of Patent:** **** Mar. 26, 2002**

(54) **ELECTRIC HEATER**

(75) Inventor: **Gun-Young Choi**, Incheo-shi (KR)

(73) Assignees: **IC Tech Co., Ltd.; Key-Young Choi**,
both of (KR)

(**) Term: **14 Years**

(21) Appl. No.: **29/135,425**

(22) Filed: **Jan. 11, 2001**

(51) **LOC (7) Cl.** **23-03**

(52) **U.S. Cl.** **D23/336; D23/337; D23/382**

(58) **Field of Search** **D23/332, 335-341,**
D23/381, 382; 312/236; 392/373-6, 365-9,
422-5, 376

(56) **References Cited**

U.S. PATENT DOCUMENTS

D111,681 S	*	10/1938	Janca	
2,334,501 A	*	11/1943	Moeller	
D385,022 S	*	10/1997	Glenn et al.	D23/337
D412,565 S	*	8/1999	Lee	D23/332
D413,660 S	*	9/1999	Lee	D23/332
6,215,956 B1	*	4/2001	Lee	392/440

* cited by examiner

Primary Examiner—B. J. Bullock

(74) *Attorney, Agent, or Firm*—Sheridan Ross P.C.

(57) **CLAIM**

The ornamental design for an electric heater, as shown and described.

DESCRIPTION

FIG. 1 is a right perspective view of an electric heater showing my new design;

FIG. 2 is a front elevation view of the invention illustrated in FIG. 1;

FIG. 3 is a rear elevation view of the invention illustrated in FIG. 1;

FIG. 4 is a left elevation view of the invention illustrated in FIG. 1;

FIG. 5 is right elevation view of the invention illustrated in FIG. 1;

FIG. 6 is a top plan view of the invention illustrated in FIG. 1; and,

FIG. 7 is a bottom plan view of the invention illustrated in FIG. 1.

1 Claim, 6 Drawing Sheets

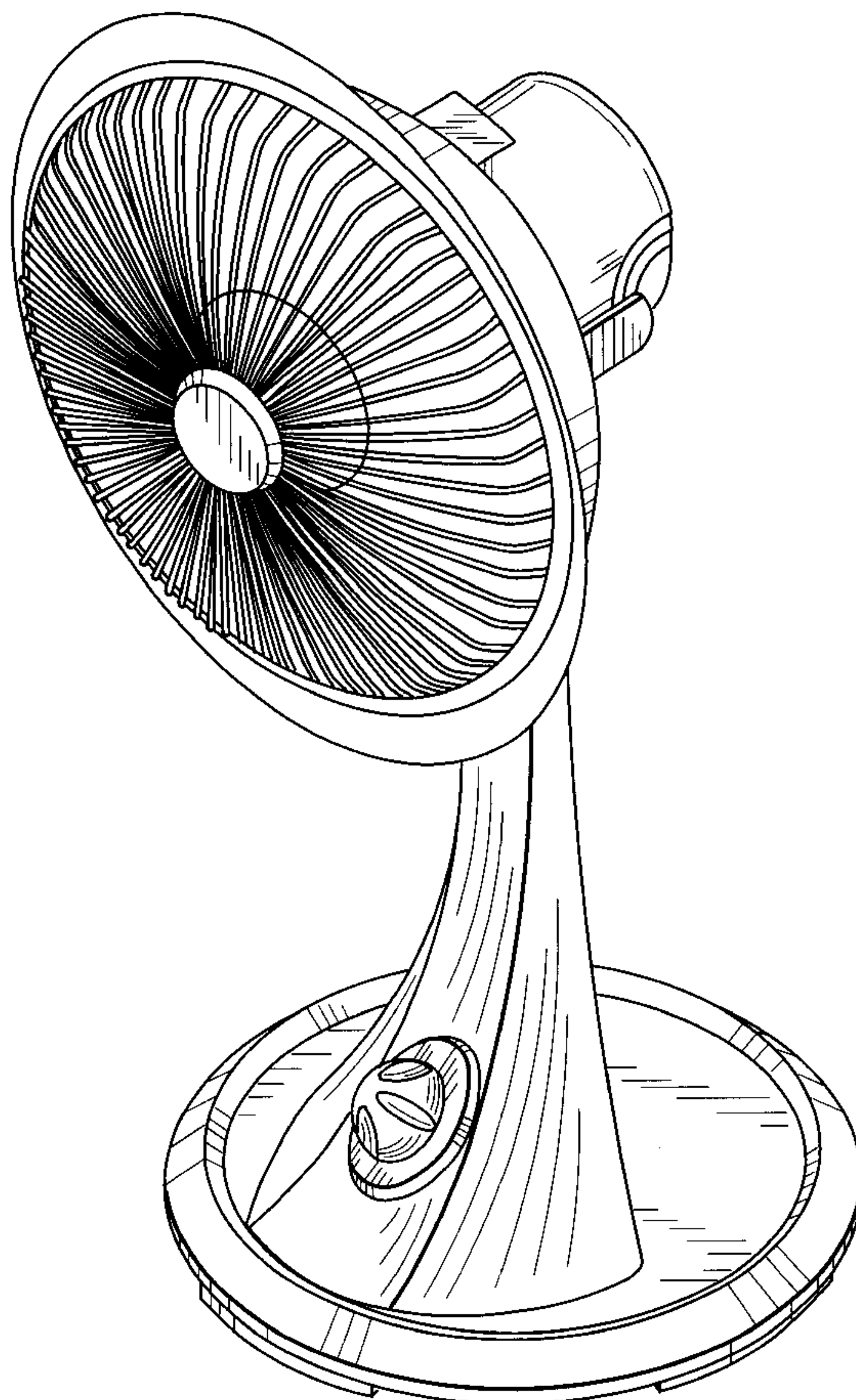


Fig. 1

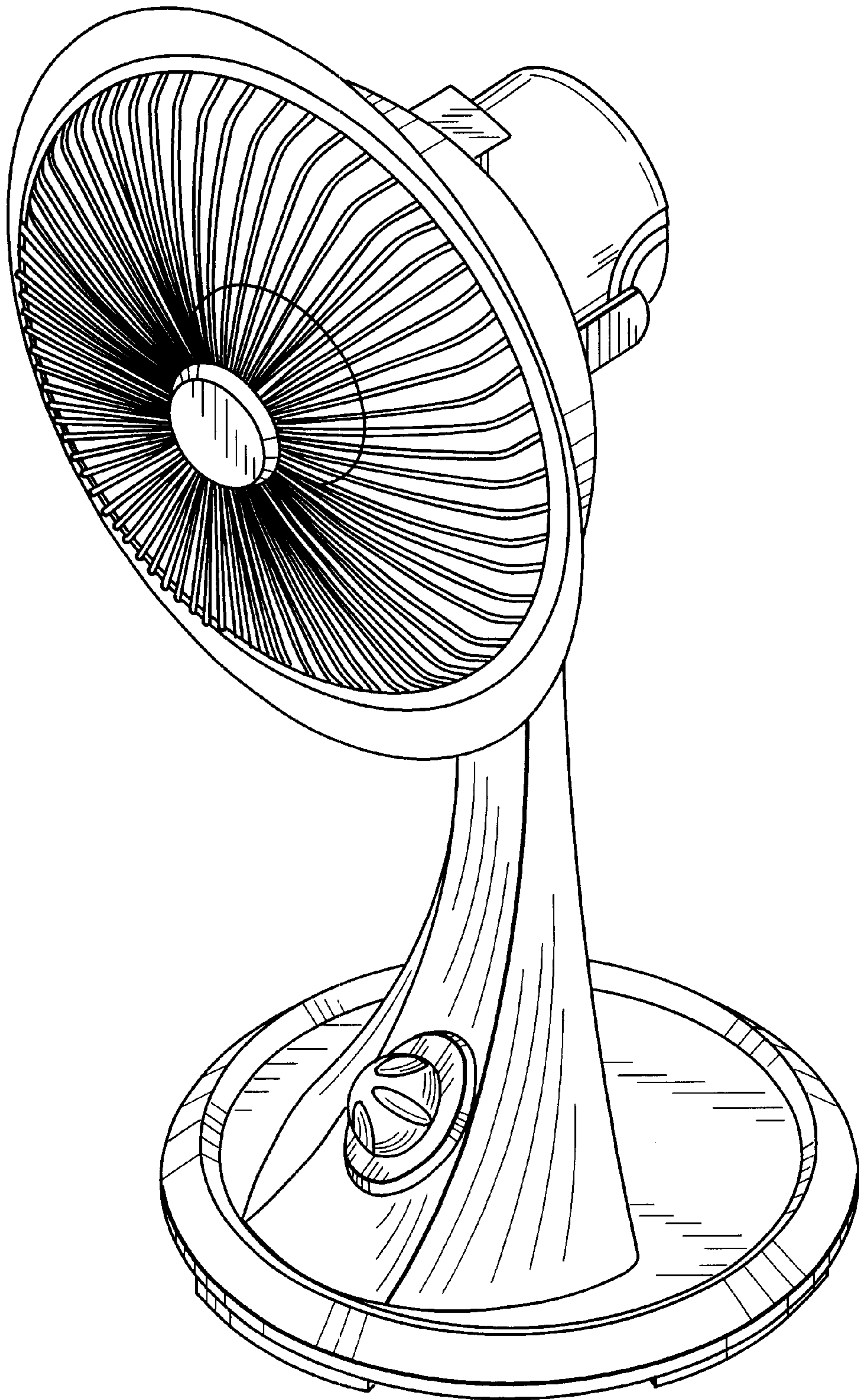


Fig. 2

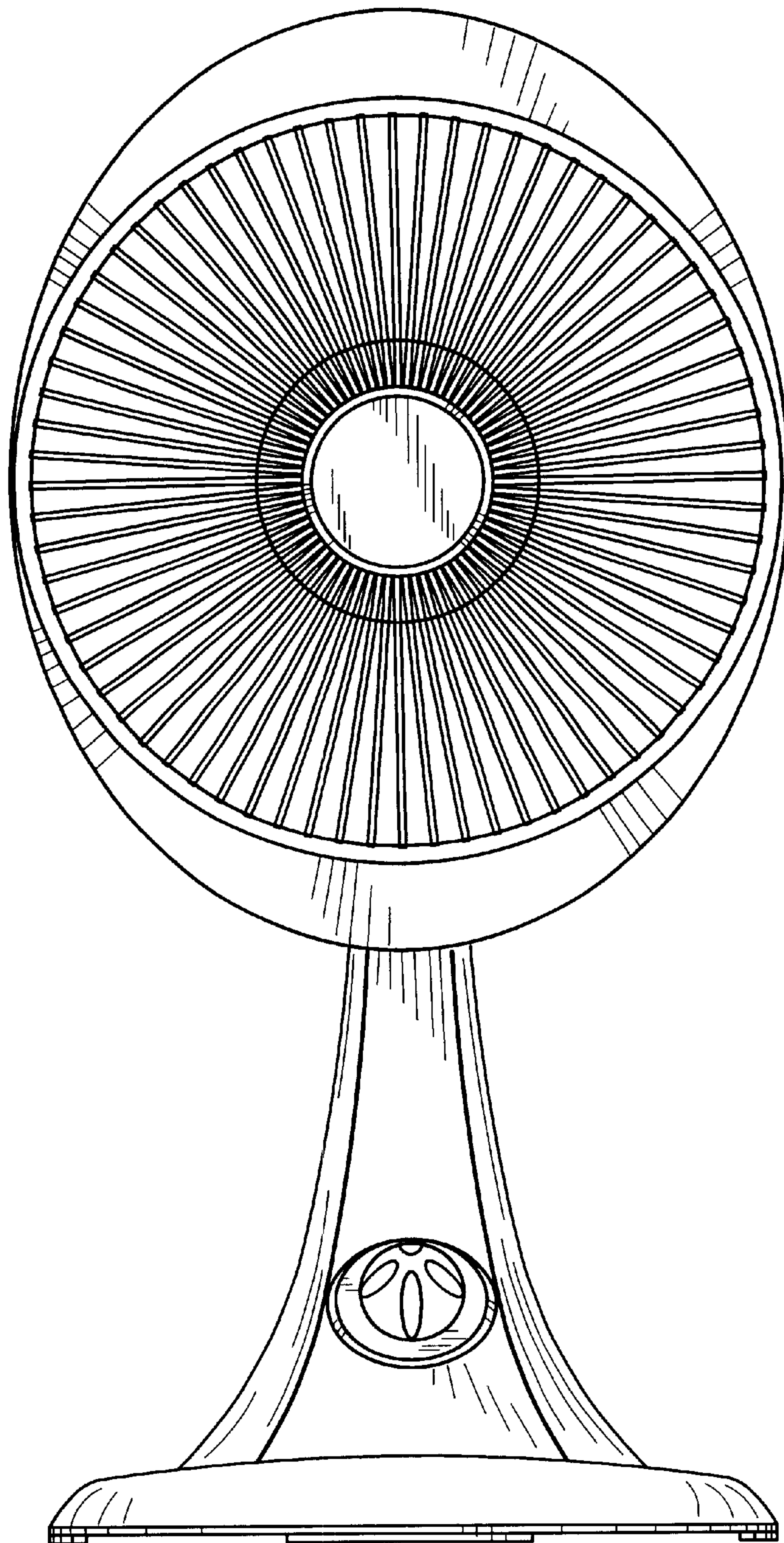


Fig. 3

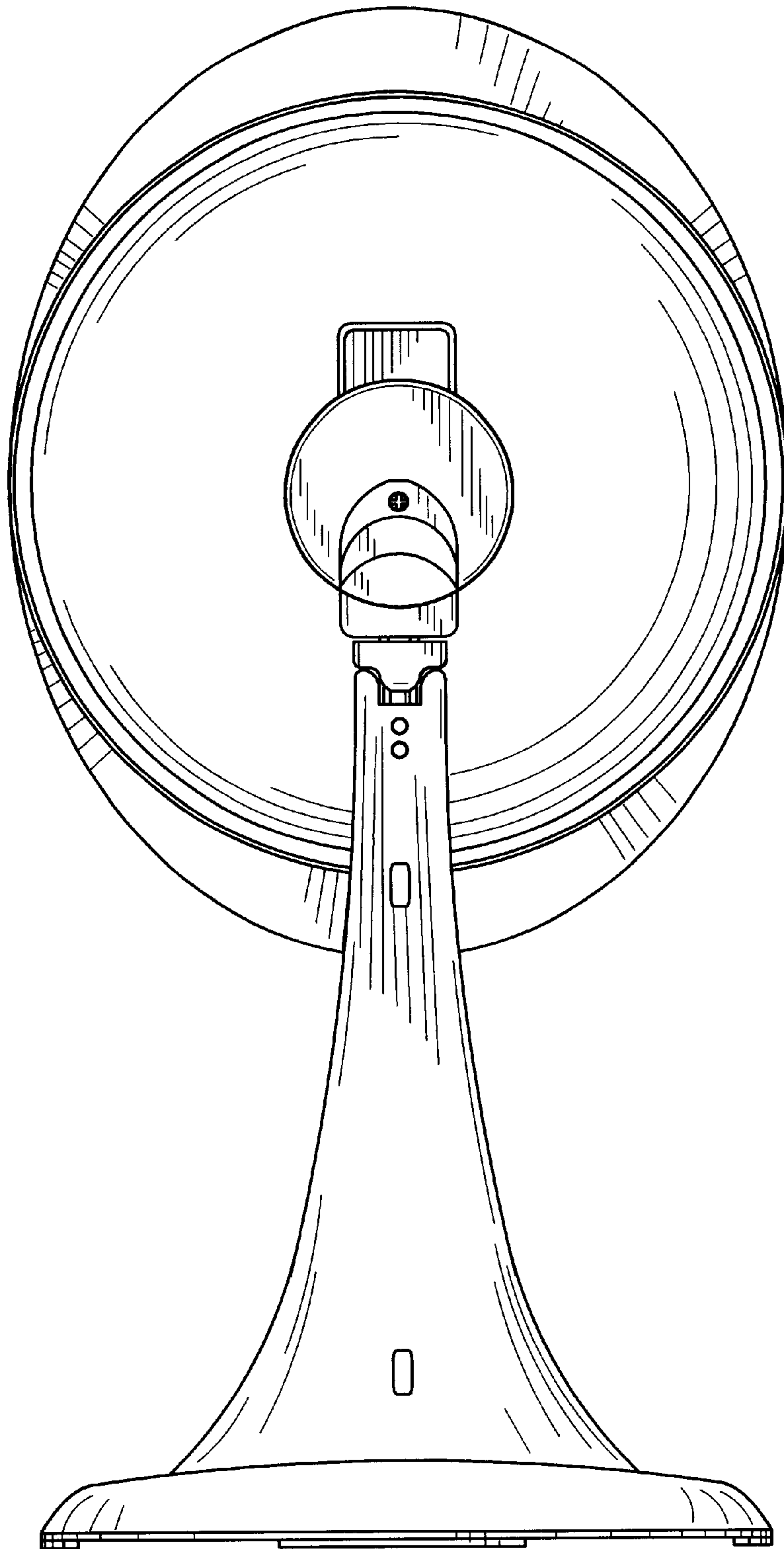


Fig. 4

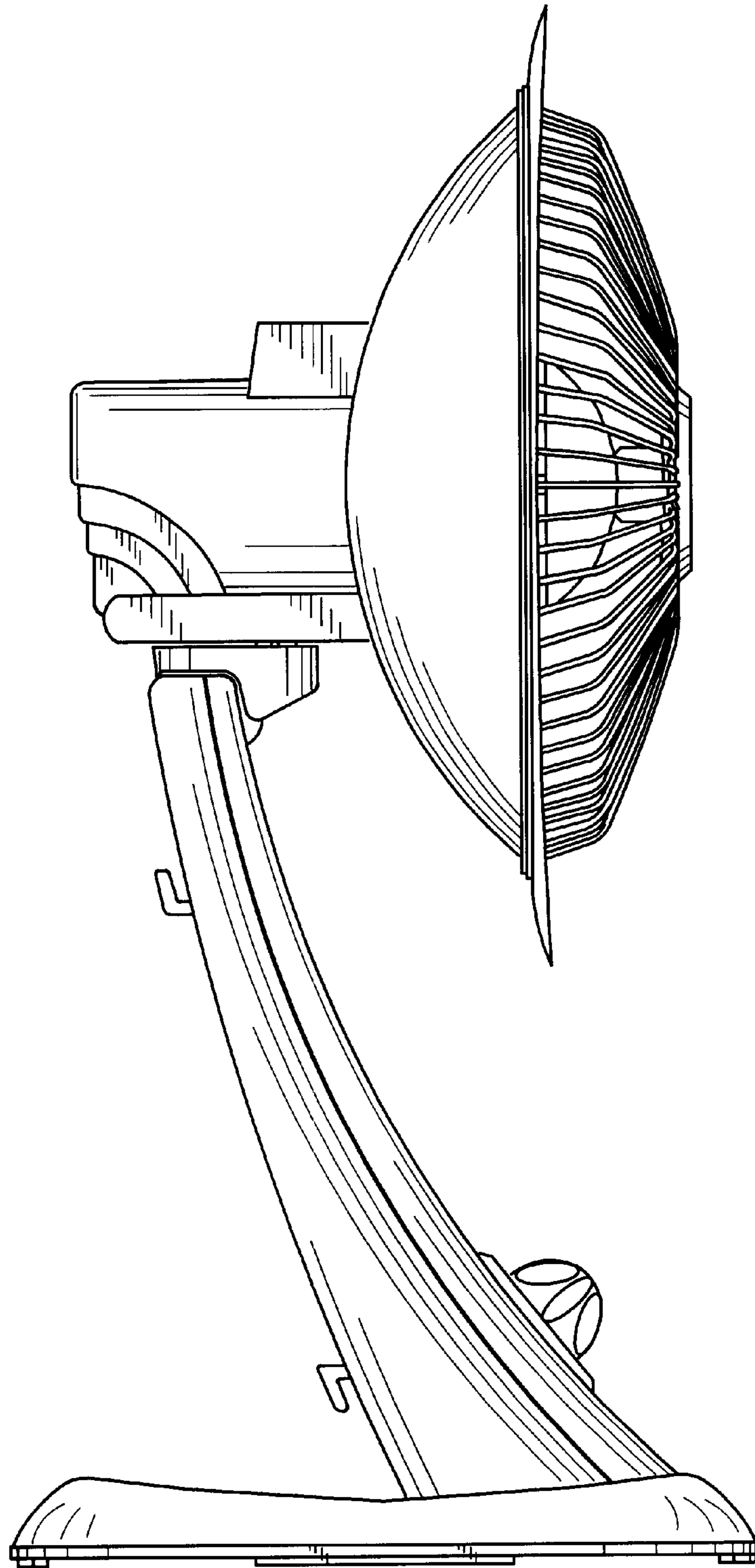


Fig. 5

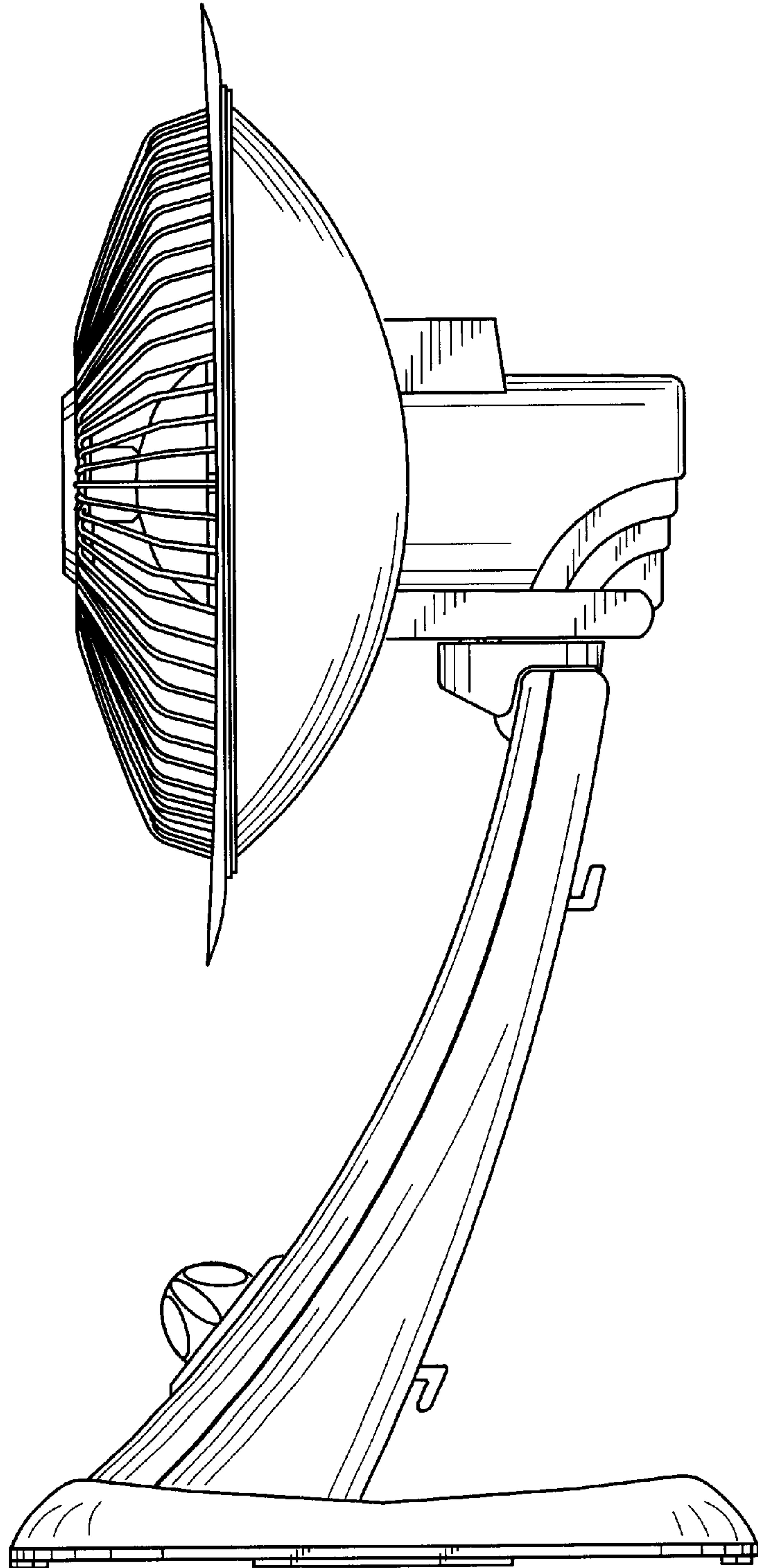


Fig. 6

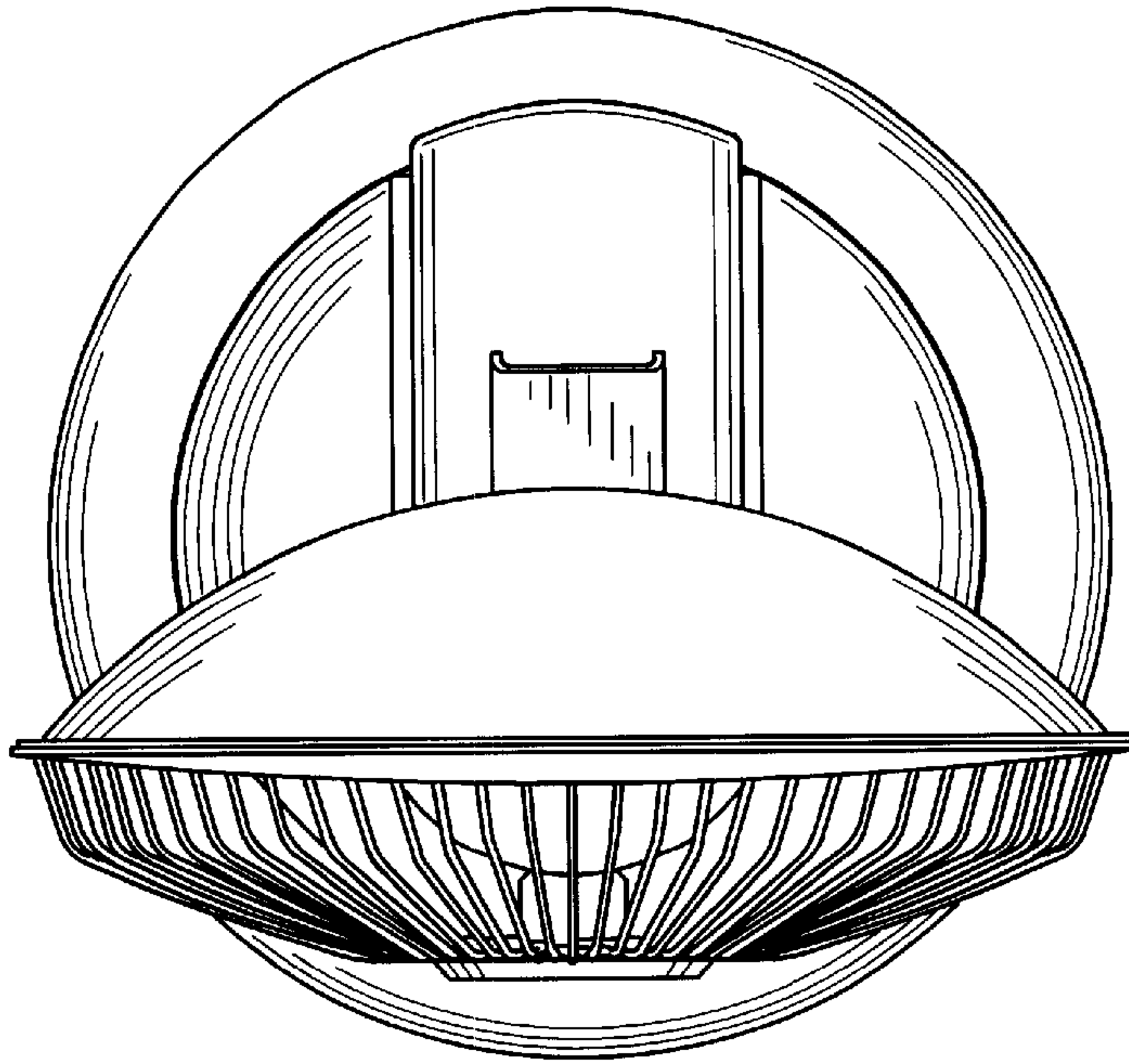


Fig. 7

