



US00D454942S

(12) **United States Design Patent**
Selby

(10) **Patent No.:** **US D454,942 S**

(45) **Date of Patent:** **** Mar. 26, 2002**

(54) **SAFETY HOSE**

(75) Inventor: **William J. Selby**, Stoughton, MA (US)

(73) Assignee: **Samar Company, Inc.**, Stoughton, MA (US)

(**) Term: **14 Years**

(21) Appl. No.: **29/122,566**

(22) Filed: **Apr. 28, 2000**

(51) **LOC (7) Cl.** **23-01**

(52) **U.S. Cl.** **D23/266**

(58) **Field of Search** D23/266; 285/13,
285/14, 123.1, 133.4; 138/114

(56) **References Cited**

U.S. PATENT DOCUMENTS

4,349,049	A	*	9/1982	Silvey	138/114
D314,814	S	*	2/1991	Lubeck	D23/262
5,240,023	A	*	8/1993	Shelef et al.	285/316
5,988,226	A	*	11/1999	Matthews	138/109
6,039,066	A	*	3/2000	Selby	138/114

* cited by examiner

Primary Examiner—Robin V. Taylor

(74) *Attorney, Agent, or Firm*—Steven N. Fox, Esq.

(57) **CLAIM**

The ornamental design of a safety hose, as shown and described.

DESCRIPTION

FIG. 1 is a perspective view of the present invention;

FIG. 2 is a top plan view of the present invention;

FIG. 3 is a end elevational view of the present invention;

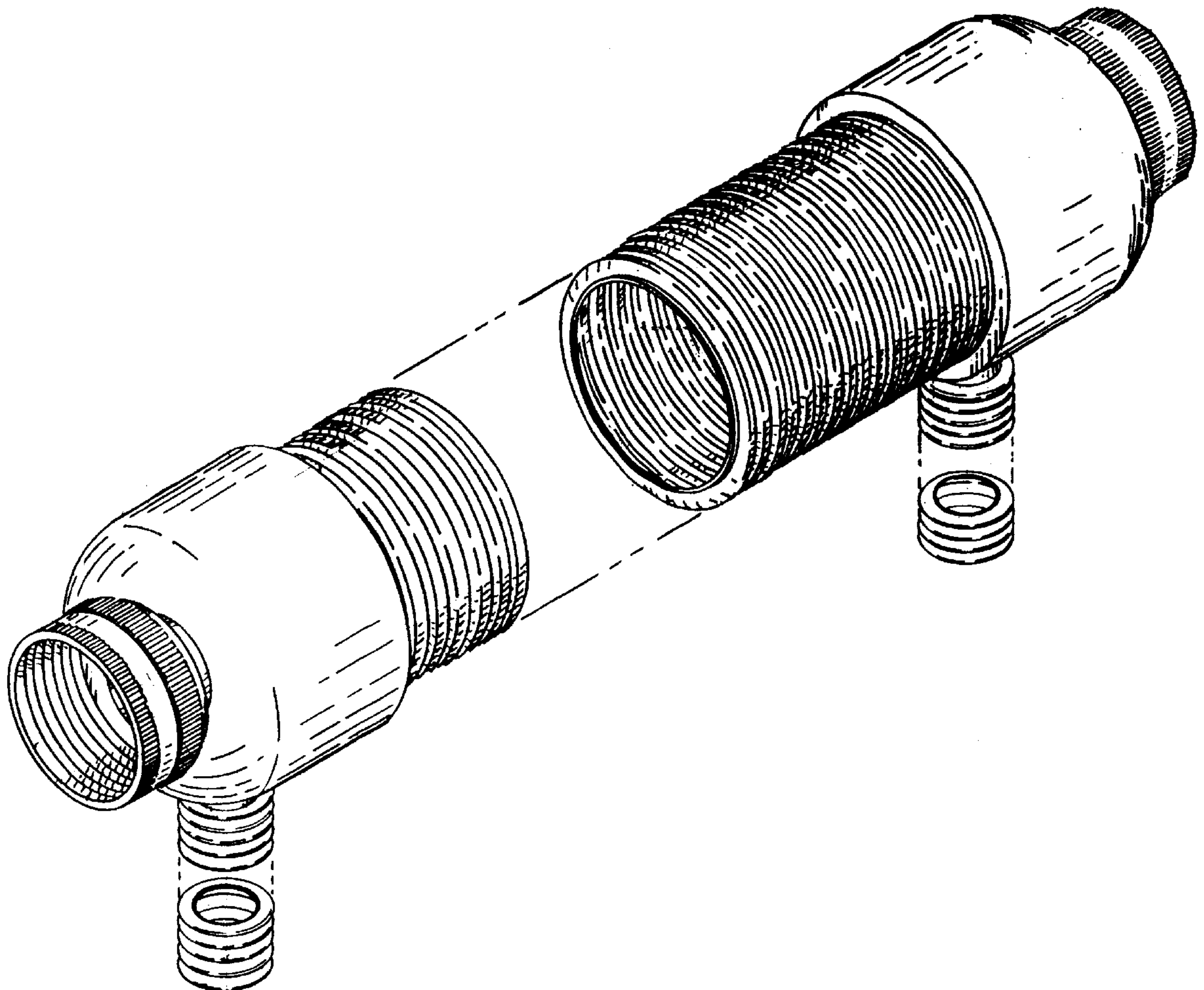
FIG. 4 is a front elevational view of the present invention; and,

FIG. 5 is a bottom view.

FIGS. 2–5 shows one end of the claimed design for clarity of illustration, it being understood that both ends are identical.

The claimed design is shown fragmented to indicate indeterminate length.

1 Claim, 2 Drawing Sheets



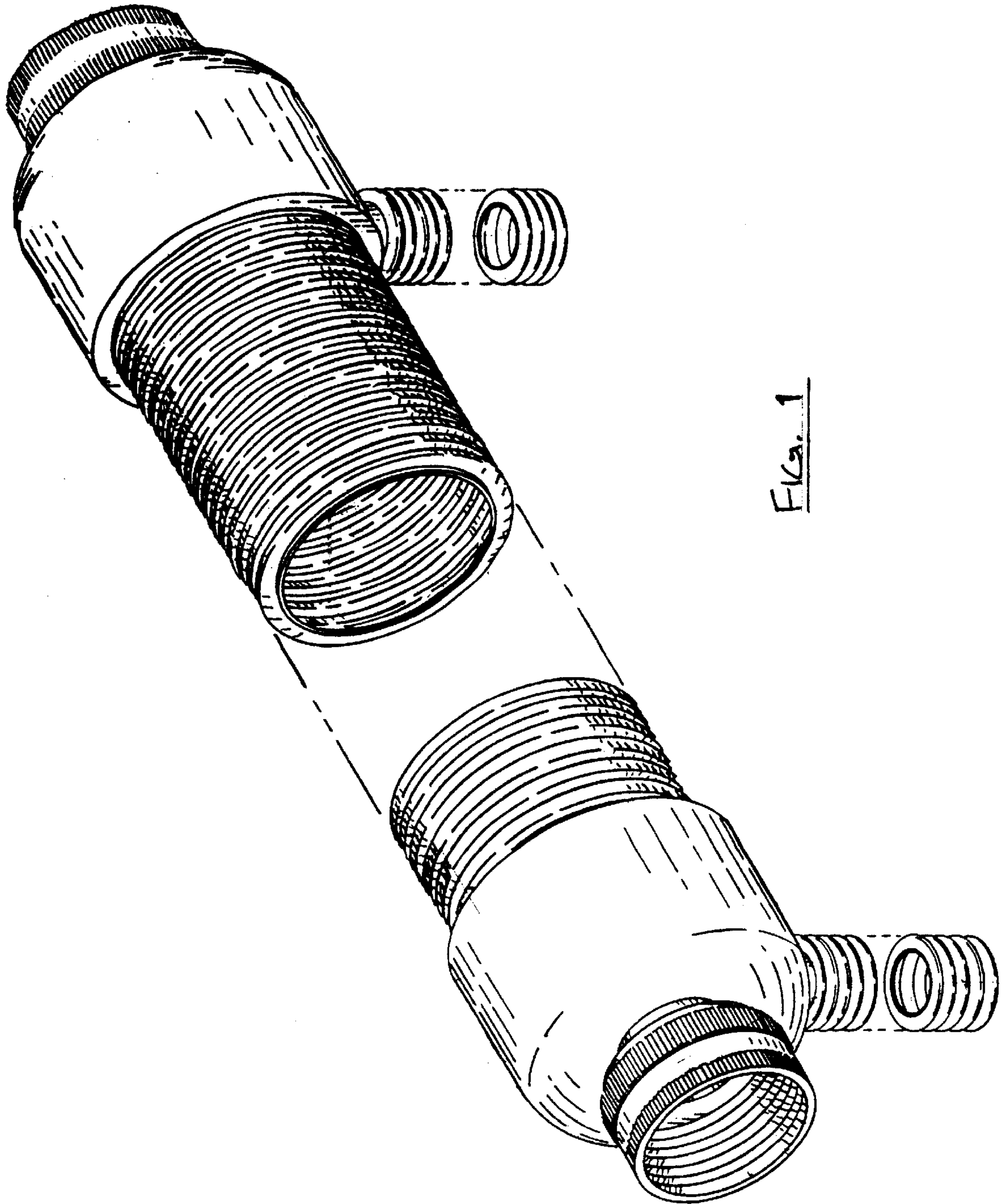


Fig. 1

FIG. 2

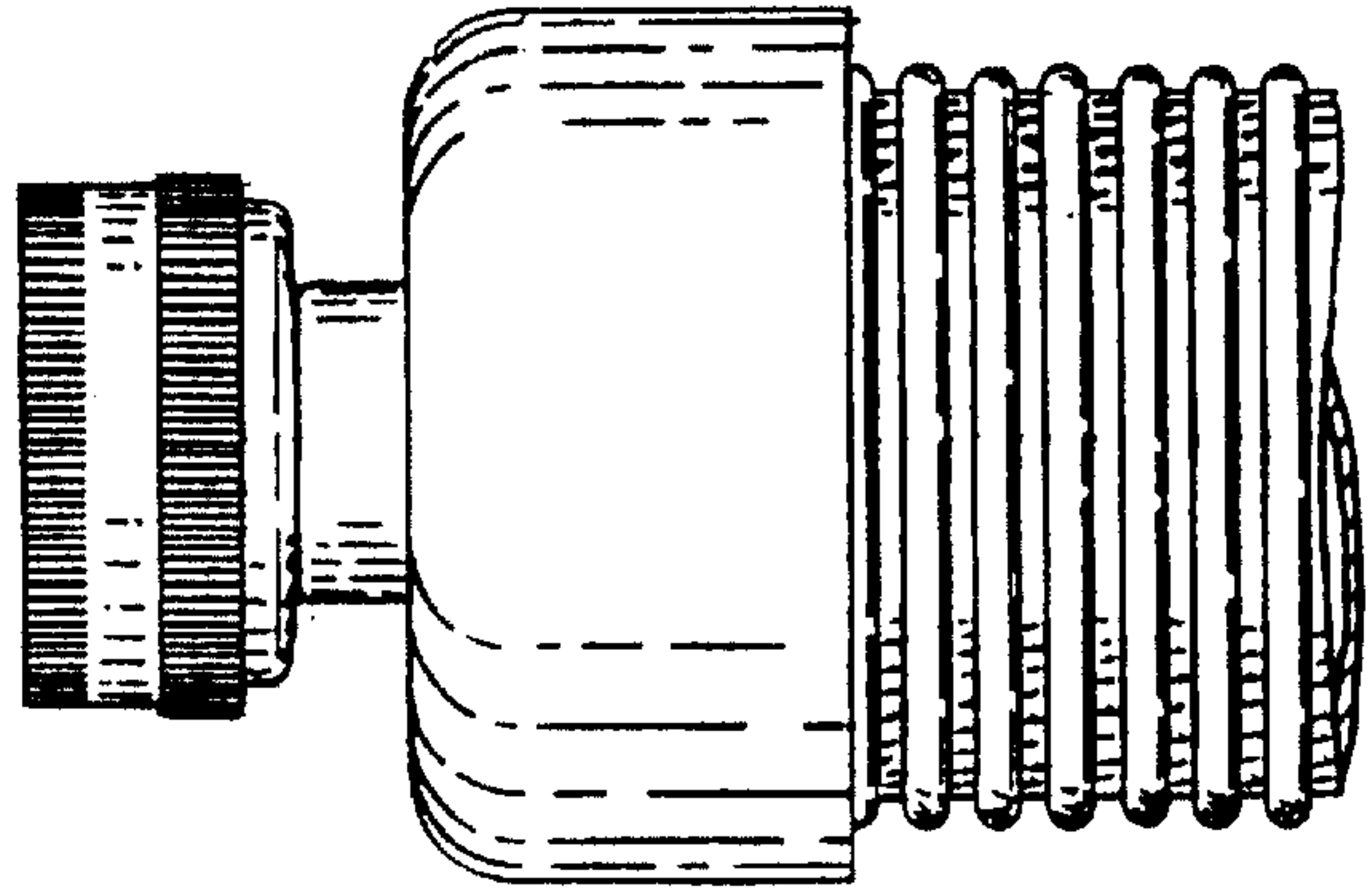


FIG. 3

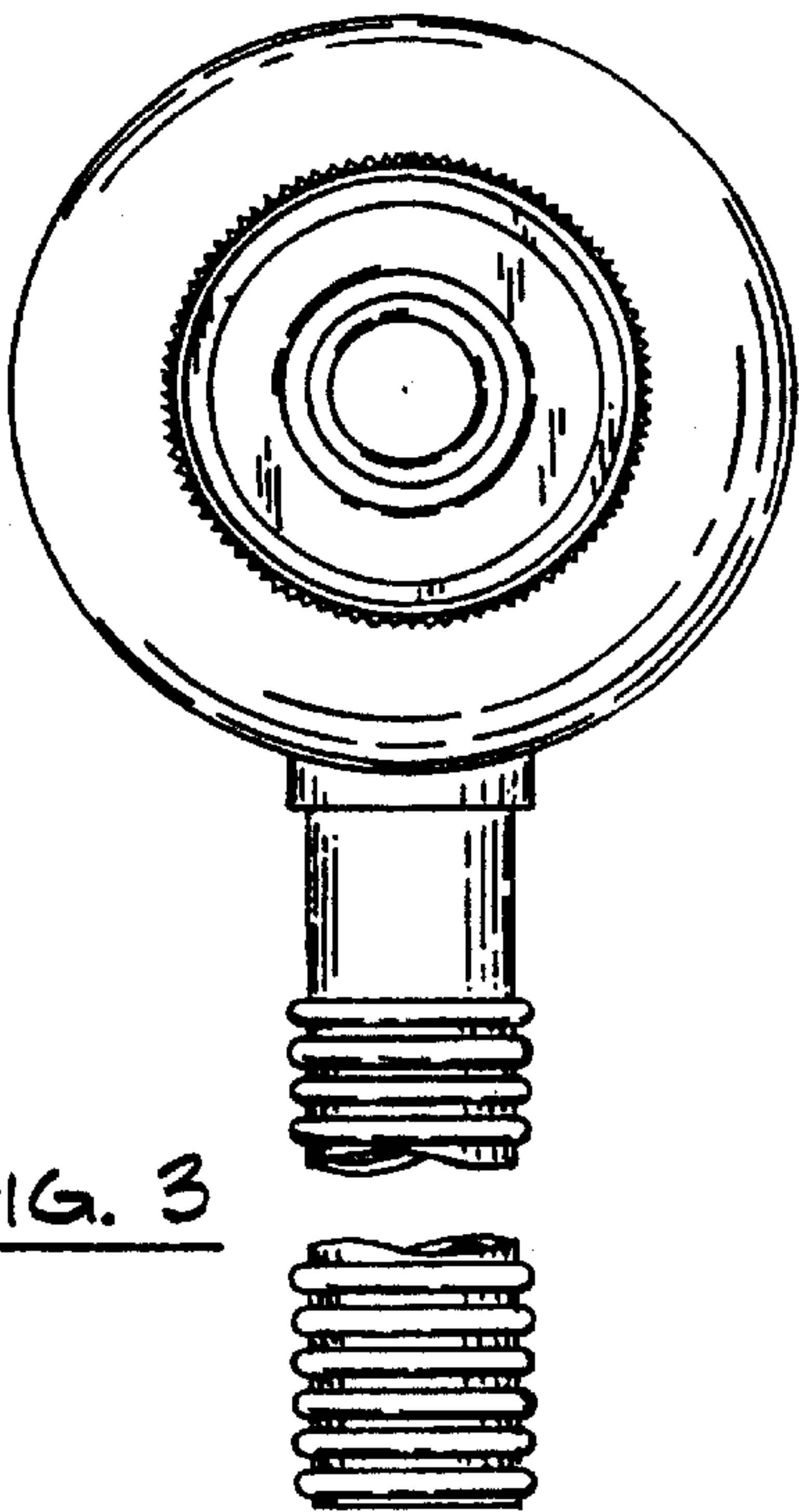


FIG. 4

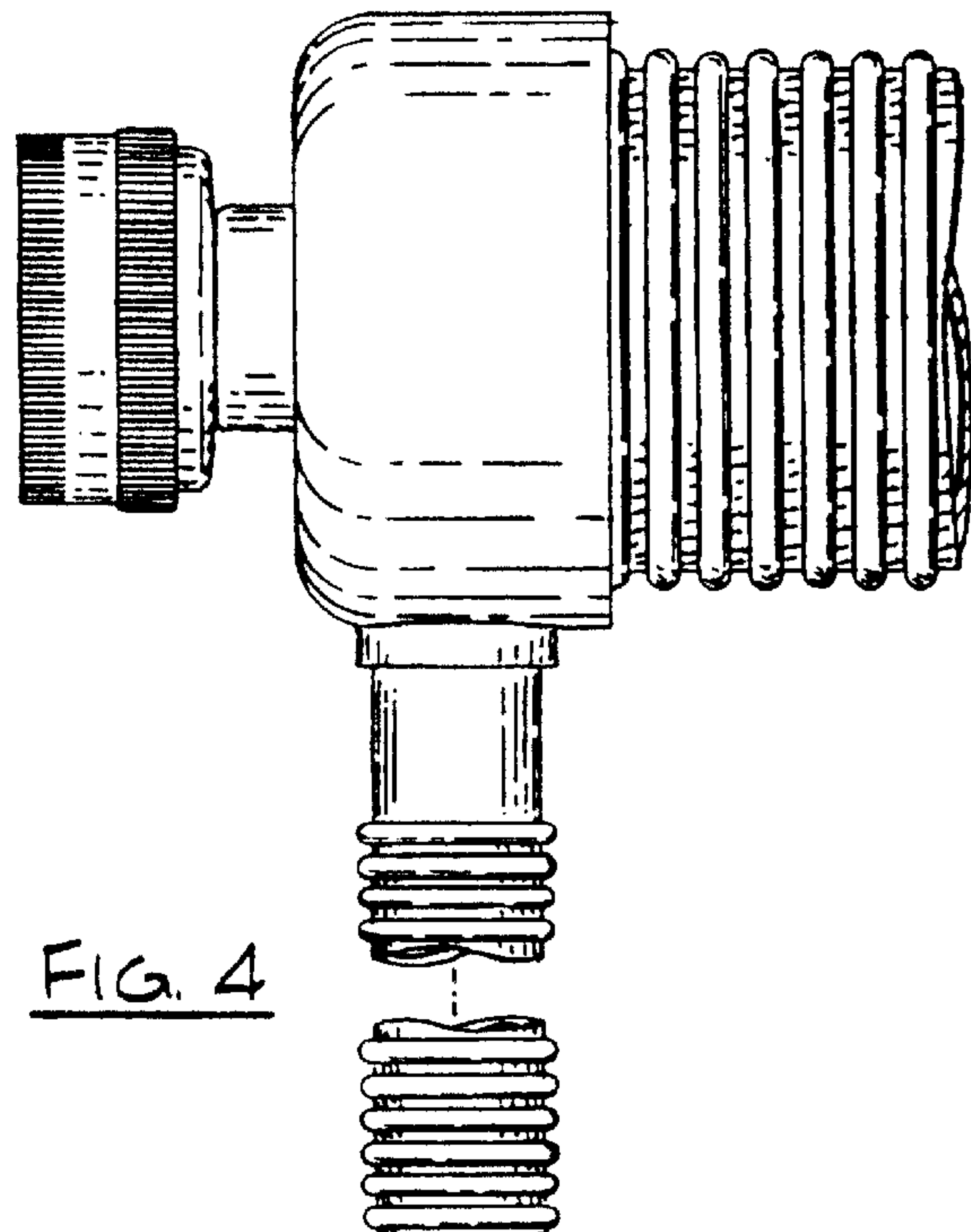


FIG. 5

