



US00D454941S

(12) **United States Design Patent**
Dietzel

(10) **Patent No.:** **US D454,941 S**

(45) **Date of Patent:** **** Mar. 26, 2002**

(54) **HOSE CONNECTOR**

EP 0 018 195 10/1980
FR 1495499 9/1967

(76) Inventor: **Klaus Dietzel**, Pulverturmstrasse 2,
Goch. (DE), 47574

* cited by examiner

(**) Term: **14 Years**

Primary Examiner—Robin V. Taylor
(74) *Attorney, Agent, or Firm*—Jacobson Holman, PLLC

(21) Appl. No.: **29/077,278**

(22) Filed: **Oct. 1, 1997**

(57) **CLAIM**

(30) **Foreign Application Priority Data**

The ornamental design for a hose connector, as shown and described.

Apr. 1, 1997 (DE) M 97 03 091

DESCRIPTION

(51) **LOC (7) Cl.** **23-01**

(52) **U.S. Cl.** **D23/262**

(58) **Field of Search** D23/259, 260,
D23/261, 262, 265; 138/109; 285/148.17,
148.25, 222.3, 253, 336, 148.13, 125.1

FIG. 1 is a front perspective view showing my new design for a hose connector, the remainder of the hose connection included in this Figure is for illustrative purposes only, forming no part of the claimed design;

FIG. 2 is a top, rear perspective view thereof,

FIG. 3 is a bottom, rear perspective view thereof,

FIG. 4 is a rear perspective view thereof,

FIG. 5 is a front perspective view of an alternate embodiment, the remainder of the hose connection included in this Figure is for illustrative purposes only, forming no part of the claimed design;

FIG. 6 is a top, rear perspective view thereof,

FIG. 7 is a bottom, front perspective view thereof; and,

FIG. 8 is an inverted top, front perspective view thereof.

(56) **References Cited**

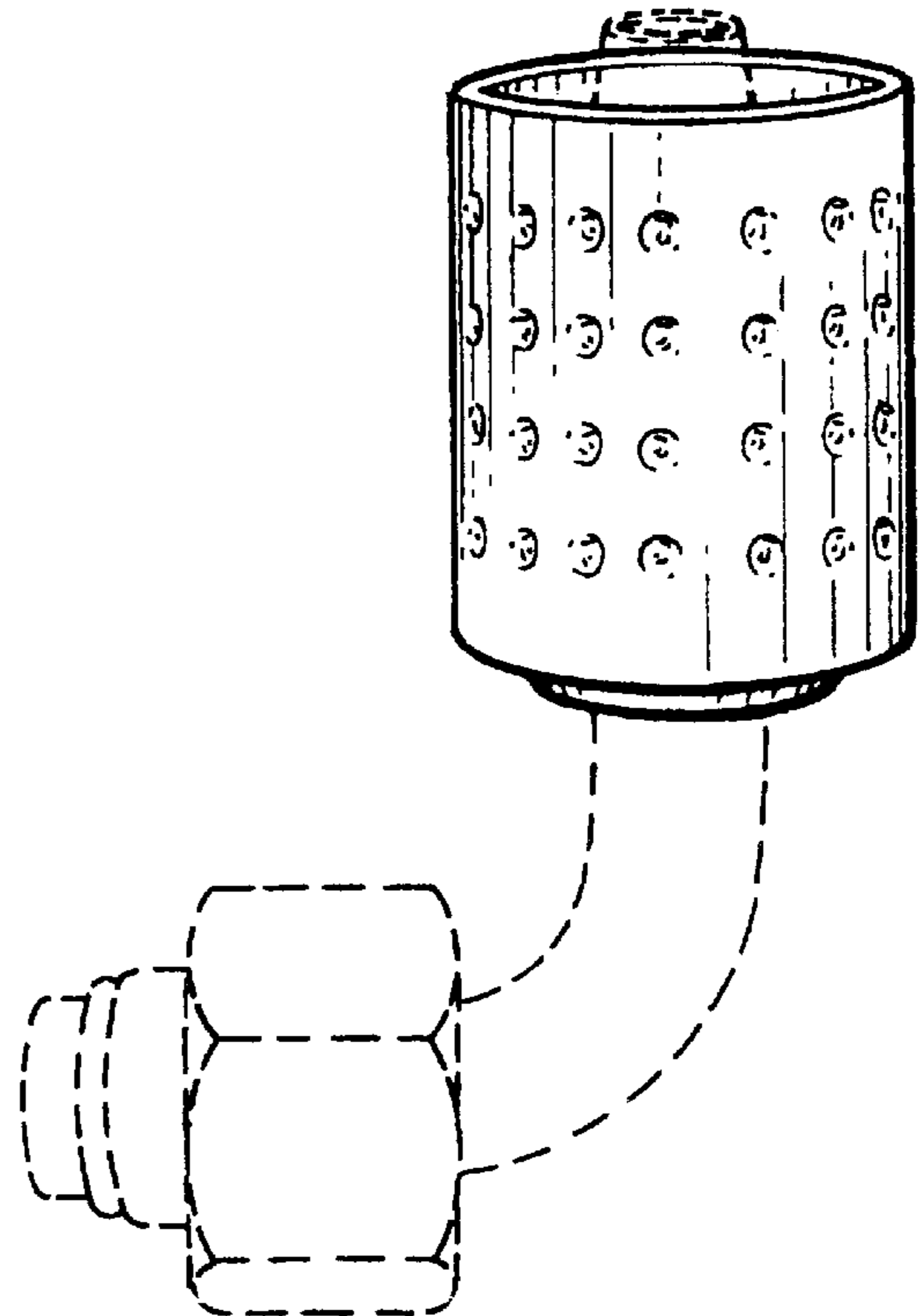
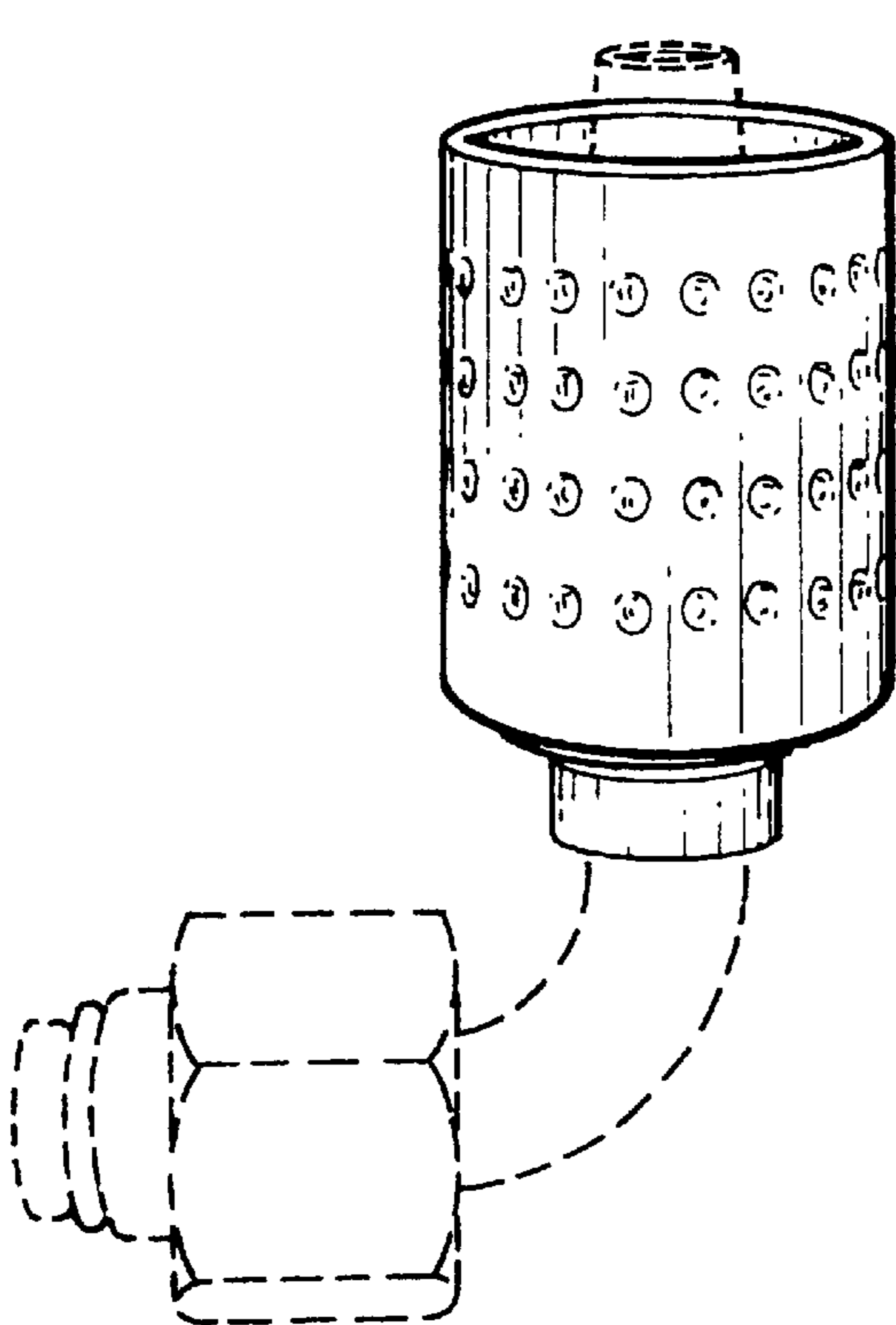
U.S. PATENT DOCUMENTS

888,576 A * 5/1908 Bartholomew 285/125.1
976,030 A * 11/1910 Bispham 138/109
2,273,398 A * 2/1942 Couty et al. 285/222.3
3,017,203 A 1/1962 MacLeod
3,472,536 A * 10/1969 Ingram 285/148.17
3,530,900 A 9/1970 Kish
4,009,988 A * 3/1977 Duperow et al. 285/148.13

FOREIGN PATENT DOCUMENTS

DE 196 39 794 4/1998

1 Claim, 2 Drawing Sheets



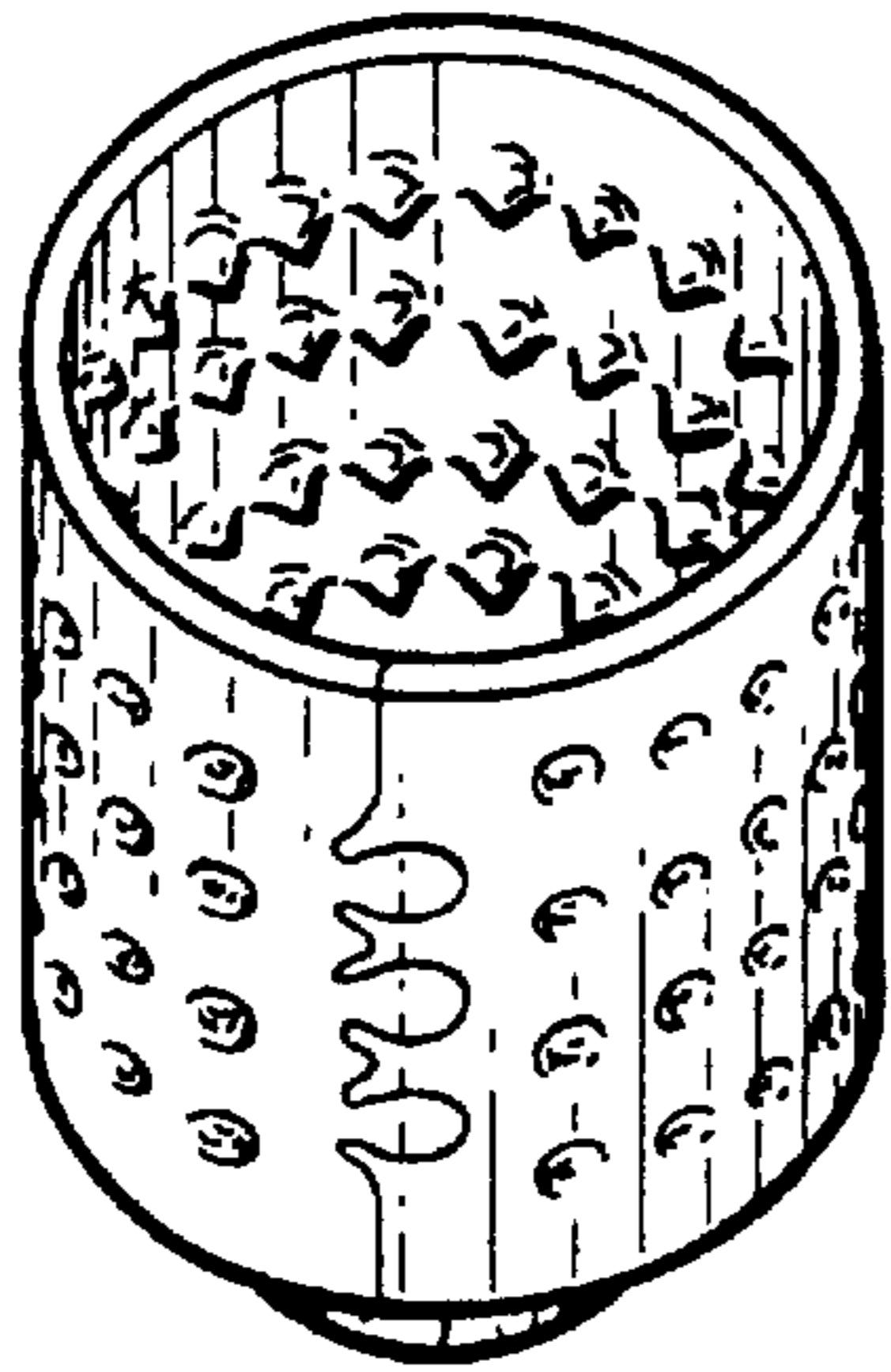


FIG. 2

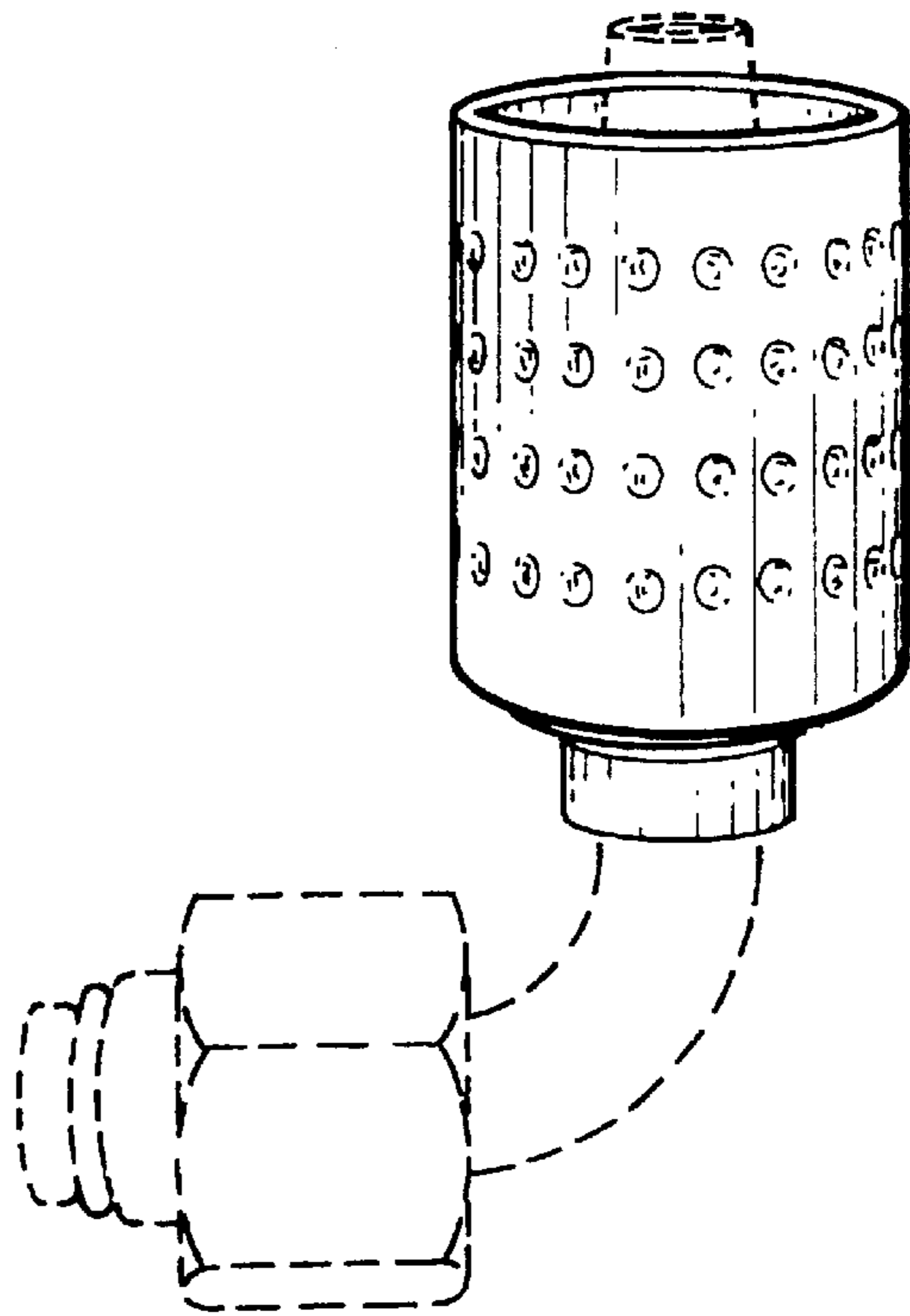


FIG. 1

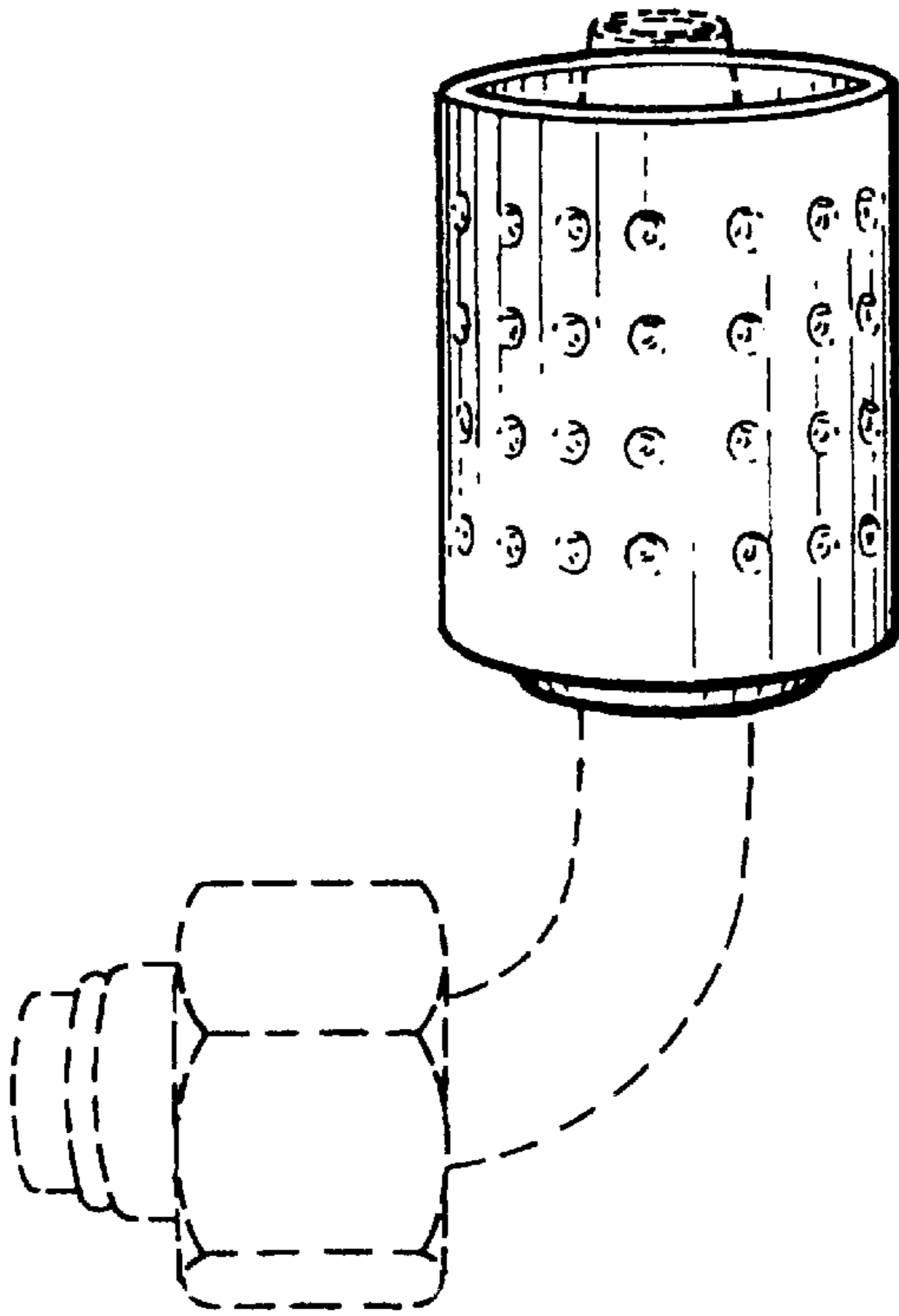


FIG. 5

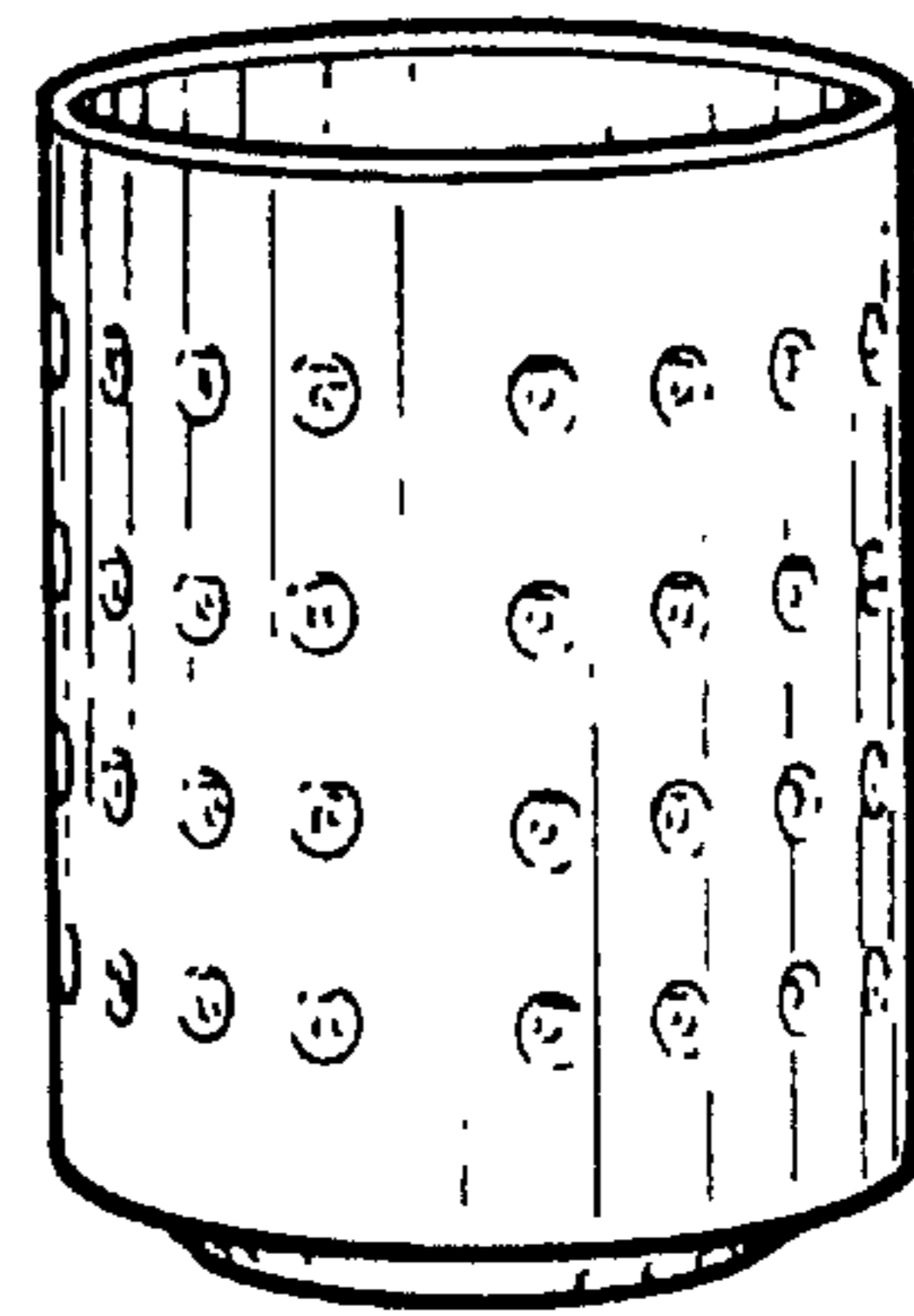


FIG. 6

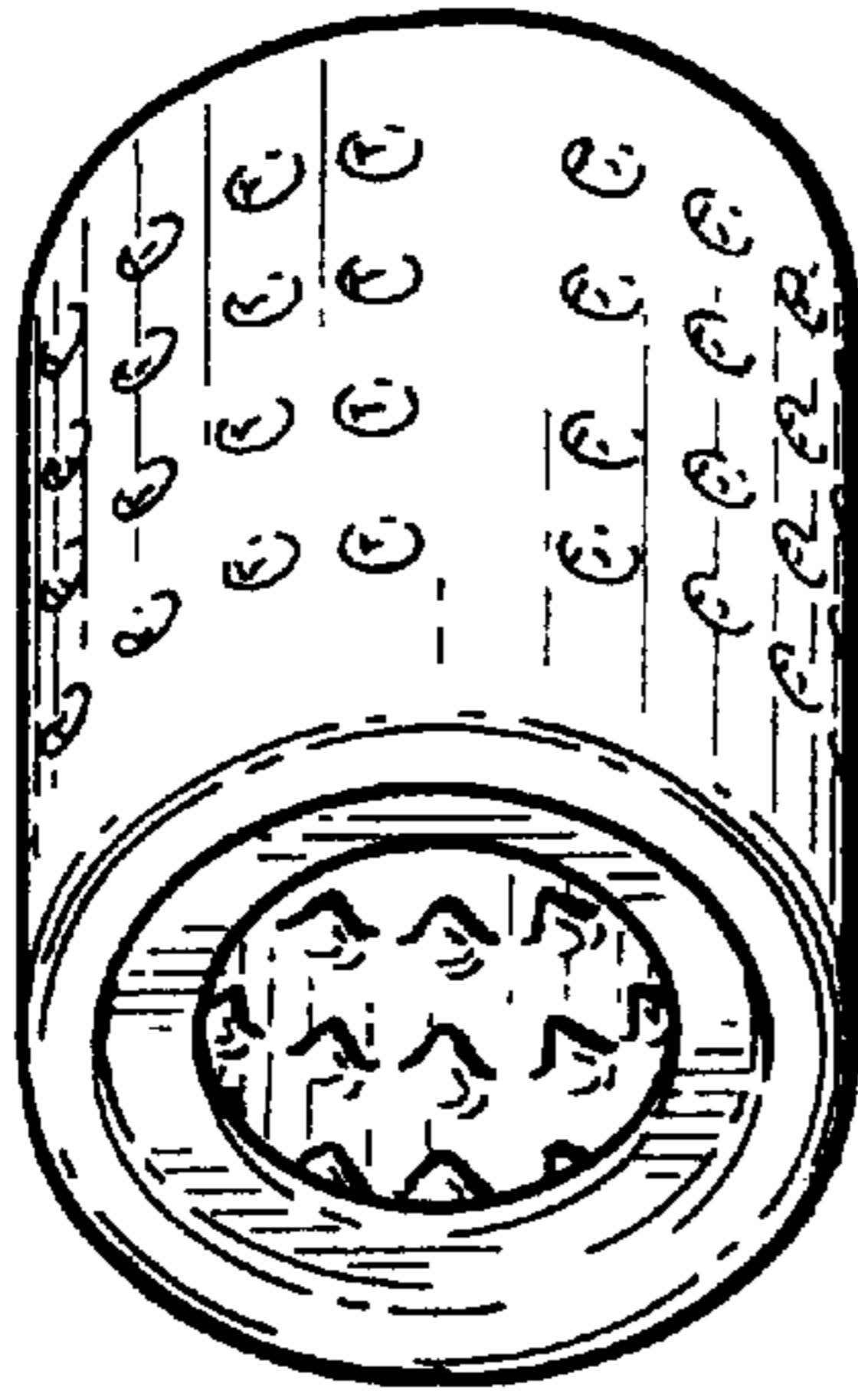


FIG. 7

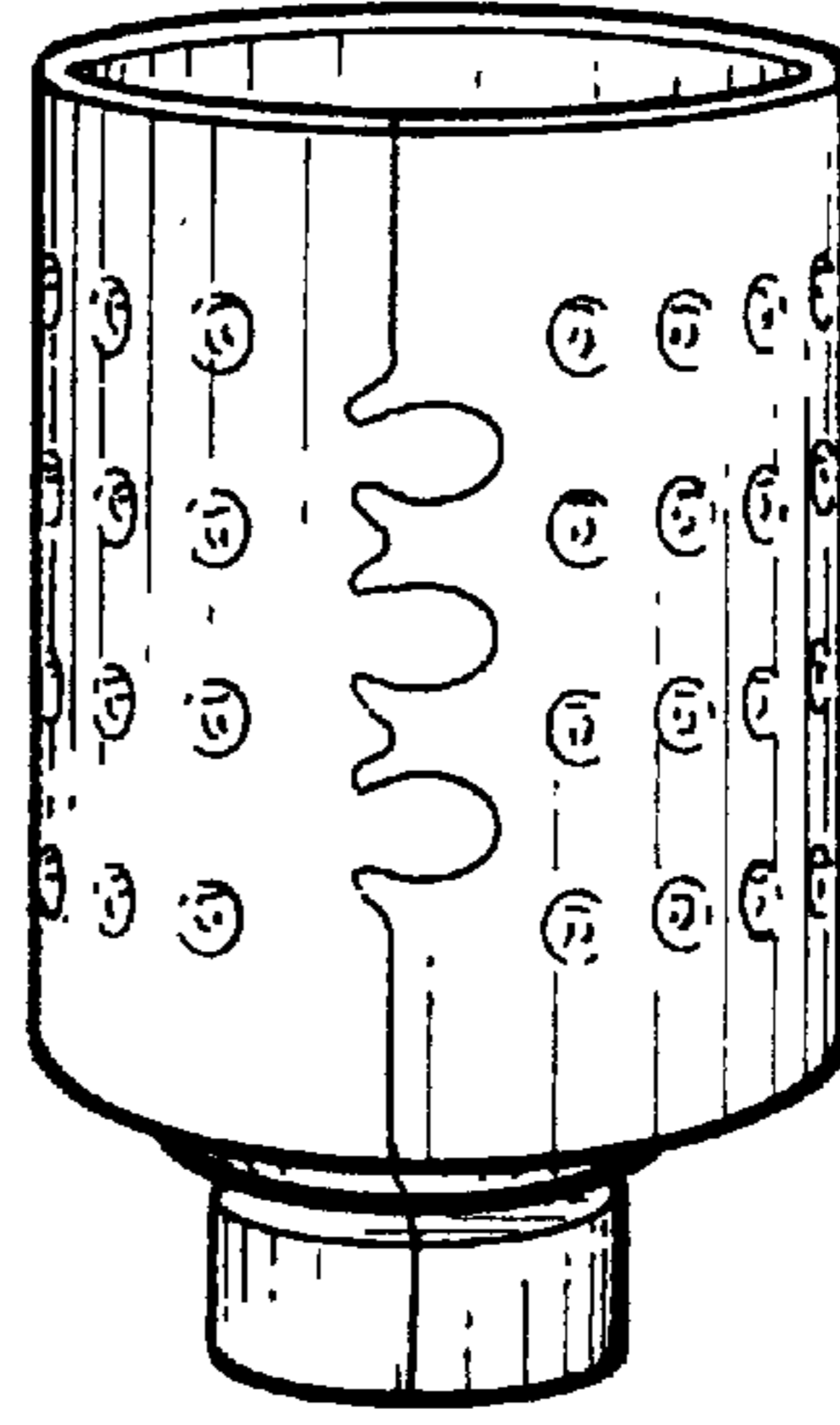


FIG. 4

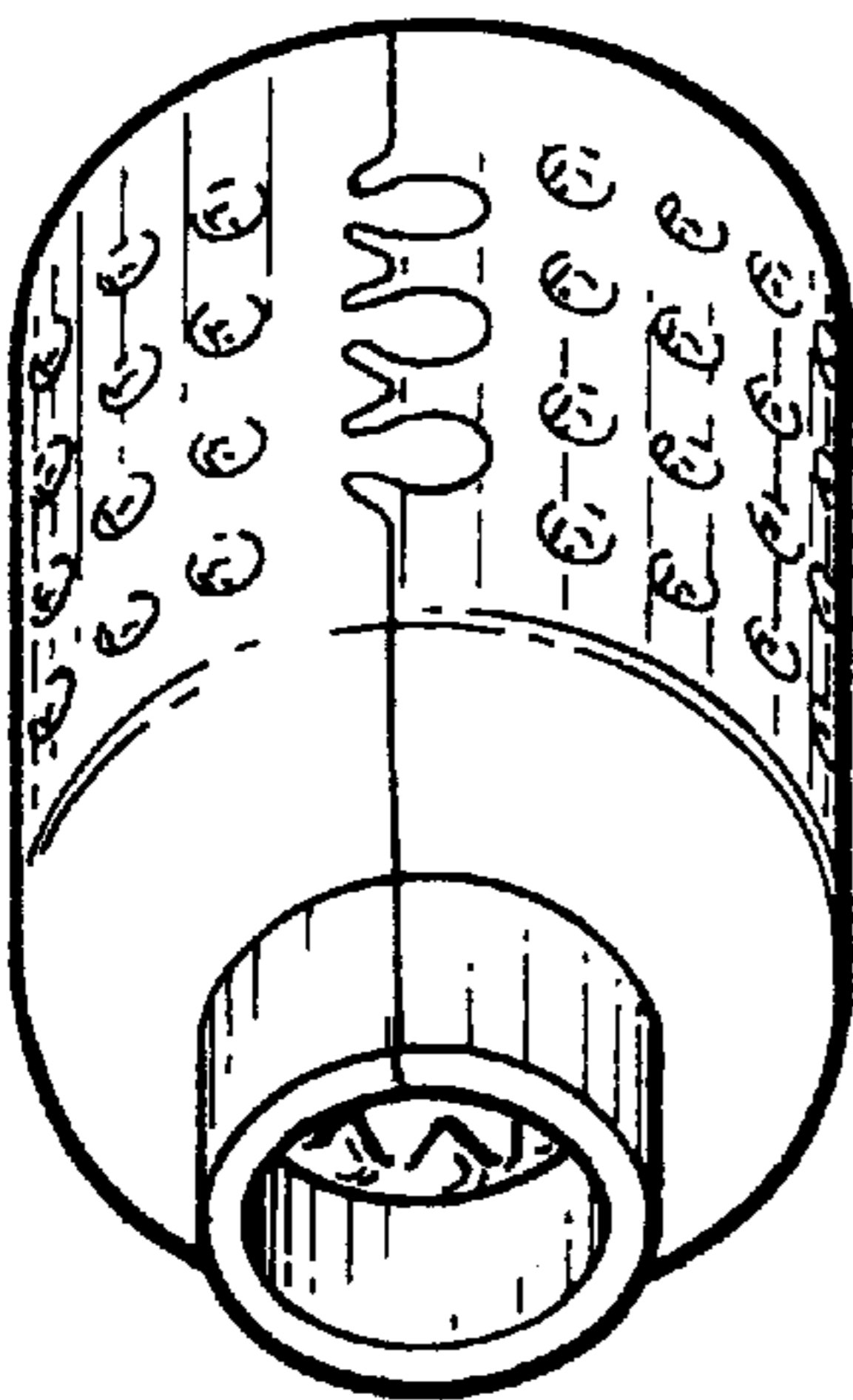


FIG. 3

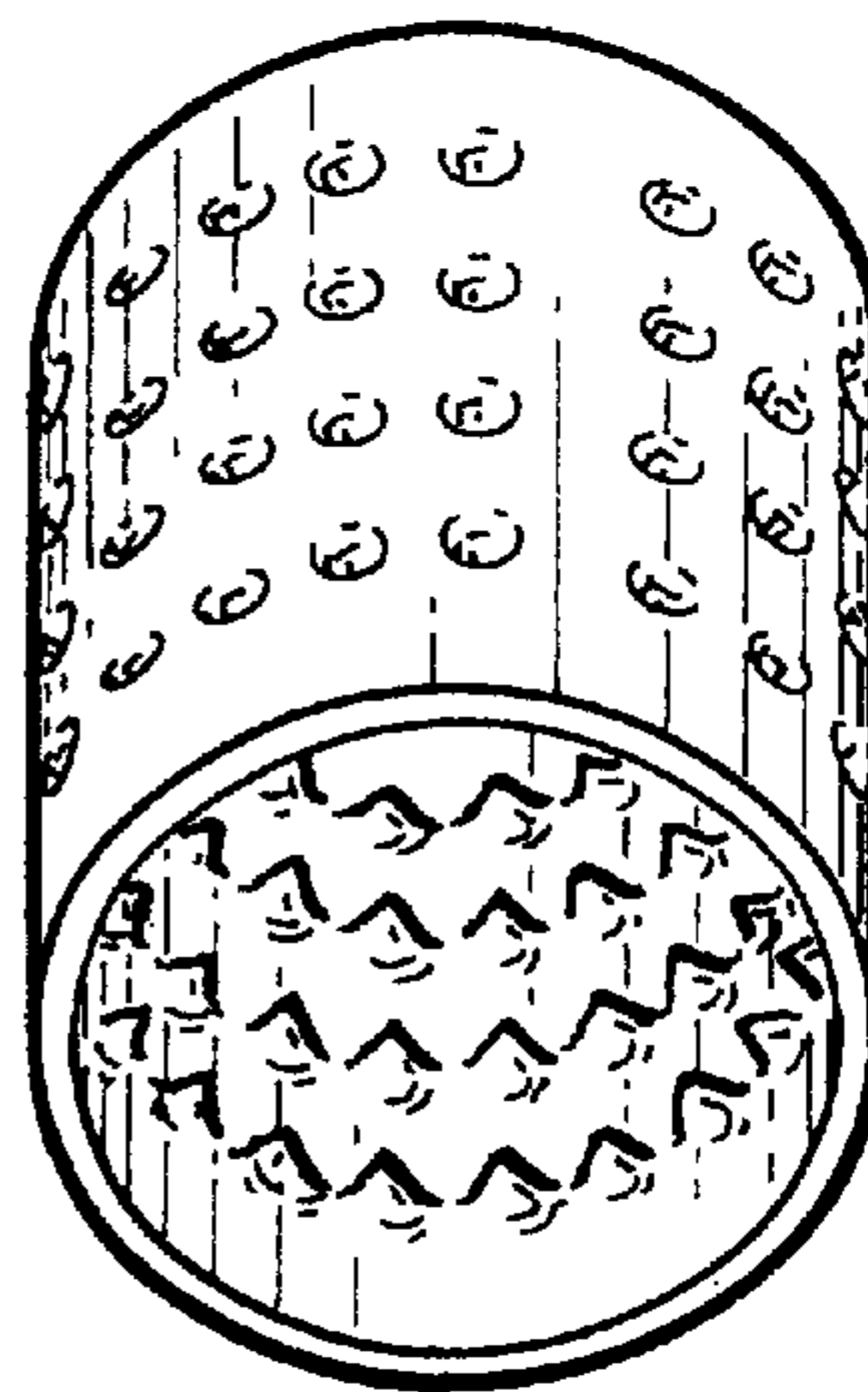


FIG. 8