



US00D454940S

(12) **United States Design Patent**
Hoenig

(10) **Patent No.:** **US D454,940 S**

(45) **Date of Patent:** **** Mar. 26, 2002**

(54) **FLUID CONNECTOR**

(75) Inventor: **Richard Hoenig**, Weare, NH (US)

(73) Assignee: **Vital Signs, Inc.**, Totawa, NJ (US)

(**) Term: **14 Years**

(21) Appl. No.: **29/140,018**

(22) Filed: **Apr. 11, 2001**

(51) **LOC (7) Cl.** **23-01**

(52) **U.S. Cl.** **D23/259; D23/262**

(58) **Field of Search** **D23/259-262;**
285/136.1, 148.22, 148.23

(56) **References Cited**

U.S. PATENT DOCUMENTS

1,908,821	A	*	5/1933	Cornell	285/136.1
3,873,391	A	*	3/1975	Plauka et al.	285/136.1
4,703,956	A	*	11/1987	Keech	285/136.1
D309,007	S	*	7/1990	Tyson	D23/262

* cited by examiner

Primary Examiner—Robin V. Taylor

(74) *Attorney, Agent, or Firm*—R. Gale Rhodes, Jr.

(57) **CLAIM**

I claim the ornamental design for the fluid connector, as shown and described.

DESCRIPTION

FIG. 1 is a first perspective view taken from a first end of a fluid connector showing my new design;

FIG. 2 is a second perspective view taken from a second end thereof;

FIG. 3 is a third perspective view taken from the same end as FIG. 2 but rotated with respect to FIG. 2;

FIG. 4 is an elevational side view thereof;

FIG. 5 is a top view thereof;

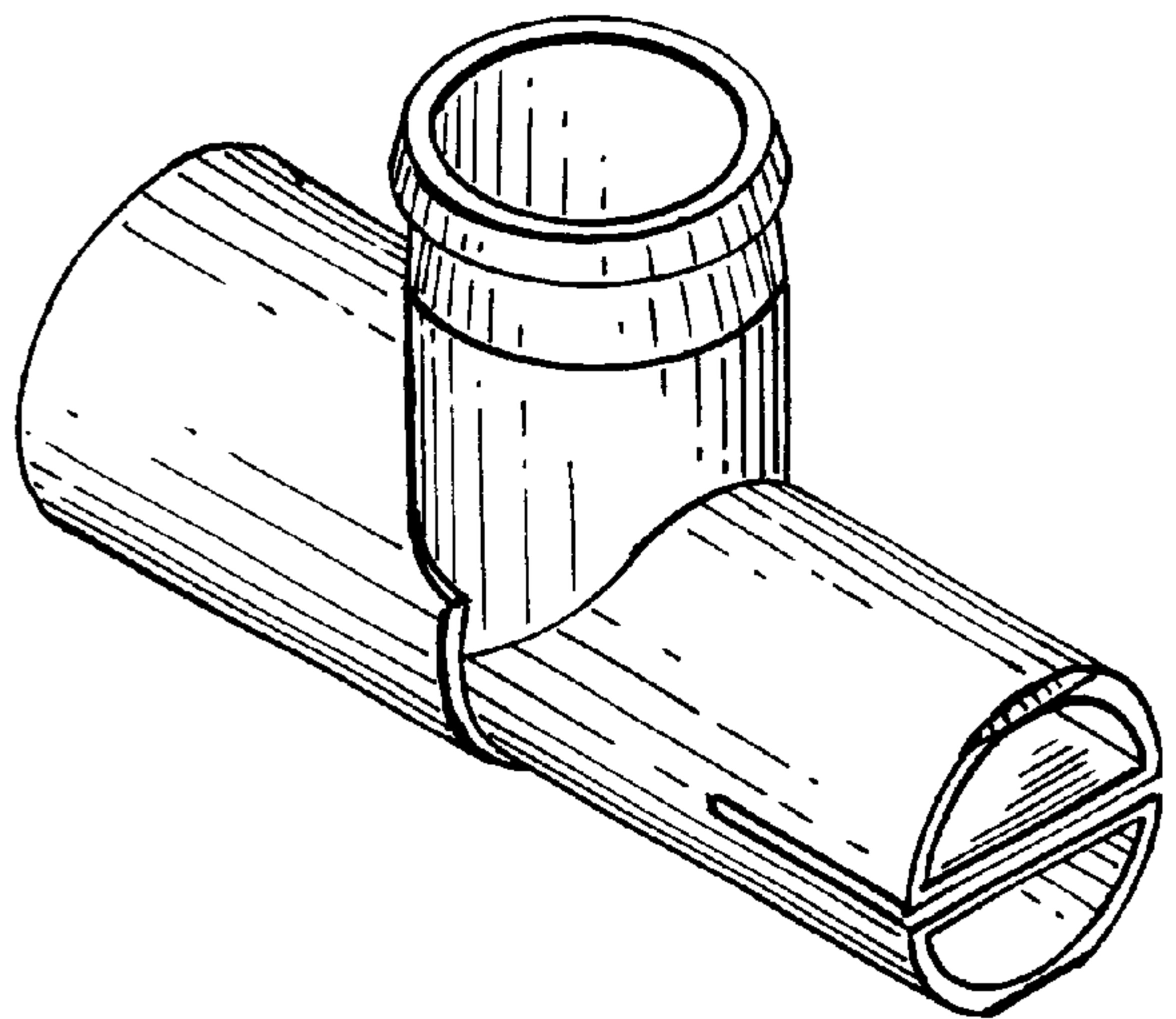
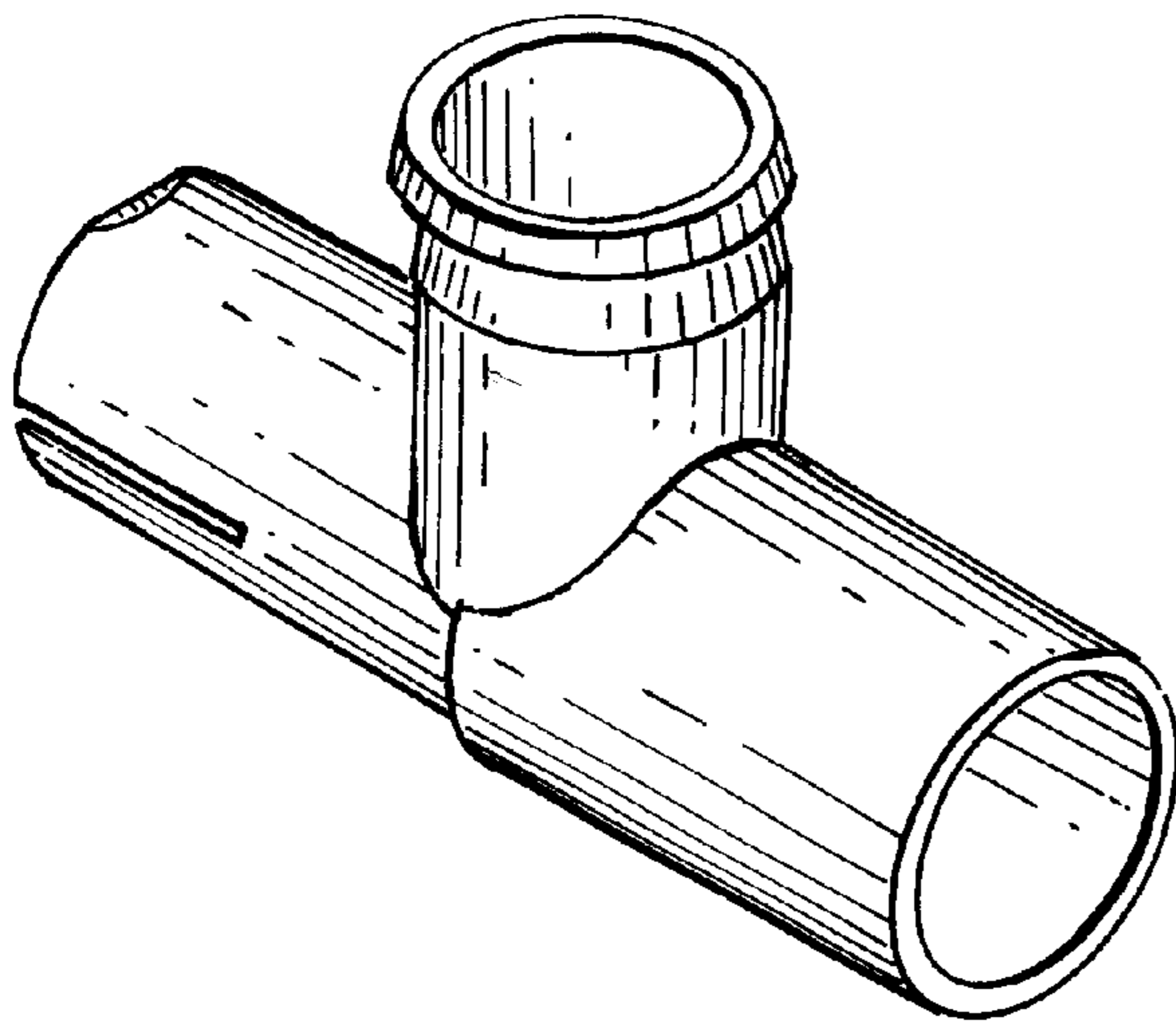
FIG. 6 is a bottom view thereof;

FIG. 7 is a left end view thereof;

FIG. 8 is a right end view thereof; and,

FIG. 9 is a rear view thereof.

1 Claim, 2 Drawing Sheets



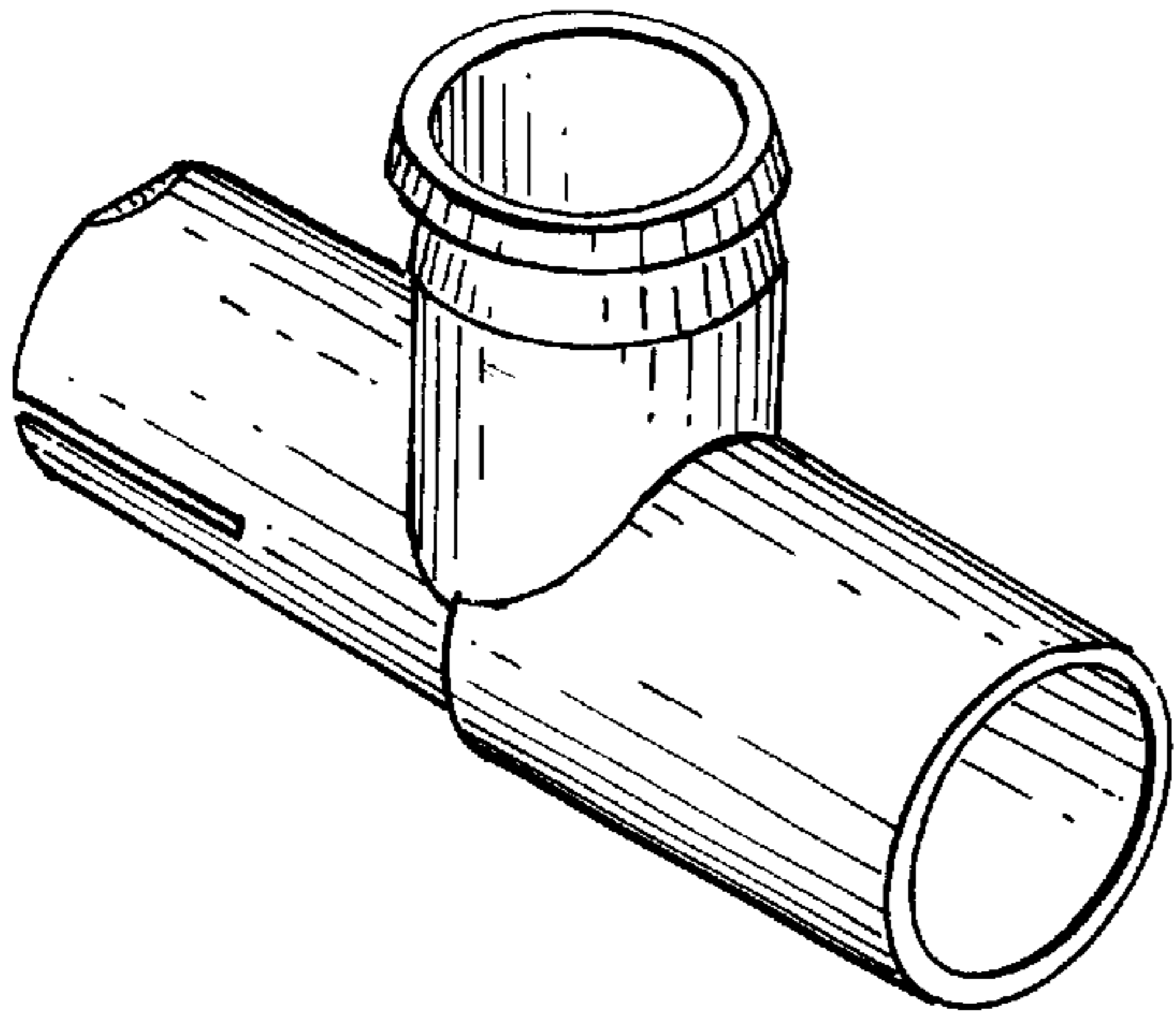


FIG. 1

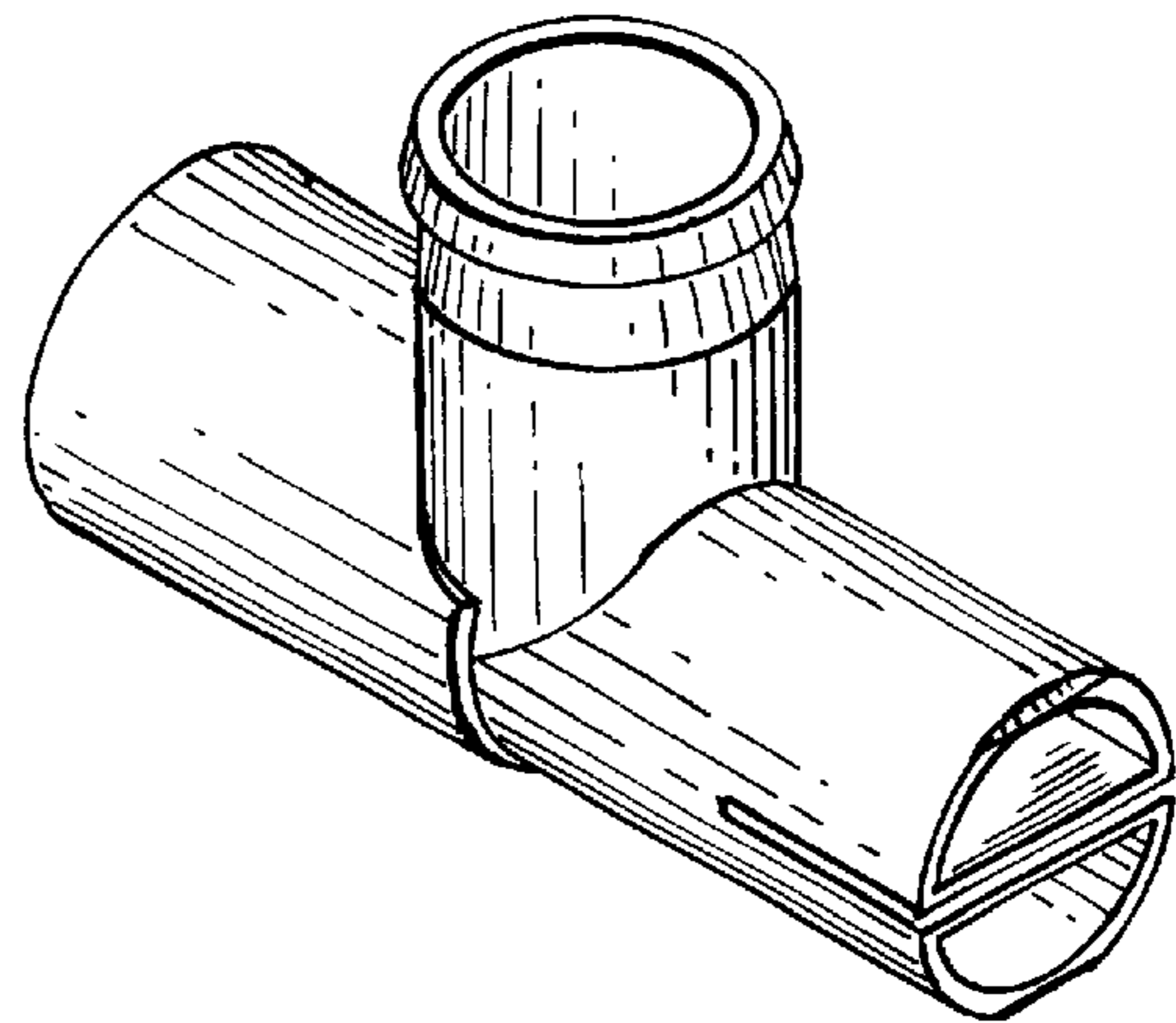


FIG. 2

FIG. 3

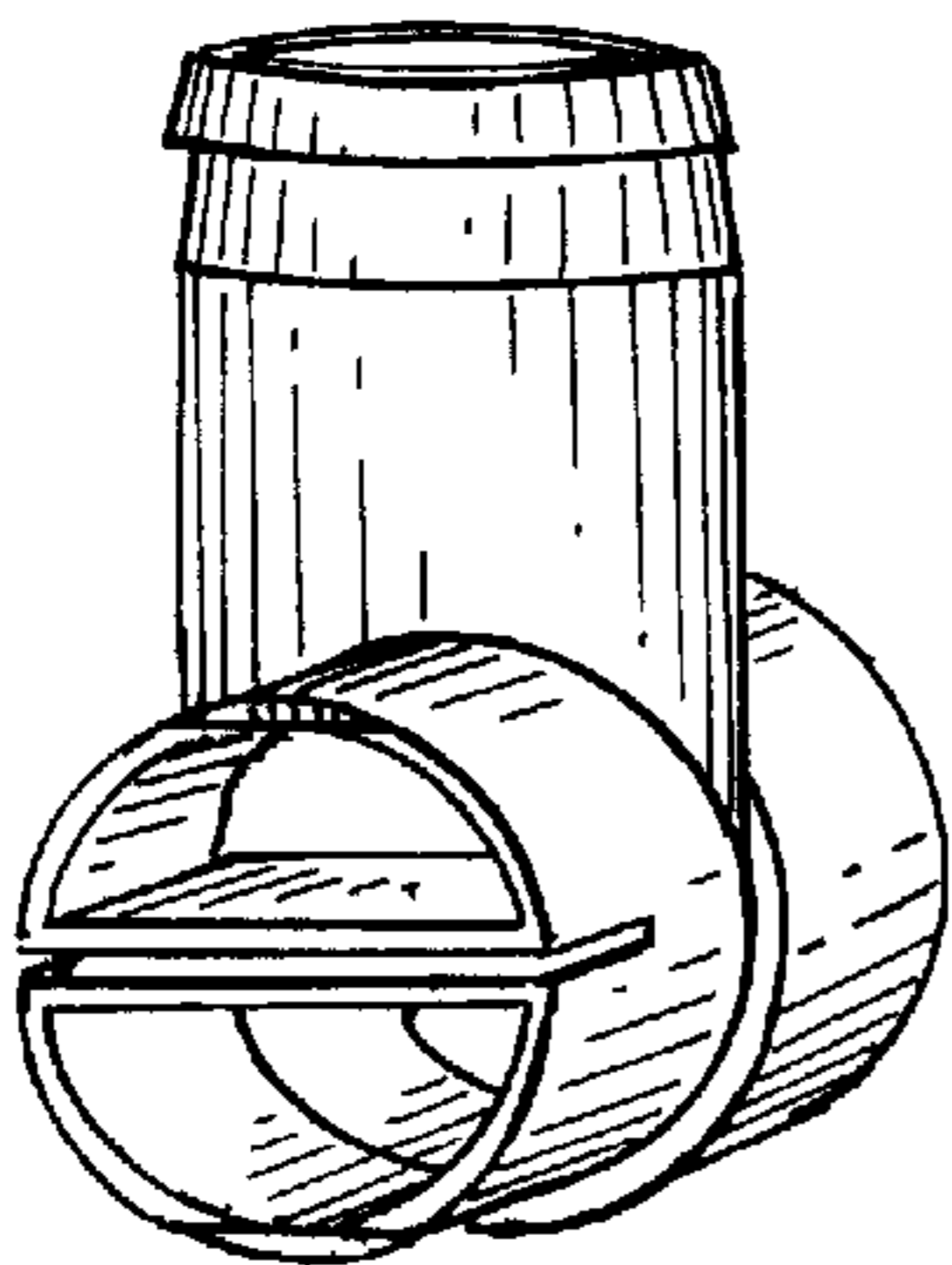


FIG. 4

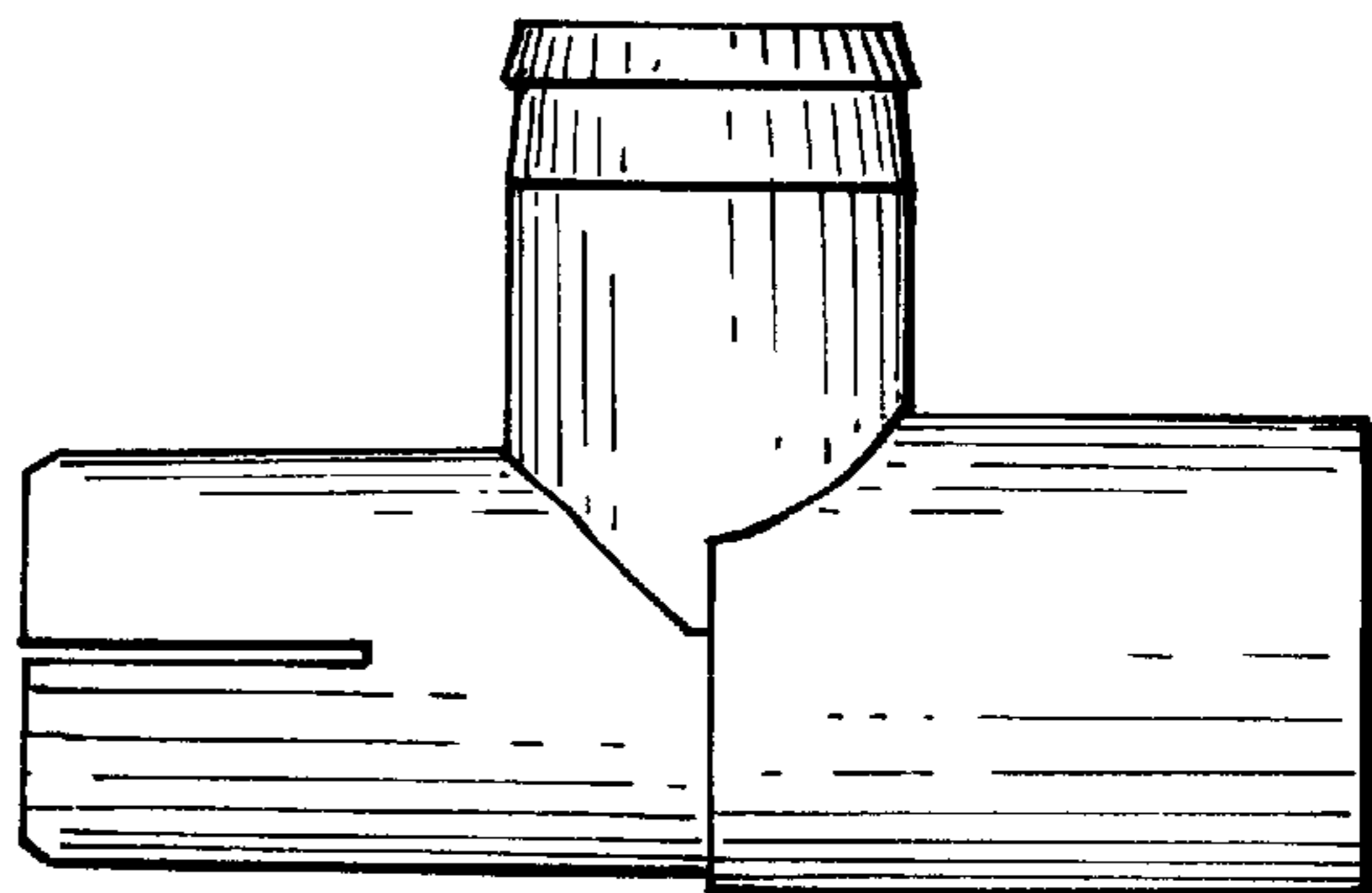


FIG. 5

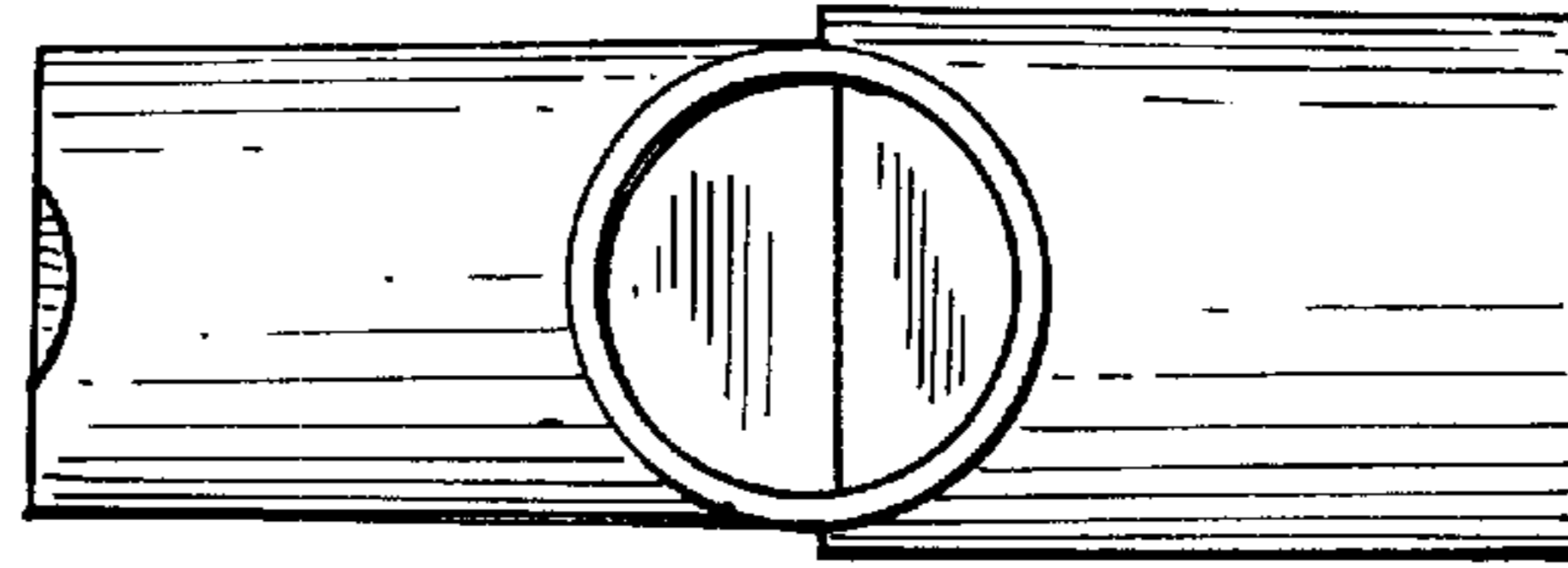


FIG. 6

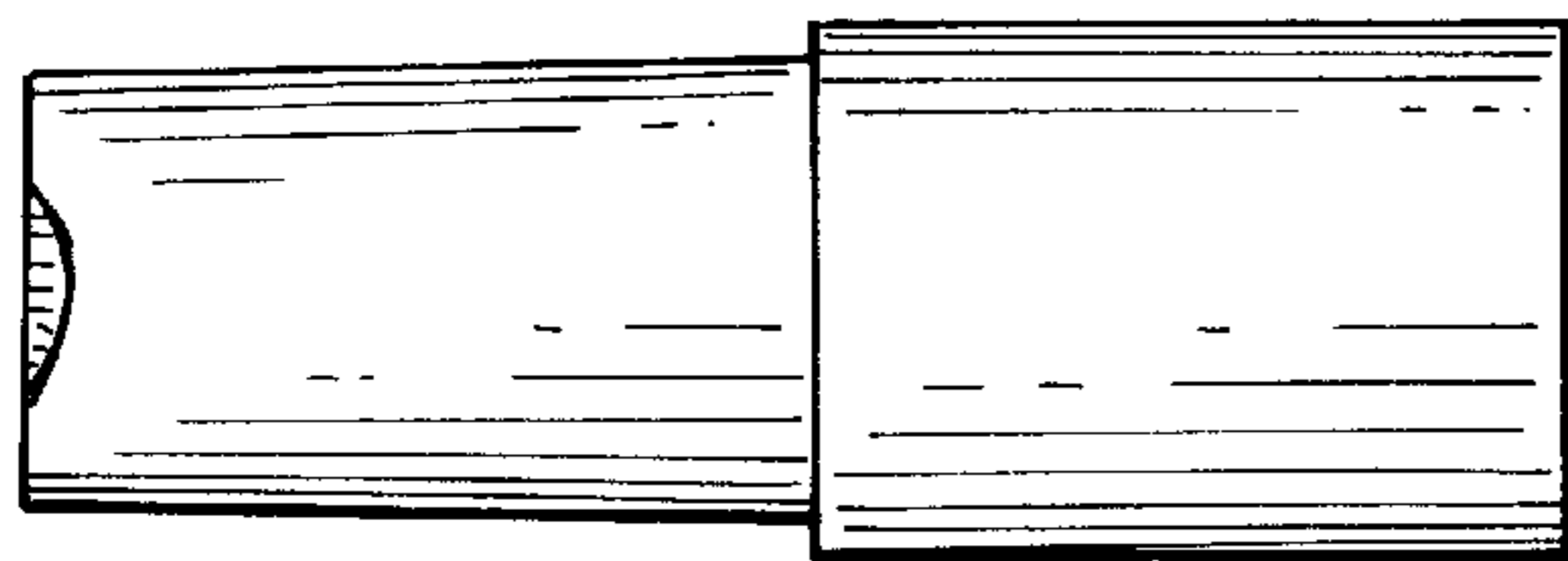


FIG. 7

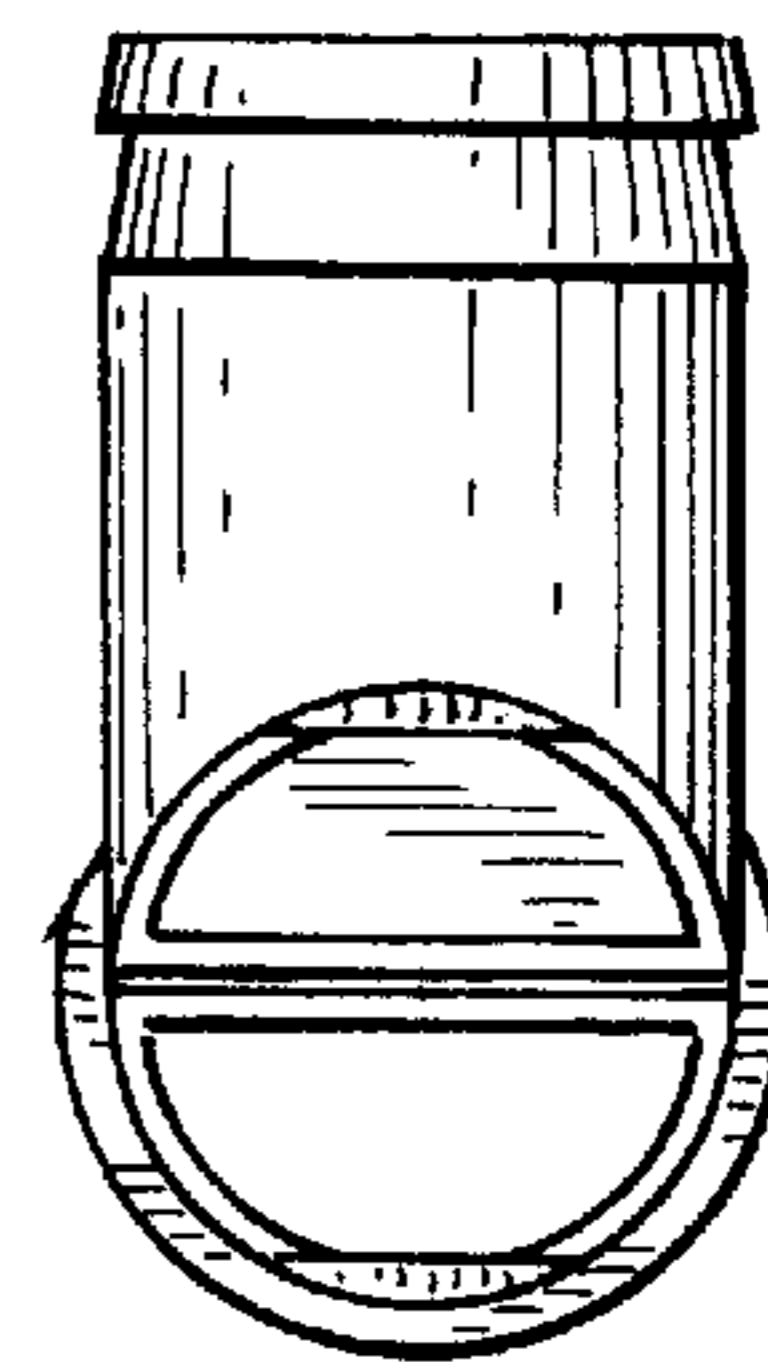


FIG. 8

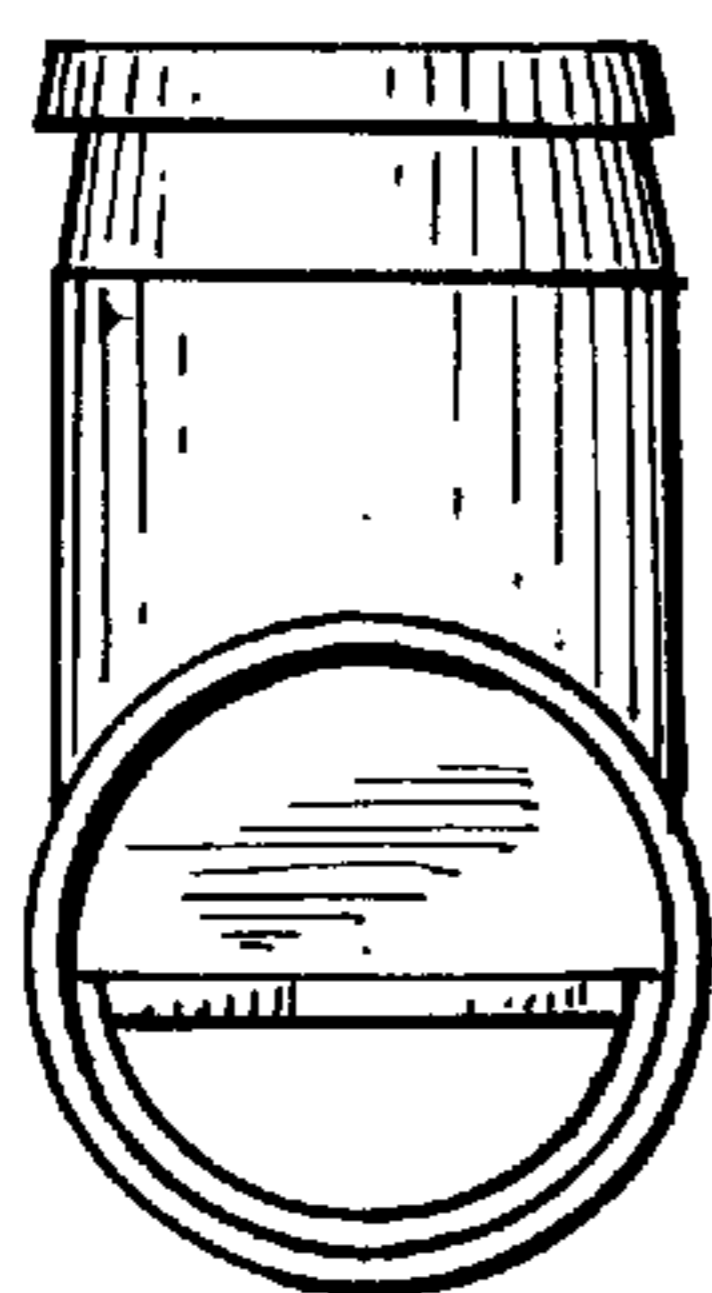


FIG. 9

