



US00D454939S

(12) **United States Design Patent**
Adams

(10) **Patent No.:** **US D454,939 S**
(45) **Date of Patent:** **** Mar. 26, 2002**

(54) **VALVE CASTING**

(76) Inventor: **Don L. Adams**, P.O. Drawer T, Tulia,
TX (US) 79088

(**) Term: **14 Years**

(21) Appl. No.: **29/135,933**

(22) Filed: **Jan. 25, 2001**

(51) **LOC (7) Cl.** **23-01**

(52) **U.S. Cl.** **D23/245; D23/244**

(58) **Field of Search** **D23/233-236,**
D23/244-5; 137/883, 886-7; 251/305

(56) **References Cited**

U.S. PATENT DOCUMENTS

D25,720 S *	6/1896	Lunken	D23/244
3,398,763 A *	8/1968	Richards	137/553
D344,785 S *	3/1994	Brown et al.	D23/245
D370,054 S *	5/1996	Nakadaira et al.	D23/245

* cited by examiner

Primary Examiner—Robin V. Taylor

(74) *Attorney, Agent, or Firm*—Daniel V. Thompson

(57) **CLAIM**

The ornamental design for a valve casting, as shown and described.

DESCRIPTION

FIG. 1 is a perspective view;

FIG. 2 is a front view;

FIG. 3 is a back view;

FIG. 4 is a side view;

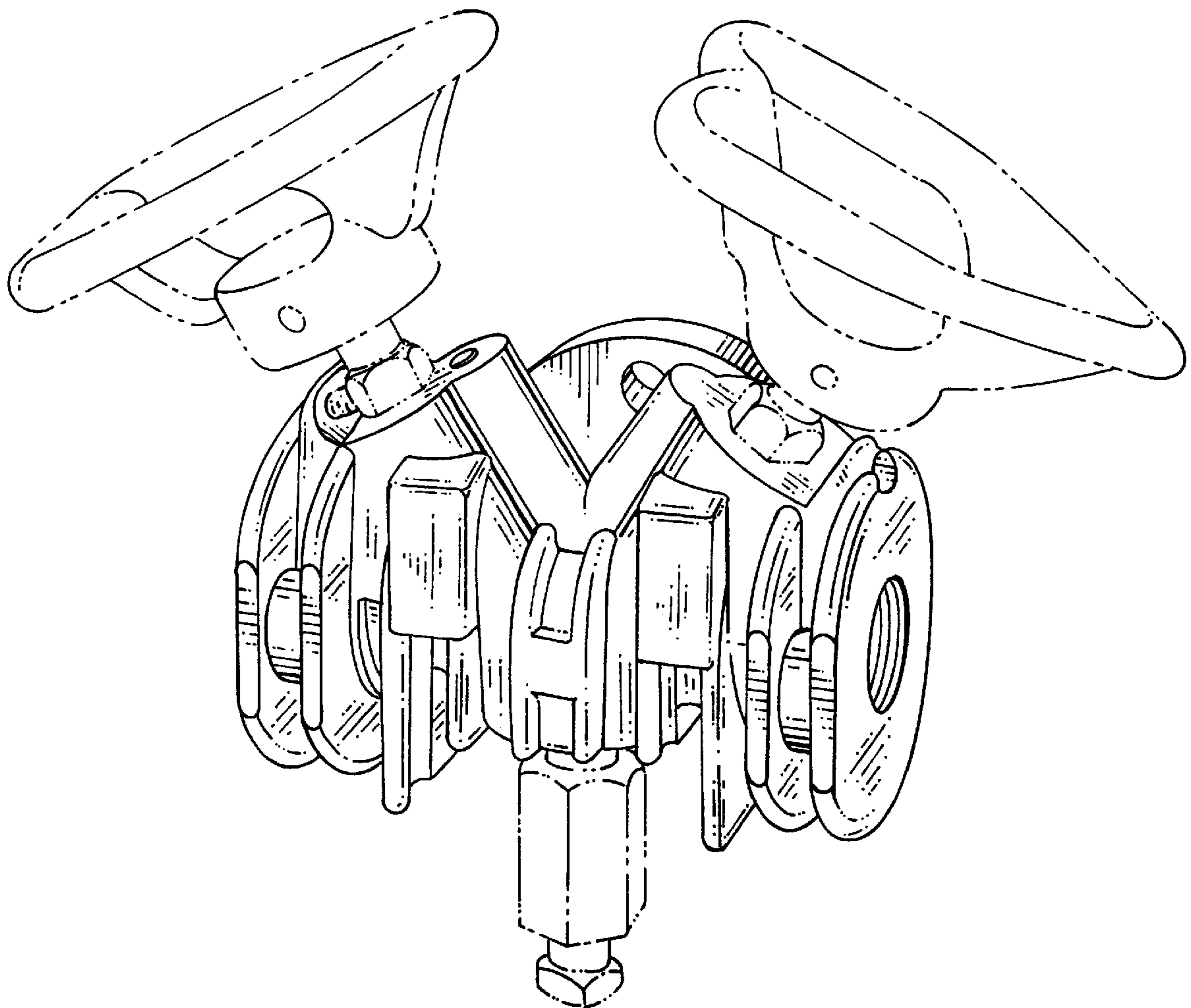
FIG. 5 is a side view similar to FIG. 4 except rotated 180 degrees;

FIG. 6 is a top view; and,

FIG. 7 is a bottom view.

The broken line showing is for illustrative purposes only and forms no part of the claimed design.

1 Claim, 5 Drawing Sheets



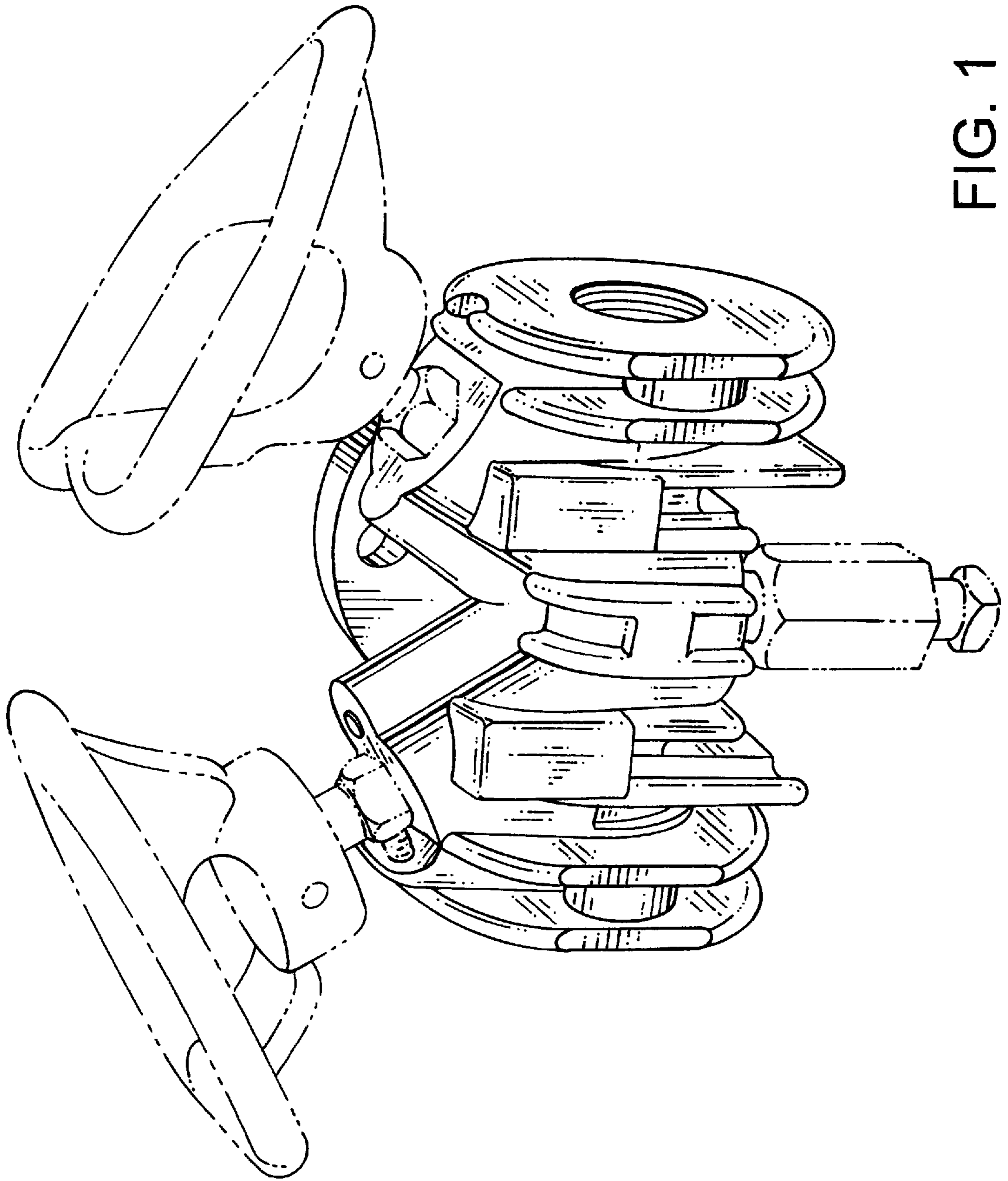


FIG. 1

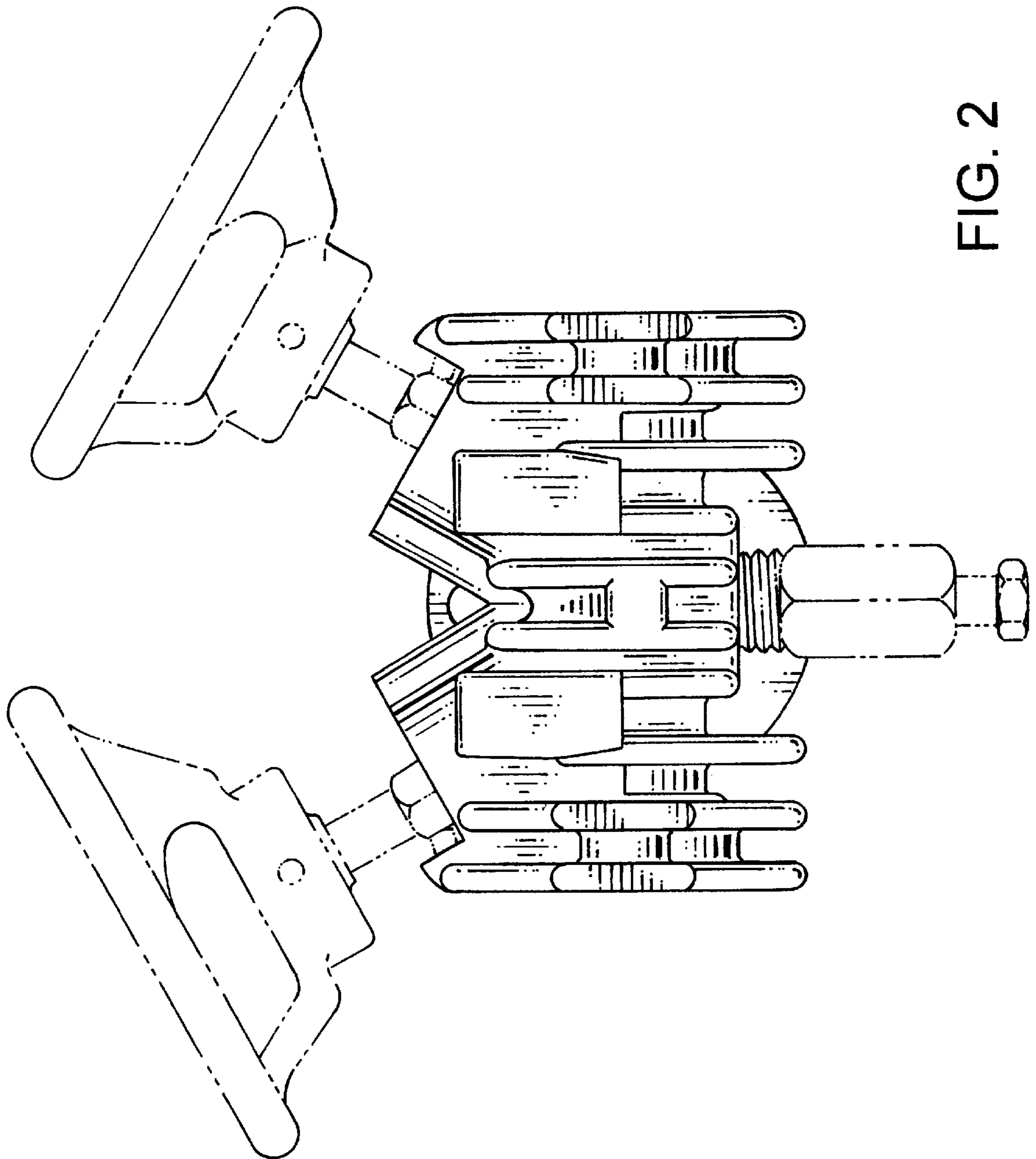


FIG. 2

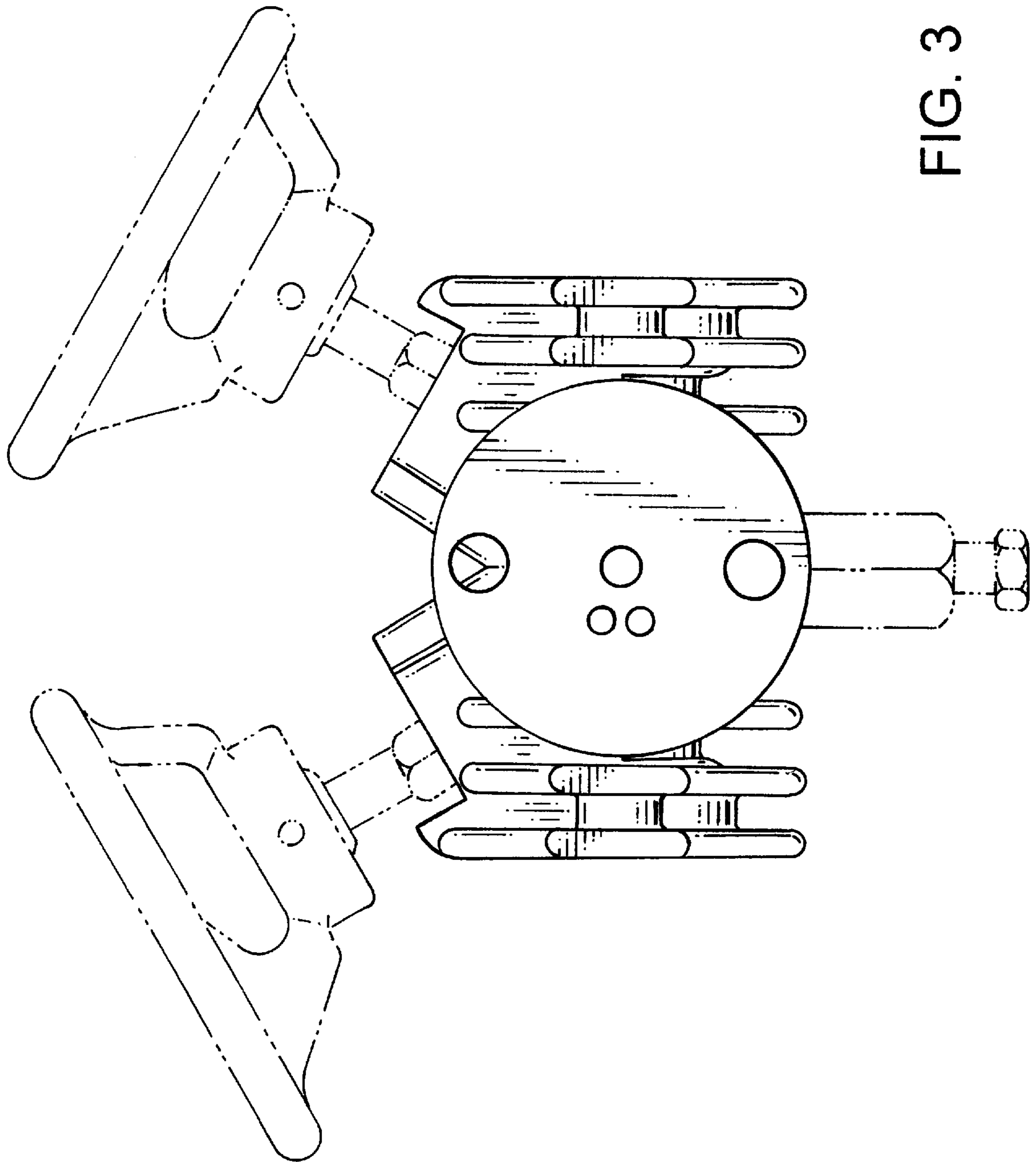


FIG. 3

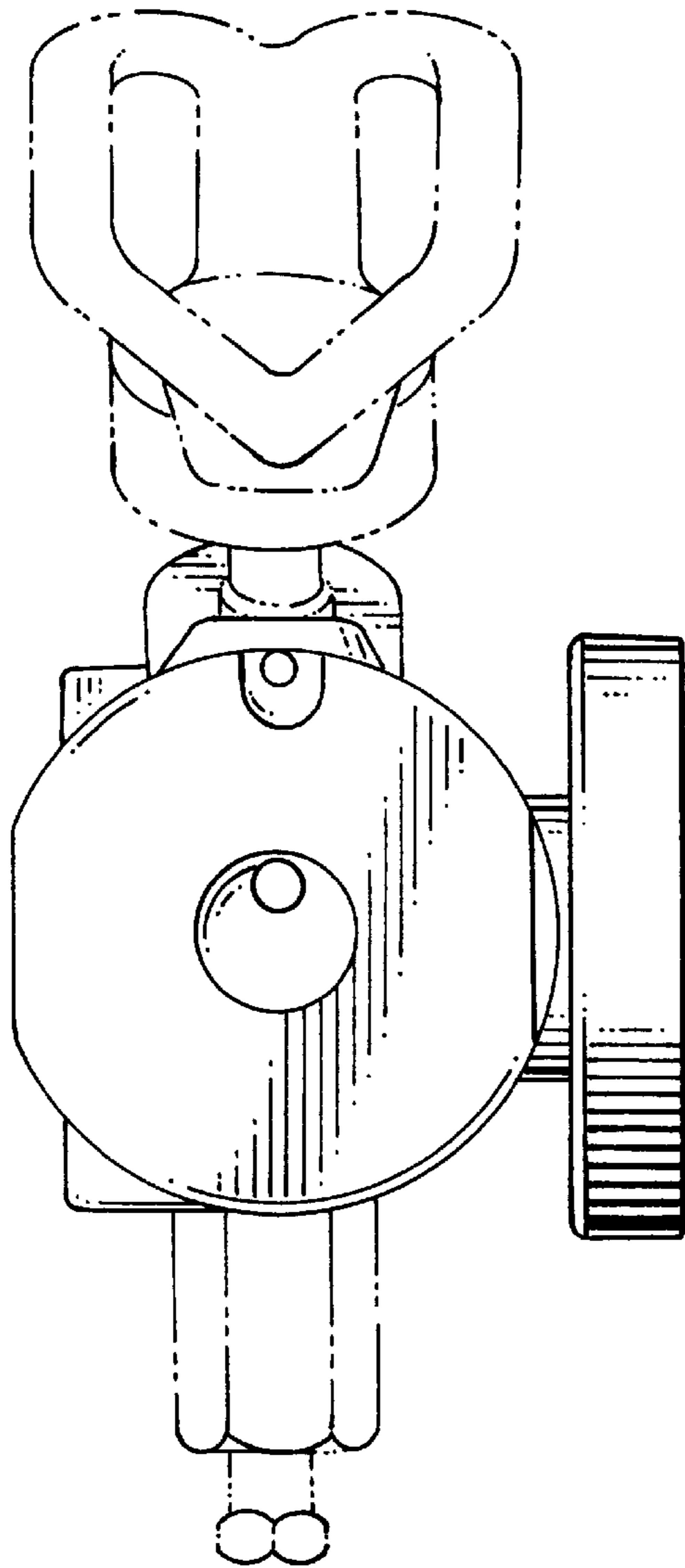


FIG. 4

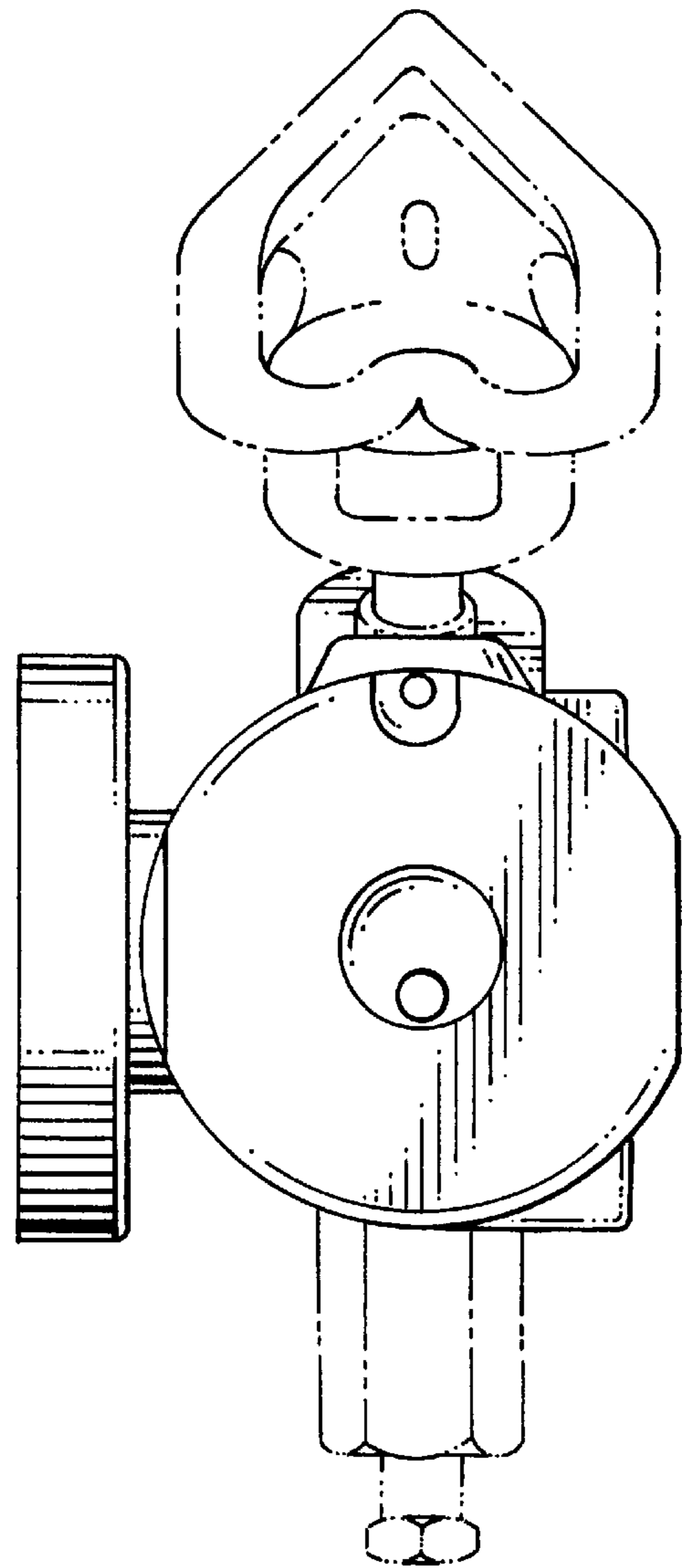


FIG. 5

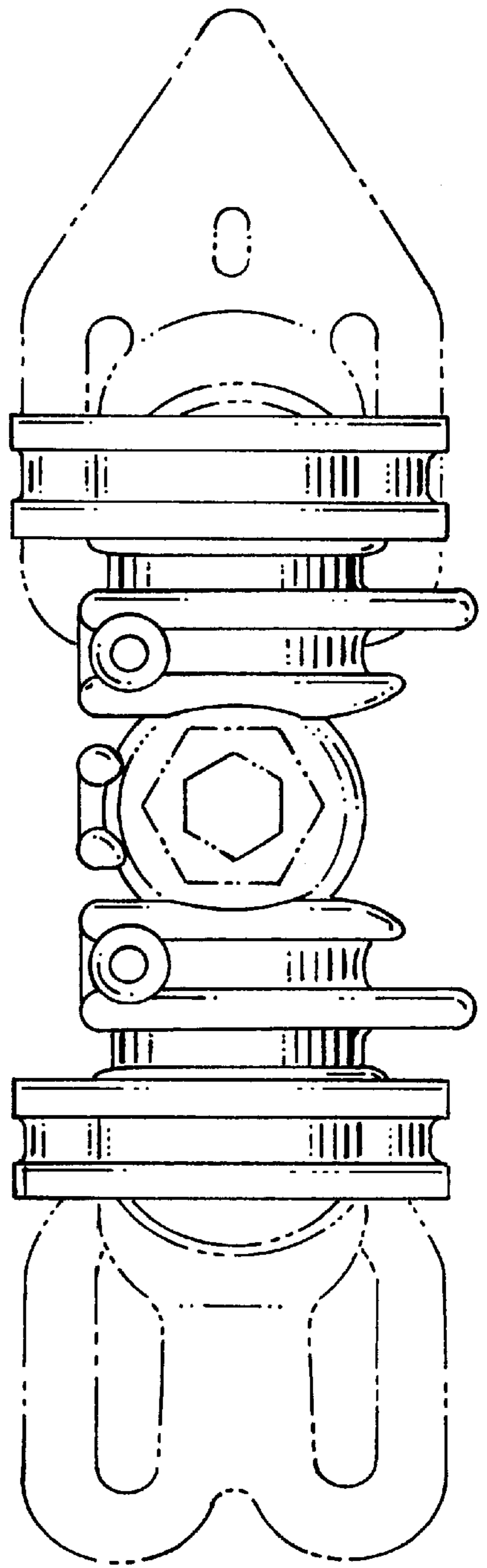
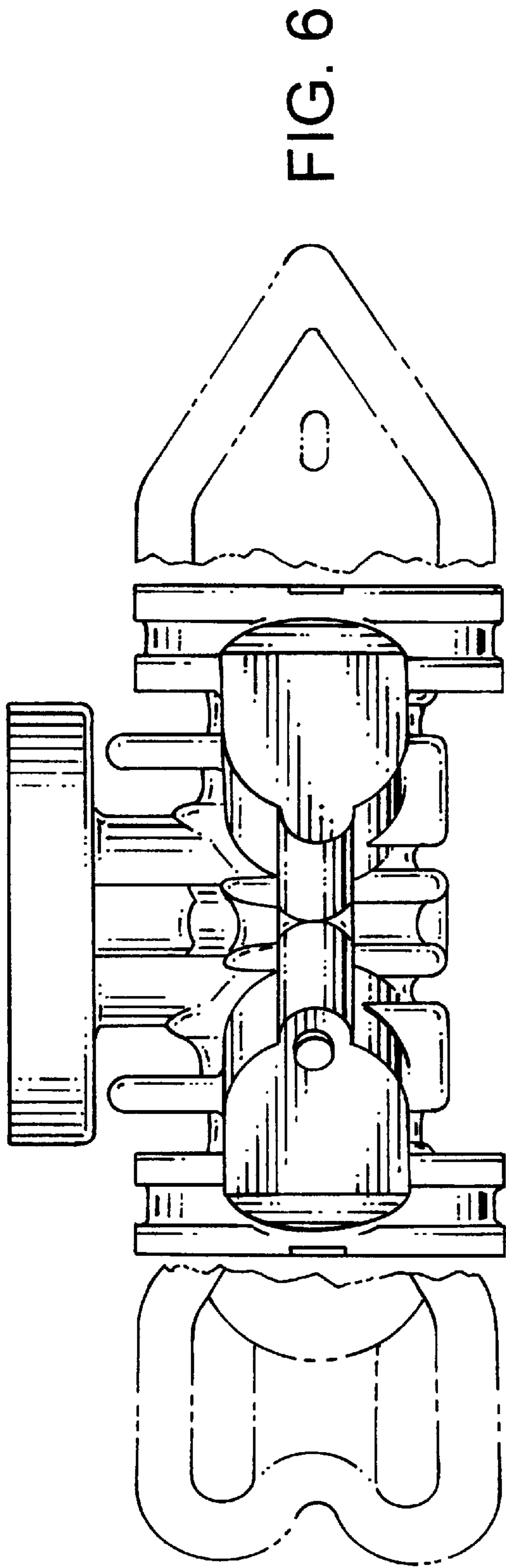


FIG. 7